

[54] SUNGLASSES

4,934,807 6/1990 Bolle et al. 351/118

[75] Inventor: **Werner E. Grau,**
Friedberg-Haberskirch, Fed. Rep. of
Germany

[73] Assignee: **Uvex Winter Optical, Inc.,**
Smithfield, R.I.

[**] Term: **14 Years**

[21] Appl. No.: **445,981**

[22] Filed: **Dec. 1, 1989**

[52] U.S. Cl. **D16/112**

[58] Field of Search **D16/102, 103, 111, 112,**
D16/116, 117, 119, 125, 127; 351/41, 44, 49, 62,
118; 2/436, 439, 440, 446, 447, 448

[56] **References Cited**

U.S. PATENT DOCUMENTS

D. 285,020	8/1986	Schmidthaler	D16/102
D. 289,301	4/1987	Jannard	D16/116
4,306,779	12/1981	Rege	2/448
4,670,915	6/1987	Evans	351/118

OTHER PUBLICATIONS

Hong Kong Enterprise, Jul. 1988, p. 150, #1, (Spectacles Digest).

American Bicyclist & Motorist, Mar. 1988, #1, (Spectacles Digest), p. 39.

Primary Examiner—Bernard Ansher

Assistant Examiner—R. Barkai

Attorney, Agent, or Firm—Salter & Michaelson

[57] **CLAIM**

The ornamental design for sunglasses, as shown and described.

DESCRIPTION

FIG. 1 is a perspective view of sunglasses showing my new design;

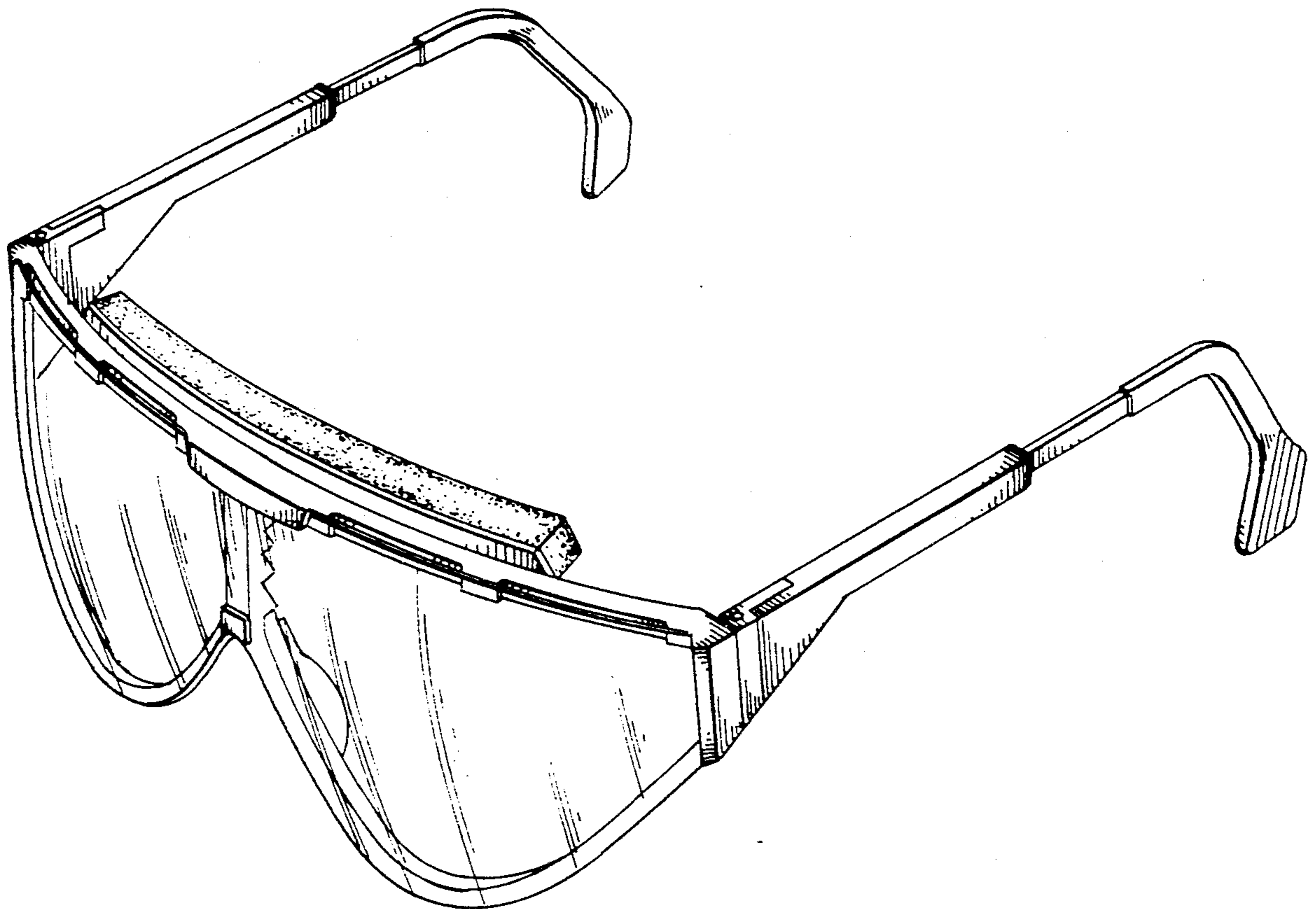
FIG. 2 is a front elevational view thereof;

FIG. 3 is a side elevational view thereof, the other side being a mirror image thereof;

FIG. 4 is a rear elevational view thereof;

FIG. 5 is a top plan view thereof; and

FIG. 6 is a bottom plan view thereof.



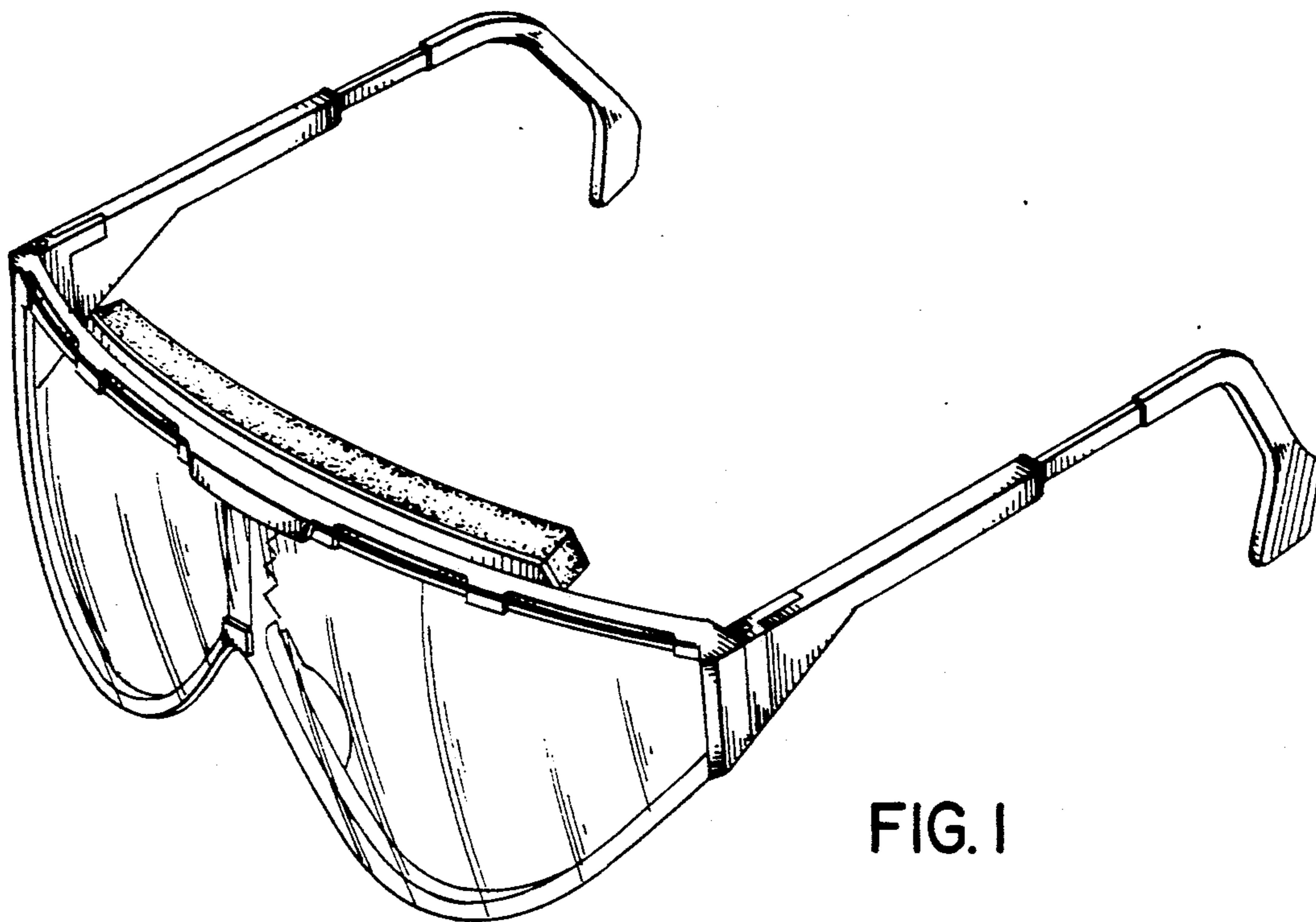


FIG. 1

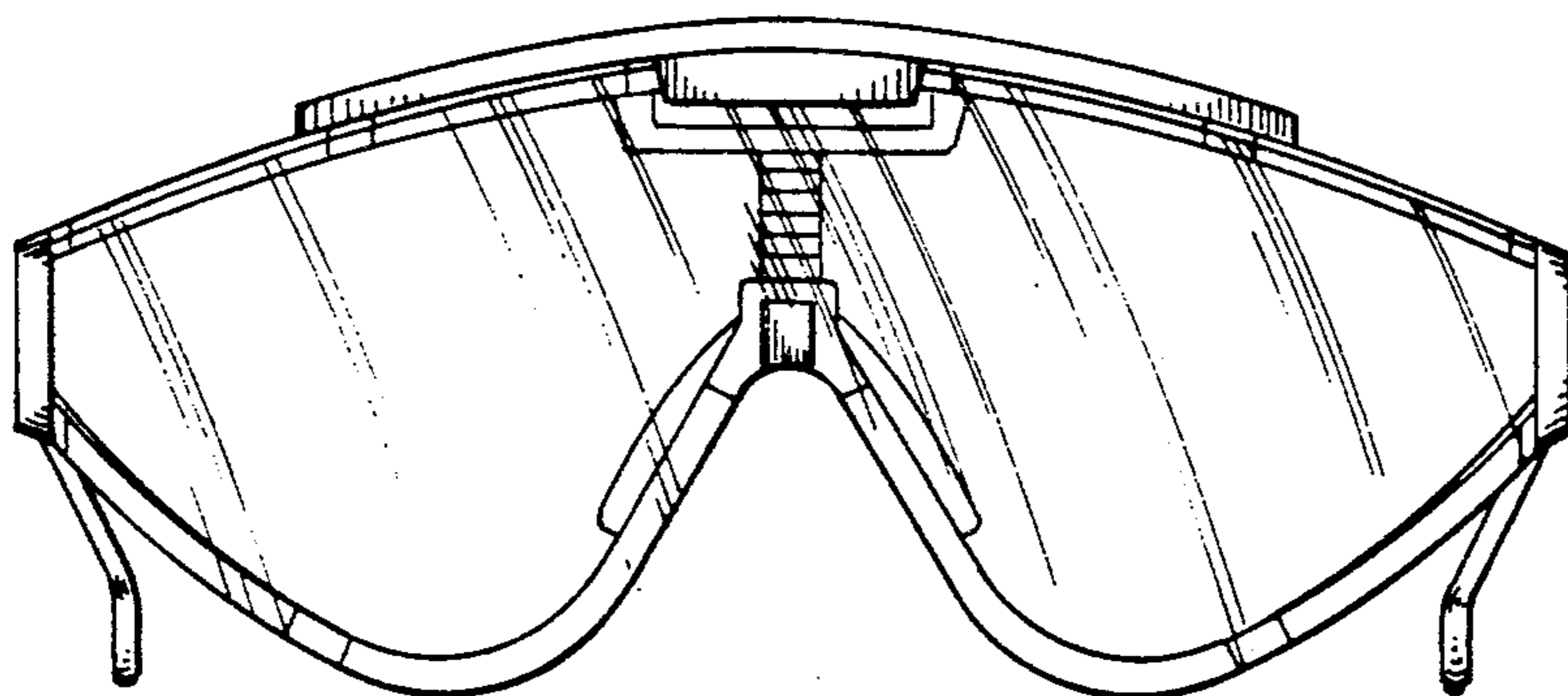


FIG. 2

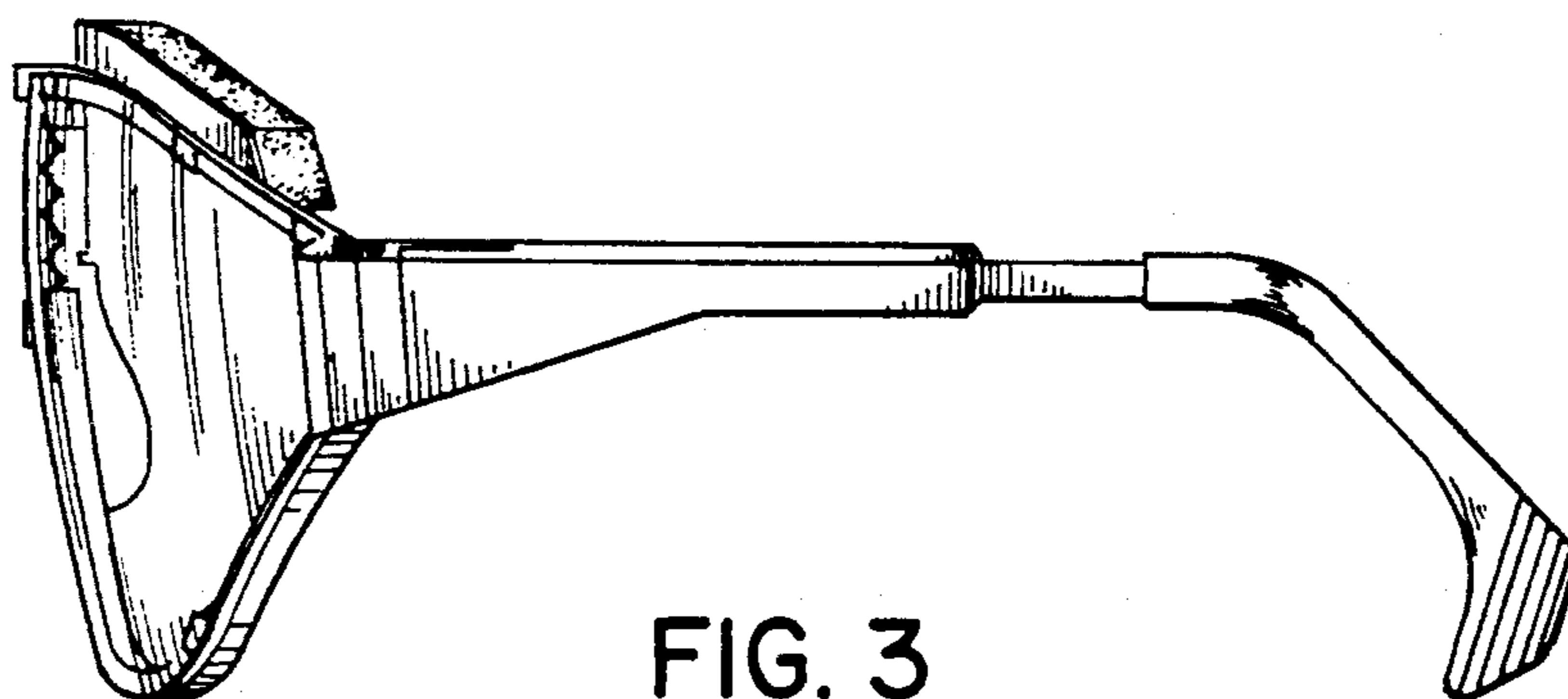


FIG. 3

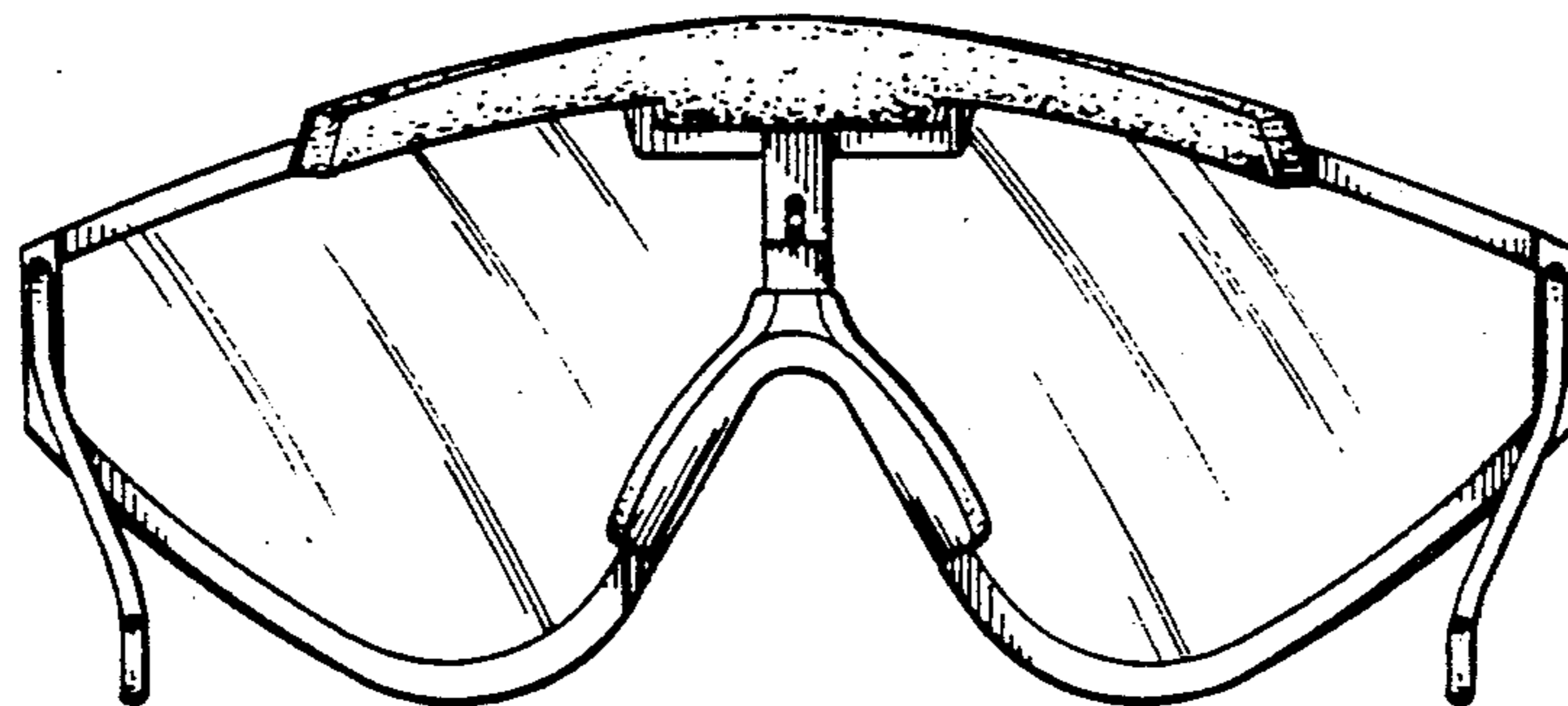


FIG. 4

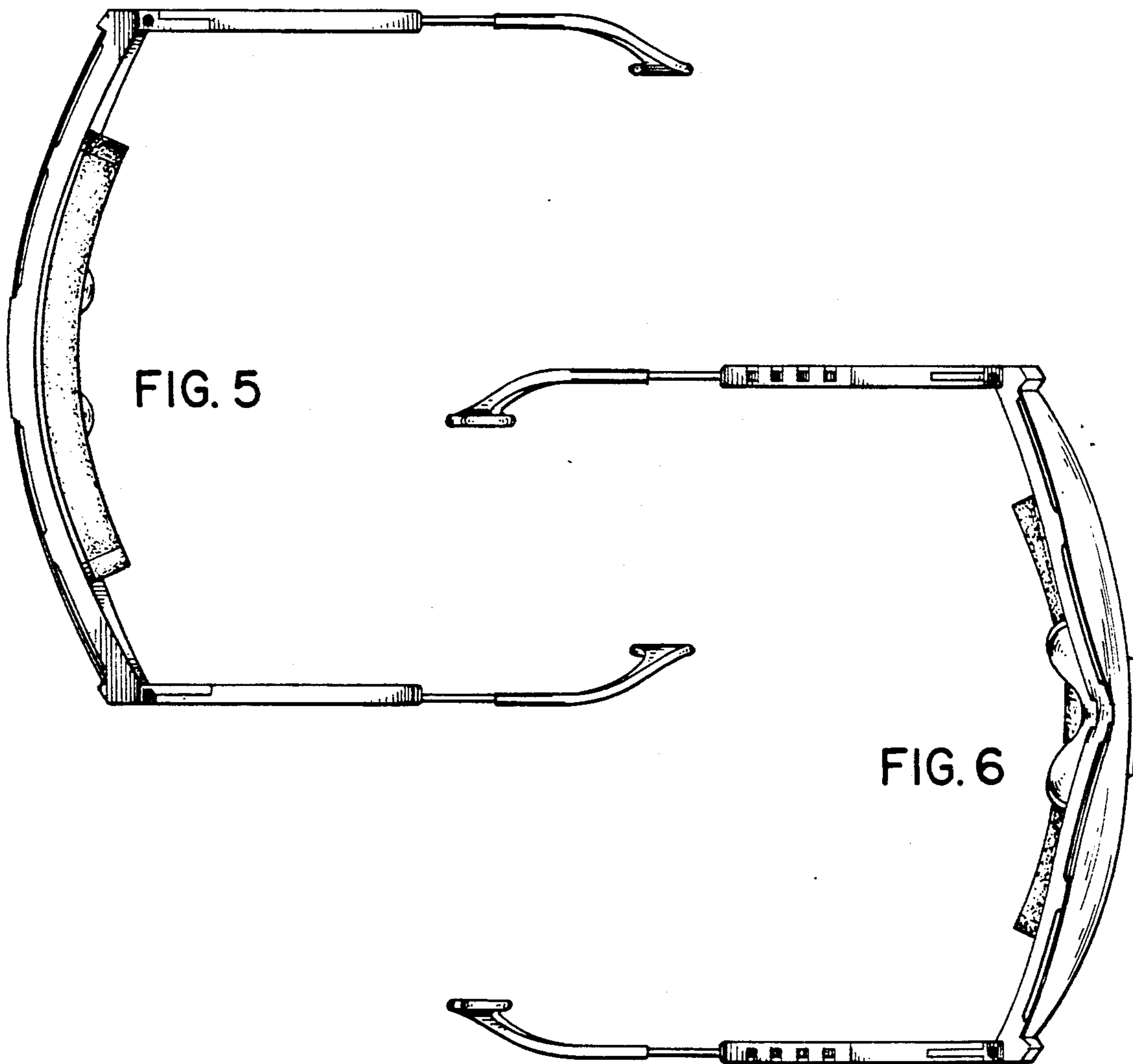


FIG. 5

FIG. 6