

[54] BASE FOR ROTARY ARC RAM

[76] Inventors: John F. Riera, 3689 Sandburg Dr., Troy, Mich. 48084; Billy J. Bielawski, Sr., 2270 Flanders Dr., Rochester Hills; John J. Pavelec, 413 Dalton, Rochester, both of Mich. 48063

[**] Term: 14 Years

[21] Appl. No.: 263,558

[22] Filed: Oct. 24, 1988

[52] U.S. Cl. D15/141

[58] Field of Search D15/130, 131, 132, 122, D15/199, 138, 140, 141; 83/54, 310, 320, 285, 601; 709/224

[56] References Cited

U.S. PATENT DOCUMENTS

D. 31,751	10/1899	White	D15/141
D. 110,396	7/1938	Mathewson	D15/141
3,273,433	9/1966	Borzym	83/54
3,288,011	11/1966	Borzym	83/310
3,288,012	11/1966	Borzym	83/310
4,031,792	6/1977	Borzym et al.	83/601
4,288,706	10/1980	Borzym	83/320
4,354,409	10/1982	Riera et al.	83/285
4,629,378	12/1986	Parsons	409/224 X
4,781,089	11/1988	Gerger et al.	83/54 X

OTHER PUBLICATIONS

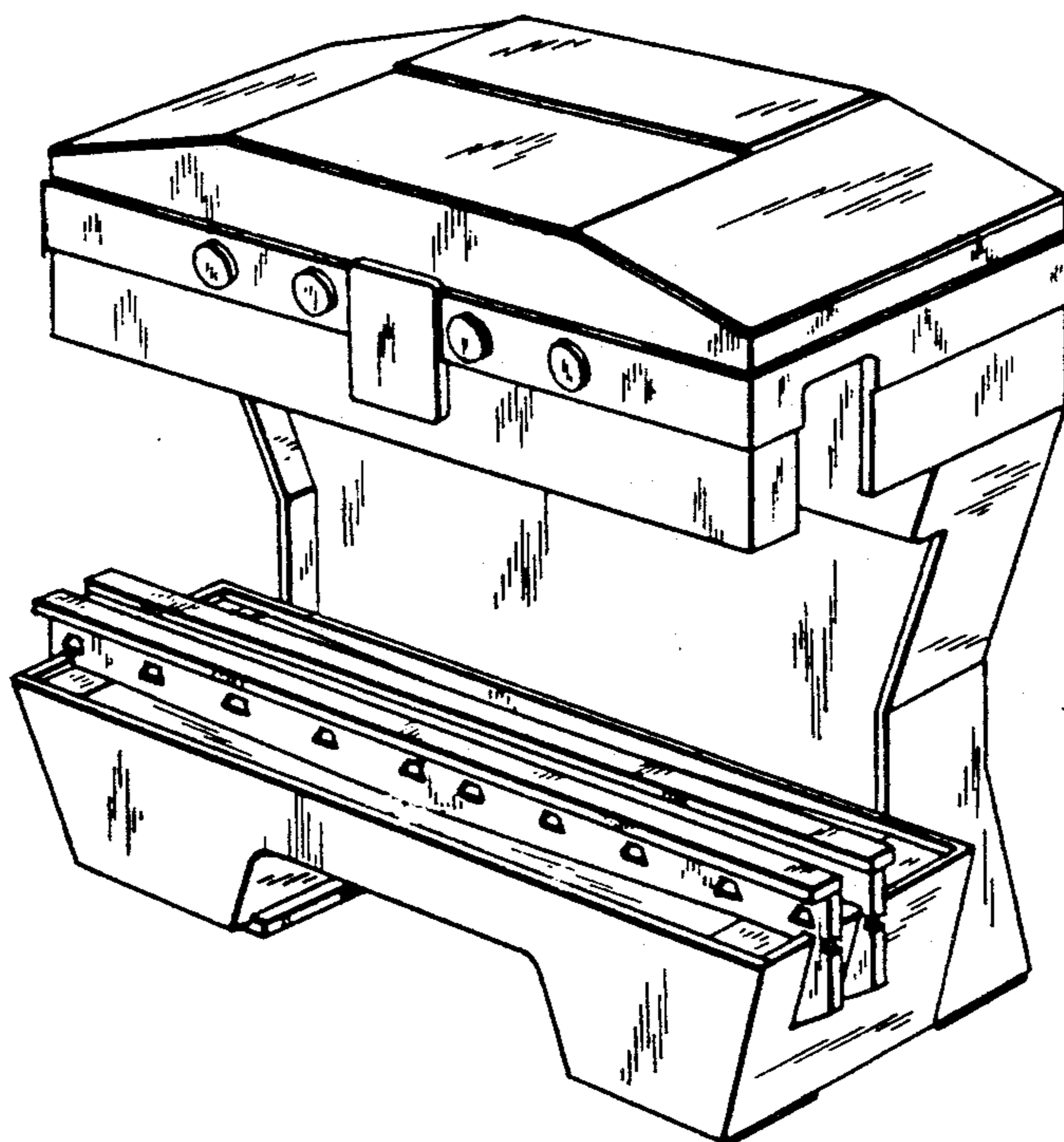
Betaram tube mill cutoff systems advertisement, two (2) pages, date unknown.
Betaram advertisement, one (1) page, taken from May/-Jun. 1986 issue of Fabricator.
Alpha Products, p. 19, date unknown.
Alpha Industries, Inc., a thirteen (13) page booklet, date unknown.
Cincinnati Milacron Catalog.
Primary Examiner—Bruce W. Dunkins
Assistant Examiner—Jeffrey Asch
Attorney, Agent, or Firm—Harness, Dickey & Pierce

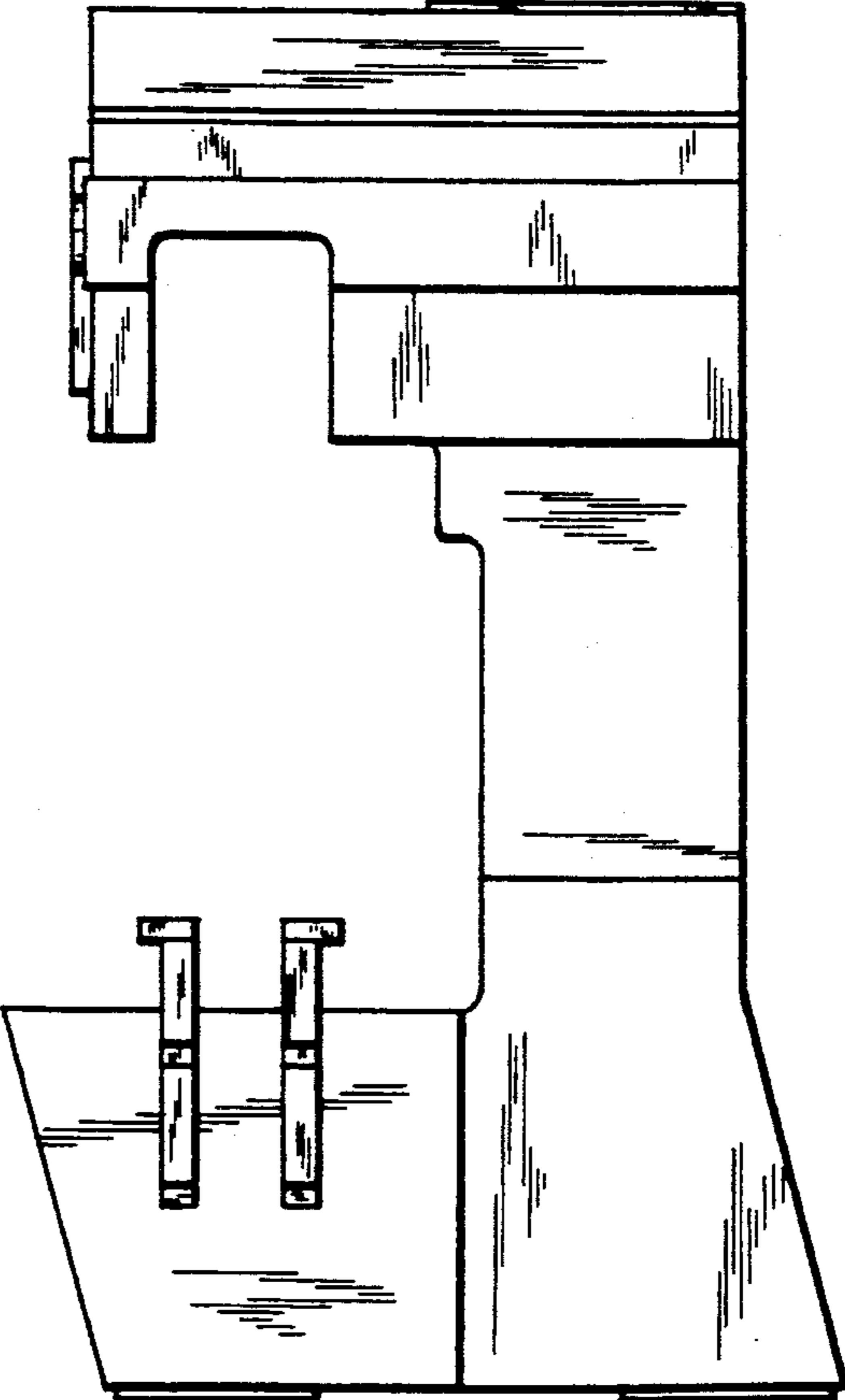
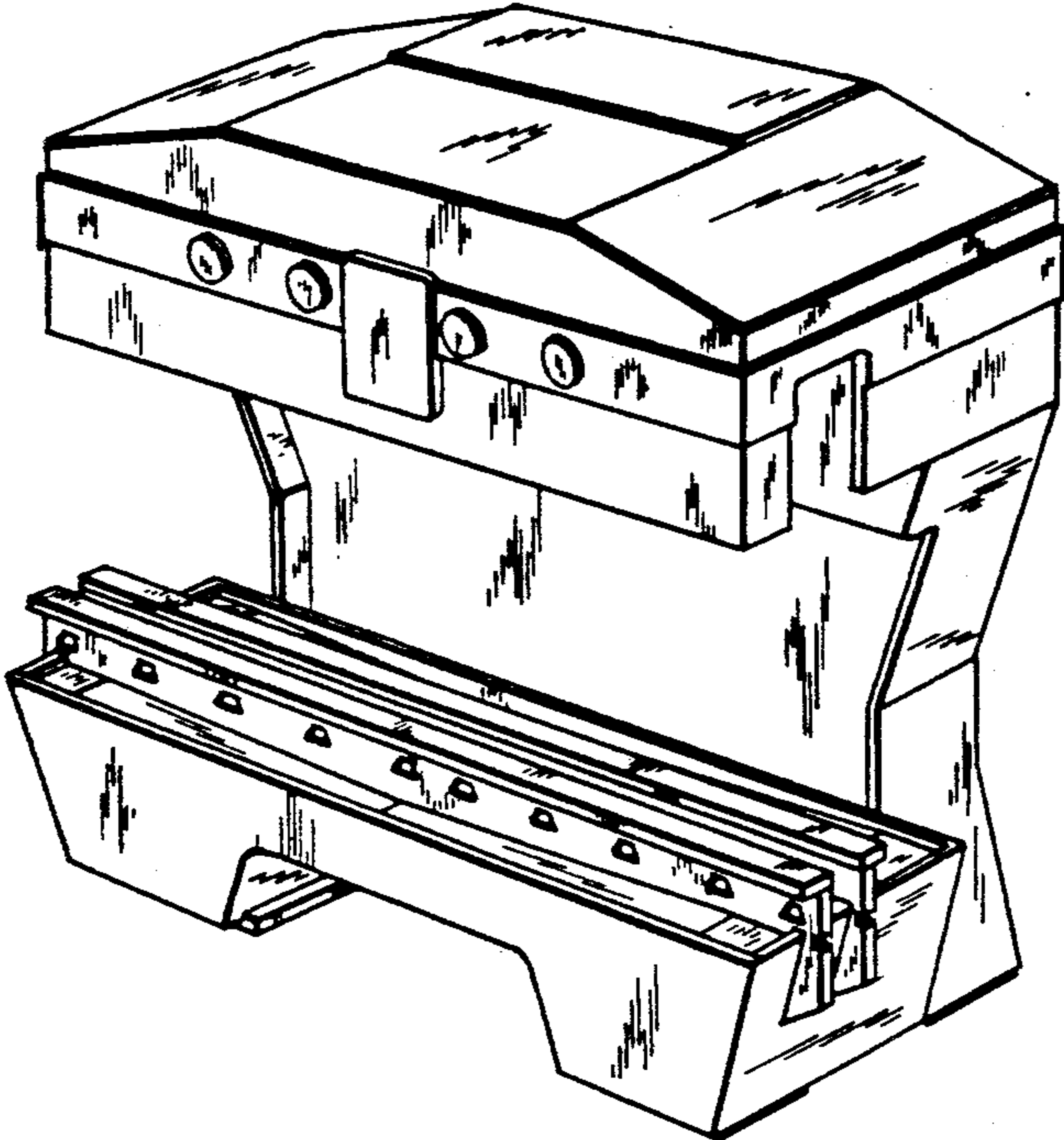
[57] CLAIM

The ornamental design for a base for a rotary arc ram, as shown and described.

DESCRIPTION

FIG. 1 is a perspective view of a base for a rotary arc ram showing our new design; FIG. 2 is a right side elevational view, the left side being a mirror image thereof; FIG. 3 is a top plan view; FIG. 4 is a front elevational view; and FIG. 5 is a rear elevational view thereof. The broken line disclosure in FIGS. 1 and 2 is for illustrative purposes only; and FIGS. 2-5 have been shown on an enlarged scale with respect to FIG. 1.





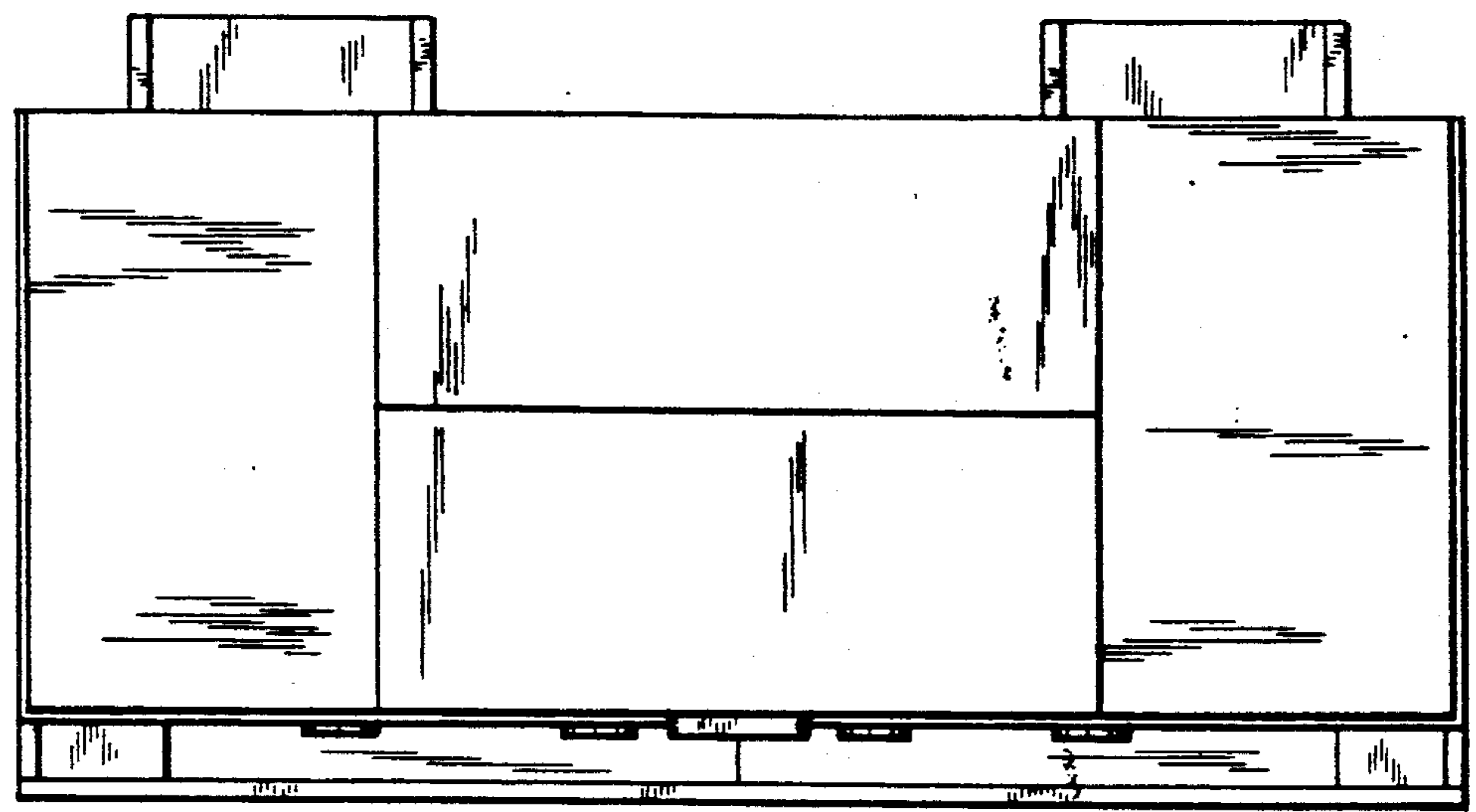
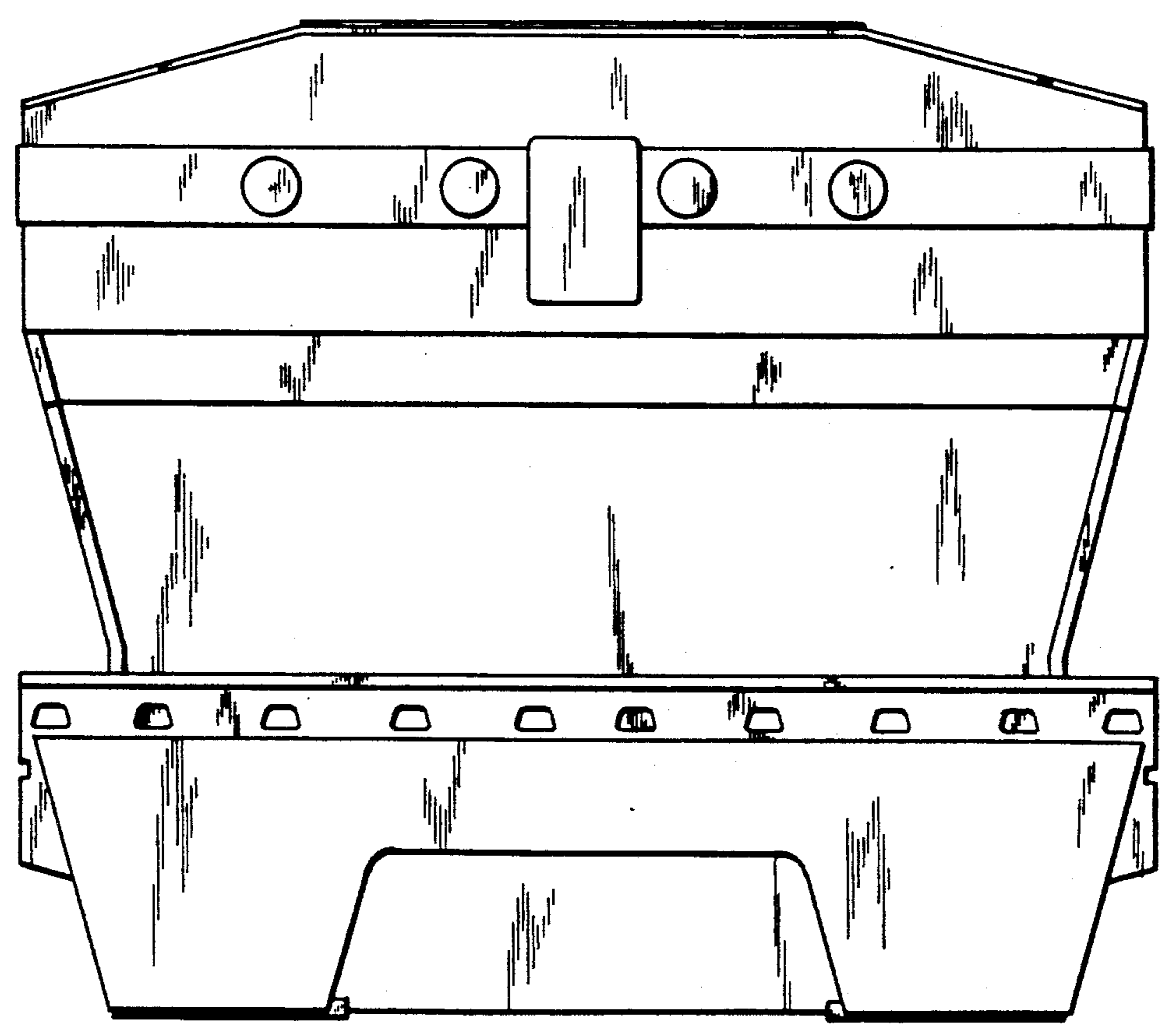


FIG. 3.

FIG. 4.



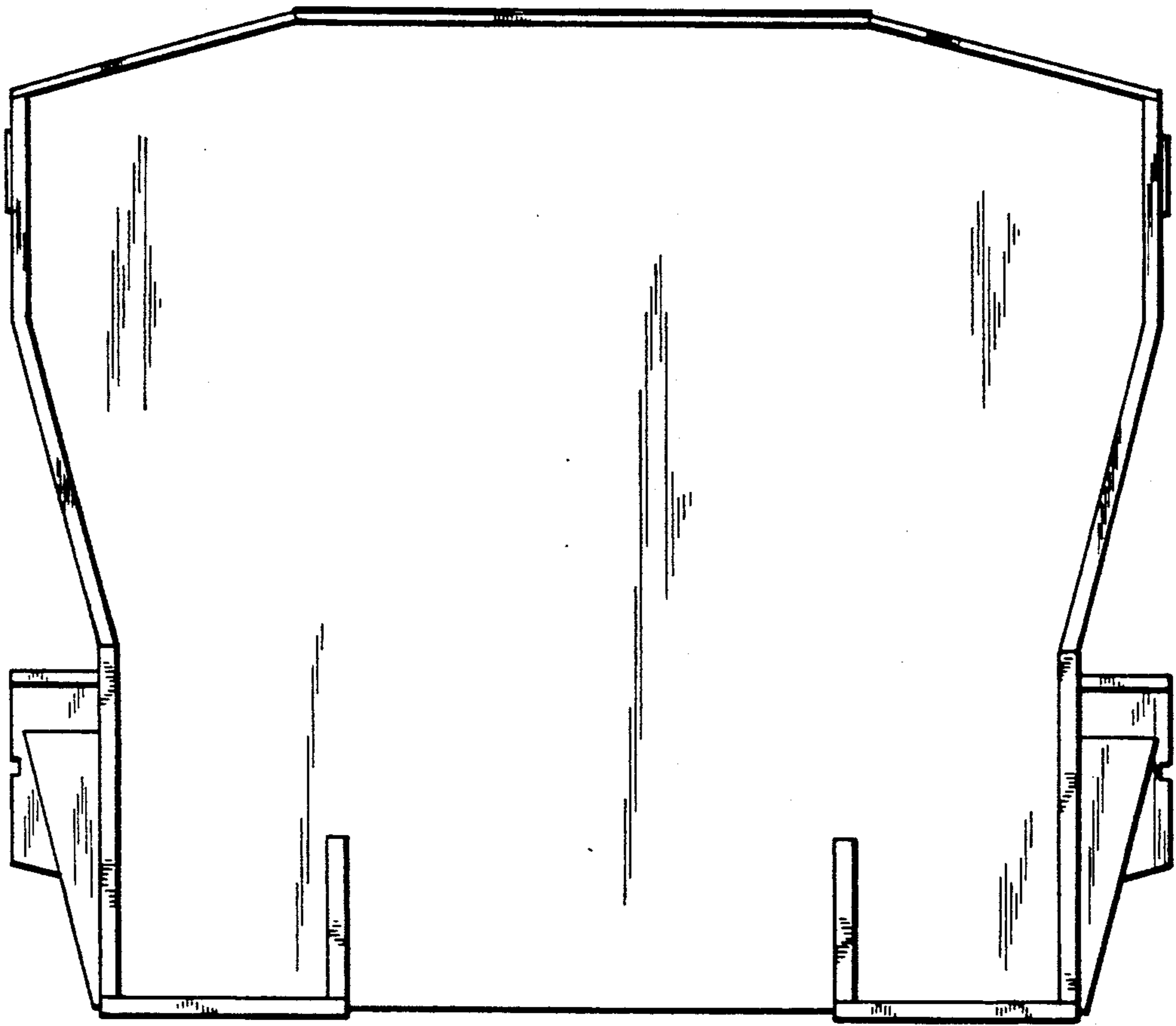


FIG. 5.