

[54] ICE CREAM MAKER

[75] Inventors: Lawrence A. Blaustein, Moreland Hills; Patrick W. Brown, North Olmsted, both of Ohio

[73] Assignee: Tyco Industries, Inc., Mt. Laurel, N.J.

[**] Term: 14 Years

[21] Appl. No.: 369,548

[22] Filed: Jun. 20, 1989

[52] U.S. Cl. D15/82

[58] Field of Search D7/376, 380, 602, 605, D7/607; D15/79, 80, 82; 62/76, 305, 309, 342, 374, 376; D21/122

[56] References Cited

U.S. PATENT DOCUMENTS

D. 209,302 11/1967 Bernard D21/122

D. 293,448 12/1987 Uesaka D15/82
D. 296,749 7/1988 Threadgill et al. D15/82
3,780,536 12/1973 Fishman et al. 62/342

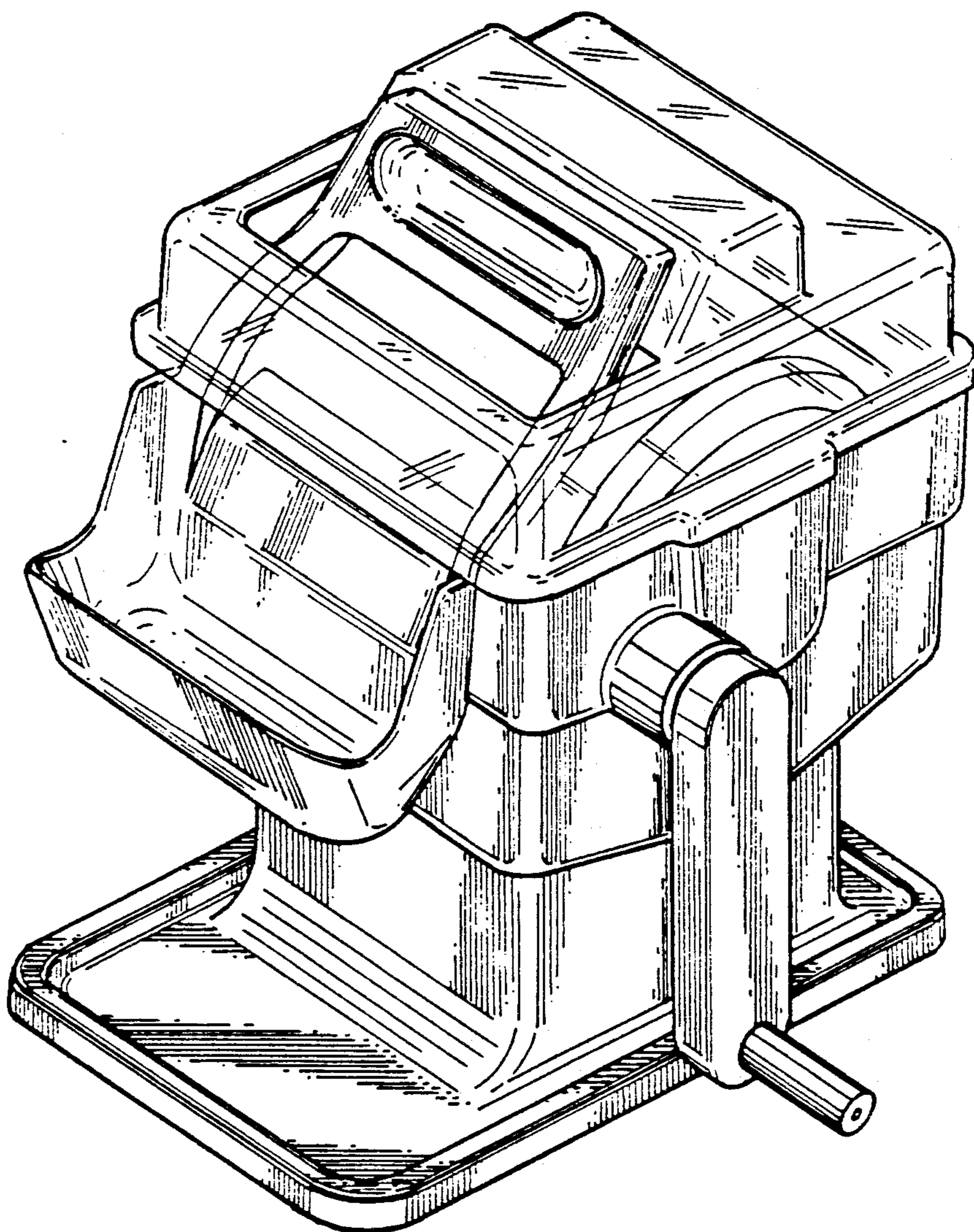
Primary Examiner—Bernard Ansher
Assistant Examiner—Sandra Morris
Attorney, Agent, or Firm—Panitch Schwarze Jacobs & Nadel

[57] CLAIM

The ornamental design for an ice cream maker, as shown and described.

DESCRIPTION

FIG. 1 is a front elevational view of an ice cream maker, showing our new design;
FIG. 2 is a top plan view thereof;
FIG. 3 is a rear elevational view thereof;
FIG. 4 is a bottom plan view thereof;
FIG. 5 is a left-side elevational view thereof;
FIG. 6 is a right-side elevational view thereof; and
FIG. 7 is a perspective view thereof.



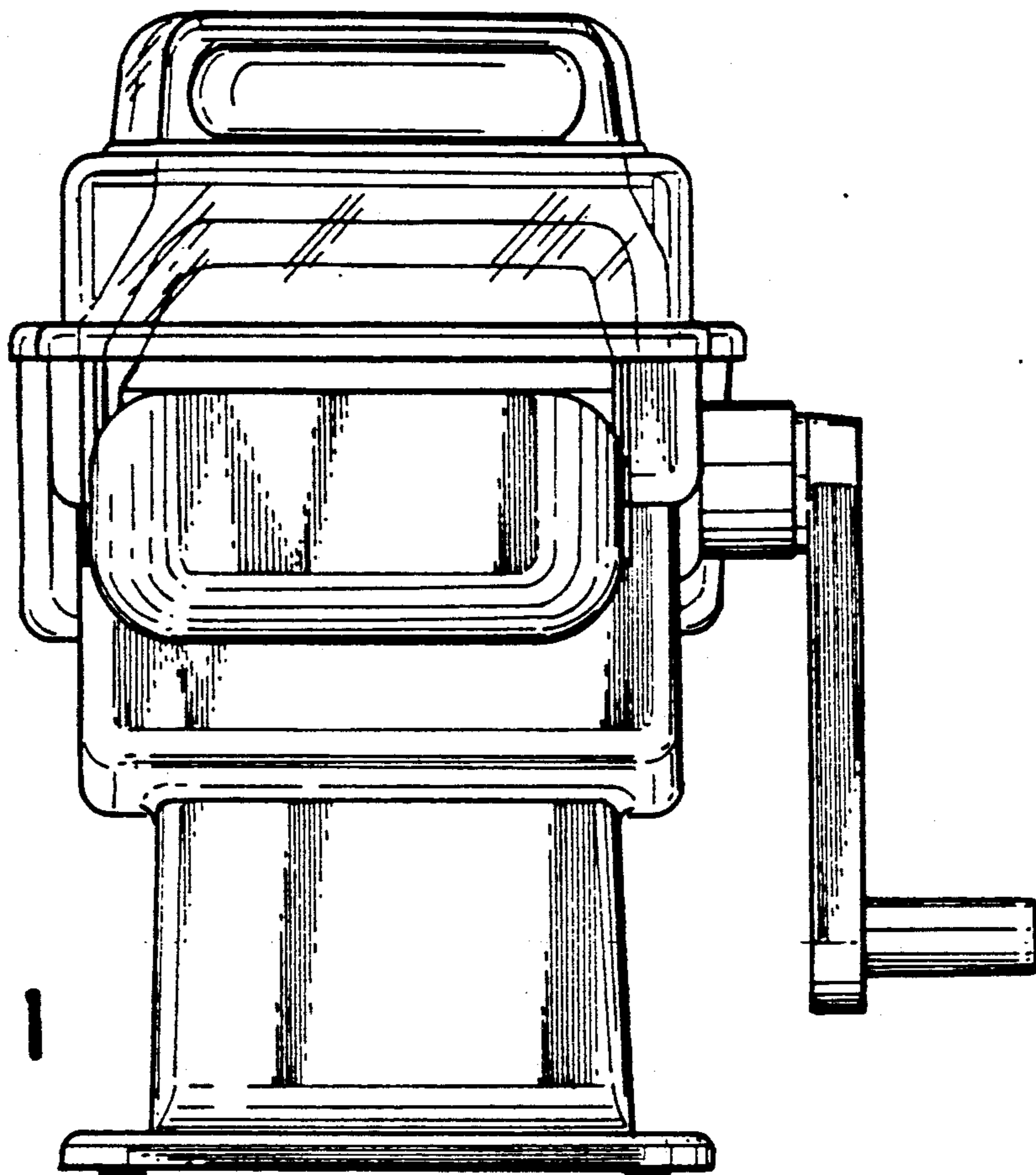


FIG. 1

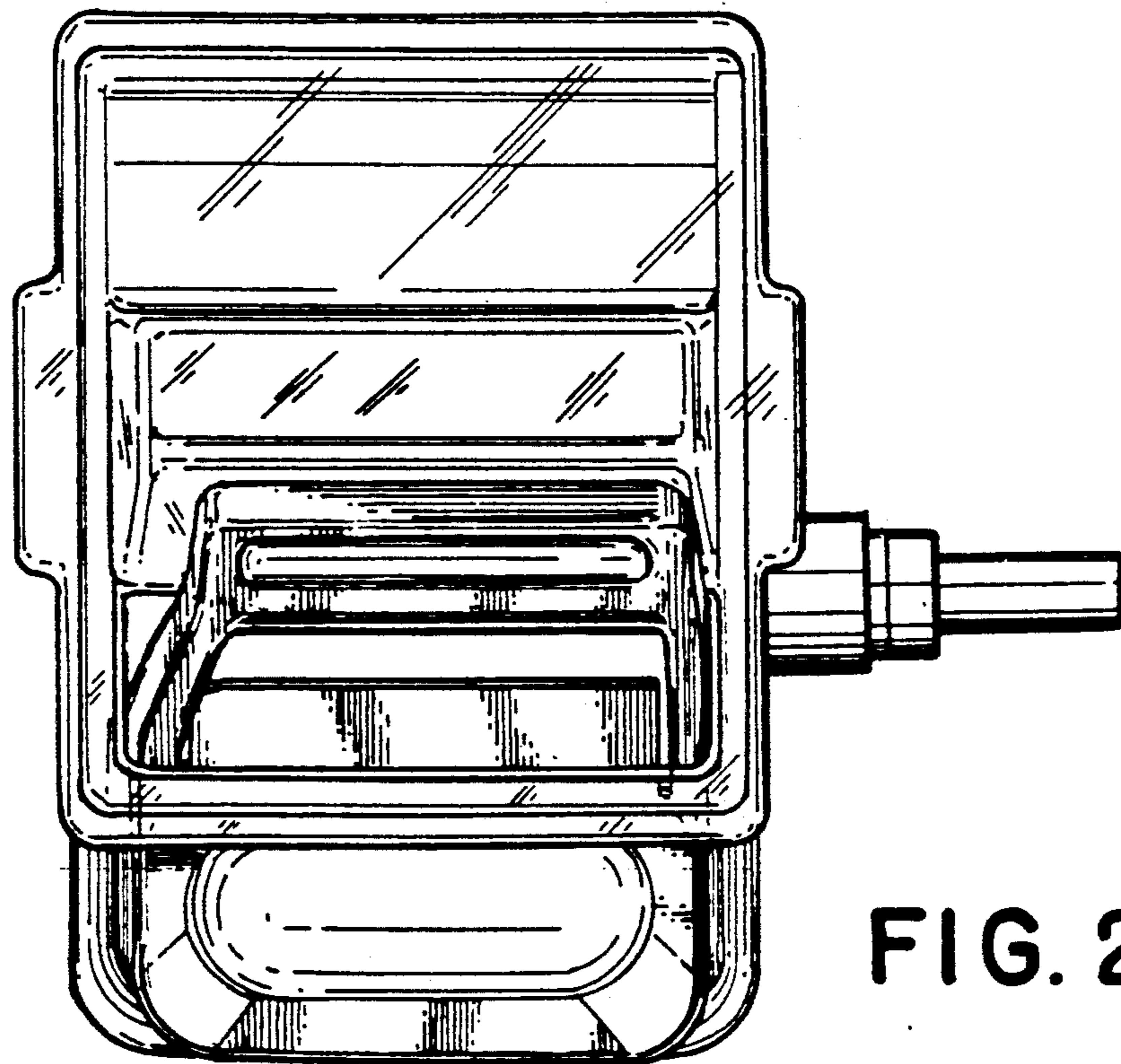


FIG. 2

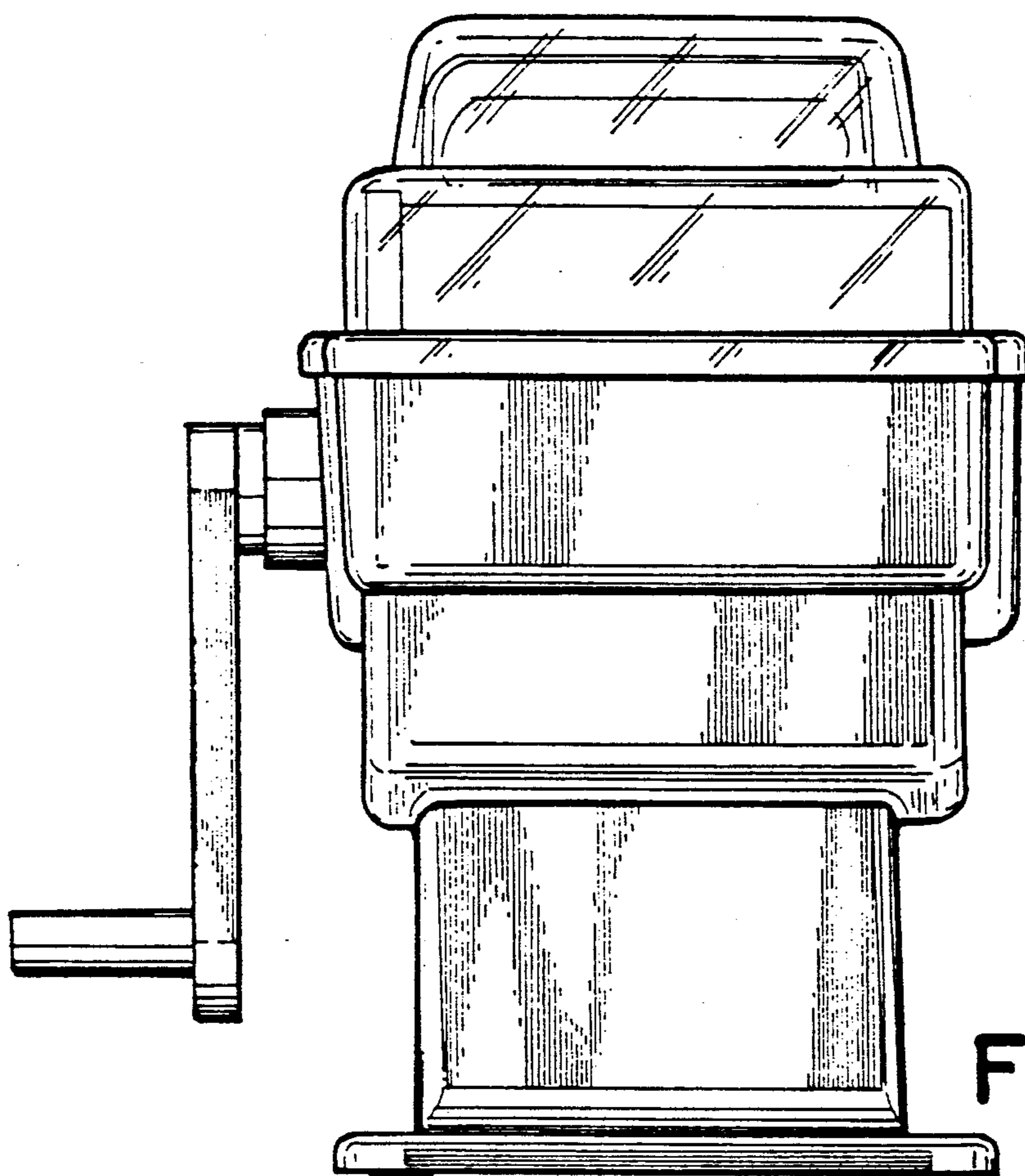


FIG. 3

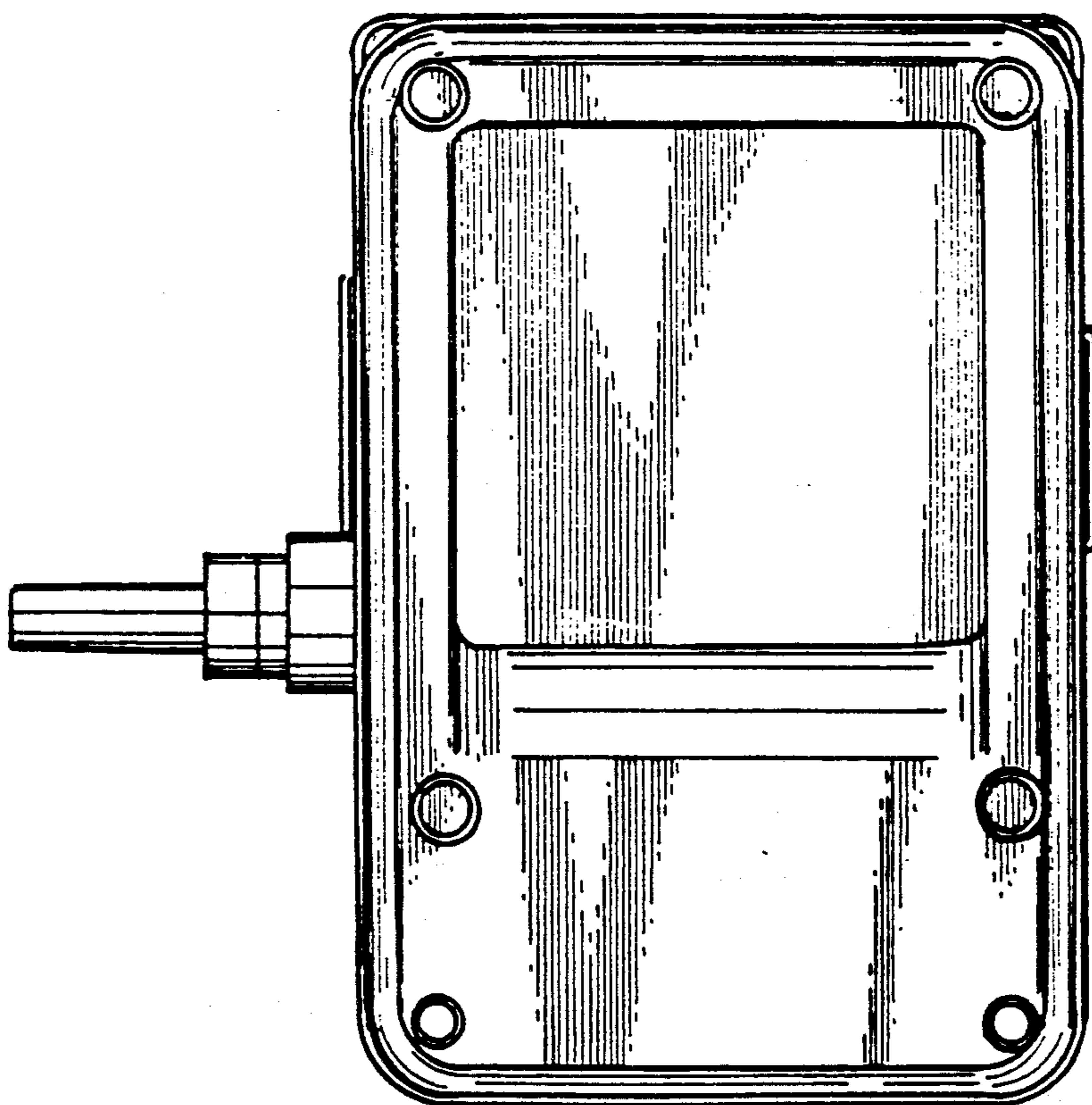


FIG. 4

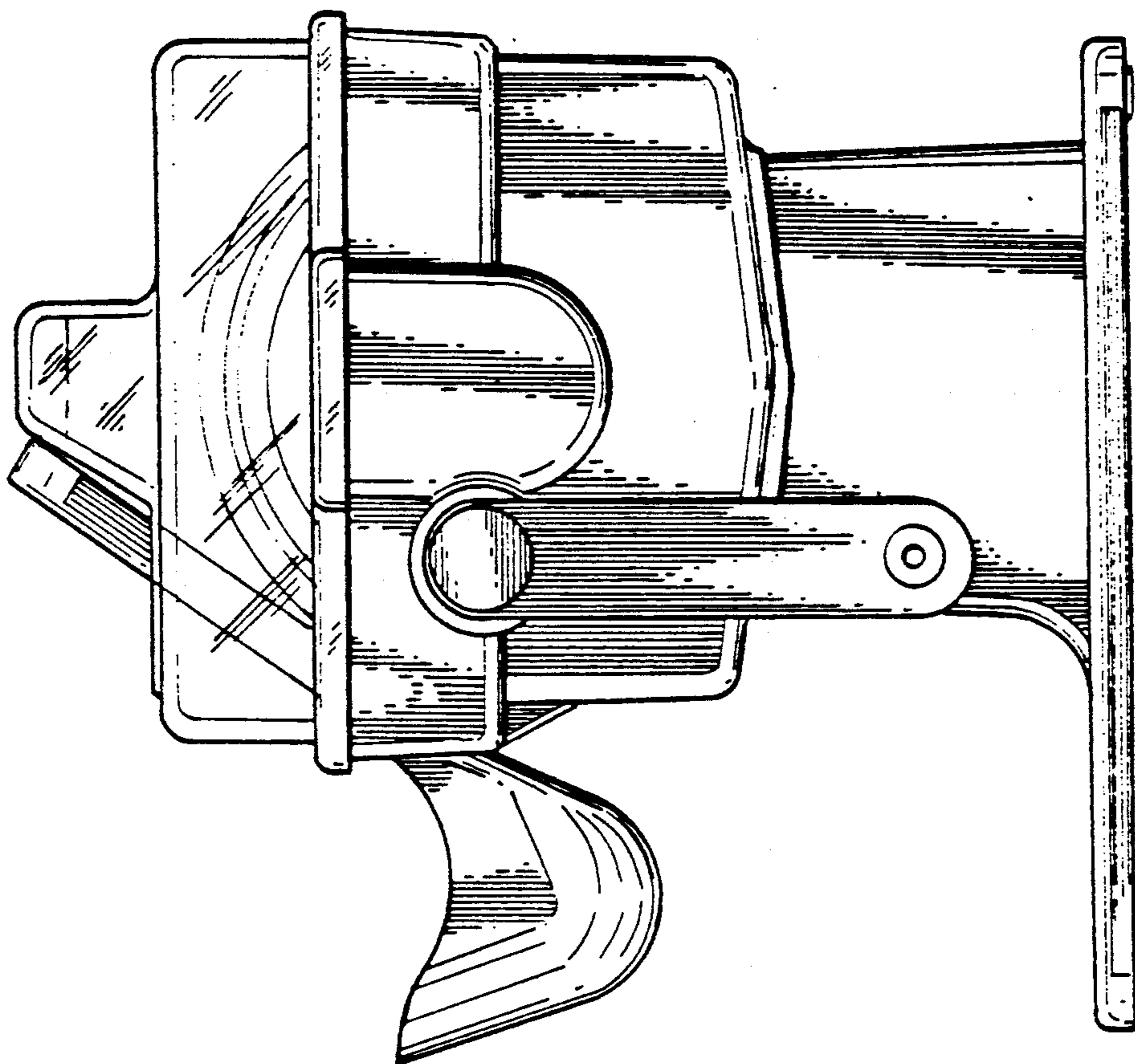


FIG. 6

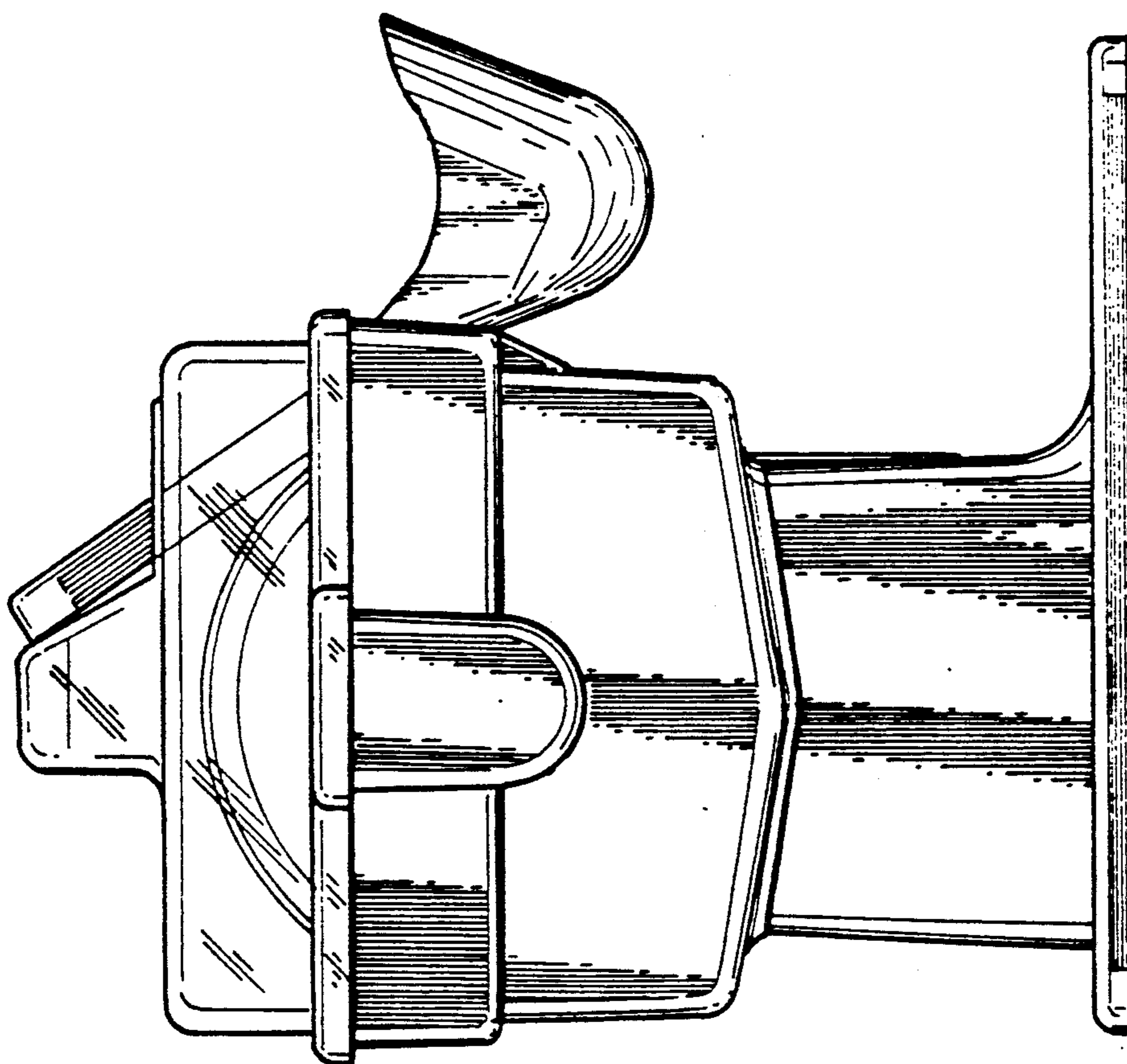


FIG. 5

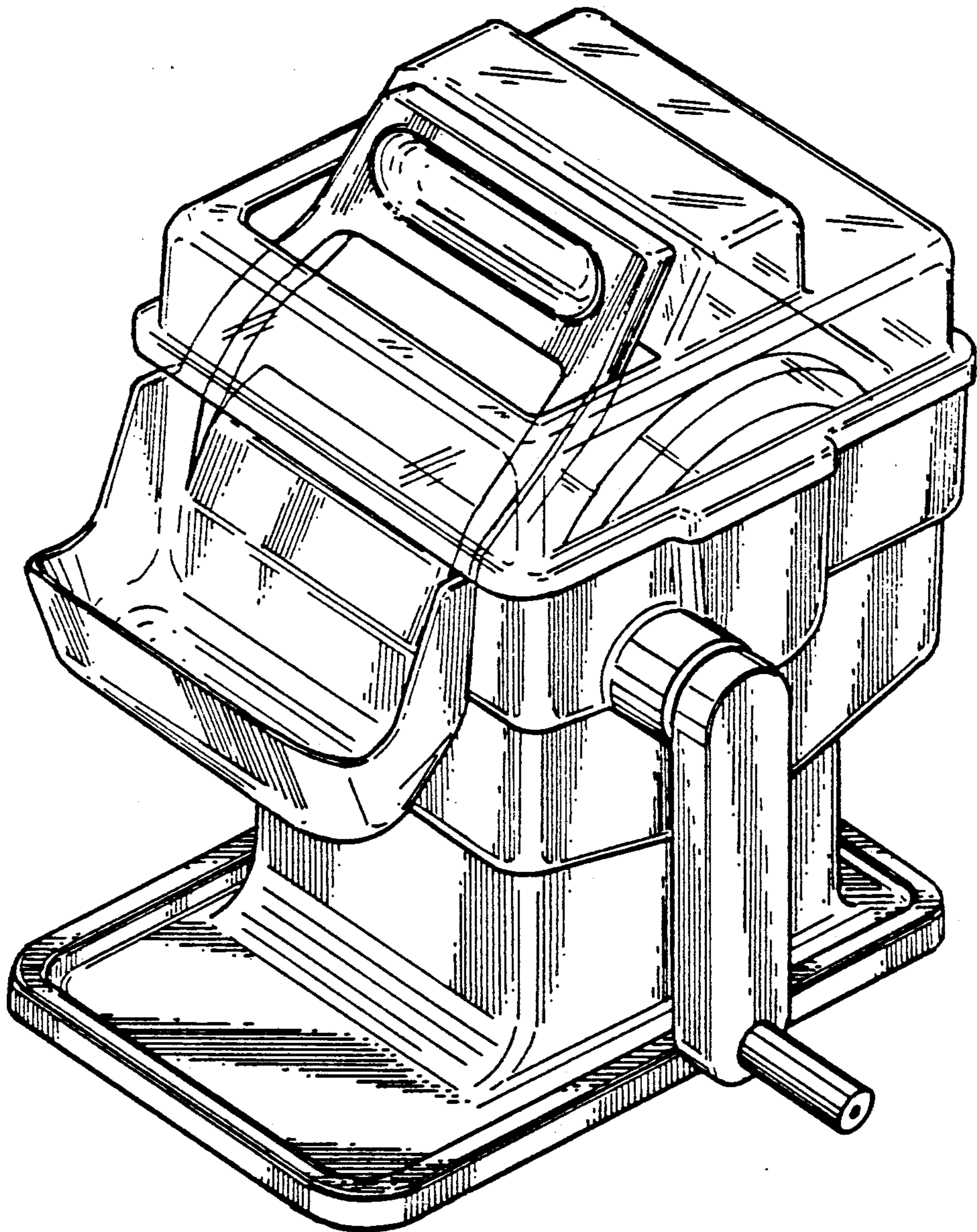


FIG. 7