

[54] **ANTENNA STUB**
[75] **Inventor: Peter Mailandt, Dallas, Tex.**
[73] **Assignee: Alliance Telecommunications Corp., Dallas, Tex.**
[**] **Term: 14 Years**
[21] **Appl. No.: 322,228**
[22] **Filed: Mar. 13, 1989**
[52] **U.S. Cl. D14/234; D14/238**
[58] **Field of Search D14/230-238, D14/299; 343/702, 705, 708, 711, 713, 715, 720, 741, 744, 749, 752, 757, 766, 797, 829, 840, 846, 872, 873, 878, 882, 887, 888, 892, 900, 901, 903**

D. 310,224 8/1990 Cooper D14/230
3,229,296 1/1966 Saari 343/900 X
4,692,770 9/1987 Kadokura 343/713 X

OTHER PUBLICATIONS

Radio Shack 1989 Catalog; p. 75; Antenna at top left.

Primary Examiner—Theodore M. Shooman
Attorney, Agent, or Firm—Richards, Medlock & Andrews

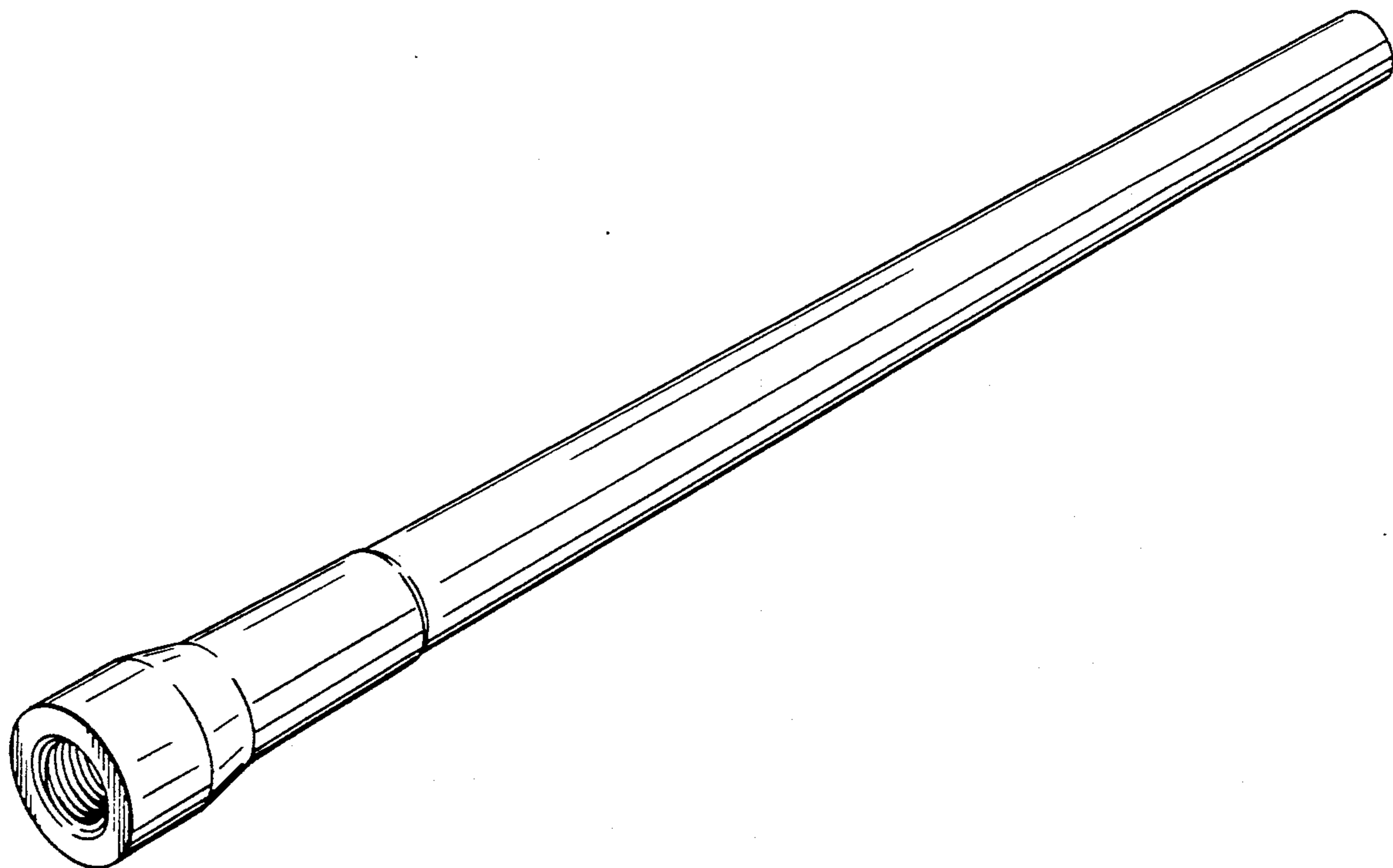
CLAIM

[57] The ornamental design for an antenna stub, as shown and described.

DESCRIPTION

FIG. 1 is a front and left side perspective view of an antenna stub showing my new design;
FIG. 2 is a right side elevational view thereof;
FIG. 3 is a left side elevational view thereof; and
FIG. 4 is a rear elevational thereof.

[56] **References Cited**
U.S. PATENT DOCUMENTS
D. 271,766 12/1983 Eckmann et al. D14/233
D. 290,121 6/1987 Claxton D14/233



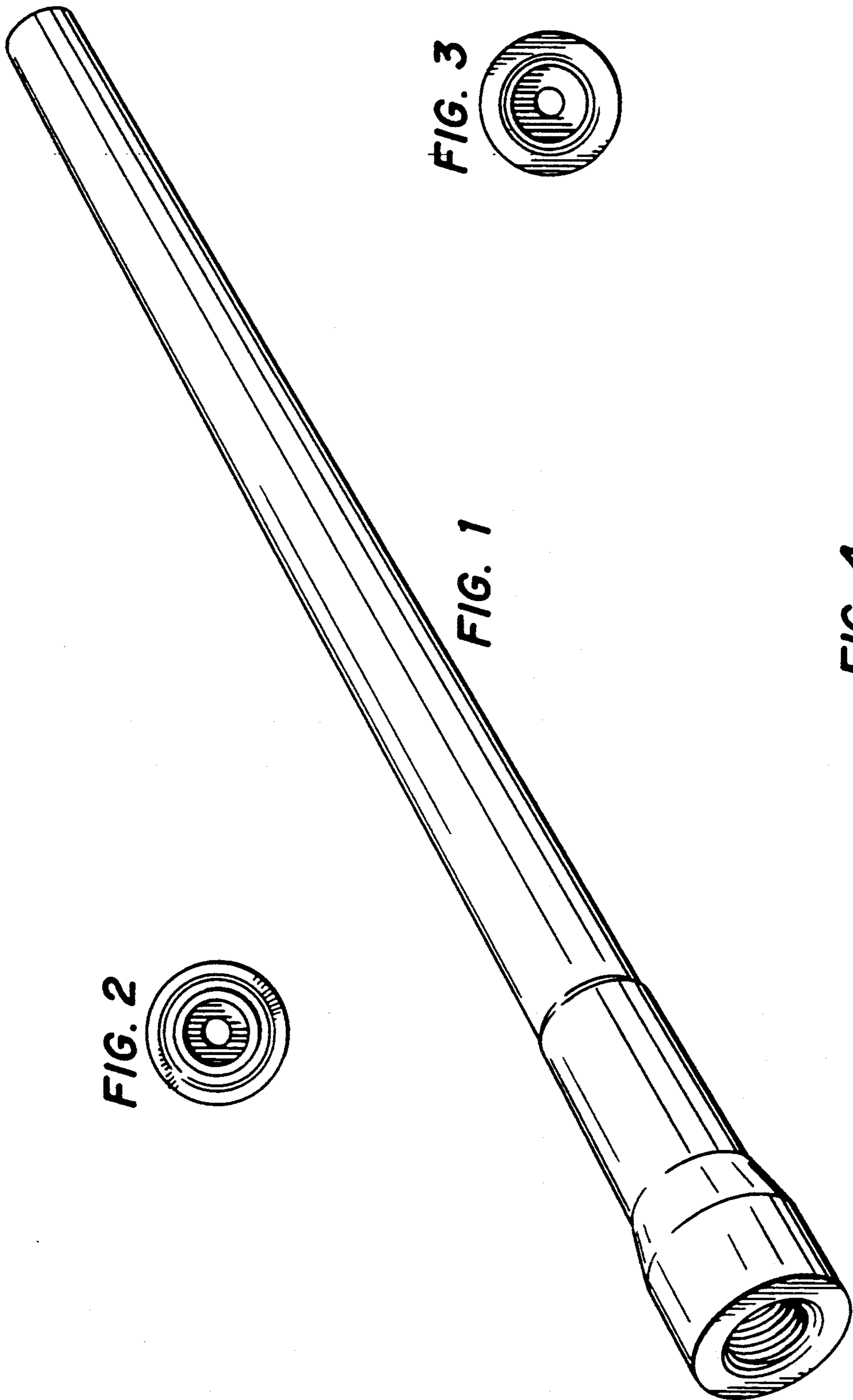


FIG. 2

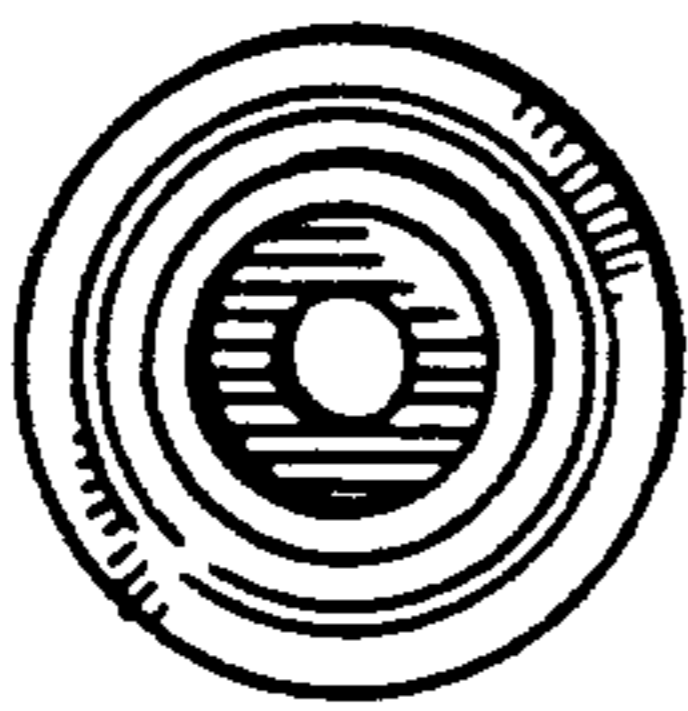


FIG. 3

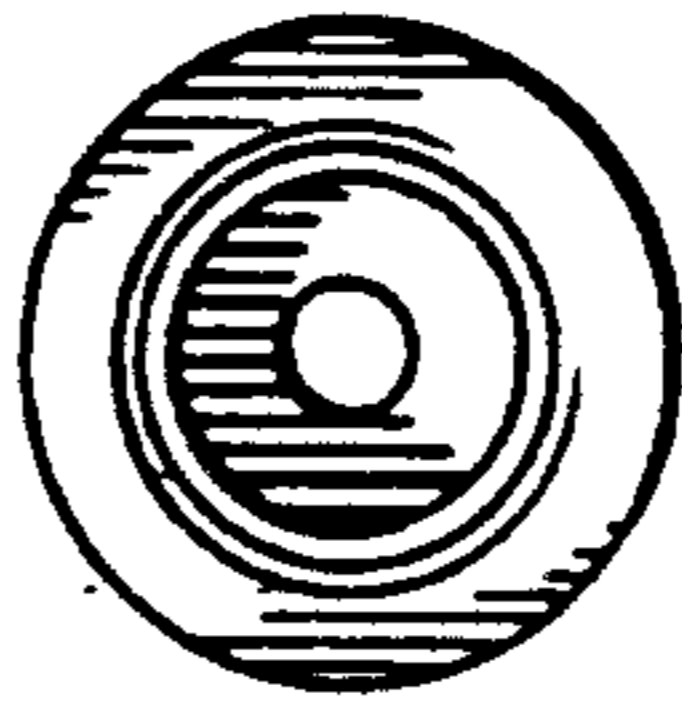


FIG. 4

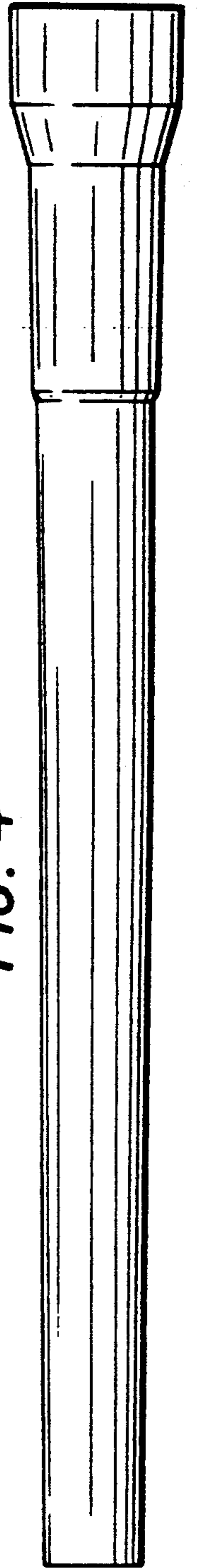


FIG. 4