

United States Patent [19]

Yamakawa

[11] Patent Number: Des. 321,689

[45] Date of Patent: ** Nov. 19, 1991

[54] AUDIO AMPLIFIER

[75] Inventor: Yoshiro Yamakawa, Tokyo, Japan

[73] Assignee: Yamaha Corporation, Shizuoka, Japan

[**] Term: 14 Years

[21] Appl. No.: 360,707

[22] Filed: Jun. 1, 1989

[30] Foreign Application Priority Data

Dec. 3, 1988 [JP] Japan 63-47350

[52] U.S. Cl. D14/188; D14/136

[58] Field of Search D14/136, 156, 163, 165, D14/168-171, 175-176, 188-198; 455/92, 100, 128, 344, 350-351; 312/7.1

[56] References Cited

U.S. PATENT DOCUMENTS

D. 253,823 1/1980 Rams D14/197

D. 275,668 9/1984 Erber et al. D14/136

D. 293,322 12/1987 Hoshino et al. D14/198

D. 314,198 1/1991 Ito et al. D14/136 X

Primary Examiner—Theodore M. Shooman
Attorney, Agent, or Firm—Weingarten, Schurgin,
Gagnebin & Hayes

[57] CLAIM

The ornamental design for an audio amplifier, as shown and described.

DESCRIPTION

FIG. 1 is a top, front and right side perspective view of an audio amplifier showing my new design;

FIG. 2 is a top, front and right perspective view thereof, shown with the cassette cover in the closed position;

FIG. 3 is a top plan view thereof;

FIG. 4 is a front elevational view thereof;

FIG. 5 is a right side elevational view thereof;

FIG. 6 is a left side elevational view thereof;

FIG. 7 is a rear elevational view thereof; and

FIG. 8 is a bottom plan view thereof.

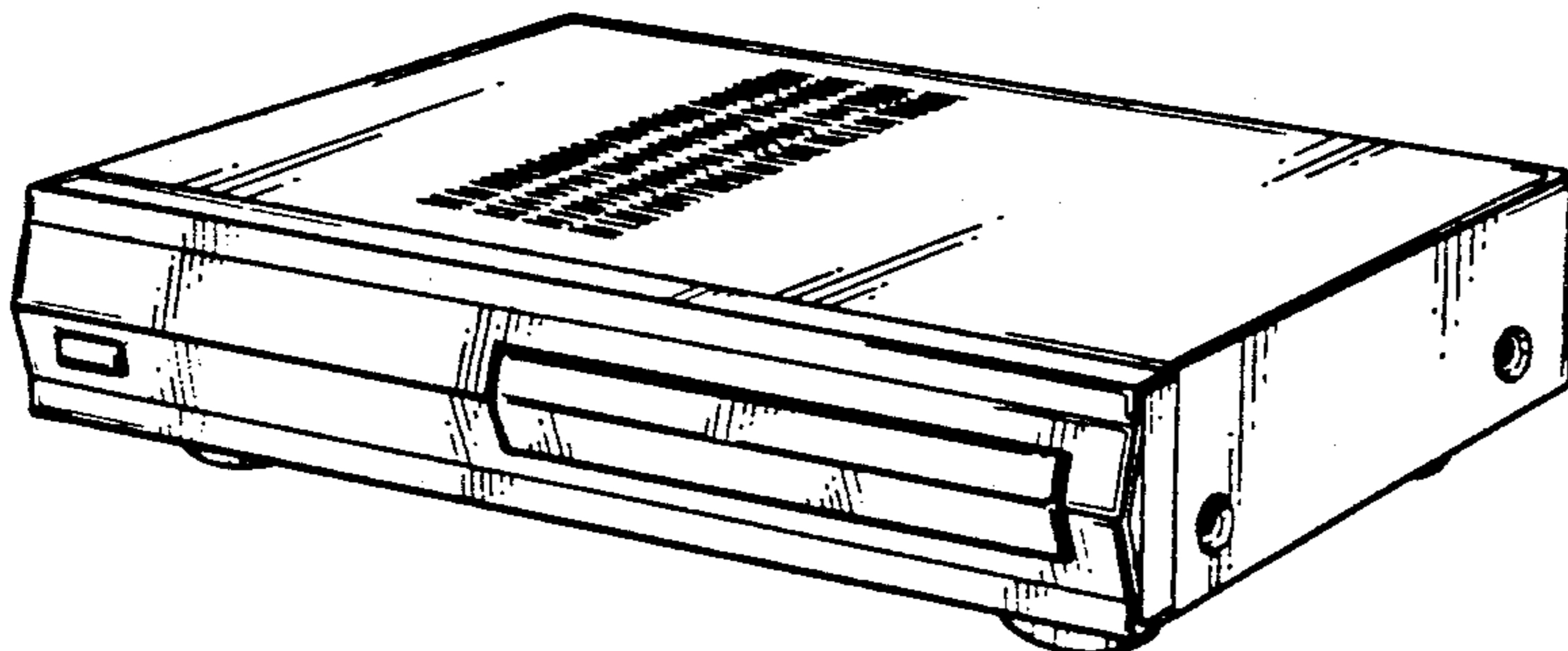
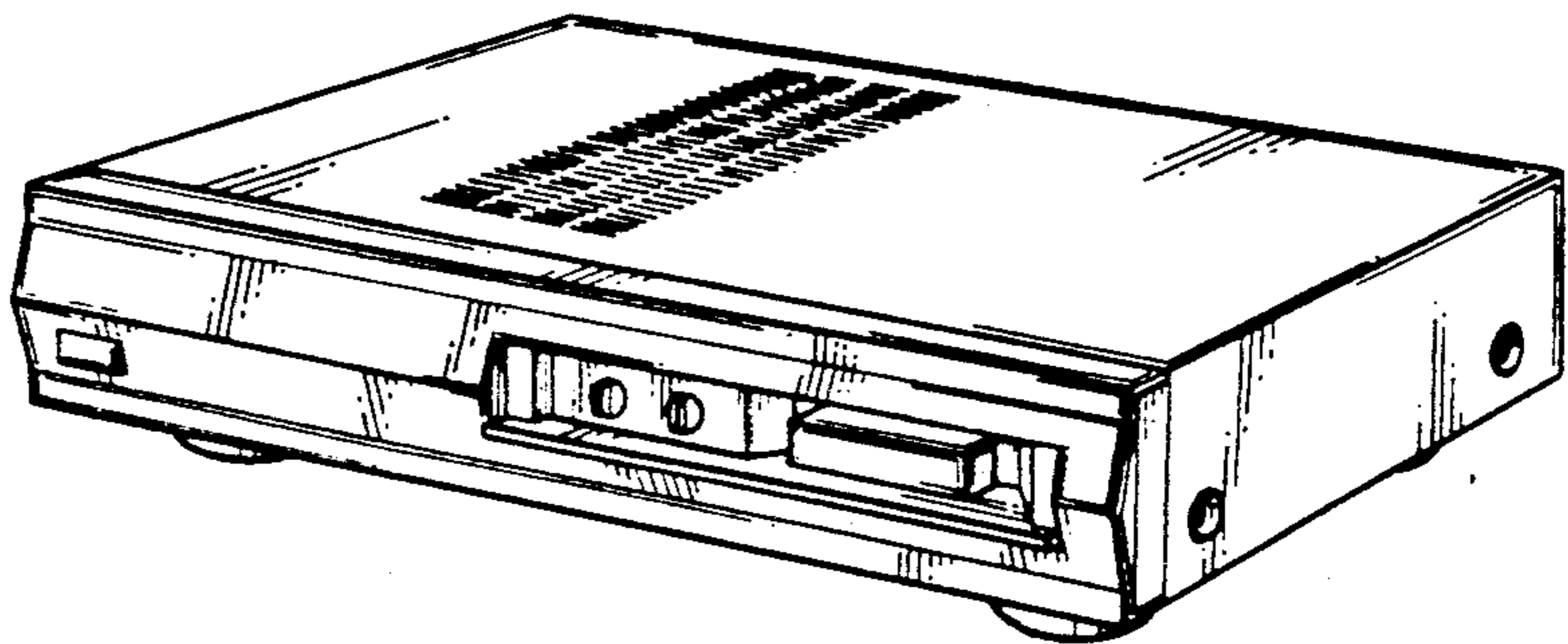


FIG. 1

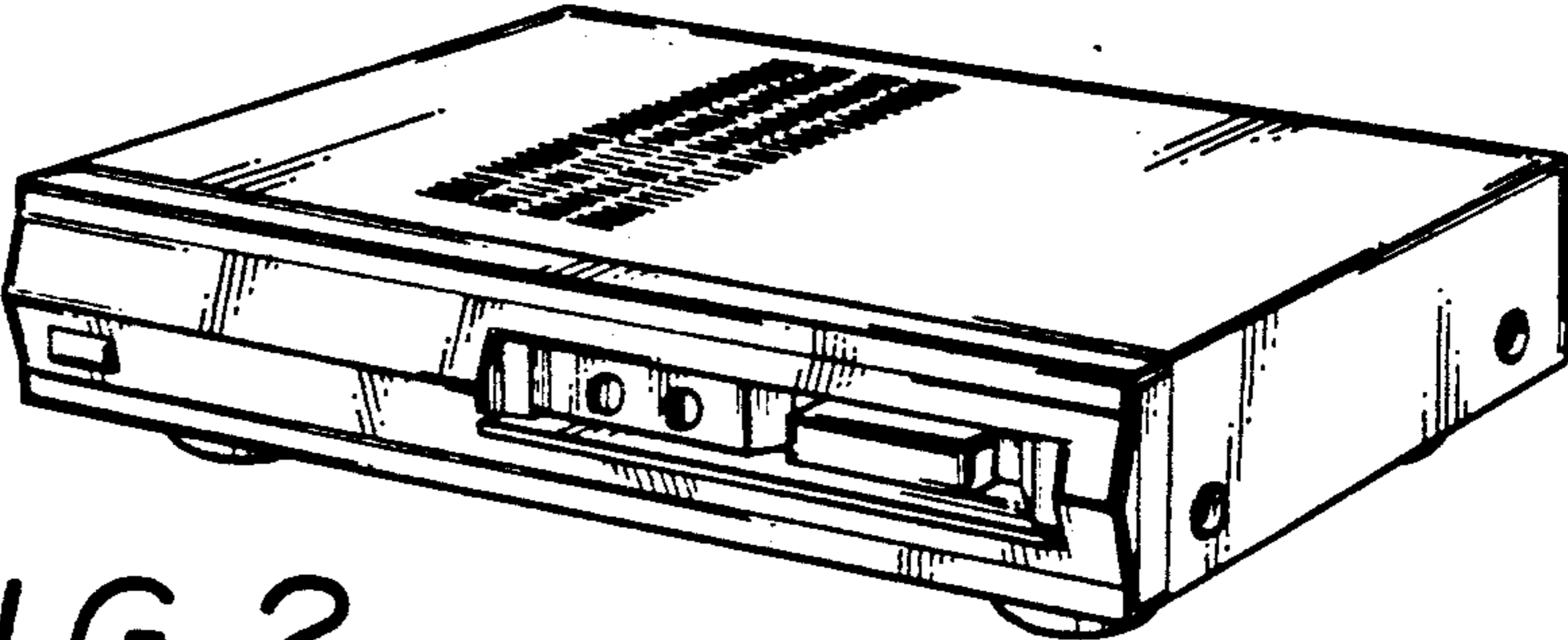


FIG. 2

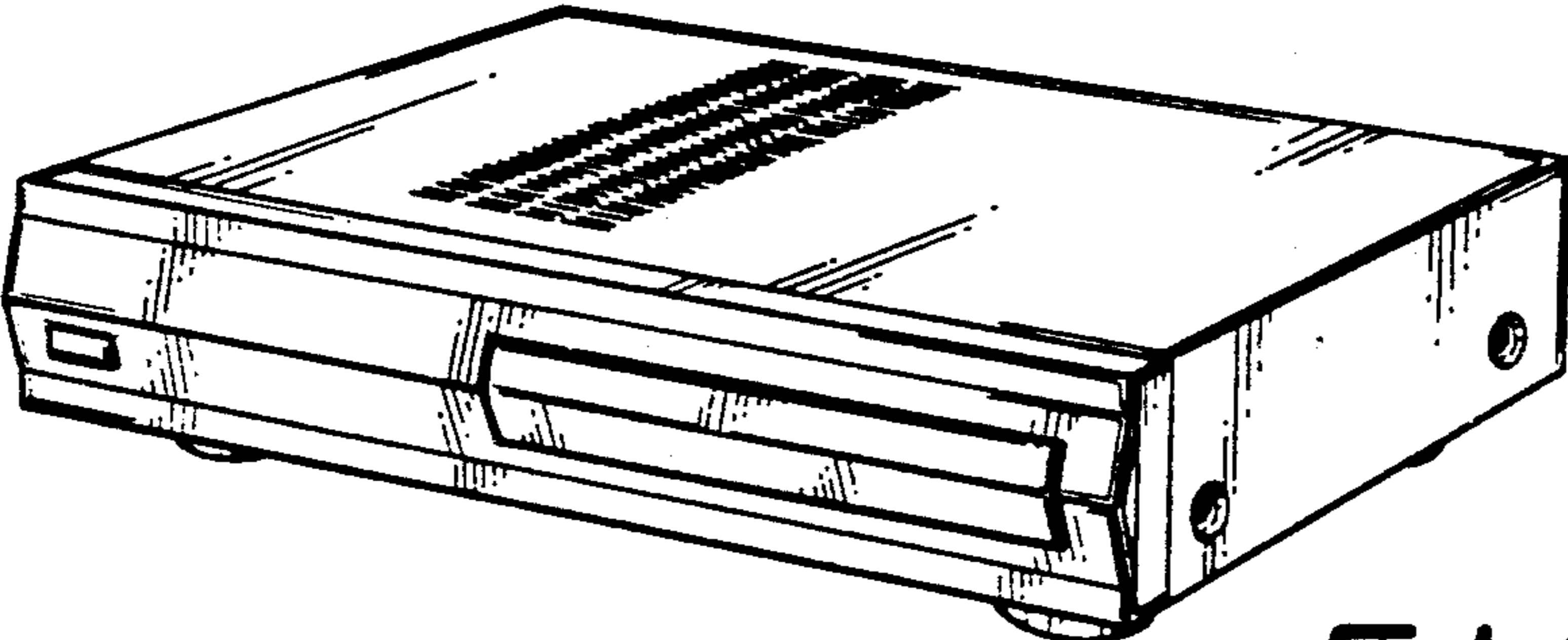


FIG. 3

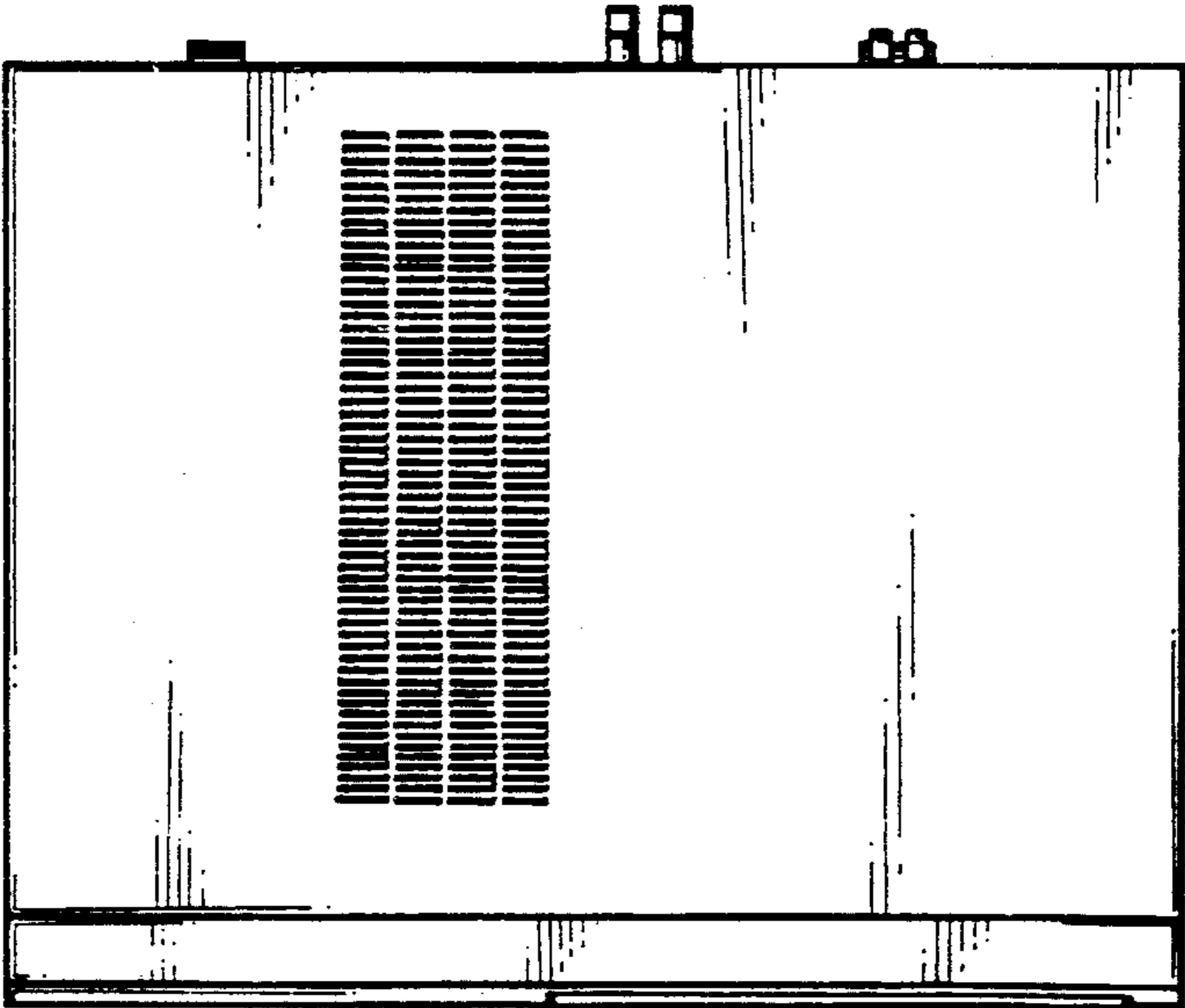


FIG. 4

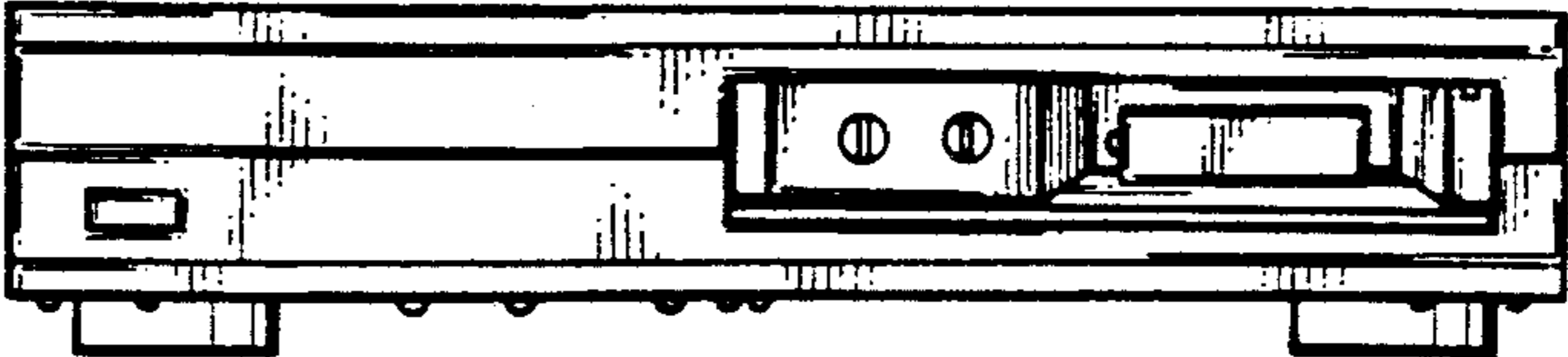


FIG. 5



FIG. 6

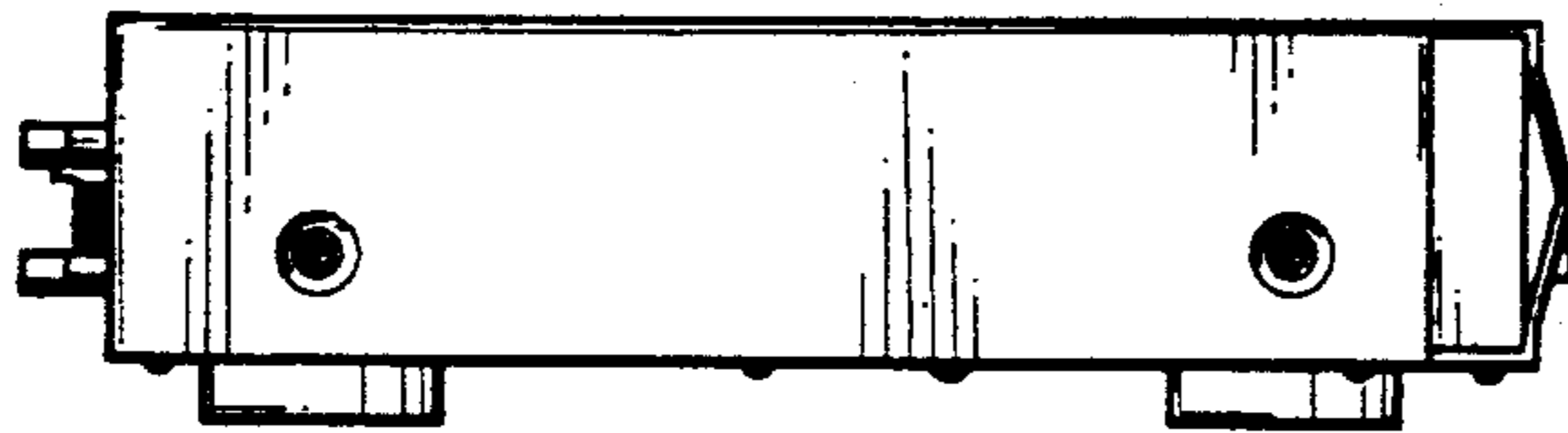


FIG. 7

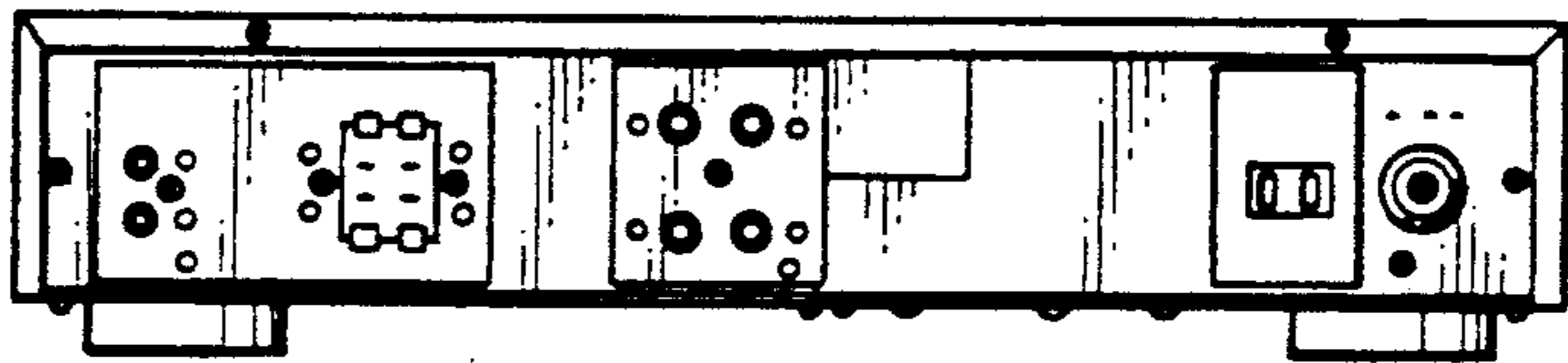


FIG. 8

