

[54] FRONT PANEL FOR OPTICAL DRIVE

[75] Inventors: Jeffrey L. Kline; Tristan A. Merino, both of Austin, Tex.

[73] Assignee: International Business Machines Corporation, Armonk, N.Y.

[**] Term: 14 Years

[21] Appl. No.: 471,982

[22] Filed: Jan. 29, 1990

[52] U.S. Cl. D14/115

[58] Field of Search D14/108, 109, 114, 115; D13/162, 184, 199; 360/97.01-99.12, 132, 133; 361/330-332, 334, 335, 380-385, 390-395, 415, 426; 364/130, 144, 708; 174/52.1

[56] References Cited

U.S. PATENT DOCUMENTS

D. 280,326 8/1985 Jordan D14/115

D. 297,893 10/1988 Garmon D14/109 X
D. 298,252 10/1988 Sapper D14/115
D. 304,333 10/1989 Kerezman et al. D14/114

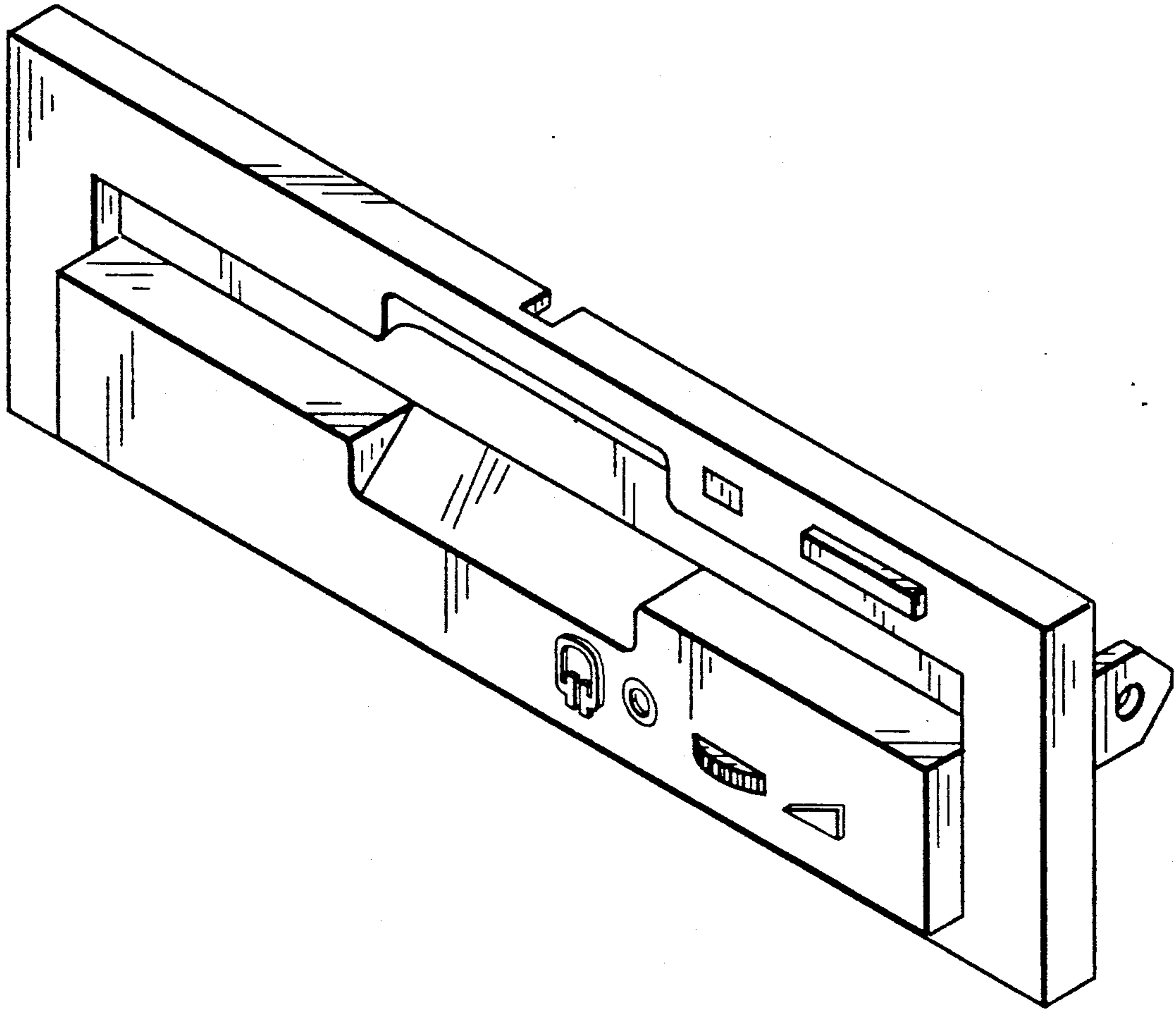
Primary Examiner—Wallace R. Burke
Assistant Examiner—Freda S. Nunn
Attorney, Agent, or Firm—Thomas E. Tyson

[57] CLAIM

The ornamental design for a front panel for optical drive, as shown and described.

DESCRIPTION

FIG. 1 is a top front side perspective view of a front panel for optical drive showing our new design; FIG. 2 is a right side elevational view thereof; FIG. 3 is a left side elevational view thereof; FIG. 4 is a front elevational view thereof; FIG. 5 is a top plan view thereof; FIG. 6 is a rear elevational view thereof; FIG. 7 is a bottom plan view thereof. FIGS. 2-7 are shown on an enlarged scale.



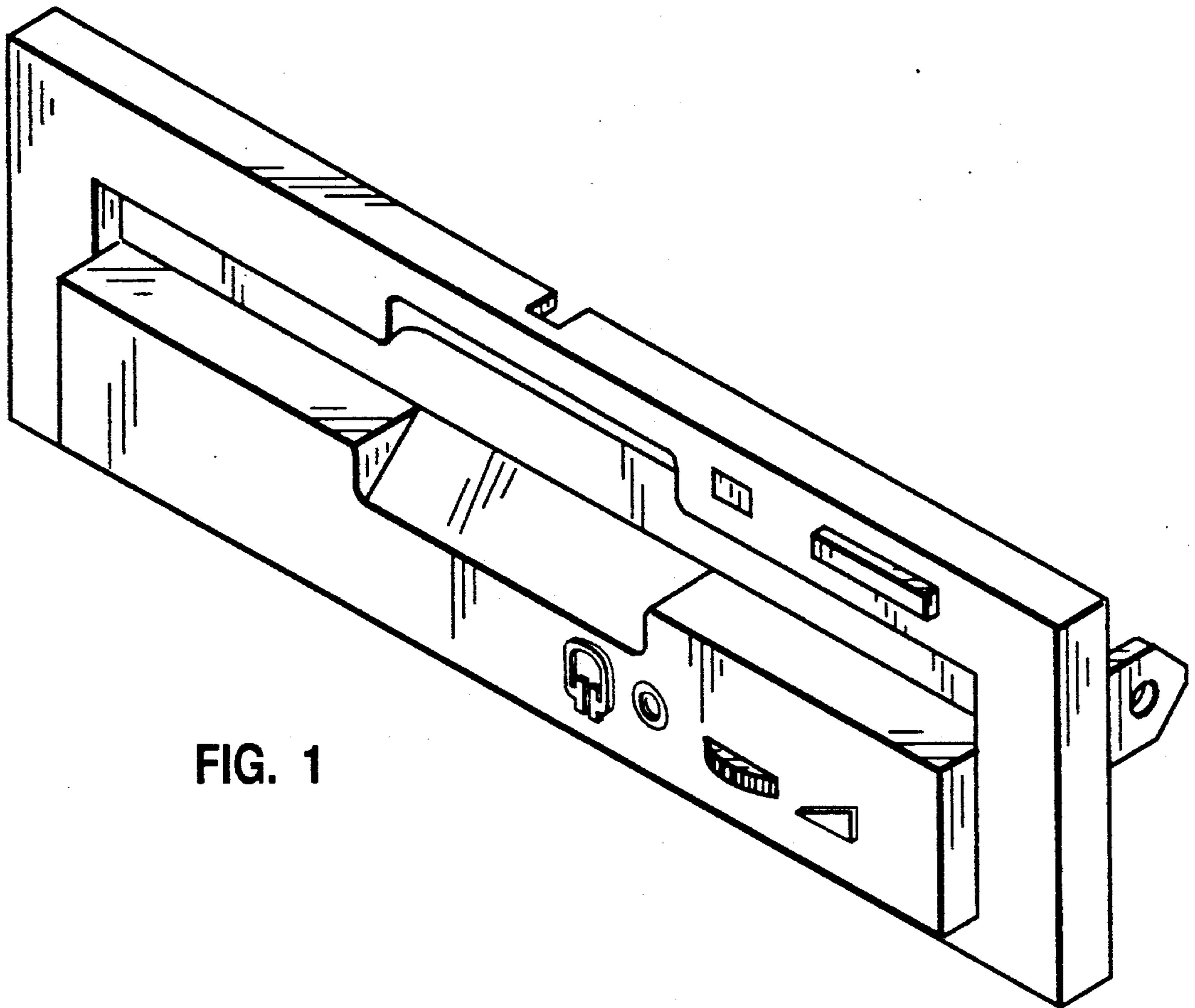


FIG. 1

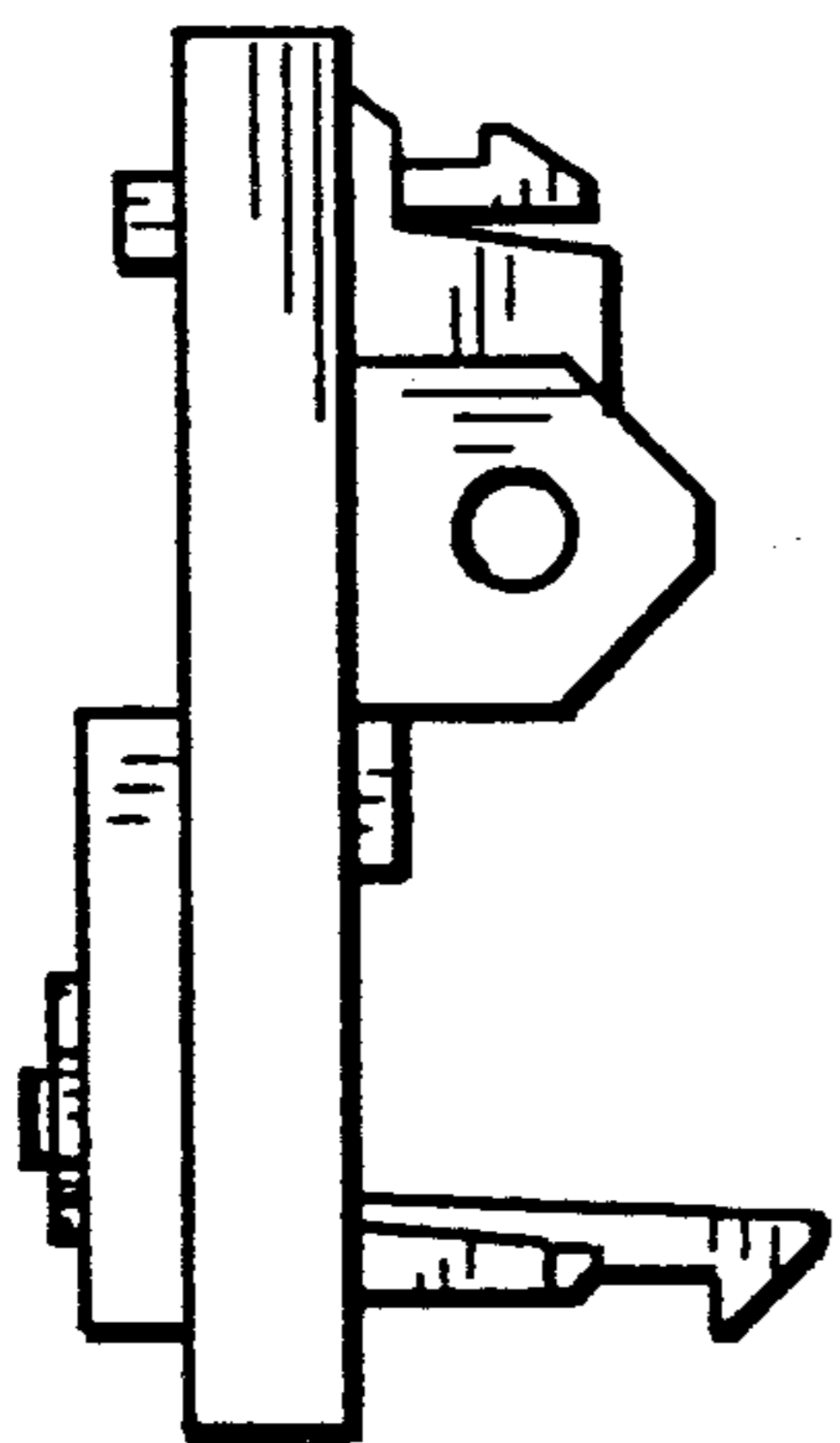


FIG. 2

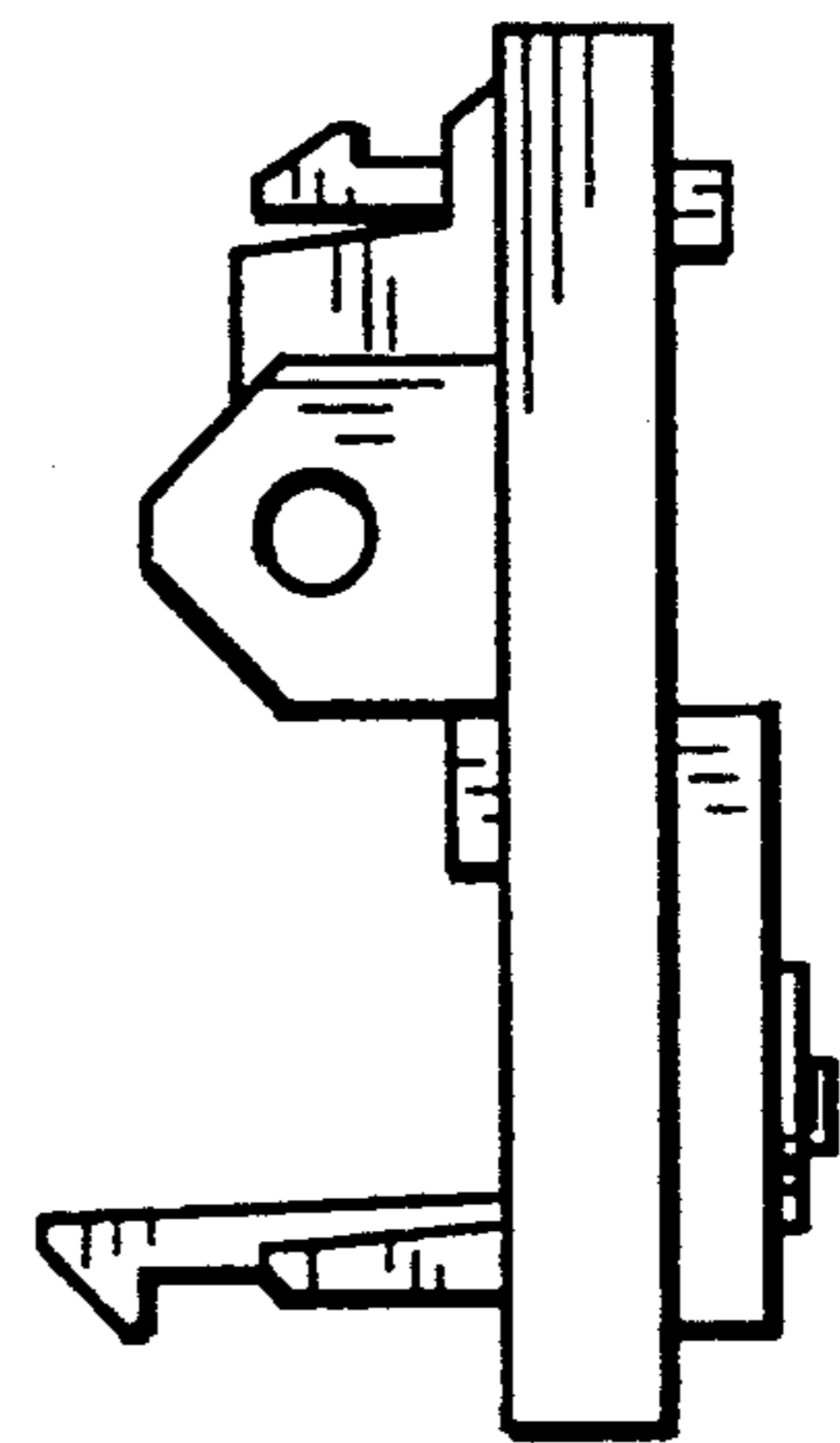


FIG. 3

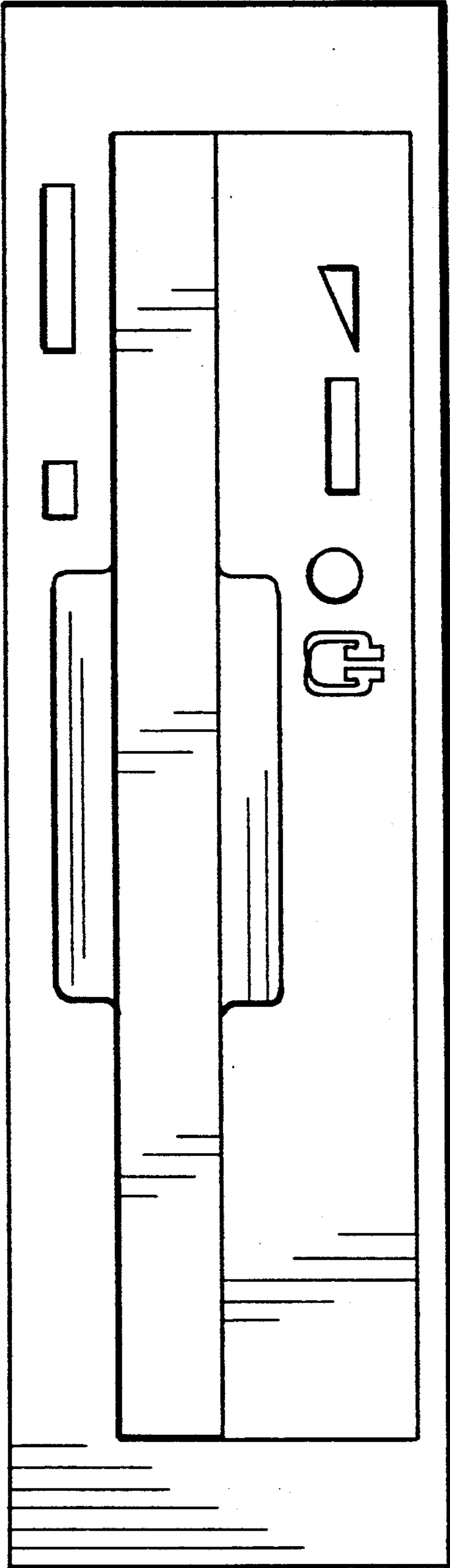


FIG. 4

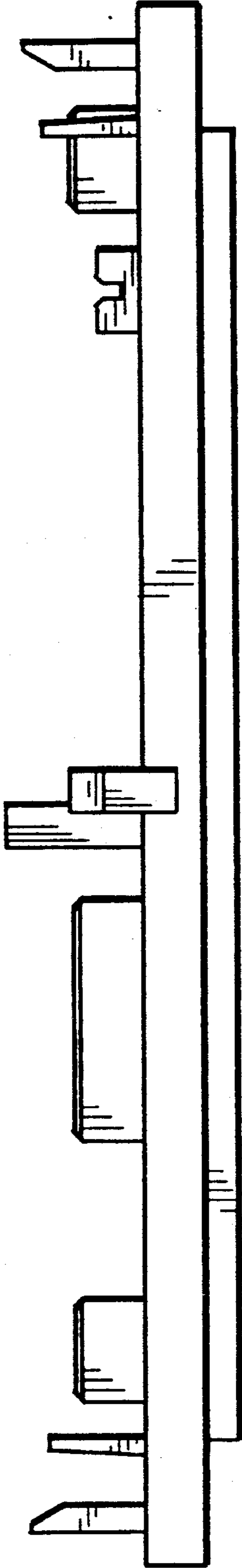


FIG. 5

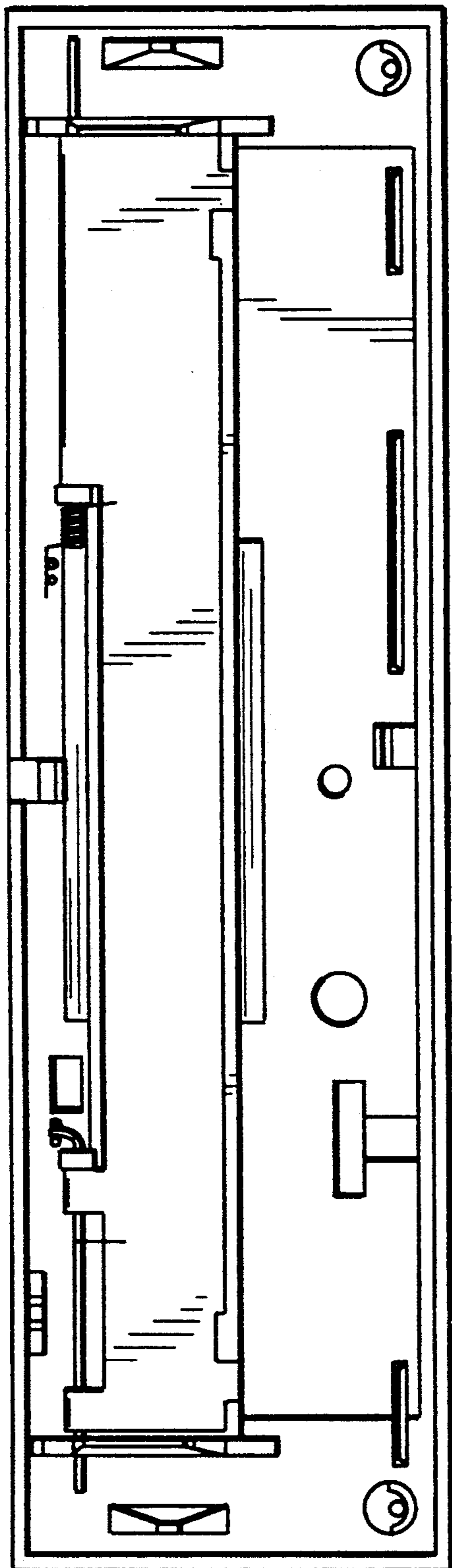


FIG. 6

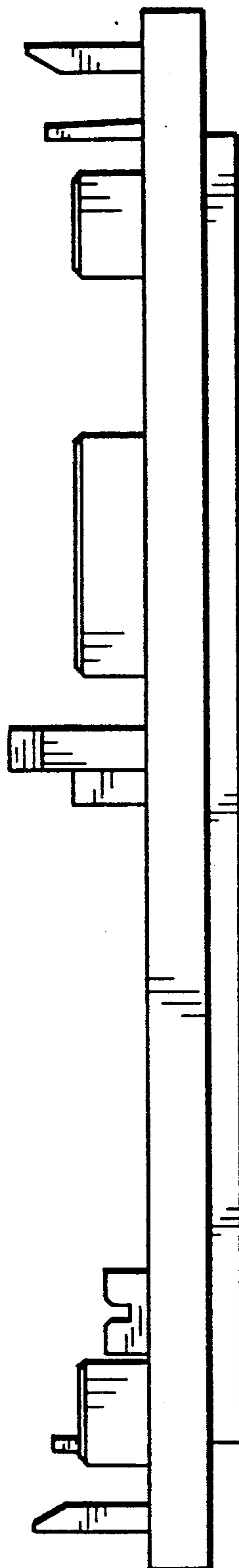


FIG. 7