

[54] BATTERY CHARGER FOR ELECTRIC ERASER

D. 300.124 3/1989 Adams ..... D13/108  
3,183,891 5/1965 MacDonald ..... D13/108 X

[75] Inventor: Keiichi Ohashi, Shizuoka, Japan

Primary Examiner—Susan J. Lucas

Assistant Examiner—J. Sincavage

[73] Assignee: Skylite Industry Co., Ltd., Shizuoka, Japan

Attorney, Agent, or Firm—Wegner, Cantor, Mueller & Player

[\*\*] Term: 14 Years

[57] CLAIM

[21] Appl. No.: 452,330

The ornamental design for battery charger for electric eraser, as shown and described.

[22] Filed: Dec. 19, 1989

DESCRIPTION

[52] U.S. Cl. .... D13/108

[58] Field of Search ..... D13/107, 108, 109, 120,  
D13/184; D19/53; D14/253; 320/2, 3, 4, 5

FIG. 1 is a perspective view of a battery charger for electric eraser embodying my new design;  
FIG. 2 is a front elevational view thereof;  
FIG. 3 is a top plan view thereof;  
FIG. 4 is a left side elevational view thereof;  
FIG. 5 is a rear elevational view thereof; and  
FIG. 6 is a bottom plan view thereof.

[56] References Cited

U.S. PATENT DOCUMENTS

D. 289,996 5/1987 Oord et al. .... D13/108

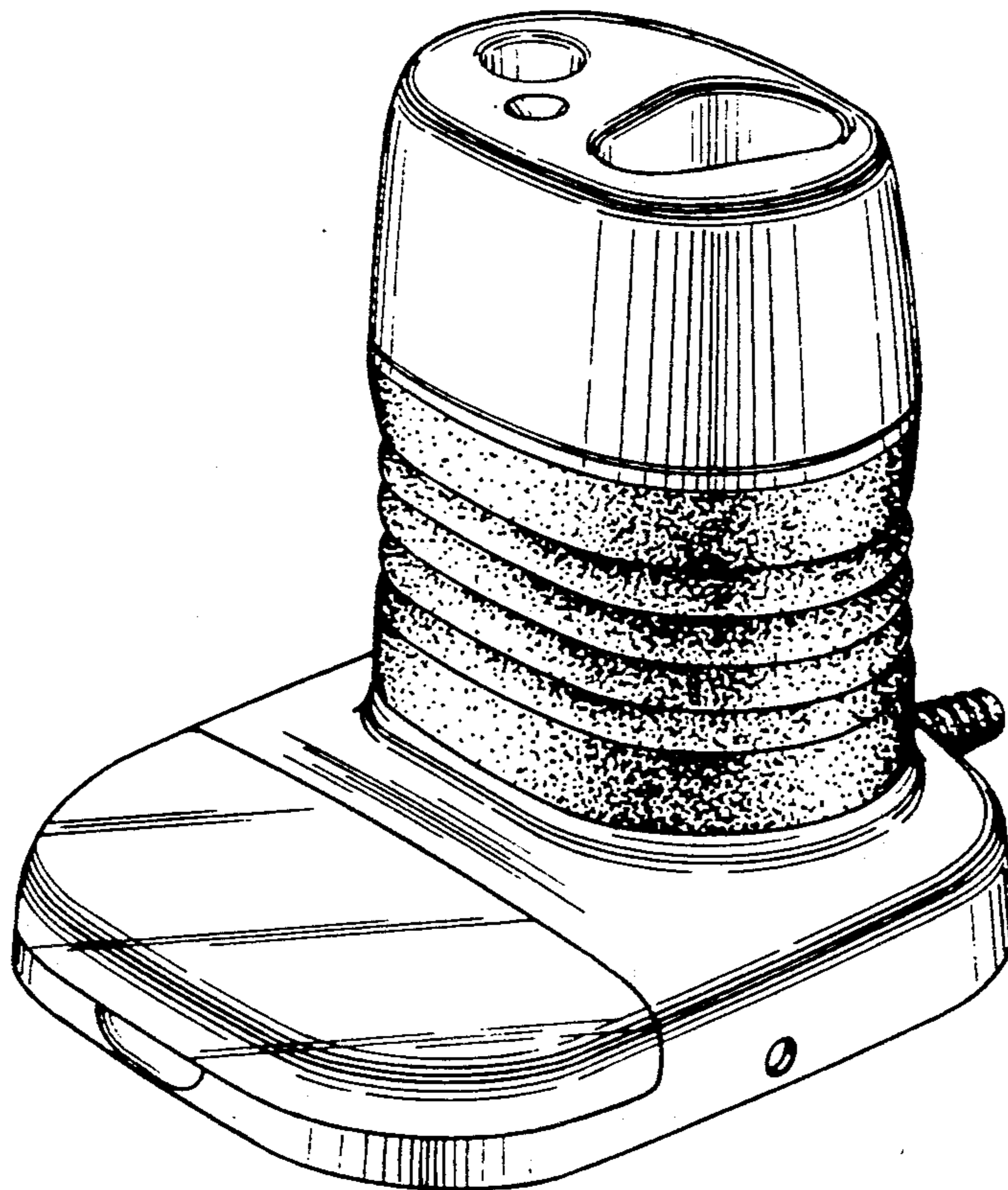


FIG. 1

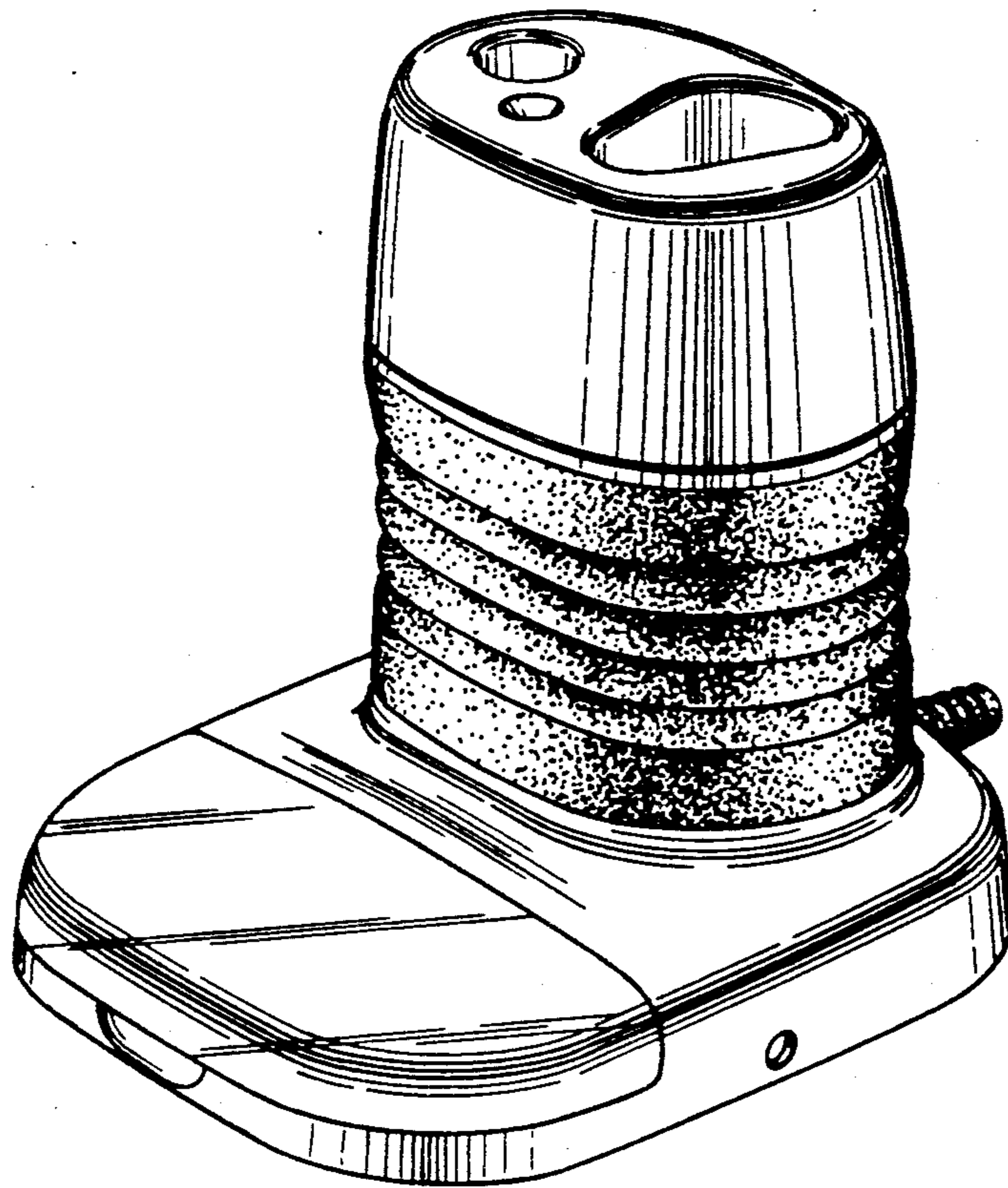


FIG. 2

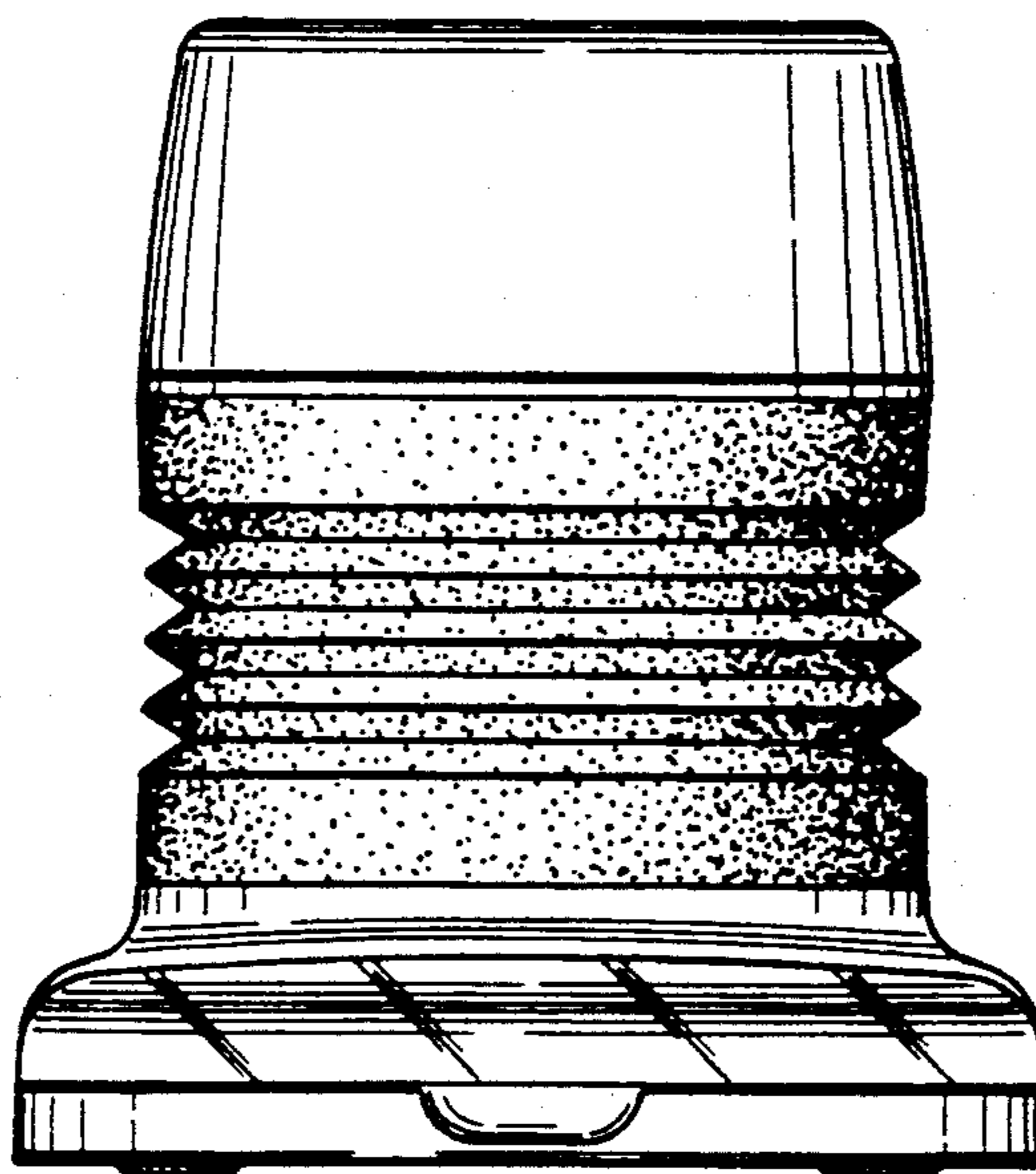


FIG. 3

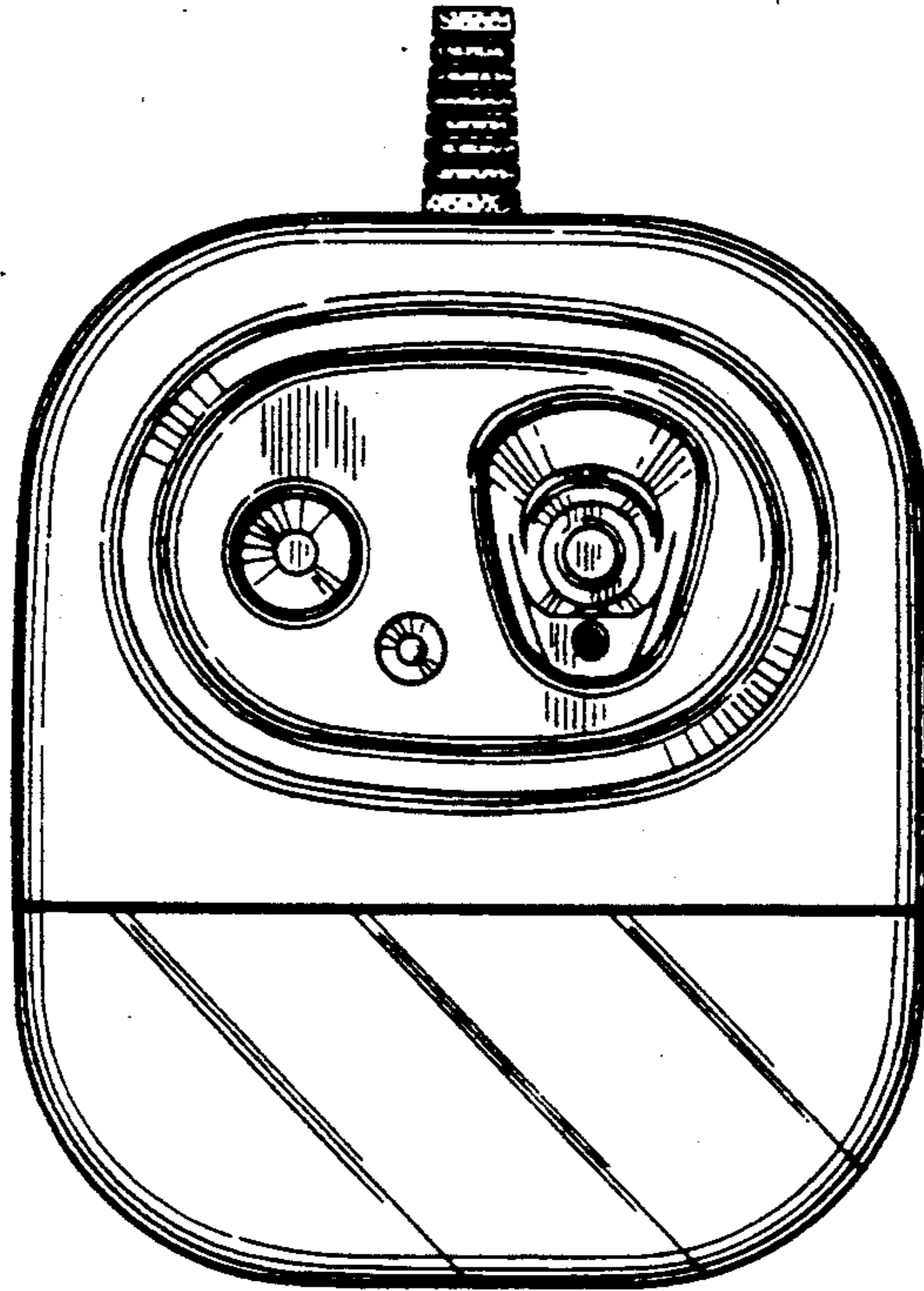


FIG. 4

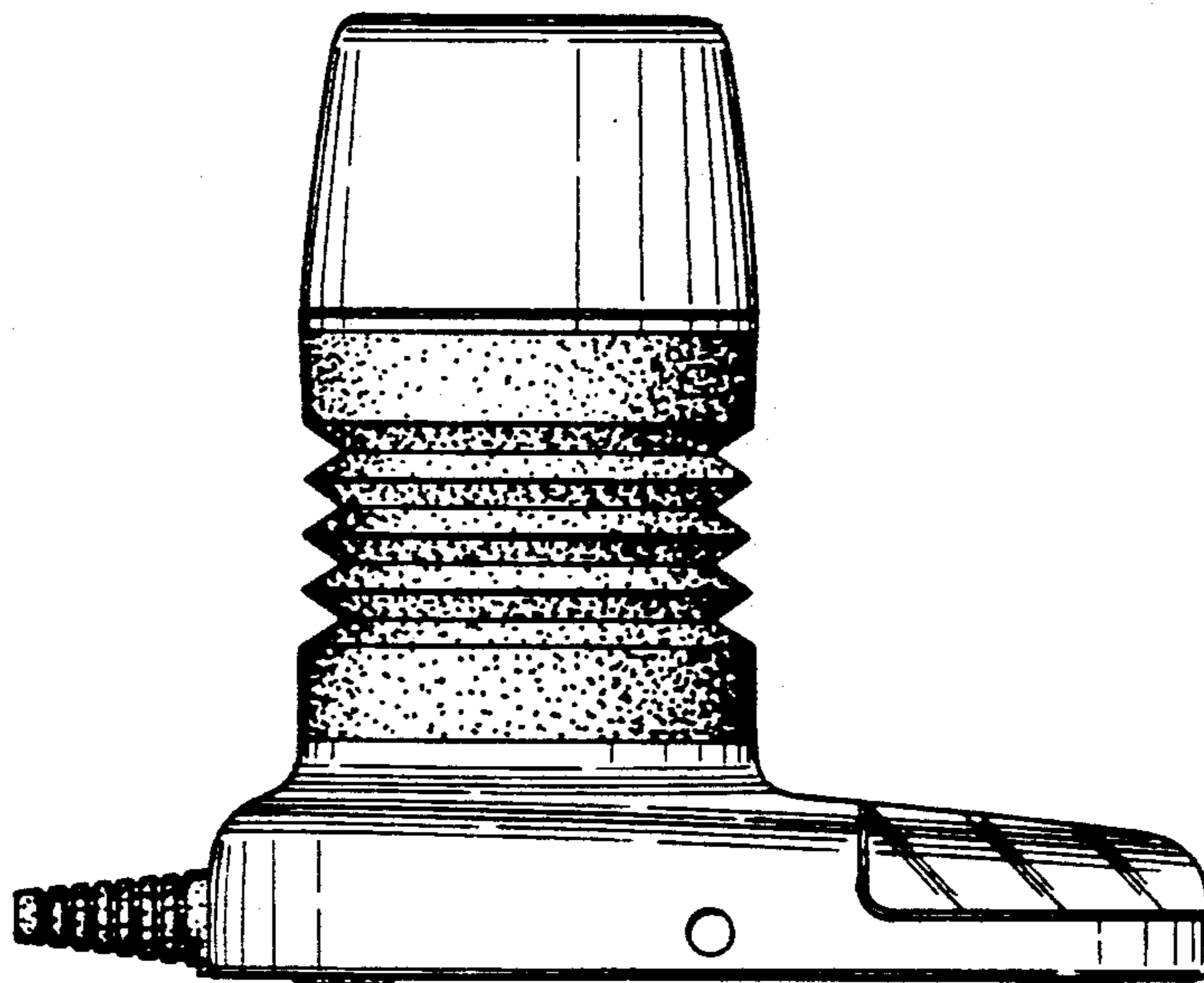


FIG. 5

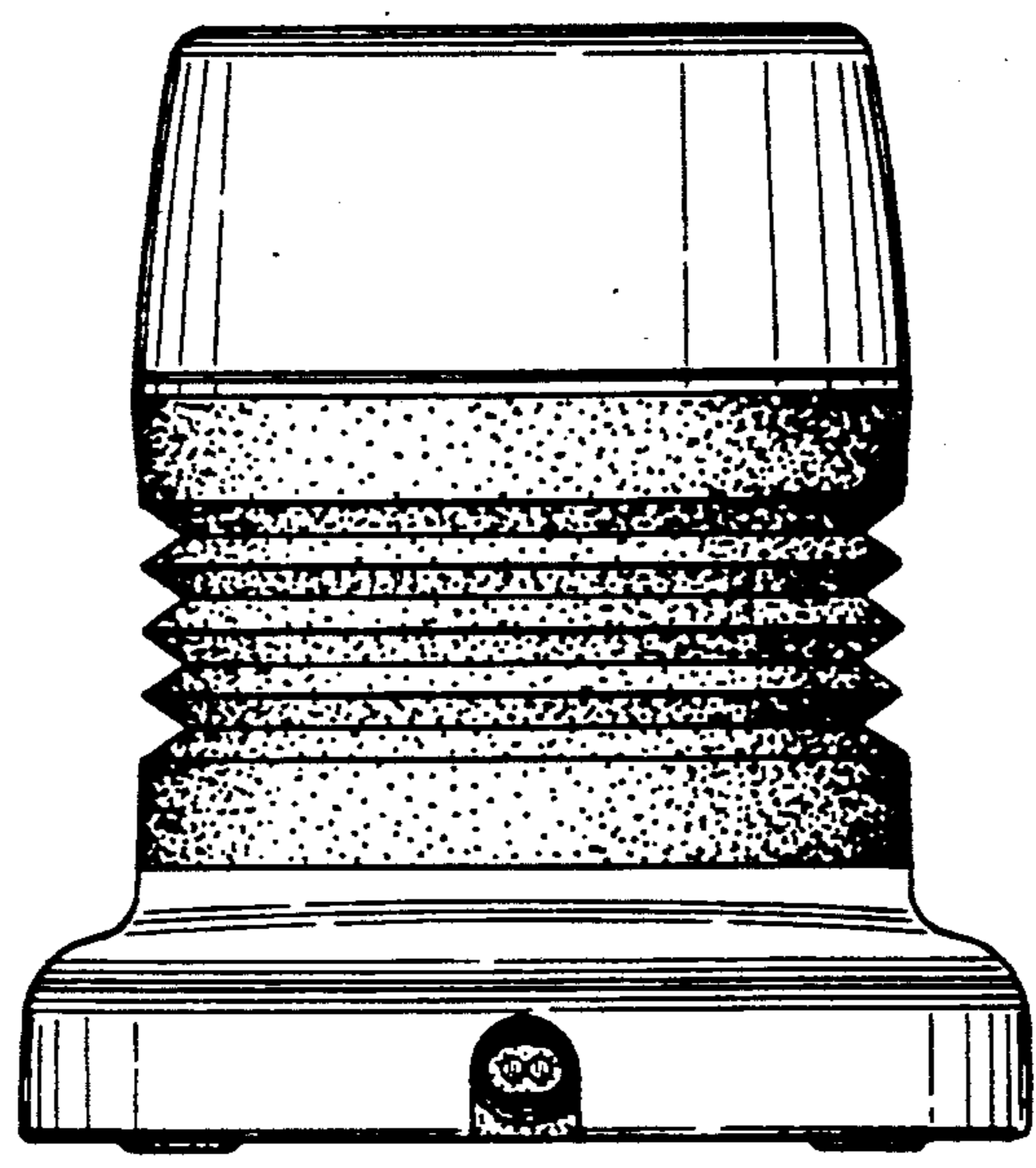


FIG. 6

