

[54] BATTERY CASE

[76] Inventors: Wendell G. Blount, P.O. Box 1032, Madison at Randolph St.; Henry L. Lackey, P.O. Drawer "T", both of Calhoun City, Miss. 38916; Ronald J. Mosetich, Rte, II Box 35, Kosciusko, Miss. 39090; Bedford F. Peeples, 1609 Derring St., Cleveland, Miss. 38732; David L. Kimbro, 138 Gregory St., Calhoun City, Miss. 38916; William J. Saunders, 6011 Patillo Way, Lithonia, Ga. 30058; Lloyd M. Yardley, 1222 Timberglen Ct., Lilburn, Ga. 30247; J. Douglas Alsup, 3302 Creekside Ct., Convers, Ga. 30208; Samuel C. Crosby, 1367 Red Fox Run, Lilburn, Ga. 30247

[**] Term: 14 Years

[21] Appl. No.: 322,232

[22] Filed: Mar. 13, 1989

[52] U.S. Cl. D13/103; D13/184

[58] Field of Search D13/103, 184, 199; D14/137; 320/2, 3, 4; 455/127, 346; 429/96-100, 121, 123, 159, 176, 178; 136/230, 242, 252, 291

[56] References Cited

U.S. PATENT DOCUMENTS

D. 235,454	6/1975	Lindow, Jr.	D13/103 X
D. 274,513	7/1984	Frezzolini	D13/103
D. 298,029	11/1988	Foster	D13/119
D. 312,618	12/1990	Ambros	D13/184
3,771,686	11/1973	Brison	220/4.21
3,963,972	6/1976	Todd	320/2
4,435,966	3/1984	Craig	220/210 X

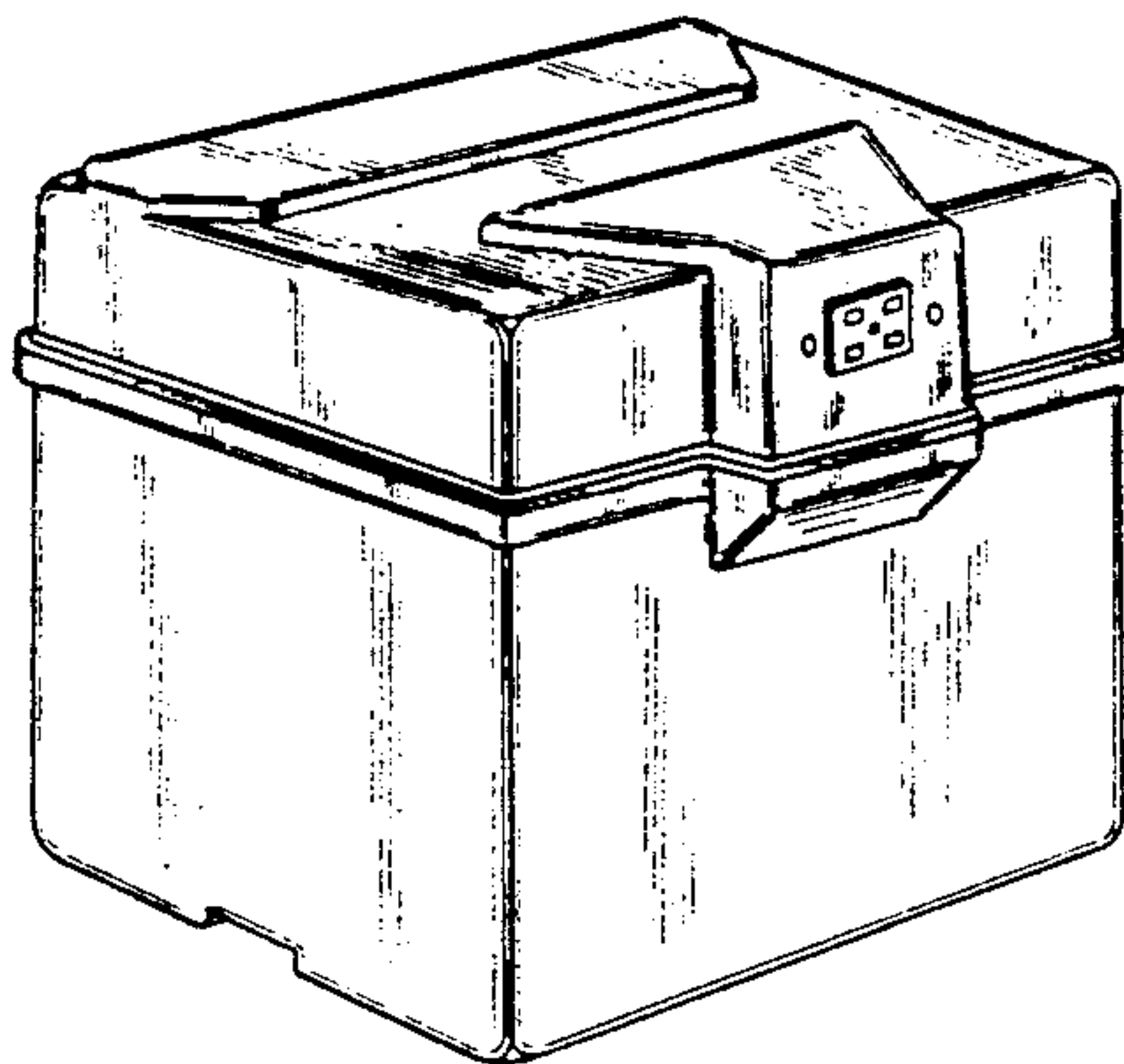
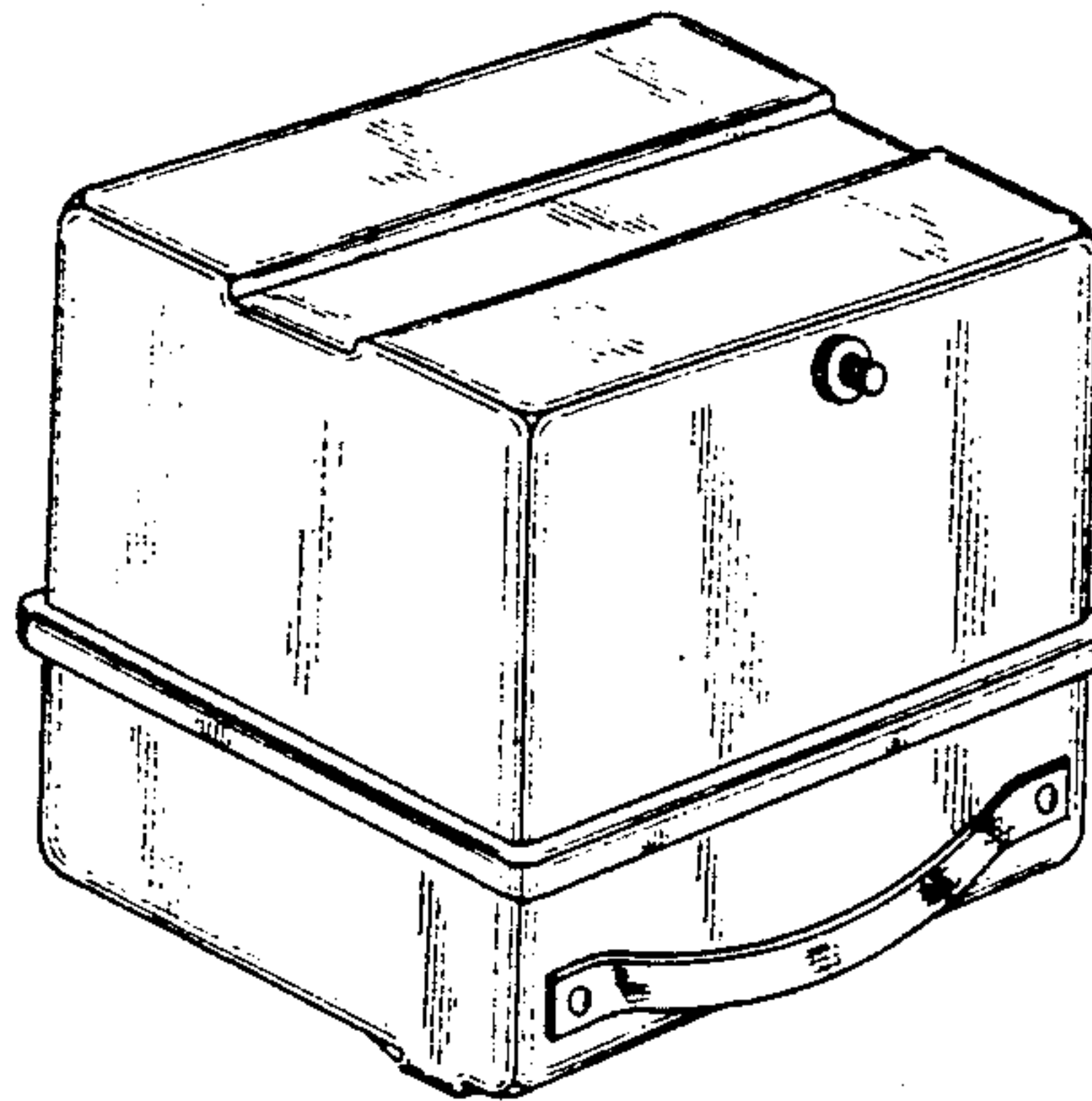
Primary Examiner—Susan J. Lucas
Assistant Examiner—J. Sincavage
Attorney, Agent, or Firm—Dowell & Dowell

[57] CLAIM

The ornamental design for a battery case, as shown and described.

DESCRIPTION

FIG. 1 is a front perspective view of the battery case showing our new design;
FIG. 2 is a top plan view thereof;
FIG. 3 is a front elevational view thereof;
FIG. 4 is a right side elevational view thereof;
FIG. 5 is a left side elevational view thereof;
FIG. 6 is a rear elevational view thereof;
FIG. 7 is a bottom plan view thereof;
FIG. 8 is a rear perspective view taken from the bottom thereof.



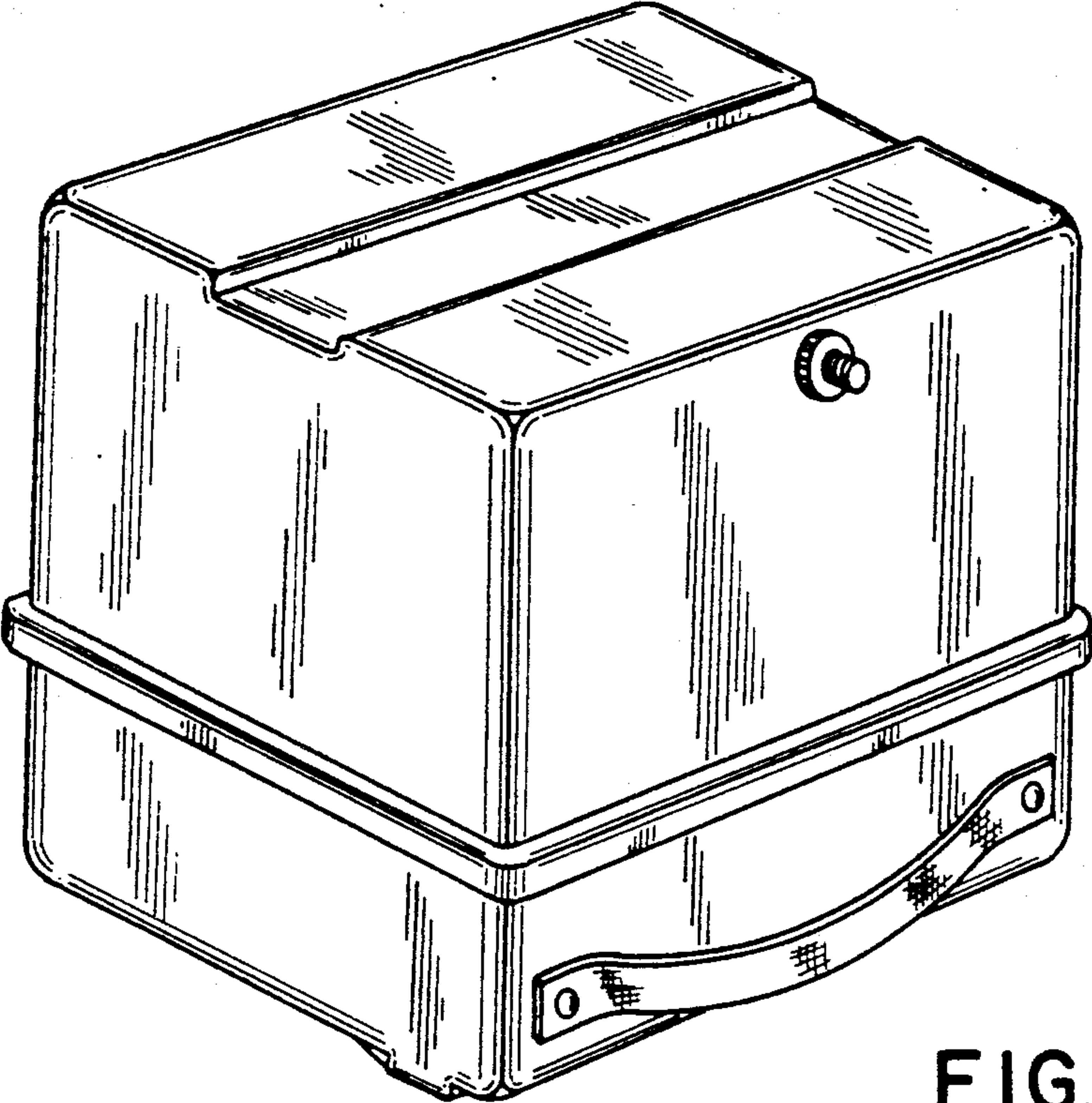


FIG. 1

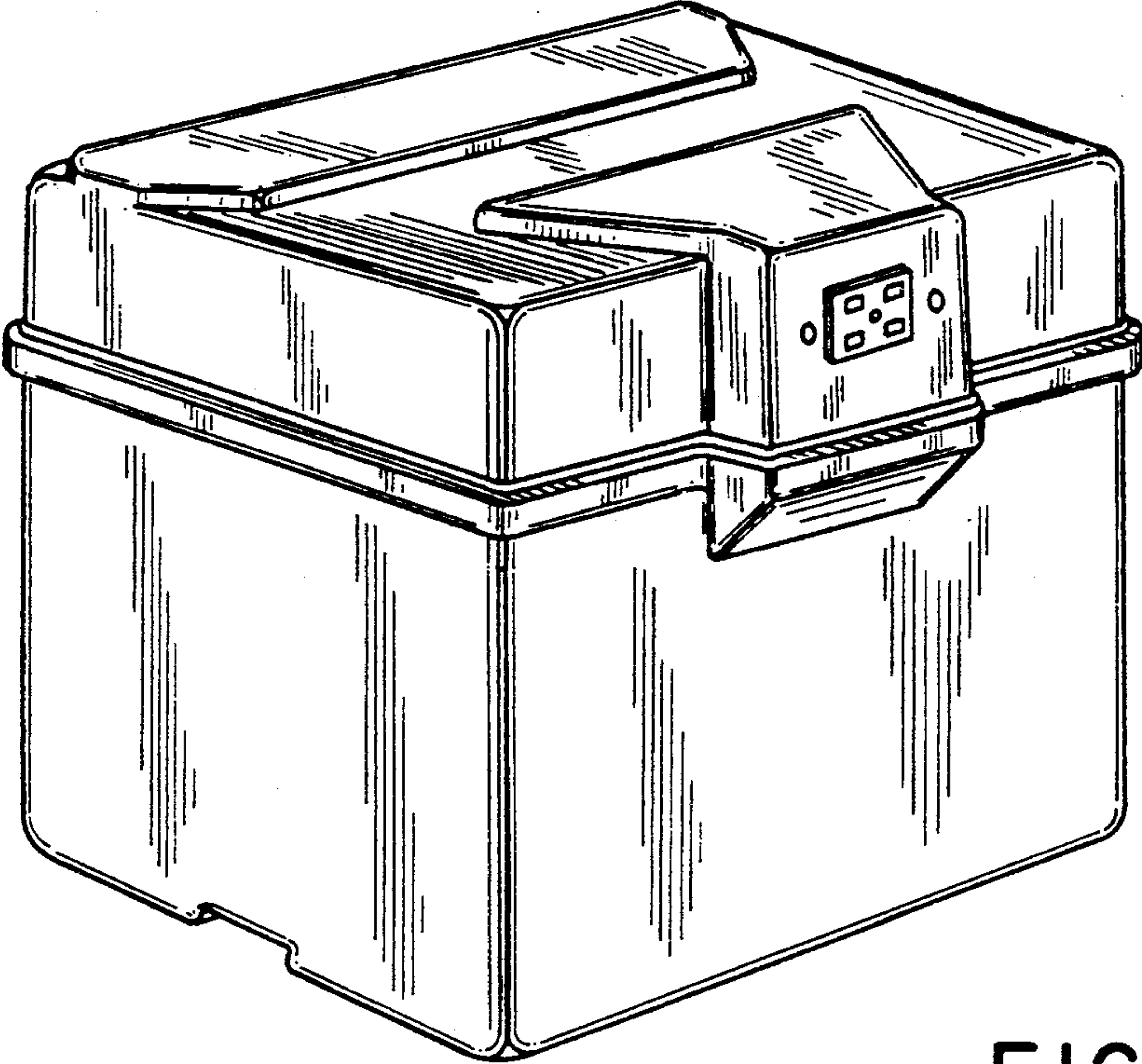


FIG. 8

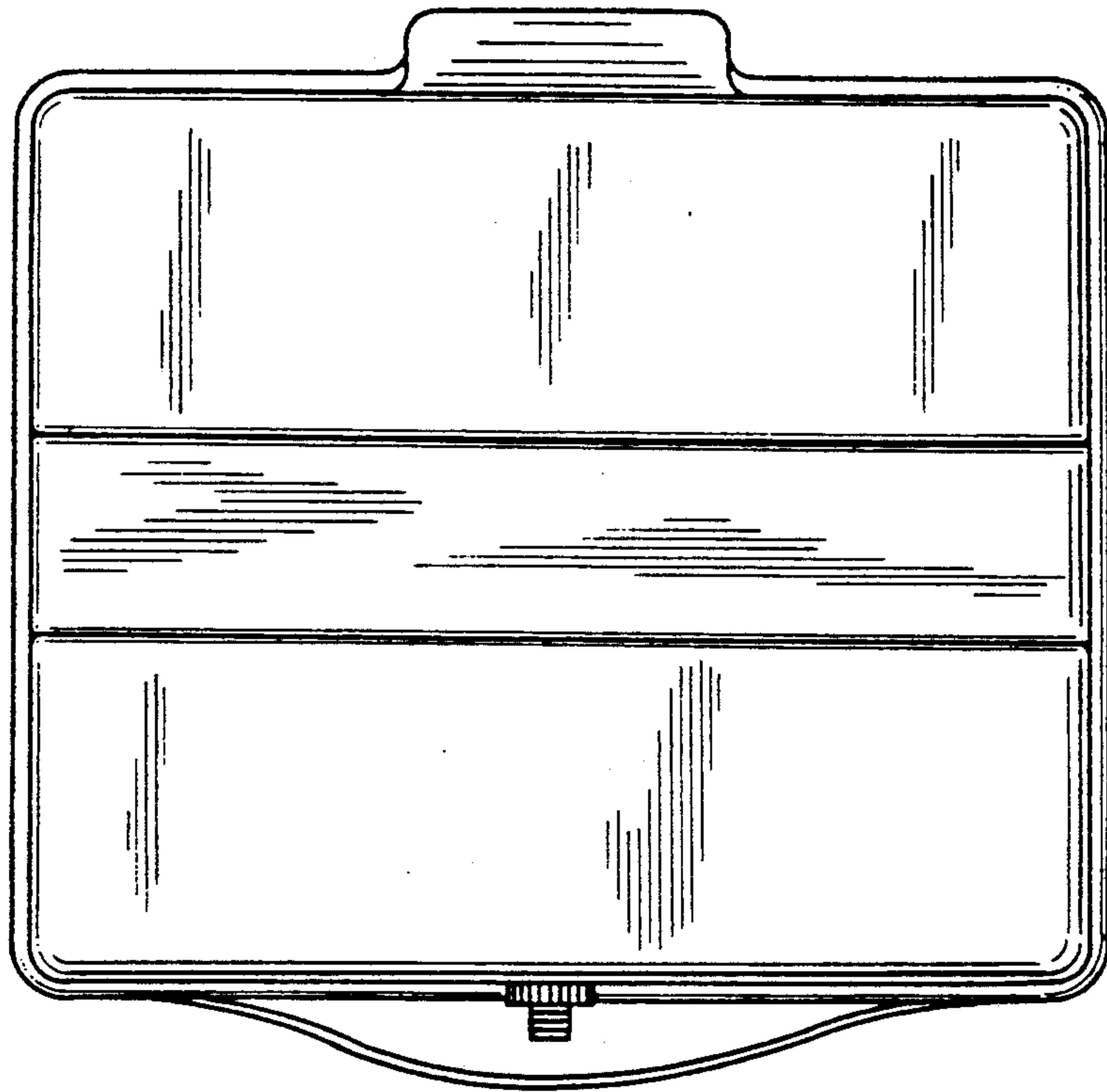


FIG. 2

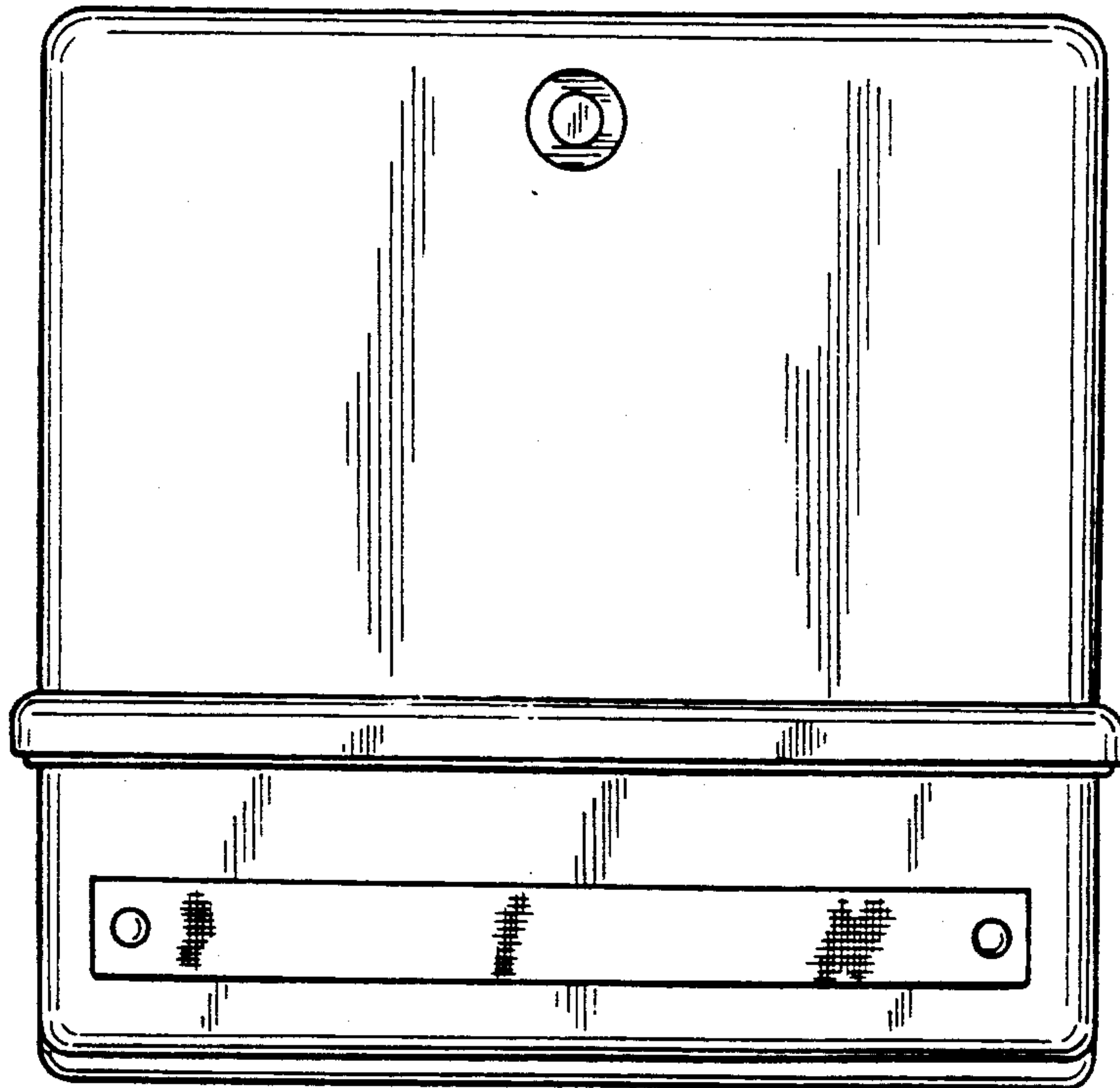


FIG. 3

FIG. 4

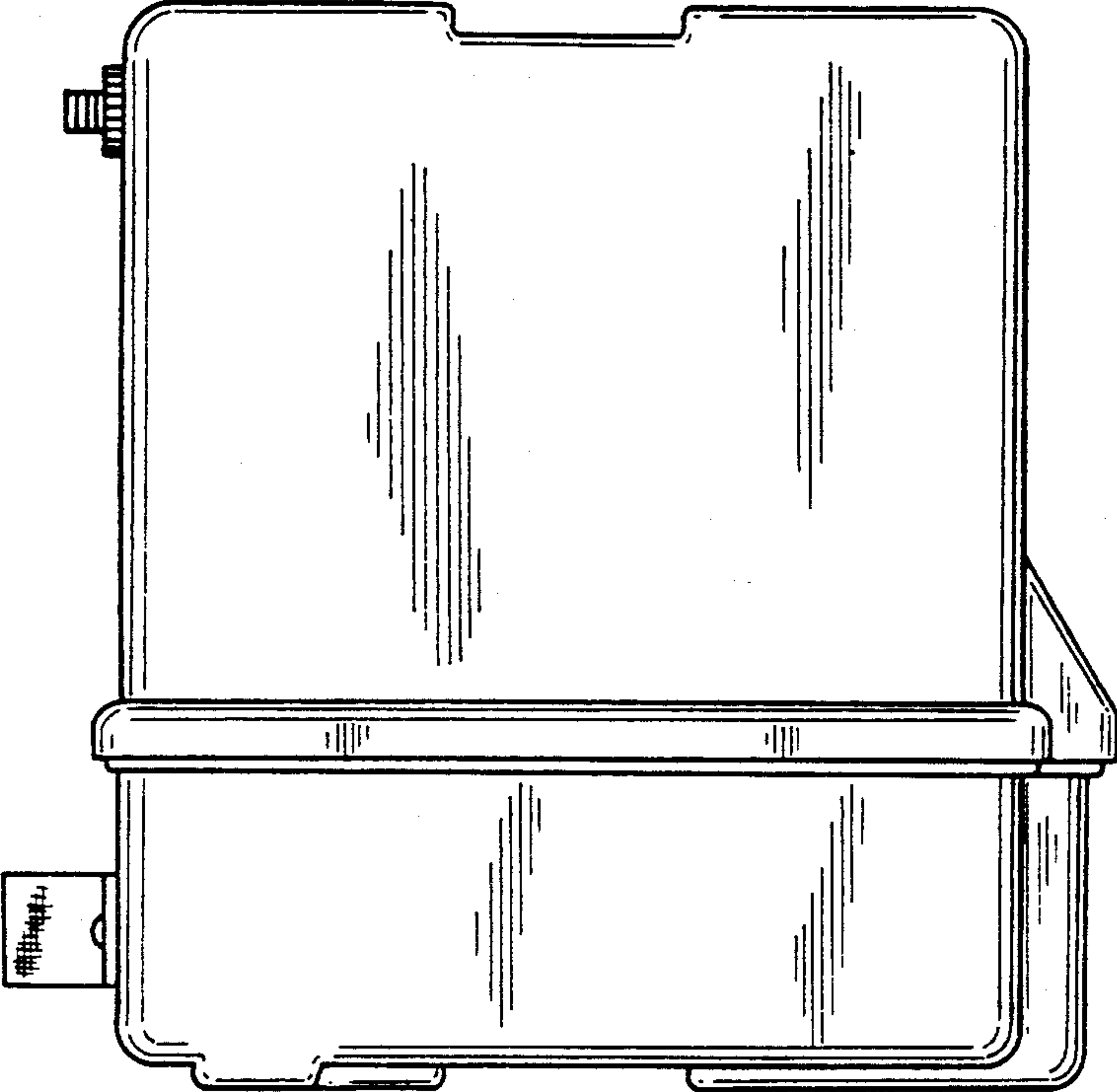
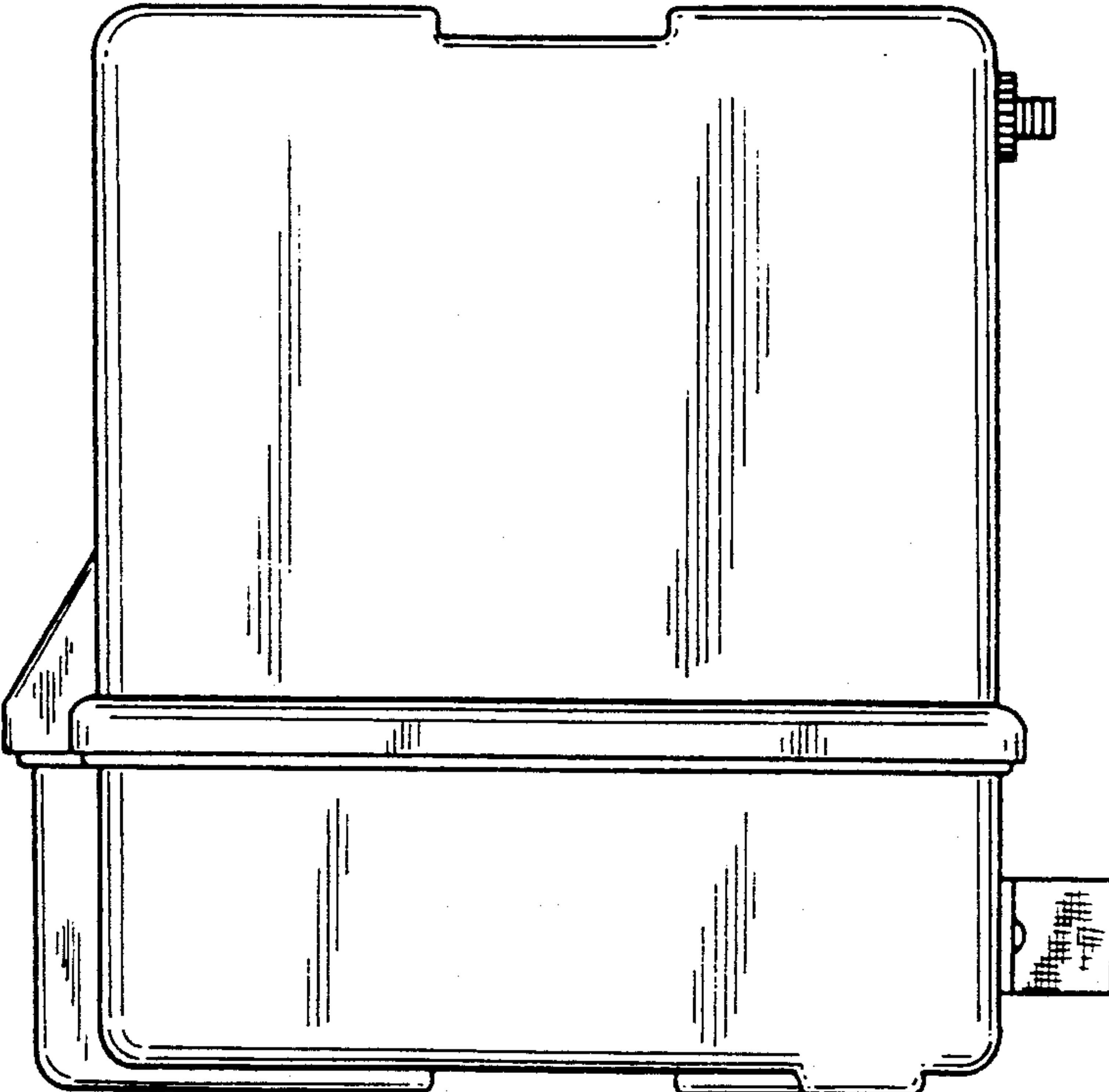


FIG. 5



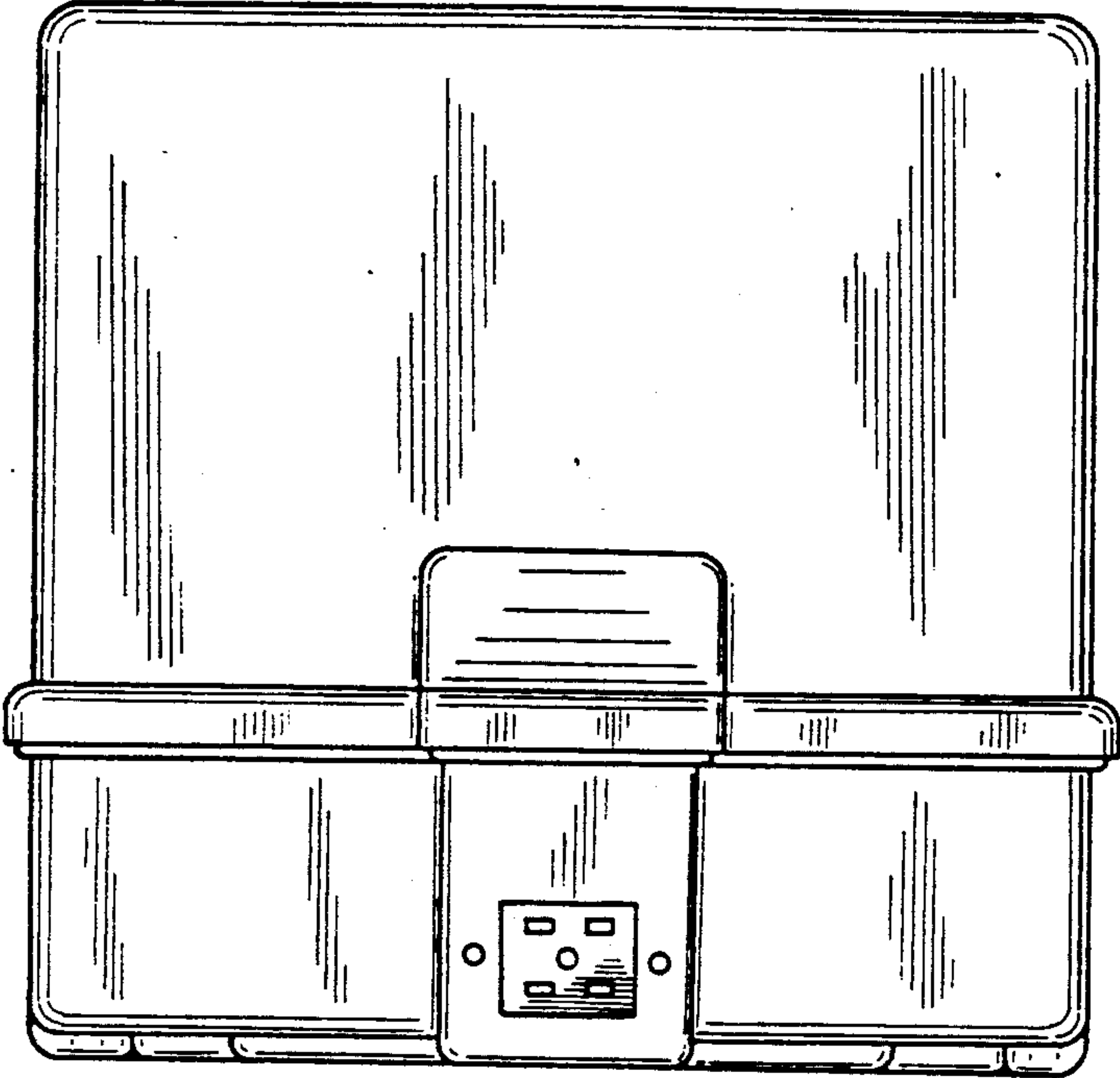


FIG. 6

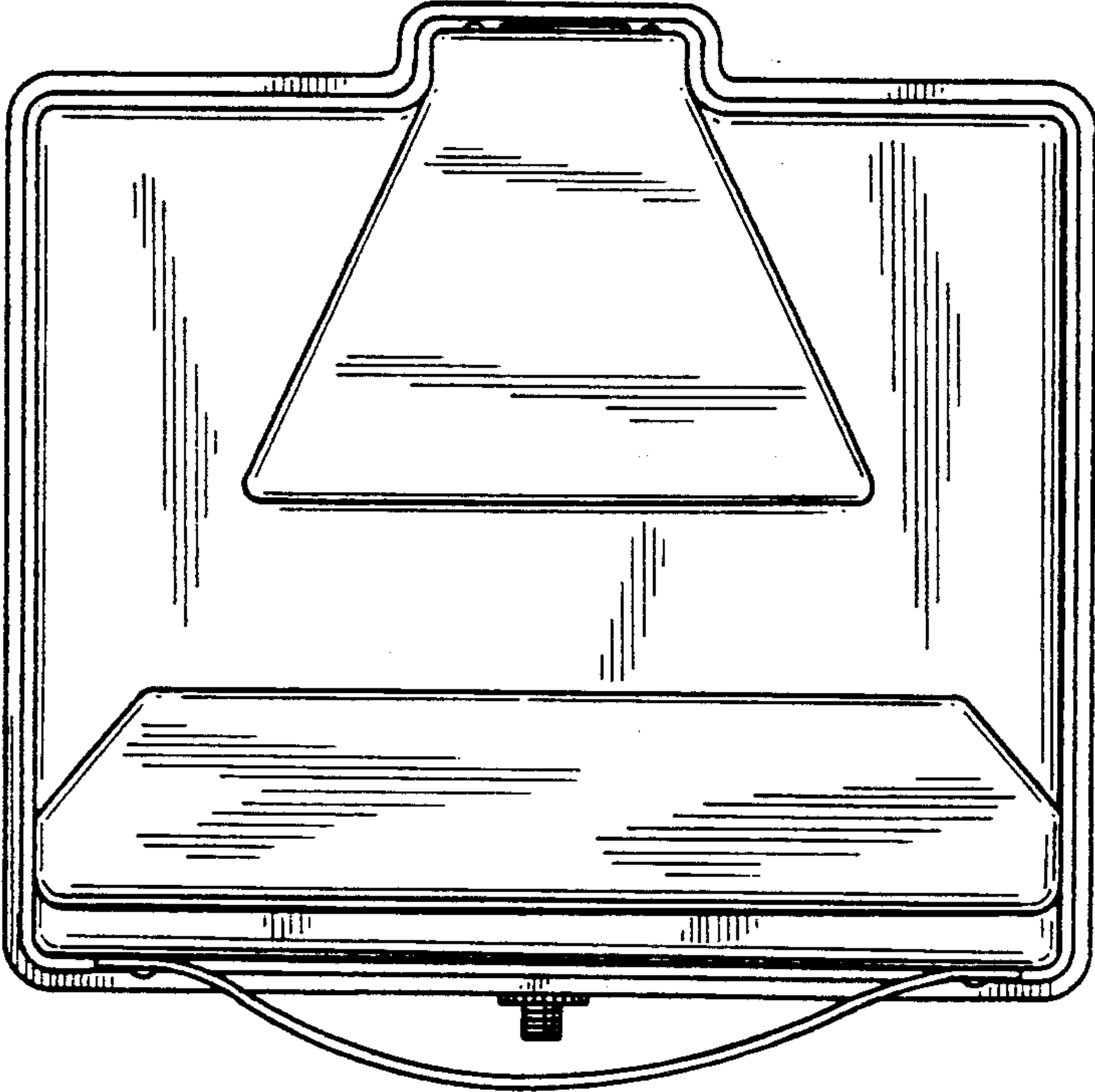


FIG. 7