

[54] ELECTRICAL TIMER

[75] Inventor: Frederic W. Schwartz, Providence, R.I.

[73] Assignee: Cable Electric Products, Inc., Providence, R.I.

[**] Term: 14 Years

[21] Appl. No.: 655,131

[22] Filed: Feb. 27, 1991

[52] U.S. Cl. D10/40

[58] Field of Search D10/40, 41, 42;
307/139, 141, 141.4, 141.8; 368/1, 2, 3, 4, 13

[56] References Cited

U.S. PATENT DOCUMENTS

- D. 276,507 11/1984 Nocon D10/40
D. 285,419 9/1986 Schwartz D10/40

- D. 295,502 5/1988 Dey D10/40
D. 298,417 11/1988 Sund et al. D10/40
D. 298,418 11/1988 Sund et al. D10/40

Primary Examiner—Bruce W. Dunkins
Assistant Examiner—Antoine D. Davis
Attorney, Agent, or Firm—Paul J. Sutton

[57] CLAIM

The ornamental design for an electrical timer, as shown and described.

DESCRIPTION

FIG. 1 is a top, front and right side perspective view of an electrical timer showing my new design, with the cover shown in an open position;
FIG. 2 is a top plan view;
FIG. 3 is a front elevational view;
FIG. 4 is a left side elevational view;
FIG. 5 is a rear elevational view; and
FIG. 6 is a bottom plan view thereof.

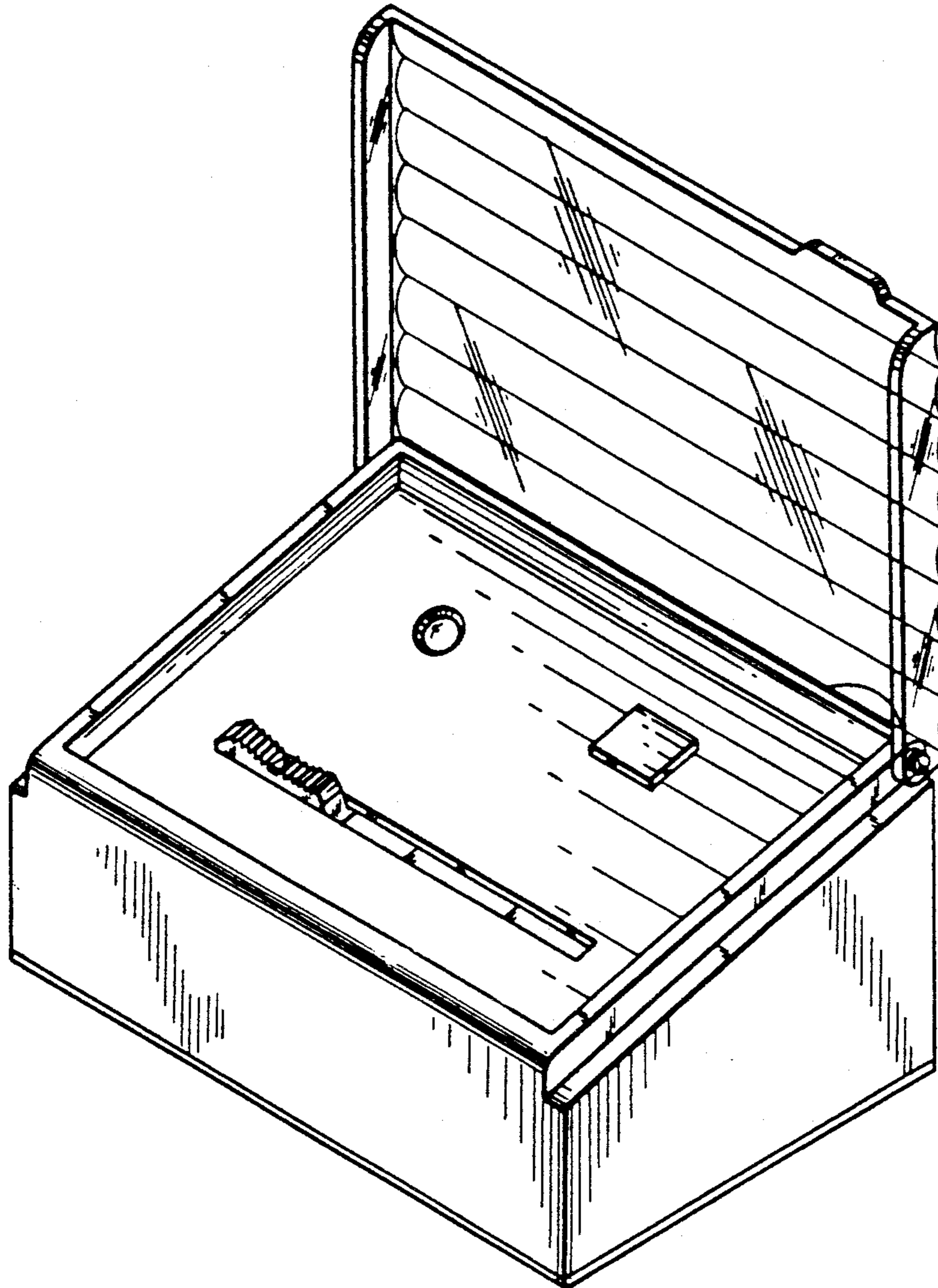


FIG. 1

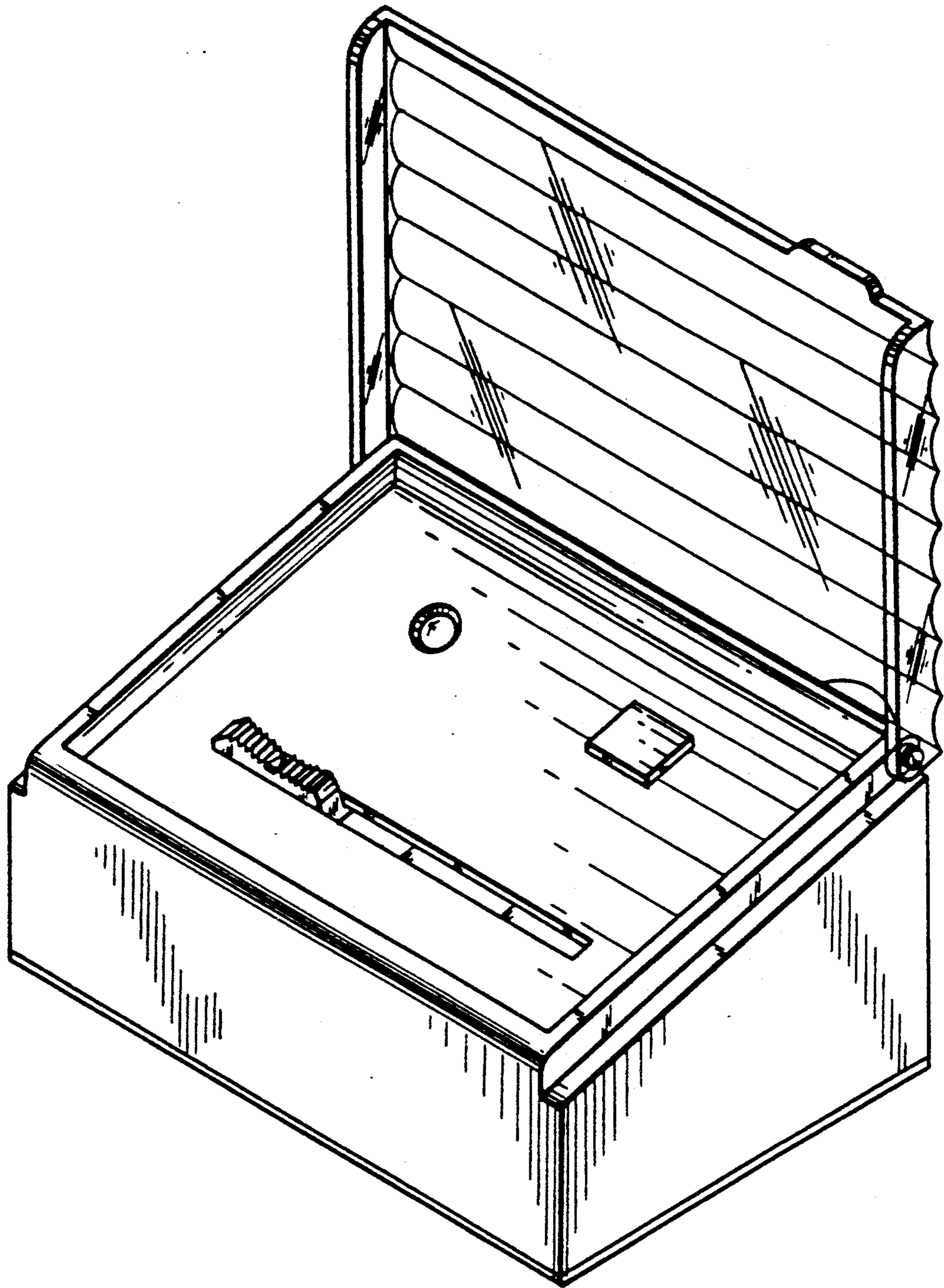


FIG. 2

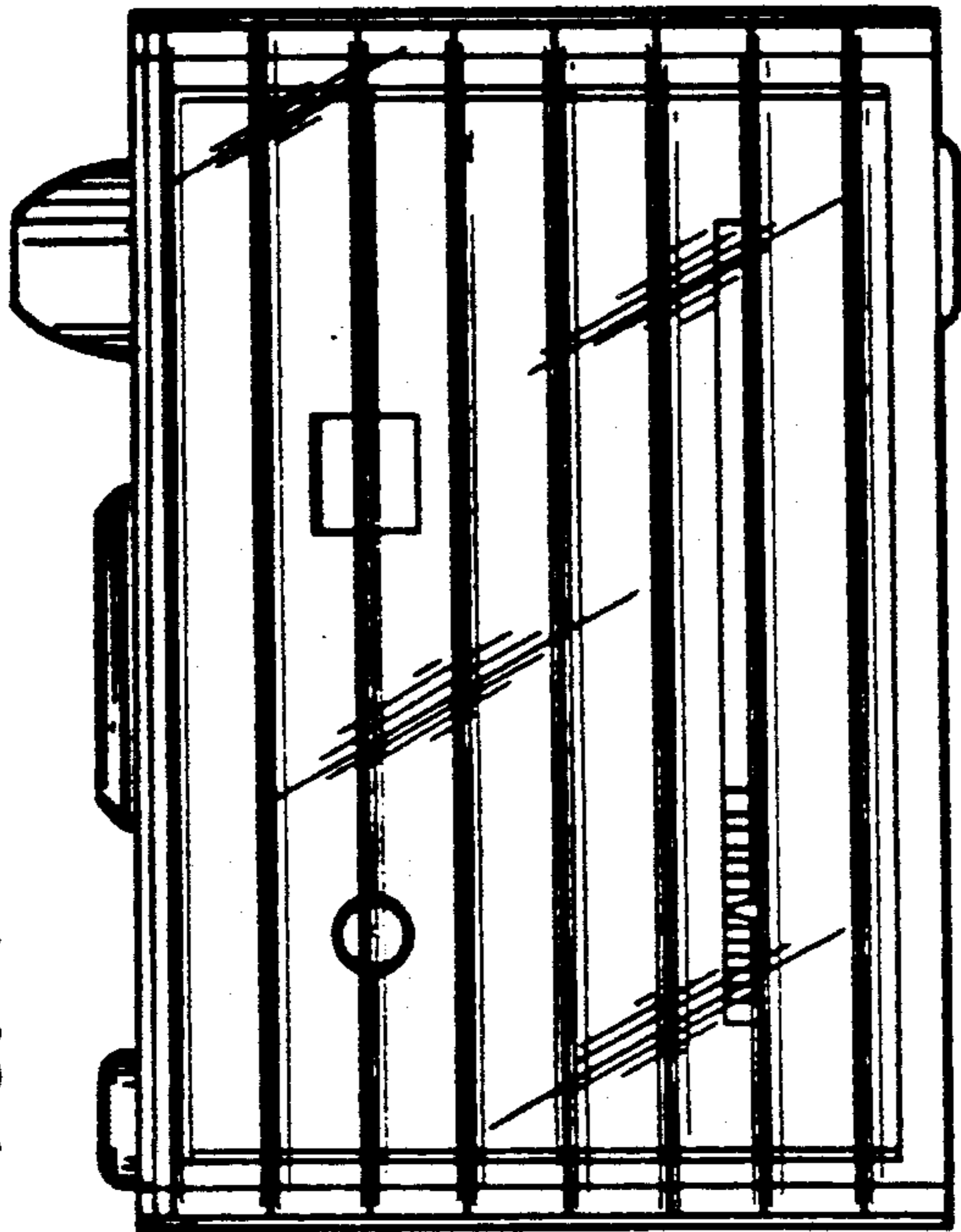


FIG. 3

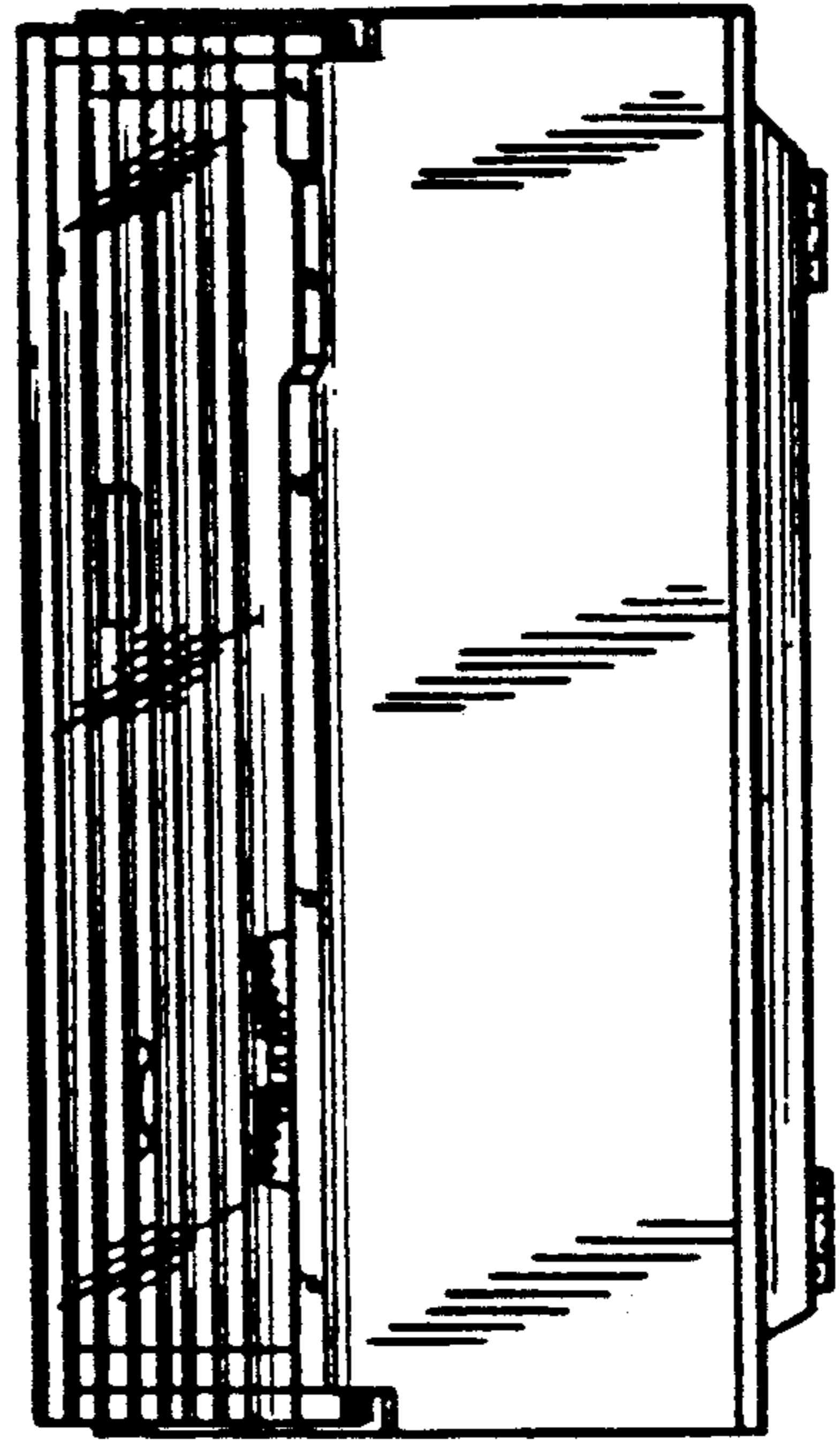


FIG. 4

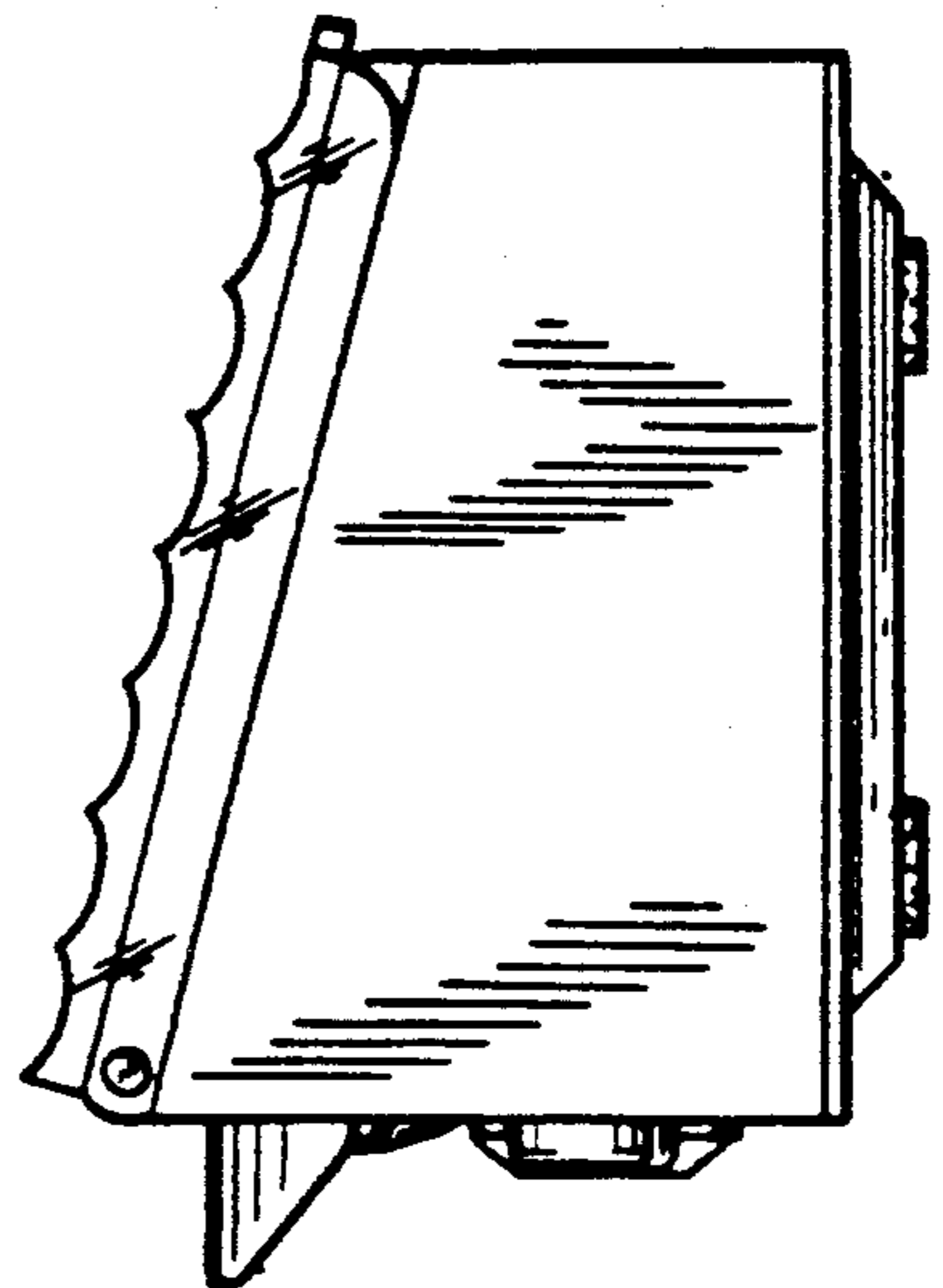


FIG. 5

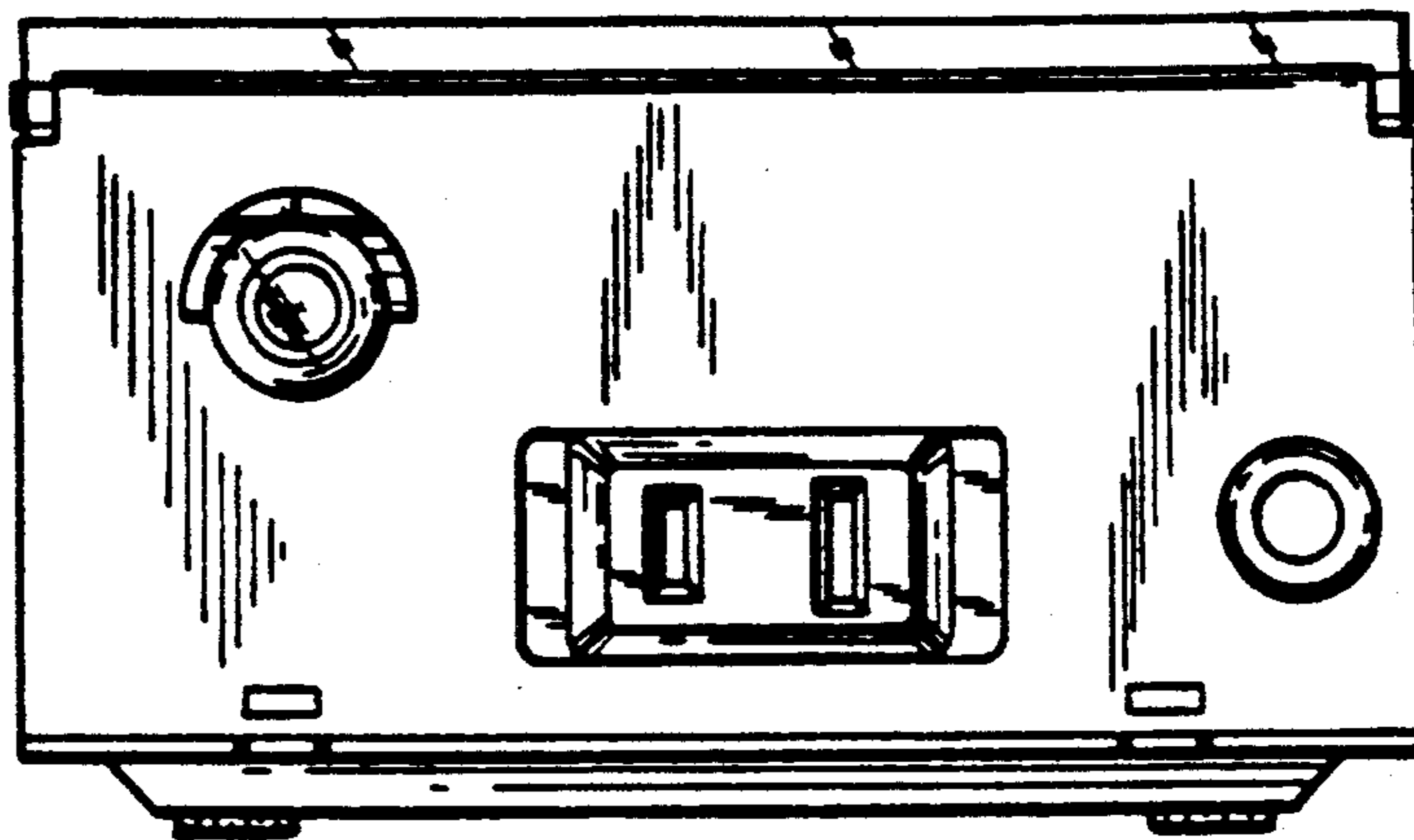
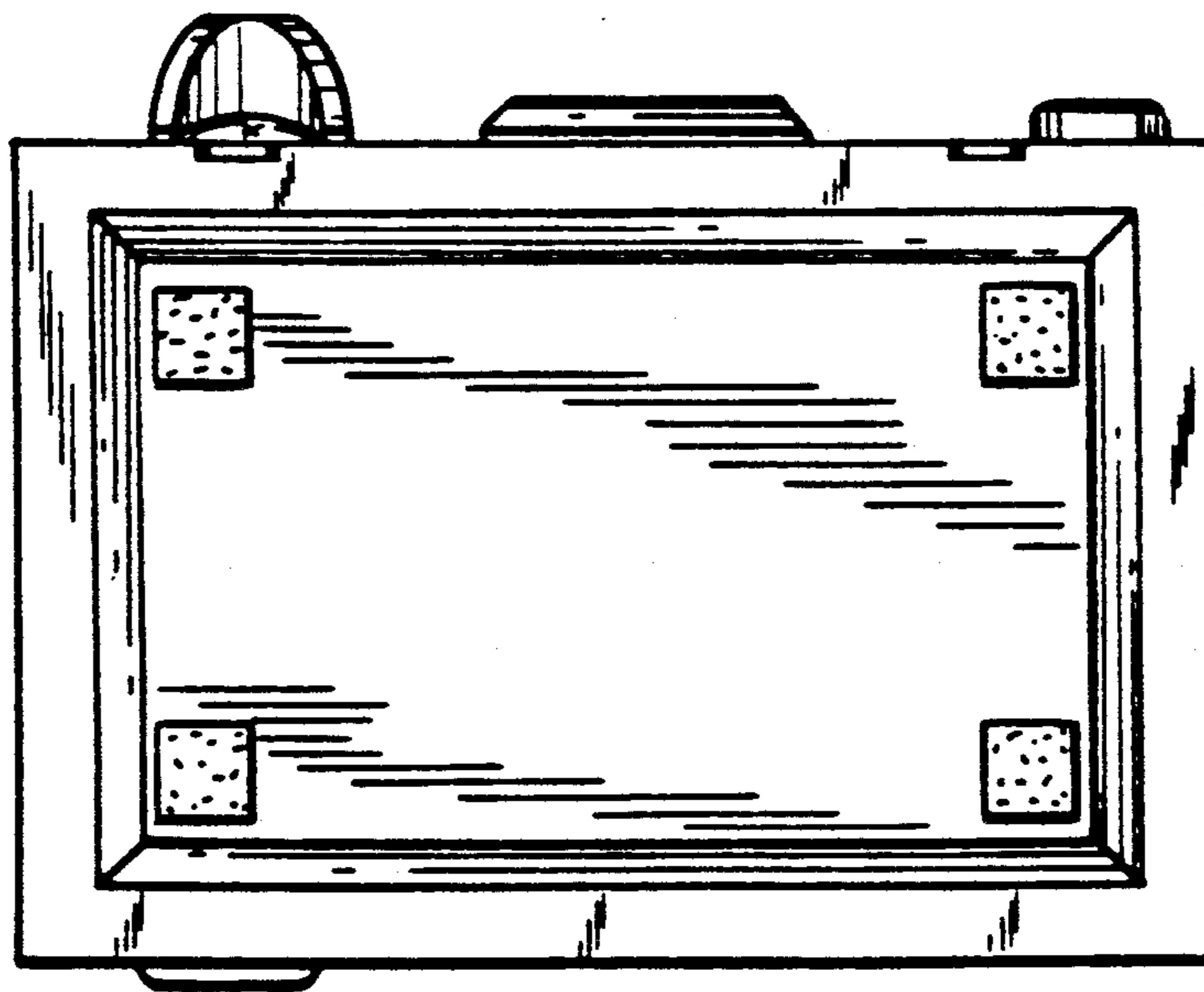


FIG. 6



UNITED STATES PATENT AND TRADEMARK OFFICE
CERTIFICATE OF CORRECTION

PATENT NO. : Des. 321,668
DATED : November 19, 1991
INVENTOR(S) : Frederic W. Schwartz

It is certified that error appears in the above-identified patent and that said Letters Patent is hereby corrected as shown below:

On the title page at "[21]", change "Appl.
No. 655,131 to --665,131--.

**Signed and Sealed this
Ninth Day of March, 1993**

Attest:

Attesting Officer

STEPHEN G. KUNIN

Acting Commissioner of Patents and Trademarks