

[54] WATCH CASE AND ATTACHMENT

[75] Inventor: Mary A. Kennedy, Brewster, N.Y.

[73] Assignee: Timex Corporation, Waterbury, Conn.

[\*\*] Term: 14 Years

[21] Appl. No.: 346,091

[22] Filed: May 1, 1989

[52] U.S. Cl. .... D10/30; D10/38; D10/128

[58] Field of Search ..... D10/1-39, D10/122-124, 126, 128; 368/276-286

[56] References Cited

U.S. PATENT DOCUMENTS

D. 116,246 8/1939 Silverman ..... D11/3 4,939,913 7/1990 Scungio et al. .... 368/285 X

OTHER PUBLICATIONS

Best Catalogue; 1986/87; p. 87; #27 Armitron Watch.

Hong Kong Enterprise; 7/1987; p. 315; #CQ56 watch third row from the bottom.

Goldschmiede Zeitung (European Jeweler); 6/1988; p. 55; upper right corner second watch from right.

Primary Examiner—Nelson C. Holtje  
Assistant Examiner—Caron D. Veynar  
Attorney, Agent, or Firm—William C. Crutcher

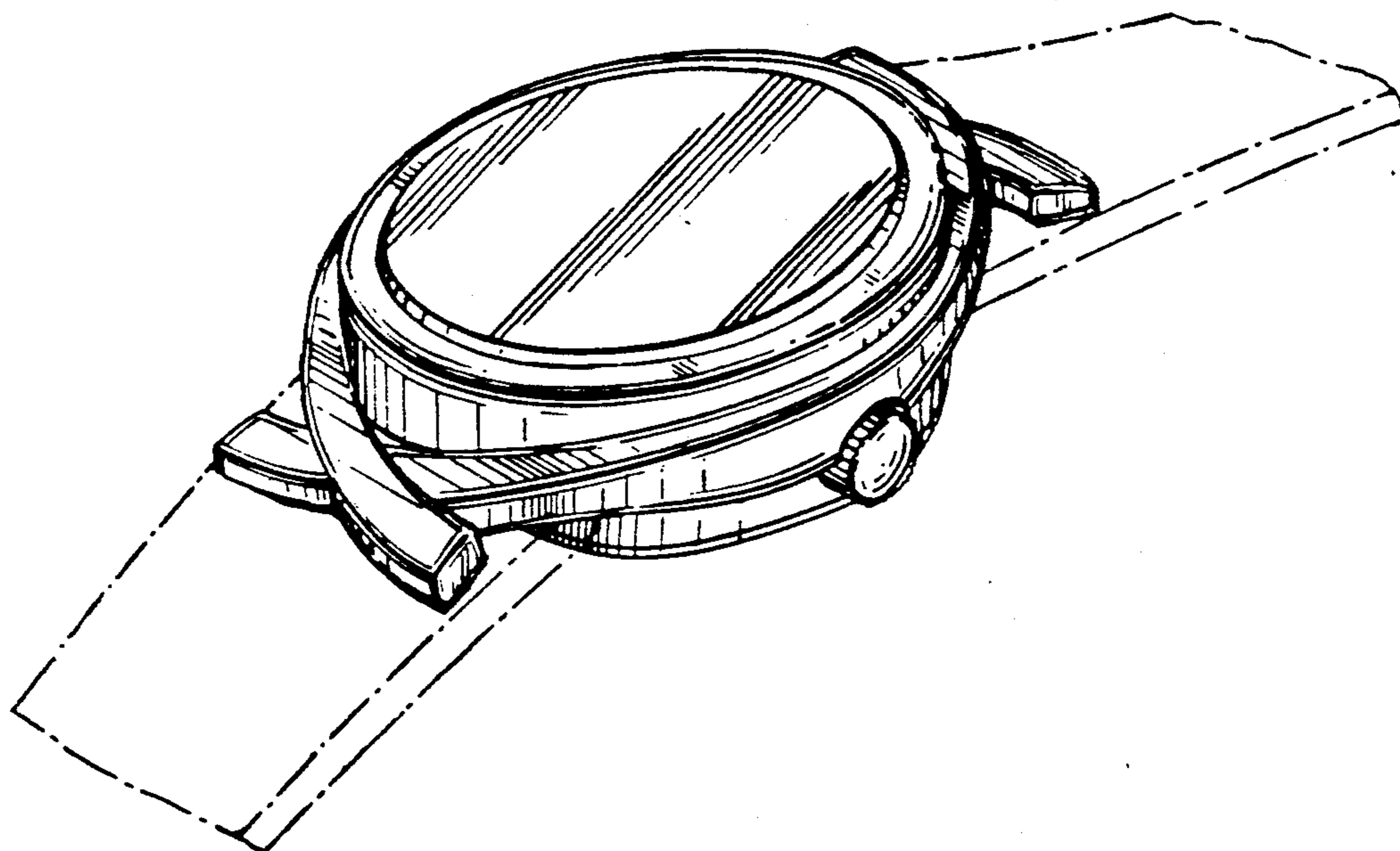
[57] CLAIM

The ornamental design for a watch case and attachment, as shown and described.

DESCRIPTION

FIG. 1 is a perspective view of a watch case and attachment showing my new design;  
FIG. 2 is a top plan view;  
FIG. 3 is a front elevational view, the rear elevational view being a mirror image;  
FIG. 4 is a bottom plan view;  
FIG. 5 is a left side elevational view;  
FIG. 6 is a right side elevational view.

The broken line showing of watch strap portions in FIGS. 1-6 is environmental only and forms no part of the claimed design.



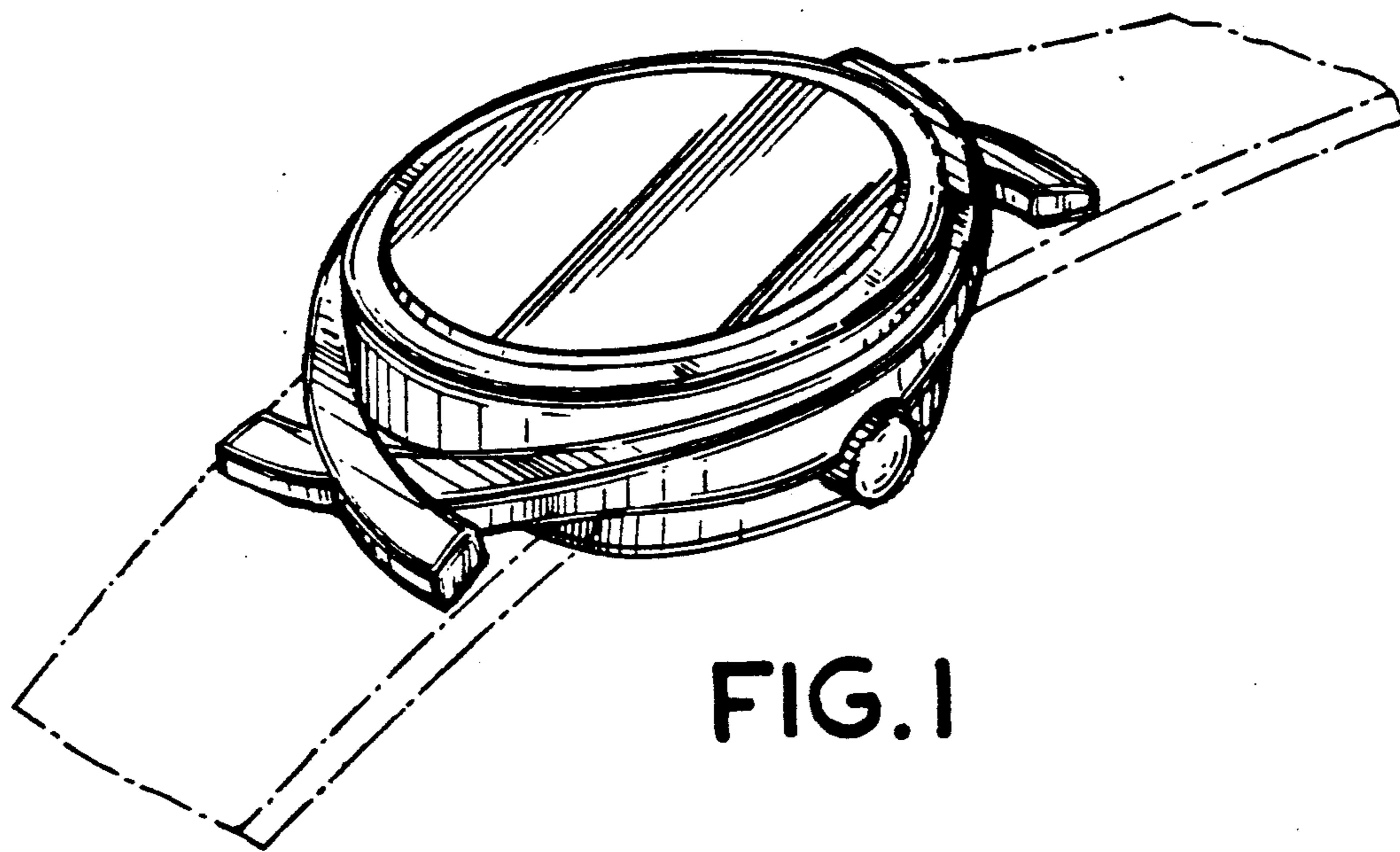


FIG. 1

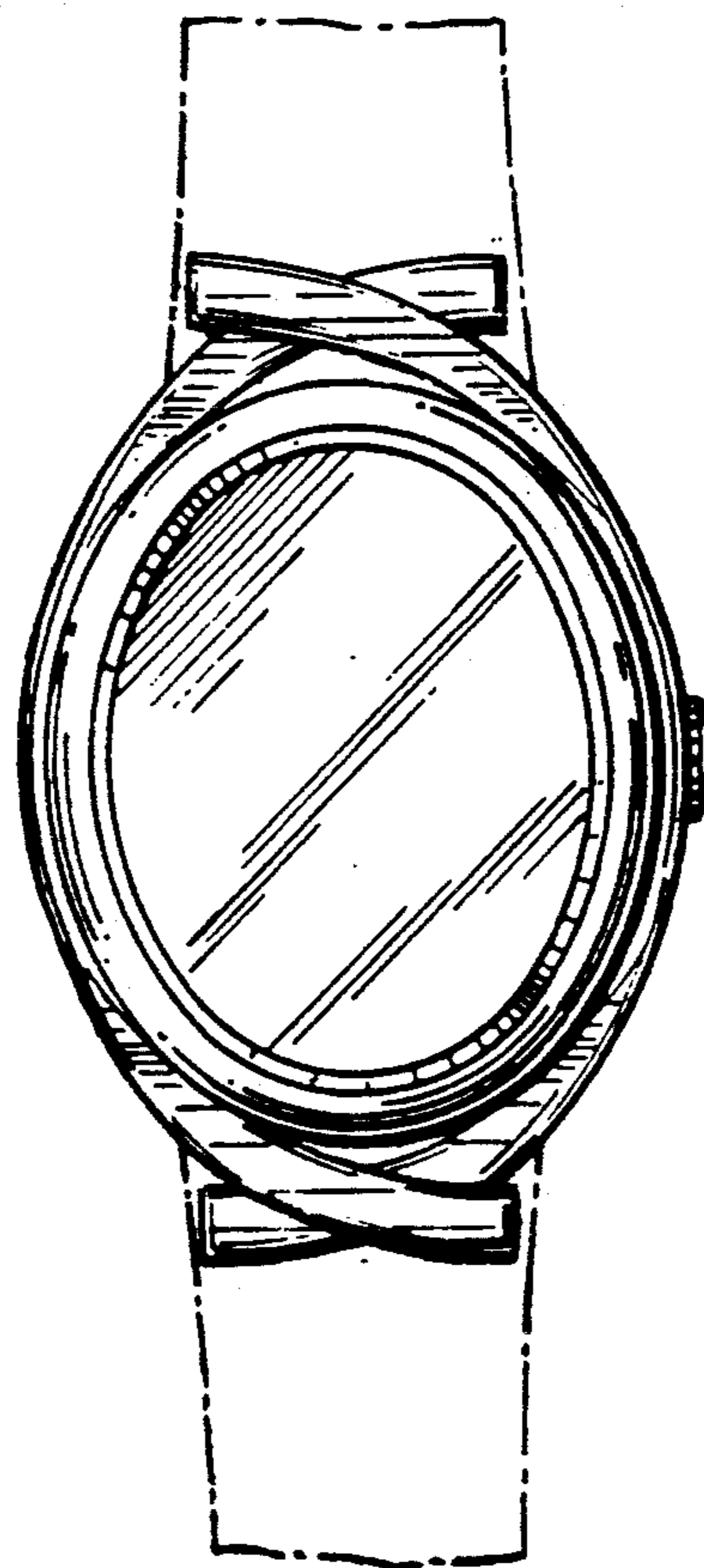


FIG. 2

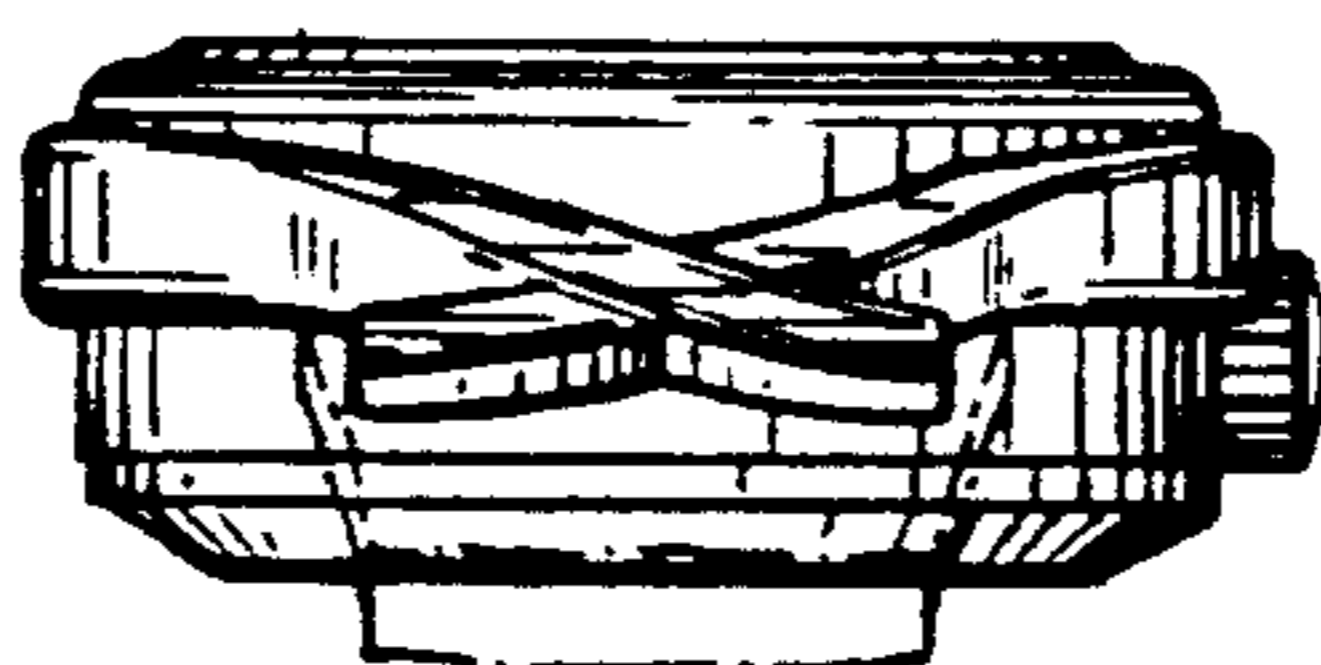


FIG. 3

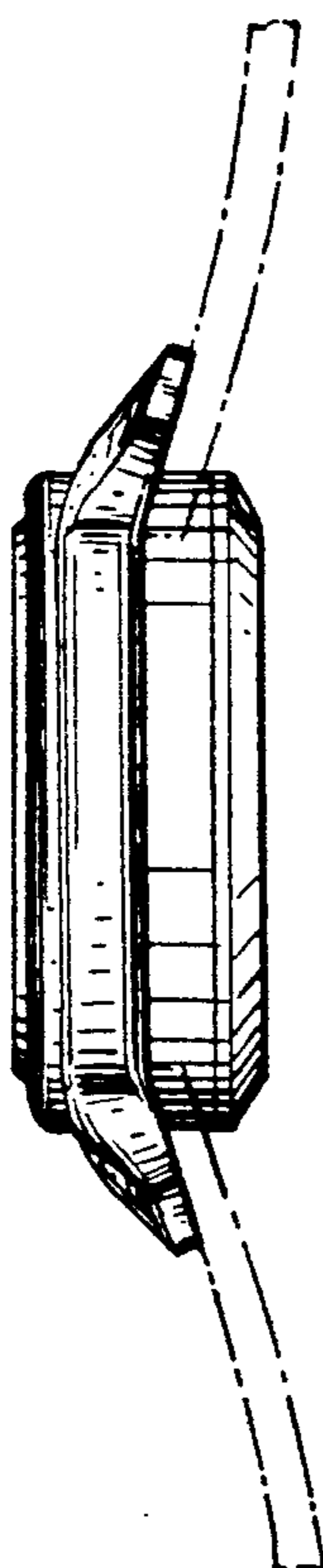


FIG. 5

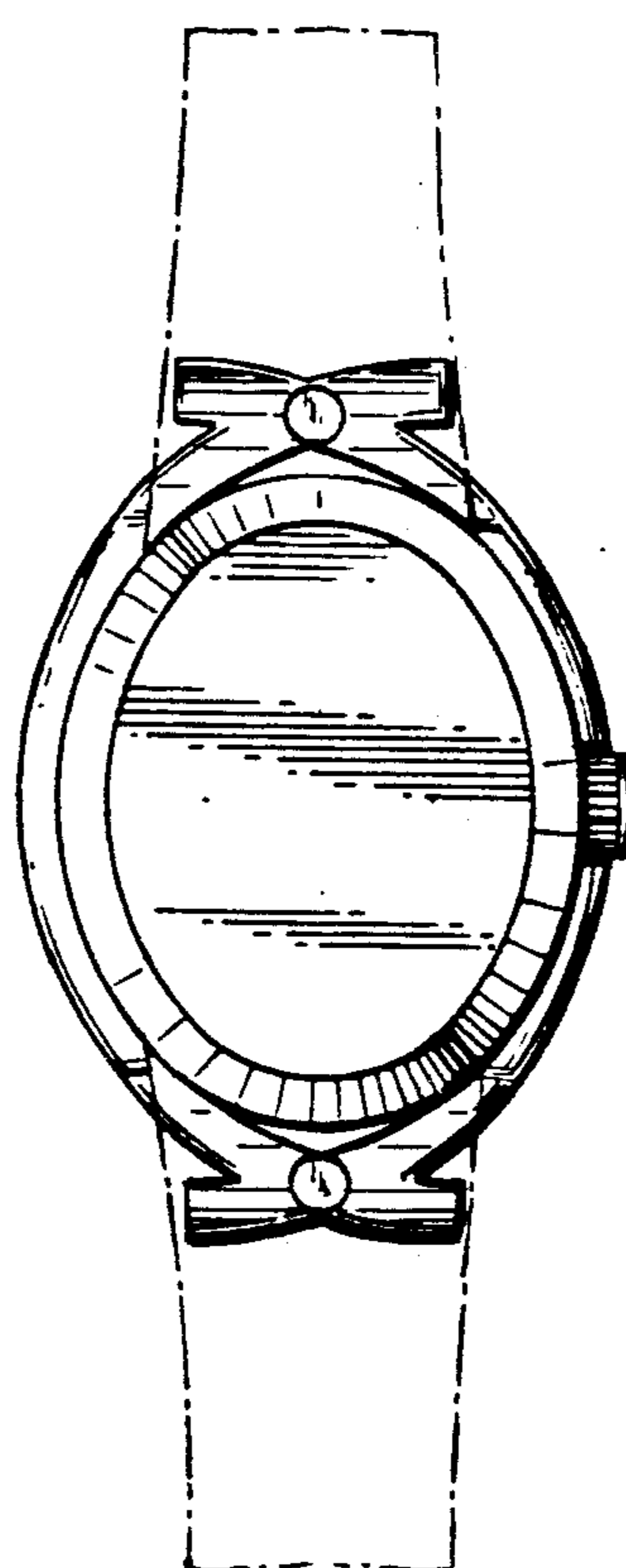


FIG. 4

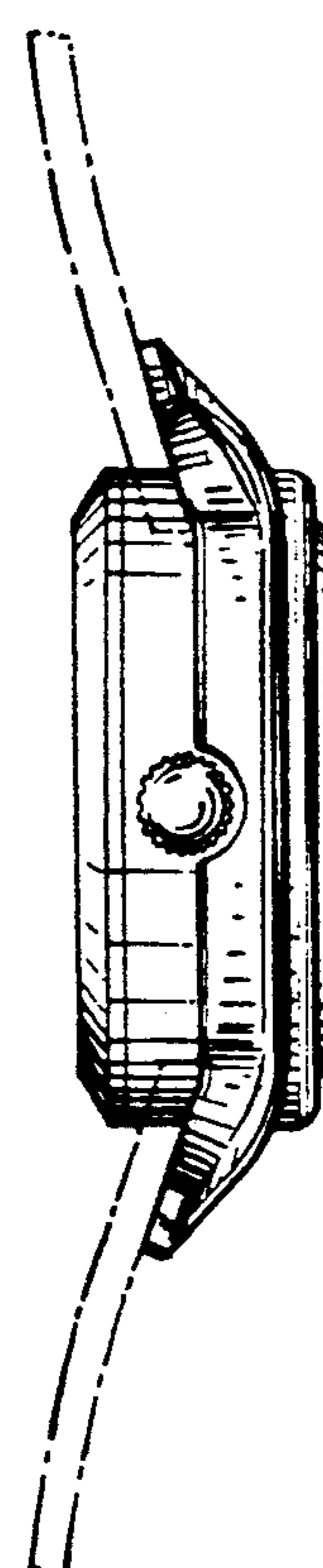


FIG. 6