

[54] COMBINED ALARM CLOCK, TISSUE CASE, AND PHOTO FRAME

3,736,742 6/1973 Maruchi 368/10

[76] Inventor: Chuan K. Lai, No. 3, Lane 133, Sec. 1, Chungshan Rd., Tou Chia Village, Tan Tzu Hsiang, Taichung Hsien, Taiwan

FOREIGN PATENT DOCUMENTS

2542093 3/1977 Fed. Rep. of Germany 368/10
272326 3/1951 Switzerland 368/10

[**] Term: 14 Years

Primary Examiner—Nelson C. Holtje
Attorney, Agent, or Firm—Steinberg & Raskin

[21] Appl. No.: 275,794

[57] CLAIM

[22] Filed: Nov. 25, 1988

The ornamental design for a combined alarm clock, tissue case and photo frame, as shown and described.

[52] U.S. Cl. D10/2; D6/518

DESCRIPTION

[58] Field of Search D10/1-40,
D10/122-132; 368/10, 11; D6/300, 518-519,
522, 524; D28/73

FIG. 1 is a front and top-right perspective view of a combined alarm clock, tissue case and photo frame showing my new design;

[56] References Cited

U.S. PATENT DOCUMENTS

D. 91,541 2/1934 Pedersen D6/518
D. 189,539 1/1961 Fitzsimonds D10/18
D. 205,637 8/1966 Wilson D6/519
D. 297,774 9/1988 Sussman D6/518 X

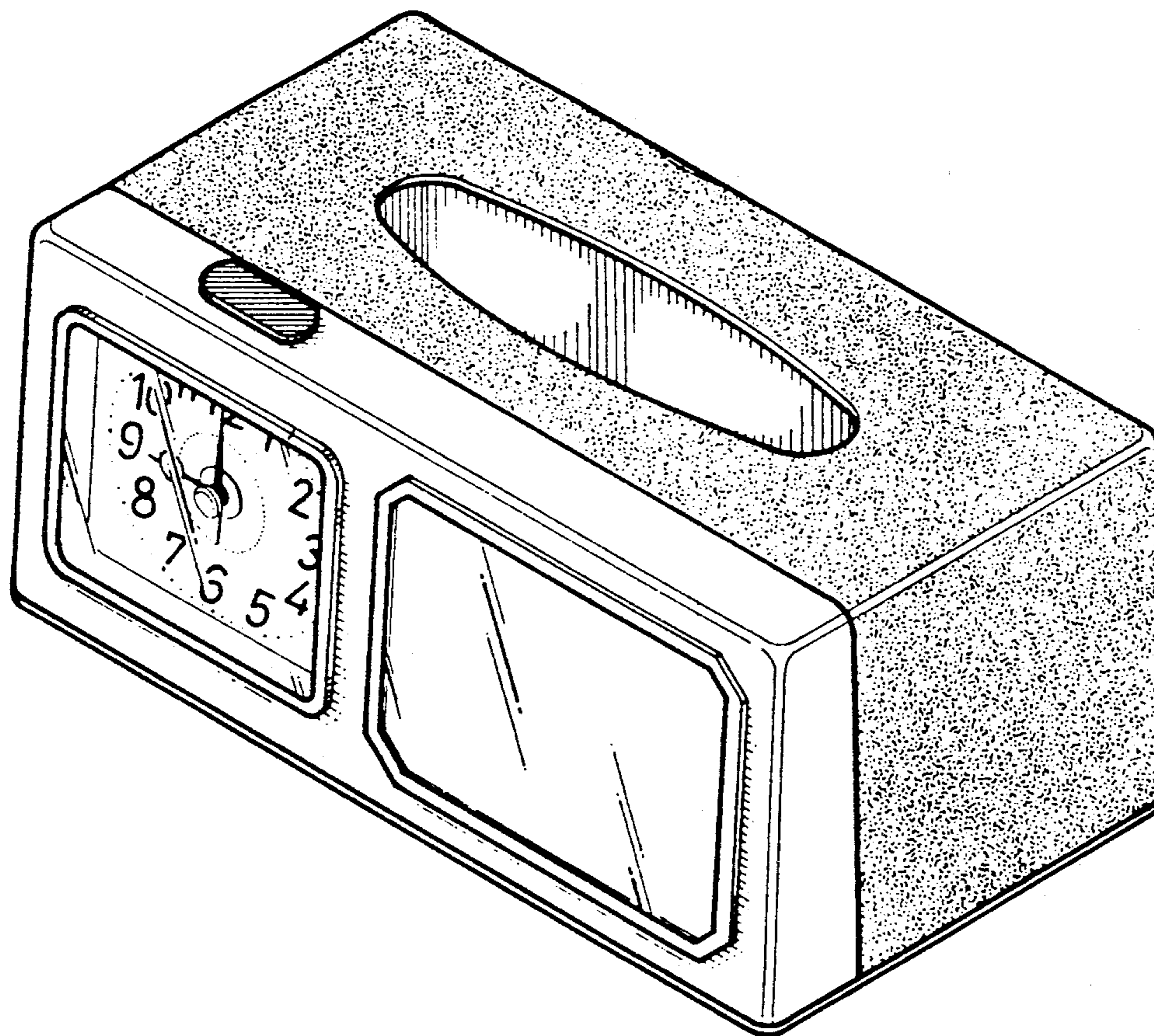
FIG. 2 is a front elevational view thereof;

FIG. 3 is a rear elevational view thereof;

FIG. 4 is a top plan view thereof;

FIG. 5 is a bottom plan view thereof;

FIG. 6 is a right side elevational view thereof, the left side view being a mirror image.



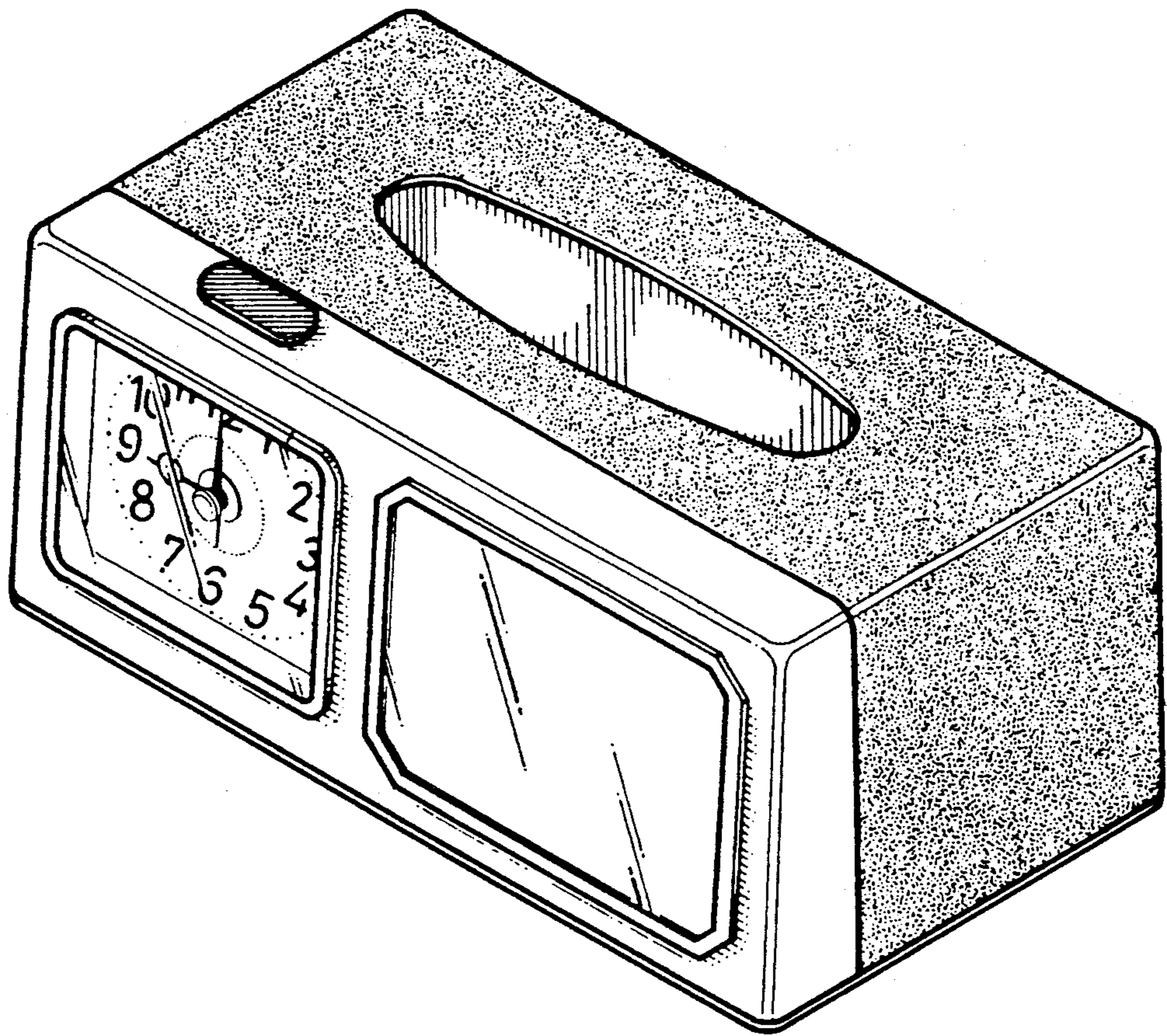


FIG. 1

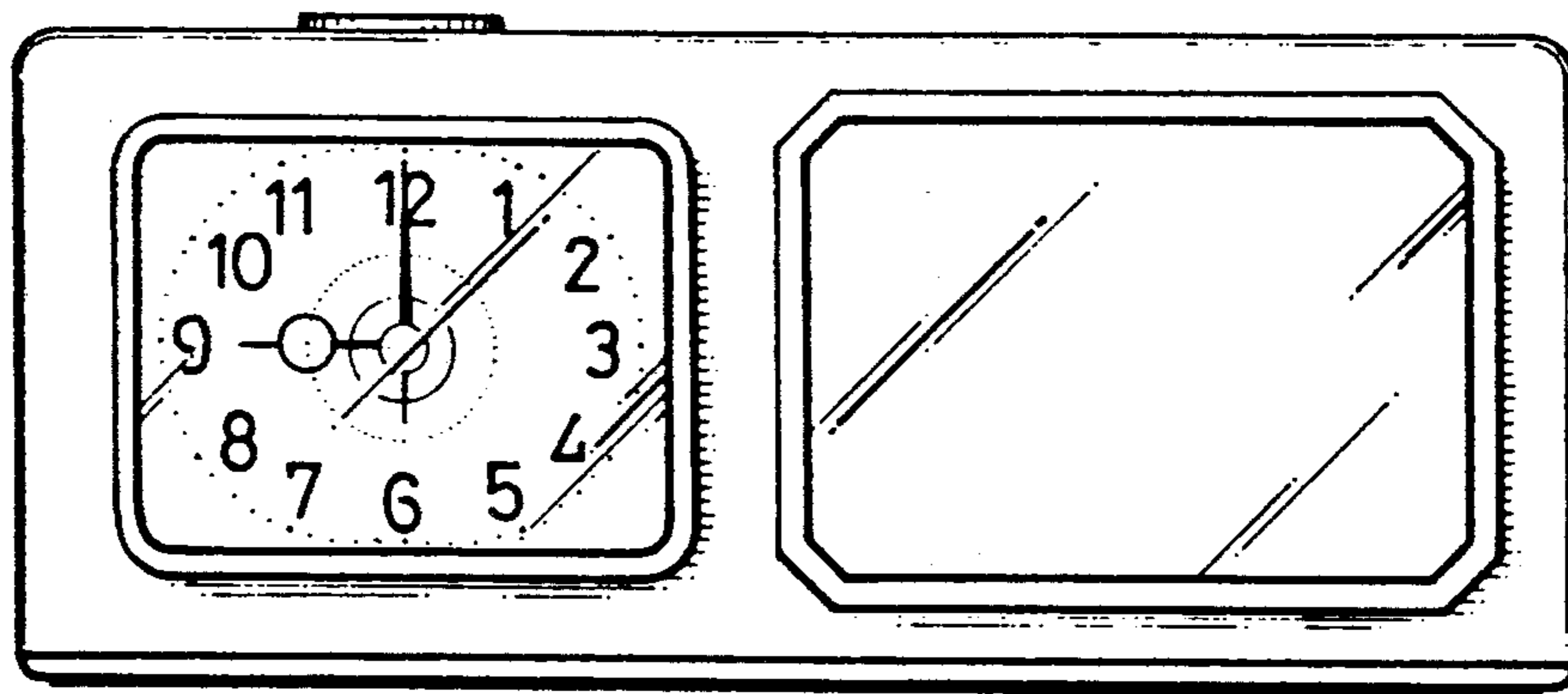


FIG. 2

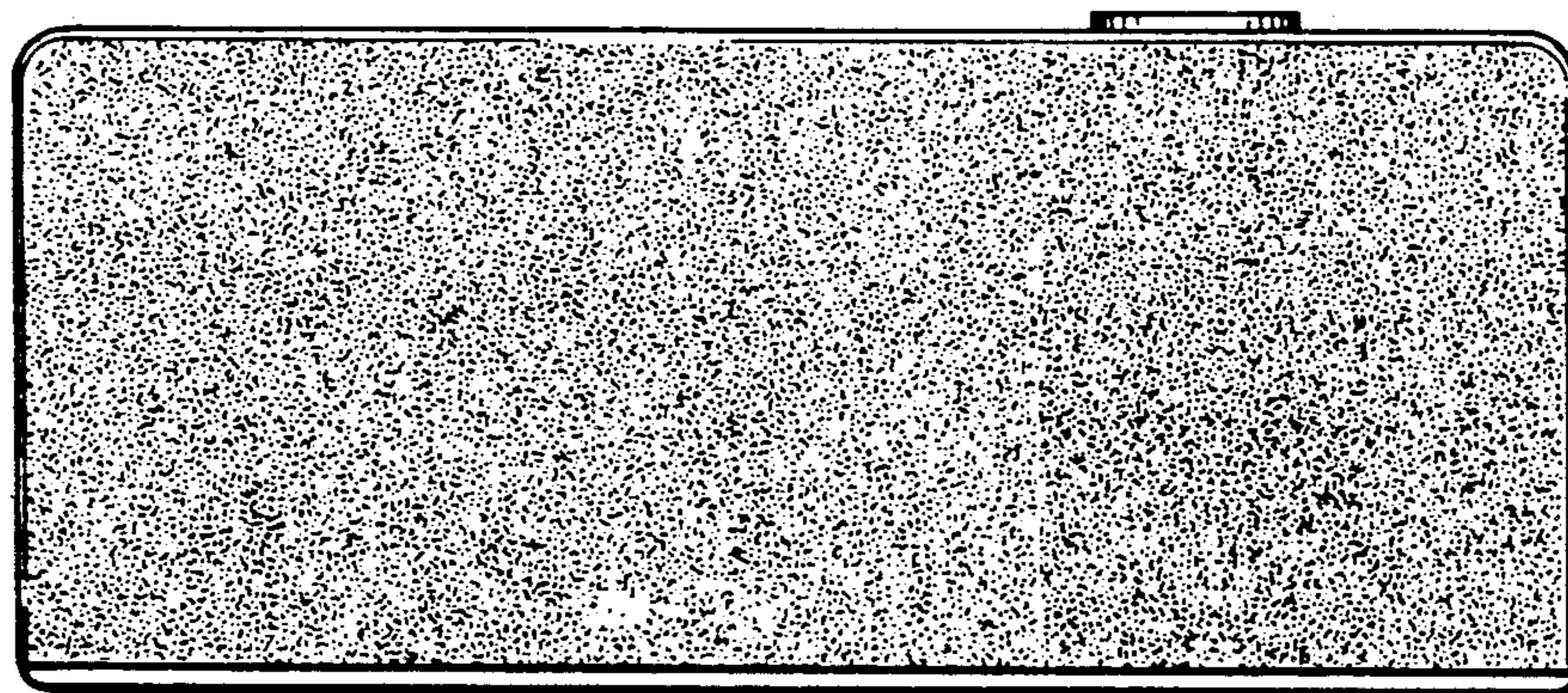


FIG. 3

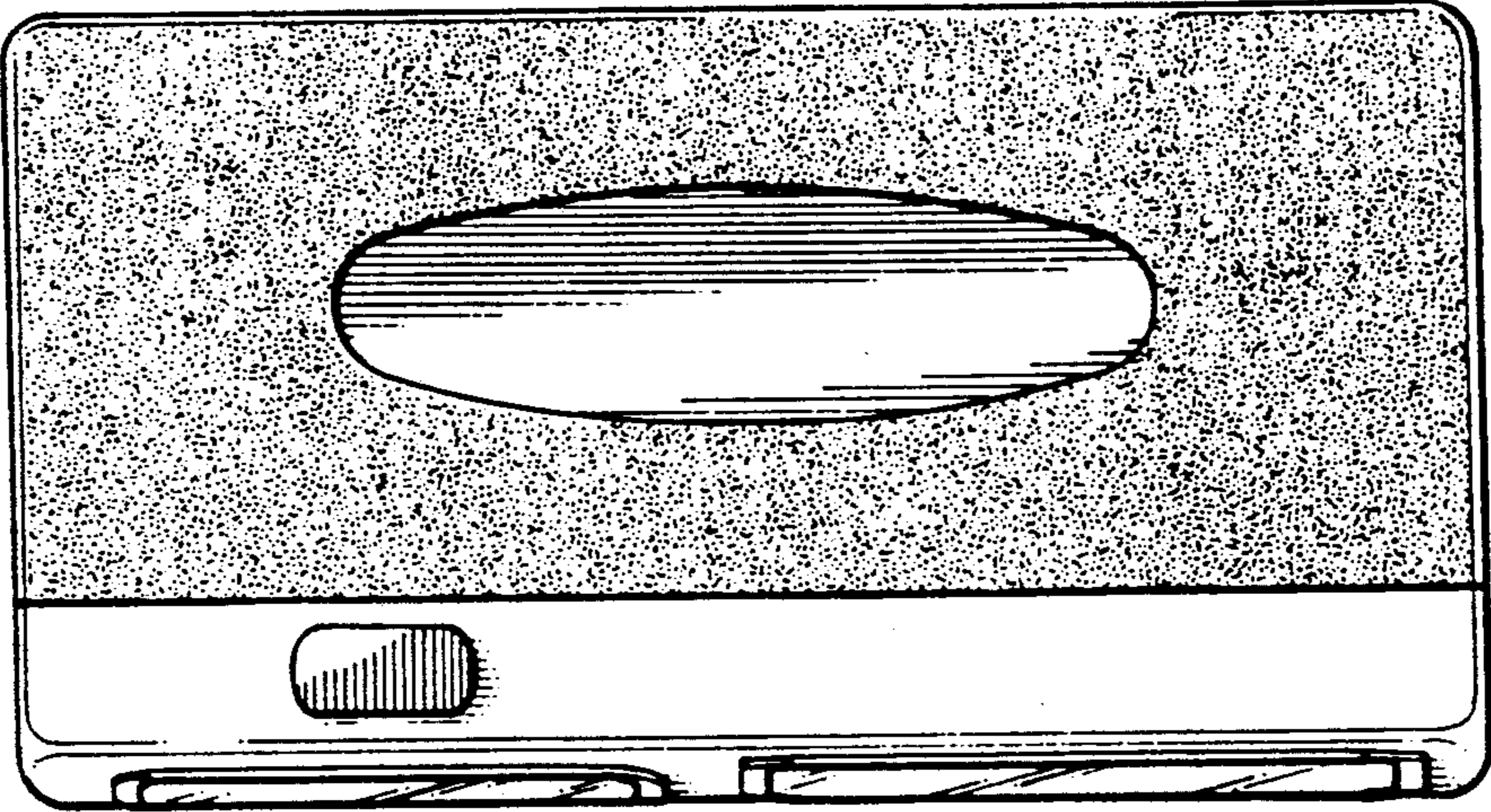


FIG. 4

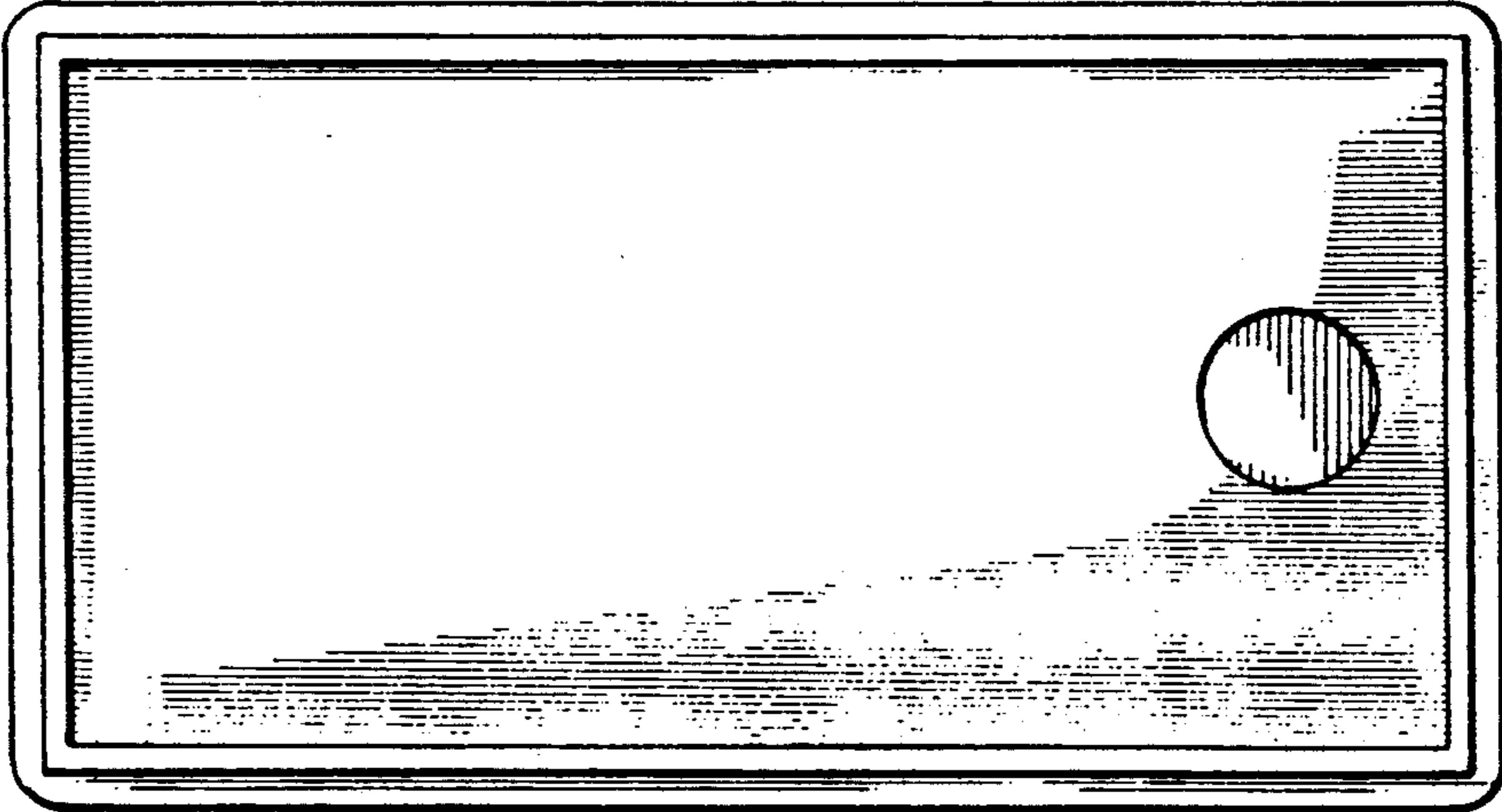


FIG. 5

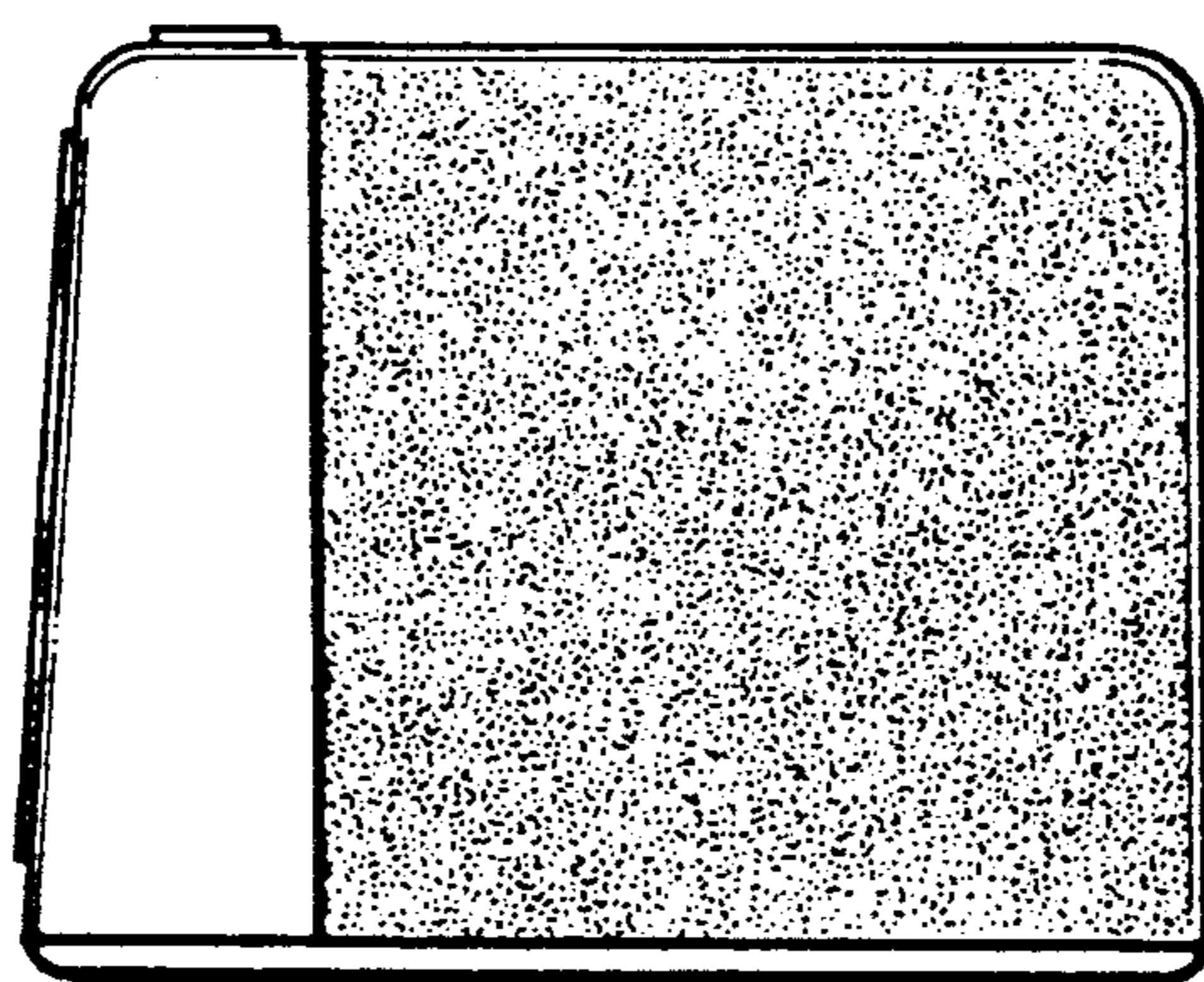


FIG. 6