

[54] CEILING HOOK

[76] Inventor: William E. Adams, Box 1, Portersville, Pa. 16051

[\*\*] Term: 14 Years

[21] Appl. No.: 459,580

[22] Filed: Jan. 2, 1990

[52] U.S. Cl. .... D8/373; D8/367

[58] Field of Search ..... 248/215, 231.5, 301, 248/304, 302, 339, 340, 3; D8/373, 367

[56] References Cited

U.S. PATENT DOCUMENTS

D. 254,707	4/1980	Einhorn	.....	D8/373	X
D. 265,379	7/1982	Einhorn	.....	D8/373	X
D. 289,251	4/1987	Joseph	.....	D8/373	
3,618,176	11/1971	Barnes	.....	248/301	X
3,977,643	8/1976	Staley	.....	D8/373	X
4,112,550	9/1978	DeWitt et al.	.....	D8/373	X
4,174,087	11/1979	Gaines	.....	D8/373	X
4,315,611	2/1982	Hoop	.....	248/340	

FOREIGN PATENT DOCUMENTS

579356	2/1946	United Kingdom	.....	248/231.5	
--------	--------	----------------	-------	-----------	--

OTHER PUBLICATIONS

Copy of blister card of American Tack & Hardware Co., Inc. for "Ceiling Track Hooks".

Copy of product sheet of Moore Push-Pin (Canada) Ltd. for "The 'T' Bar Hook".

Primary Examiner—Horace B. Fay, Jr.

Attorney, Agent, or Firm—Buchanan Ingersoll; Lynn J. Alstadt

[57] CLAIM

The ornamental design for a ceiling hook, as shown and described.

DESCRIPTION

FIG. 1 is a left side elevational view of a ceiling hook showing my new design;

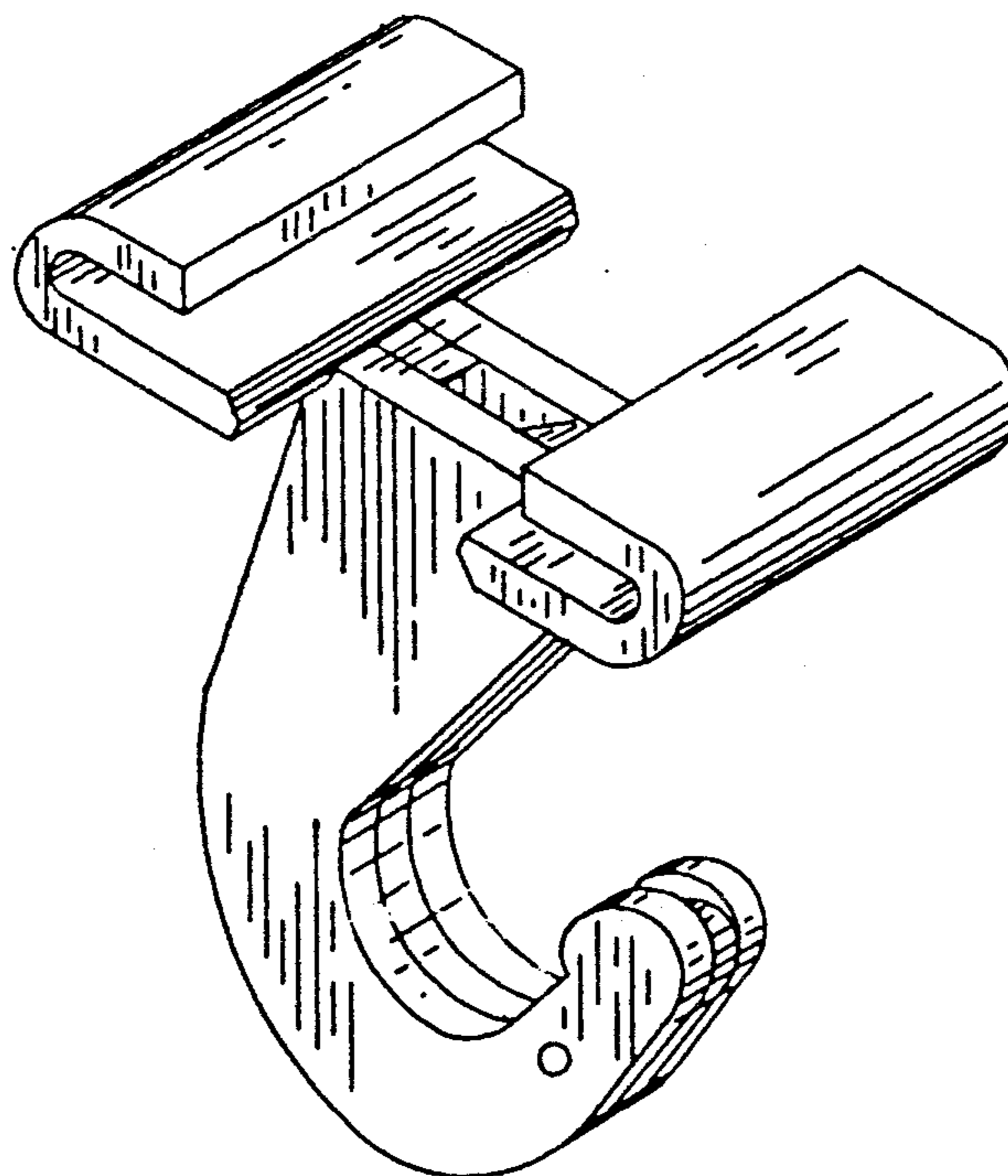
FIG. 2 is a front elevational view thereof;

FIGS. 3 and 4 are respectively top and bottom plan views thereof;

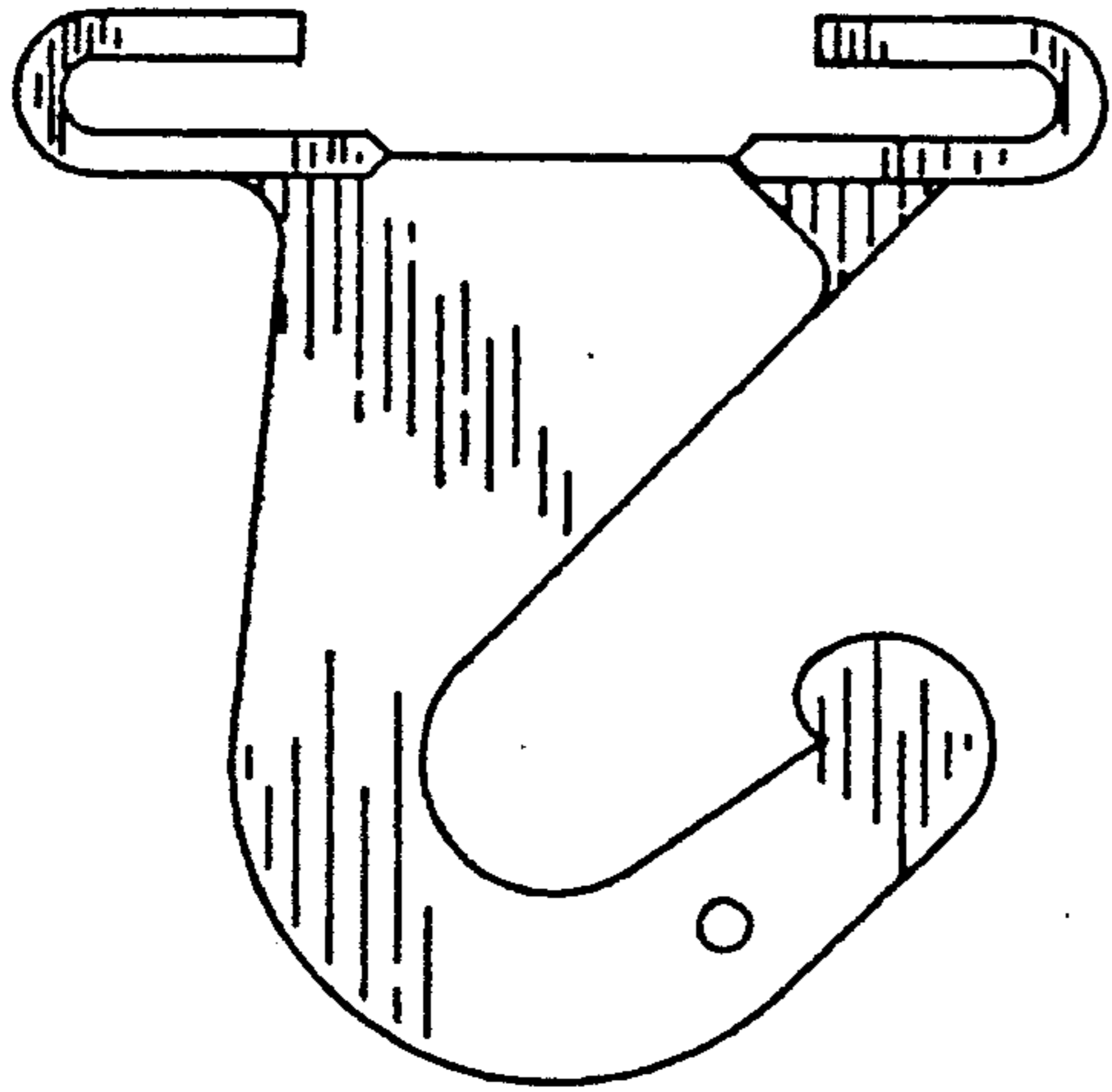
FIG. 5 is a rear elevational view thereof;

FIG. 6 is a left side, top and front perspective view thereof;

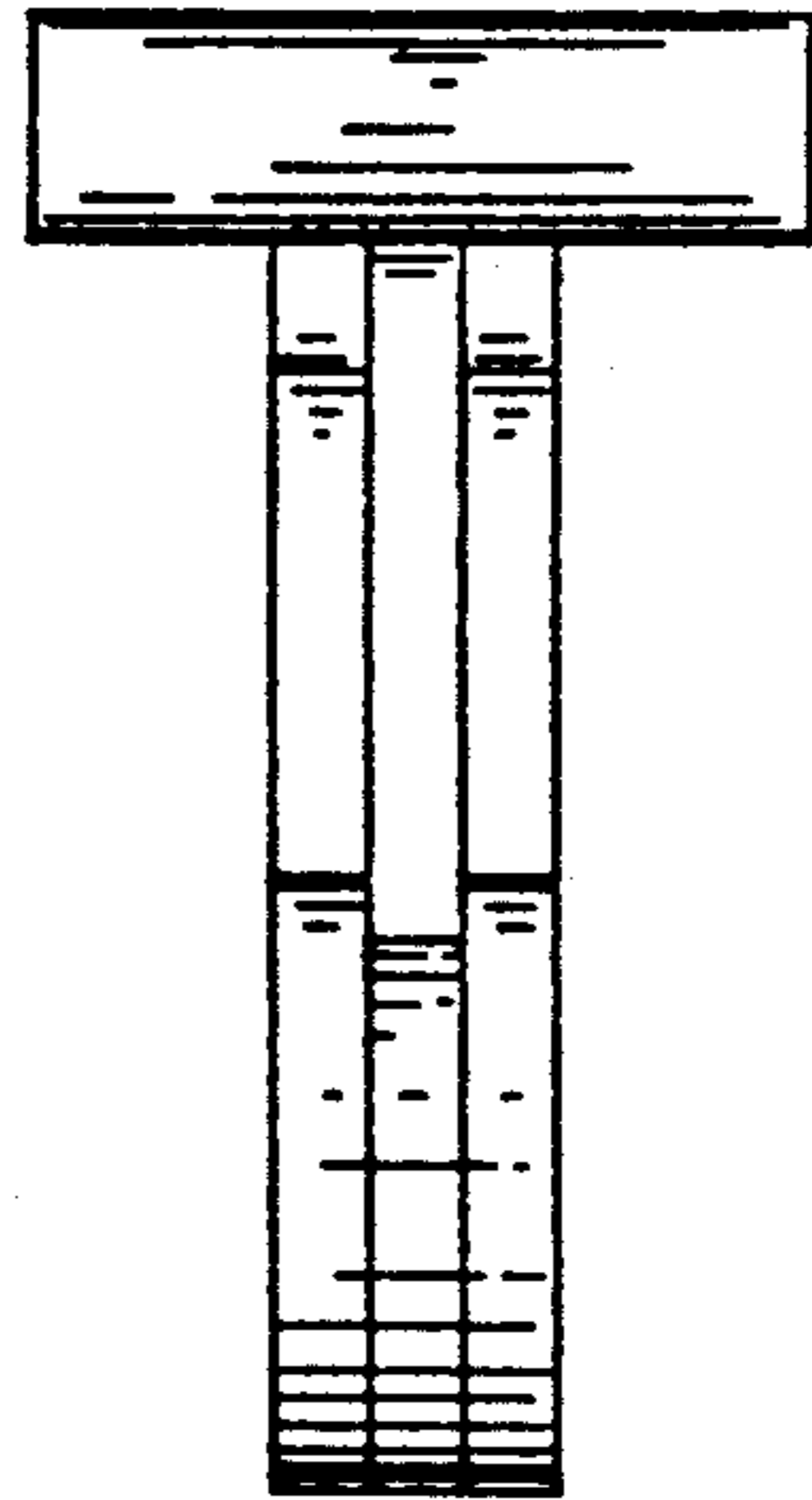
FIG. 7 is a right side, bottom and front perspective view thereof.



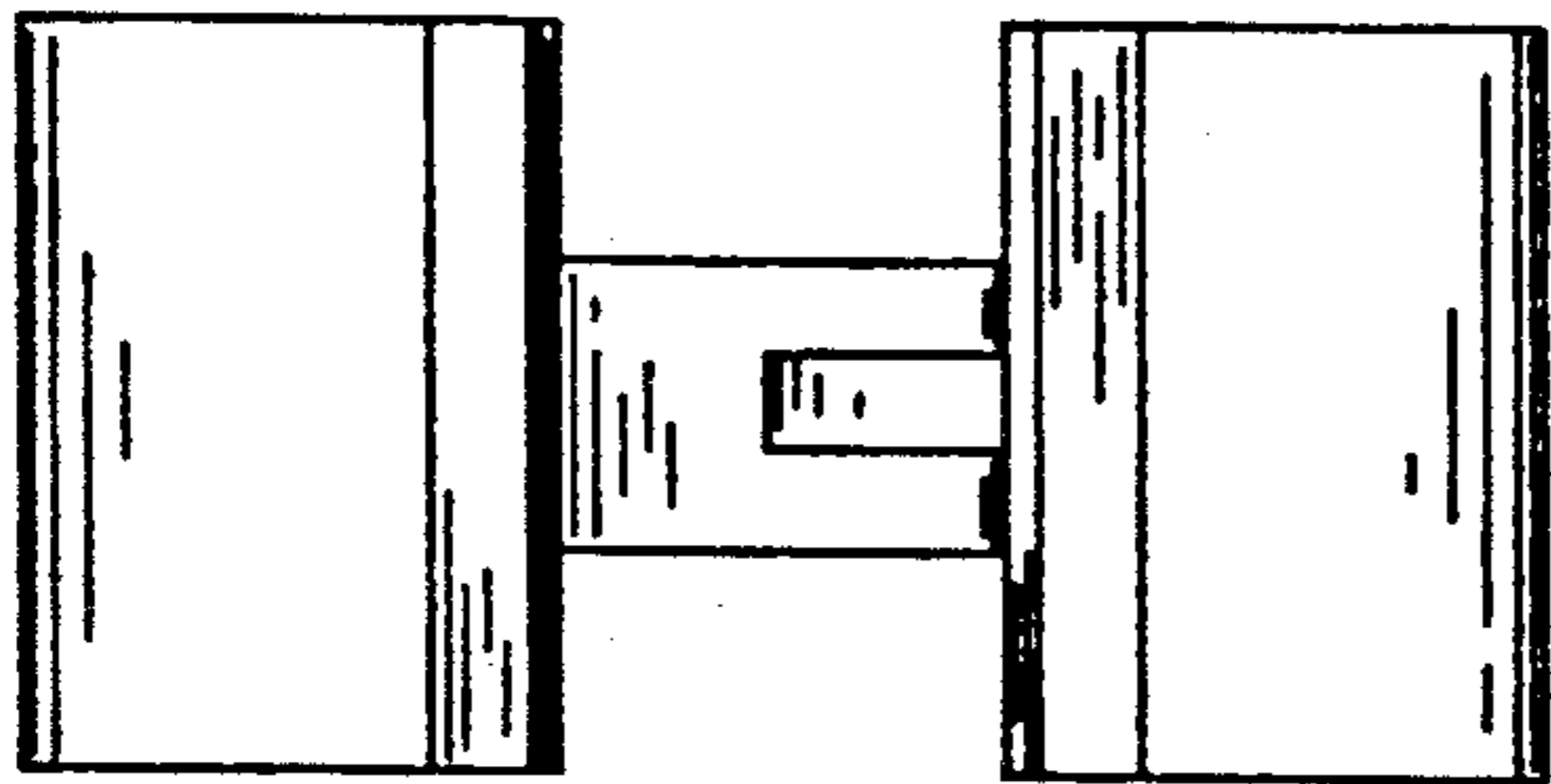
*Fig.1.*



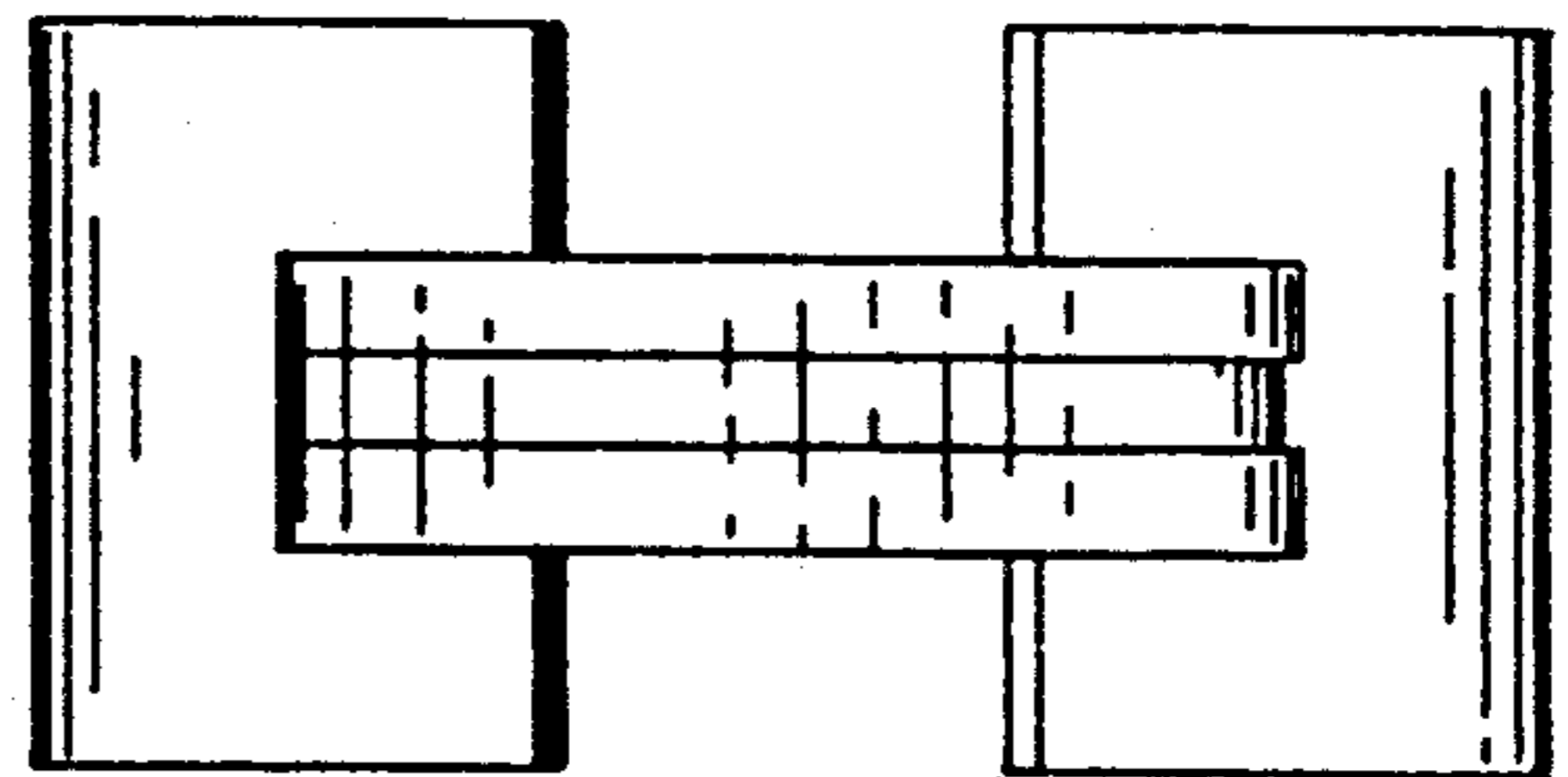
*Fig.2.*



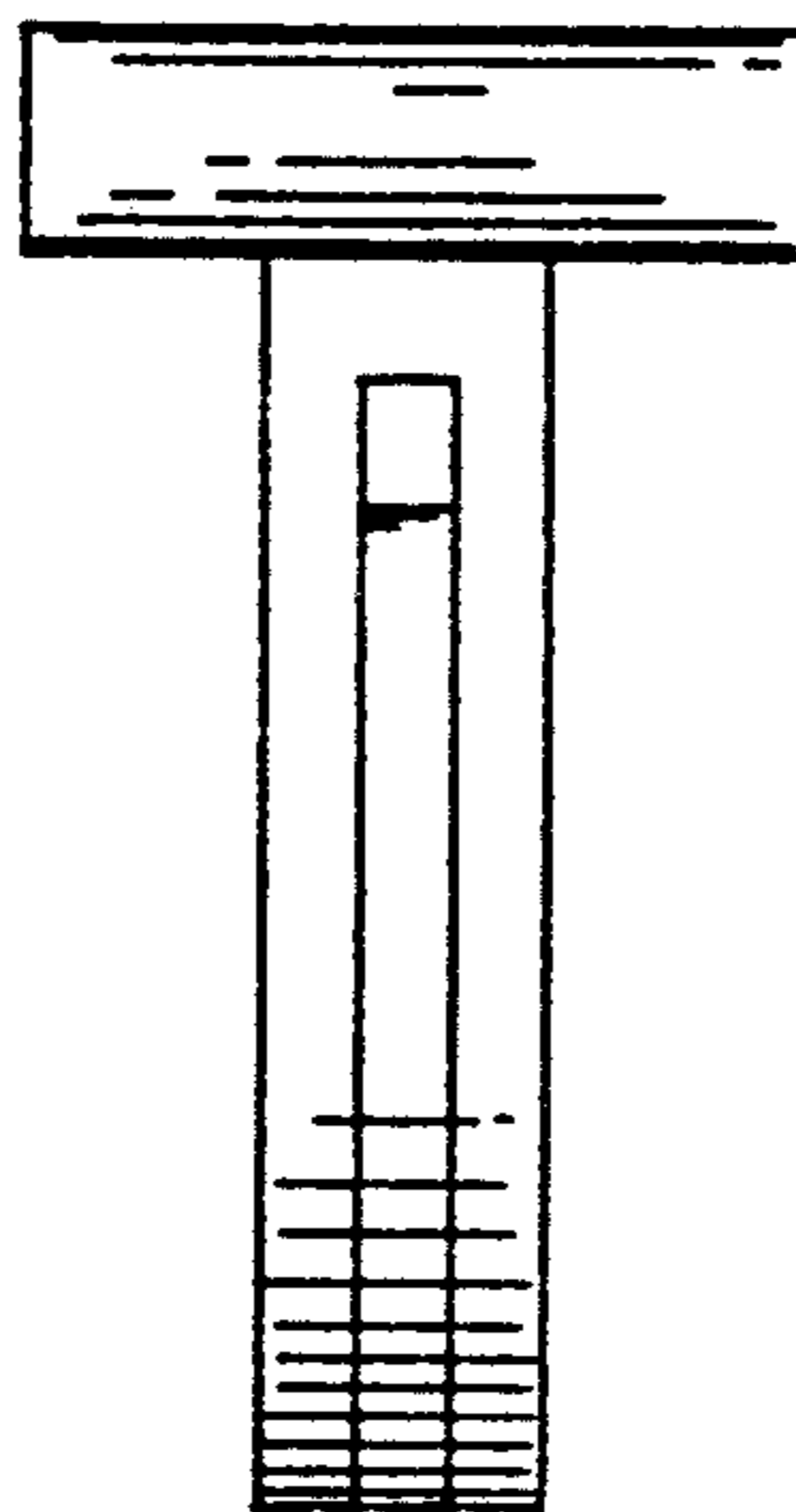
*Fig.3.*



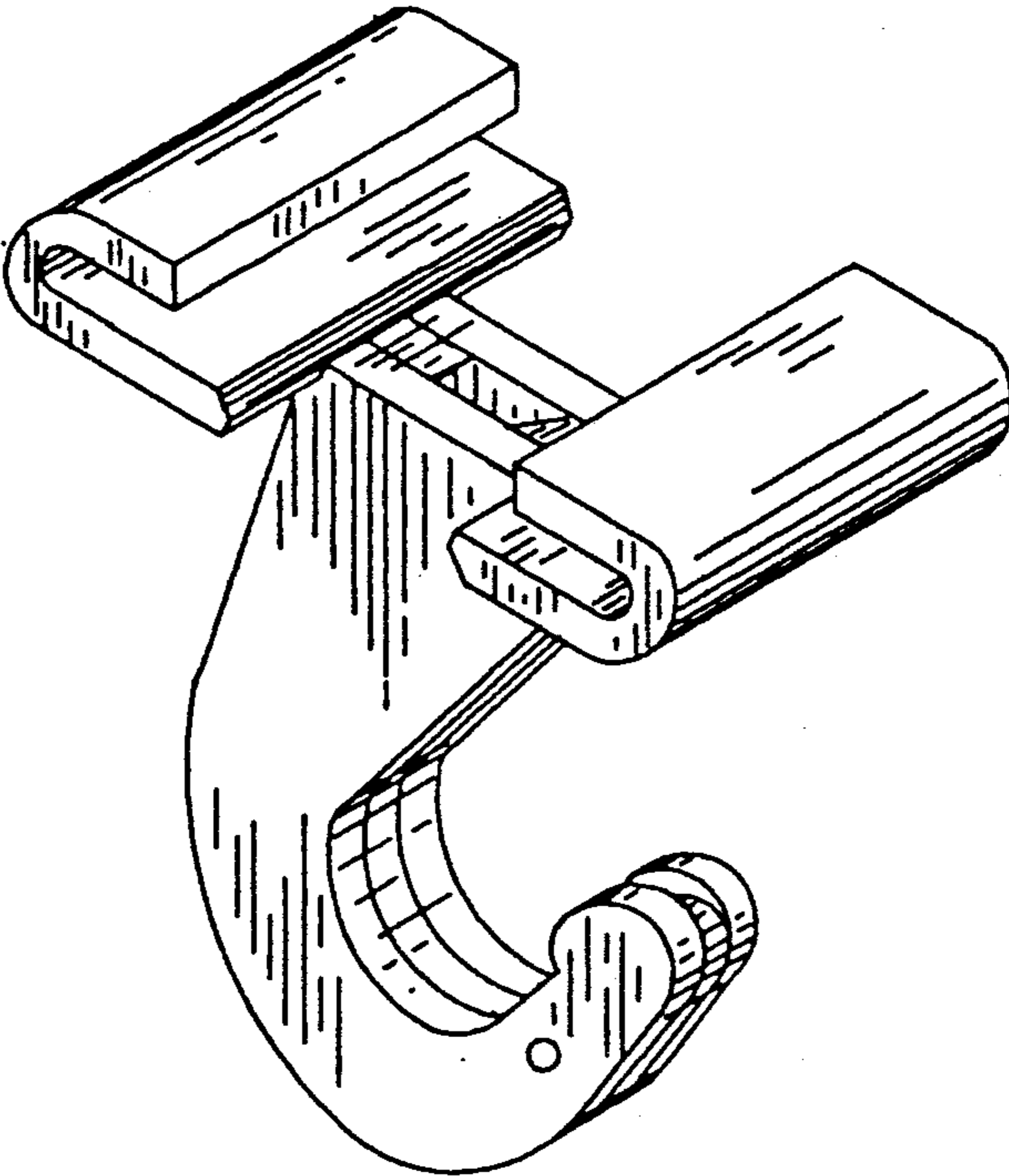
*Fig.4.*



*Fig.5.*



*Fig.6.*



*Fig.7.*

