

[54] HANDLE

[75] Inventors: Herbert V. Kohler, Jr., Kohler; Mary J. Reid, Sheboygan, both of Wis.

[73] Assignee: Kohler Co., Kohler, Wis.

[**] Term: 14 Years

[21] Appl. No.: 297,915

[22] Filed: Jan. 17, 1989

[52] U.S. Cl. D8/307

[58] Field of Search D23/238-243, D23/250-254; D8/300, 307-312; 4/191, 192; 137/801; 16/121

[56] References Cited

U.S. PATENT DOCUMENTS

D. 224,225	7/1972	Doman	D23/250
D. 267,111	11/1982	Arnolds	D23/242
D. 278,458	4/1985	Paul	D23/242
D. 280,437	9/1985	Rademacher	D23/242
D. 287,160	12/1986	Rademacher	D23/242
D. 290,159	6/1987	Jans	D23/242
D. 290,869	7/1987	Paul	D23/247
D. 309,004	7/1990	Strignano	D23/241

OTHER PUBLICATIONS

A page from a 1987 Altmans advertisement showing "Suite 50" fittings.

A page from a 1988 U.S. Brass advertisement showing the Y28447-13 handle, admitted prior art.

An undated Kallista advertisement showing various fittings, admitted prior art.

Two pages from a 1984 Sherle Wagner advertisement showing various "Nouveau" fittings.

Primary Examiner—James R. Largen
Attorney, Agent, or Firm—Quarles & Brady

[57] CLAIM

The ornamental design for a handle, as shown and described.

DESCRIPTION

FIG. 1 is a perspective view taken from the top, front and left side of a handle showing our new design;

FIG. 2 is a left side elevational view thereof, the right side being a mirror image of the left side;

FIG. 3 is a front elevational view thereof, the rear being the same as the front shown;

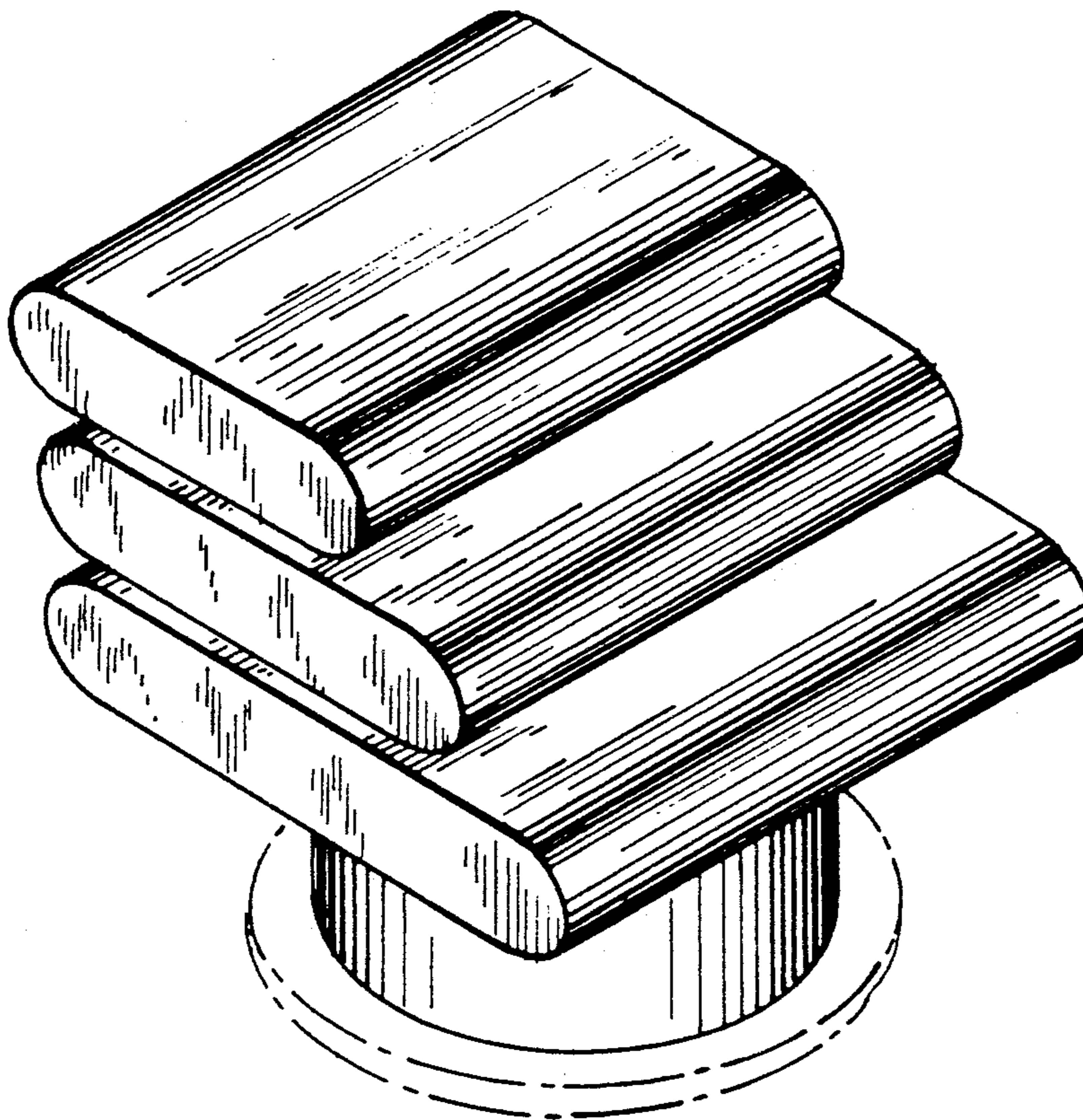
FIG. 4 is a top plan view thereof;

FIG. 5 is a bottom plan view thereof;

FIG. 6 is a perspective view taken from the top, front and left side of a second embodiment thereof; and

FIG. 7 is a perspective view taken from the top, front and left side of a third embodiment thereof.

The broken line representations of escutcheons in FIGS. 1, 6 and 7 are for purposes of illustration only and form no part of the claimed design.



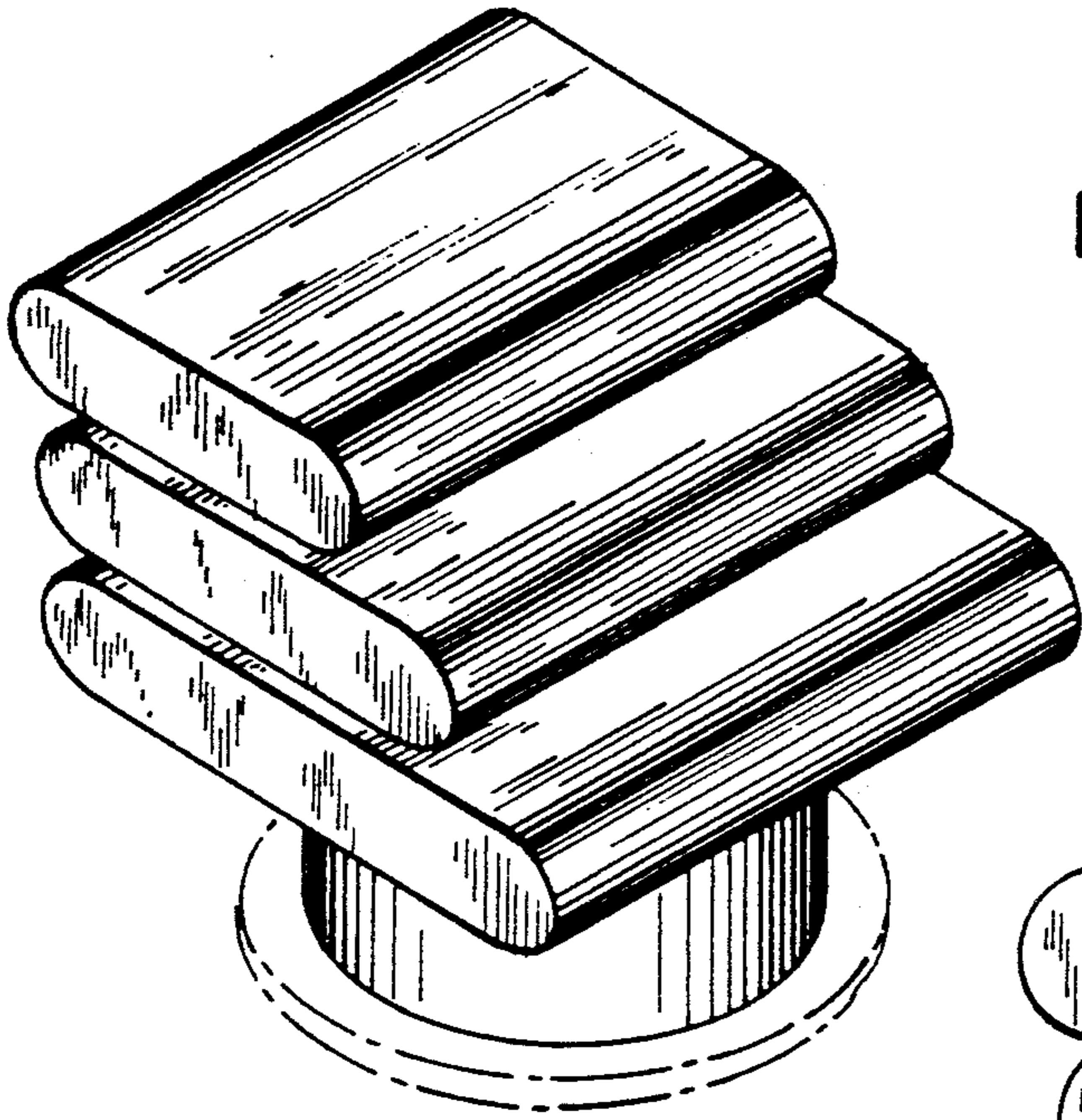


FIG. 1

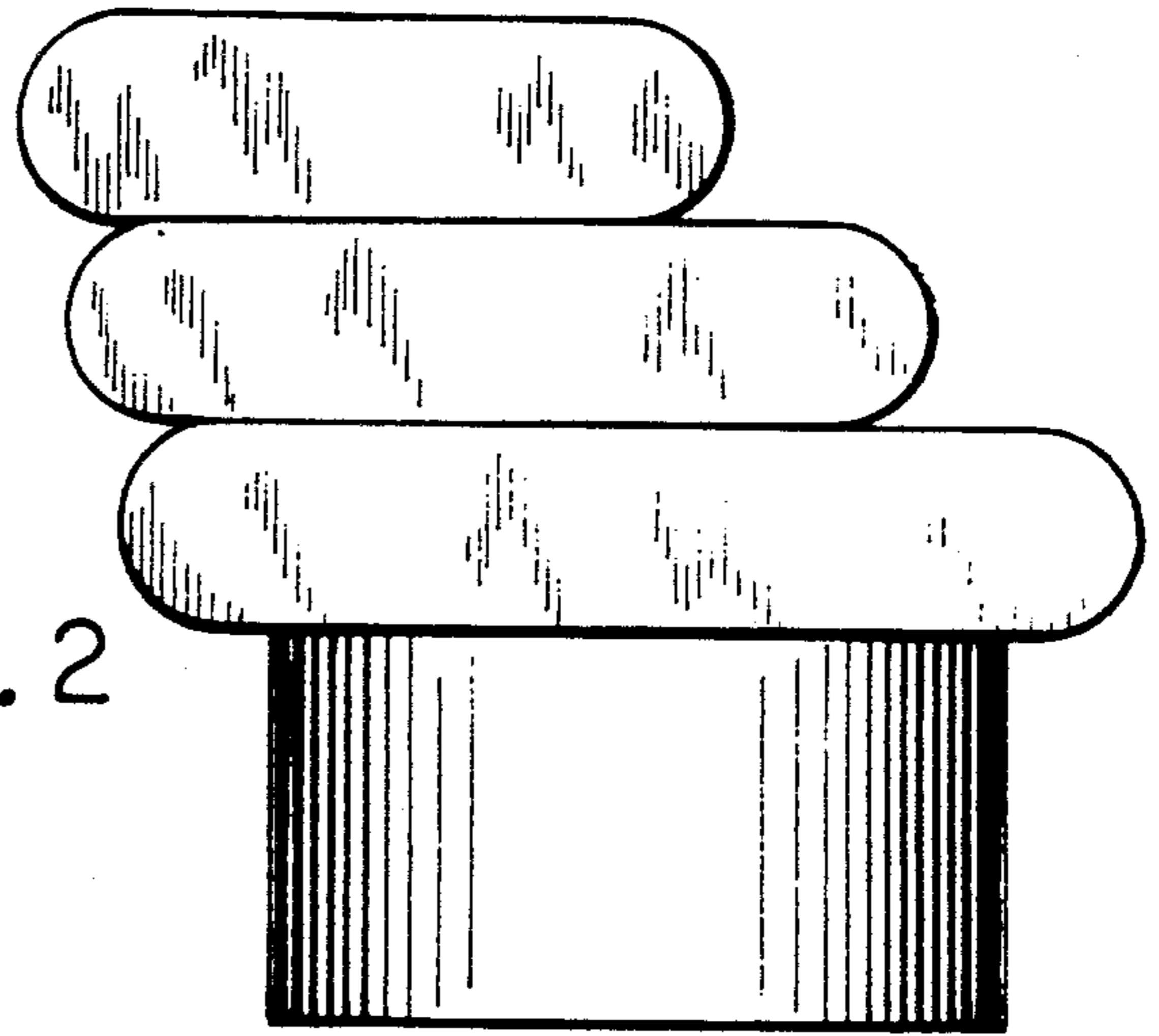


FIG. 2

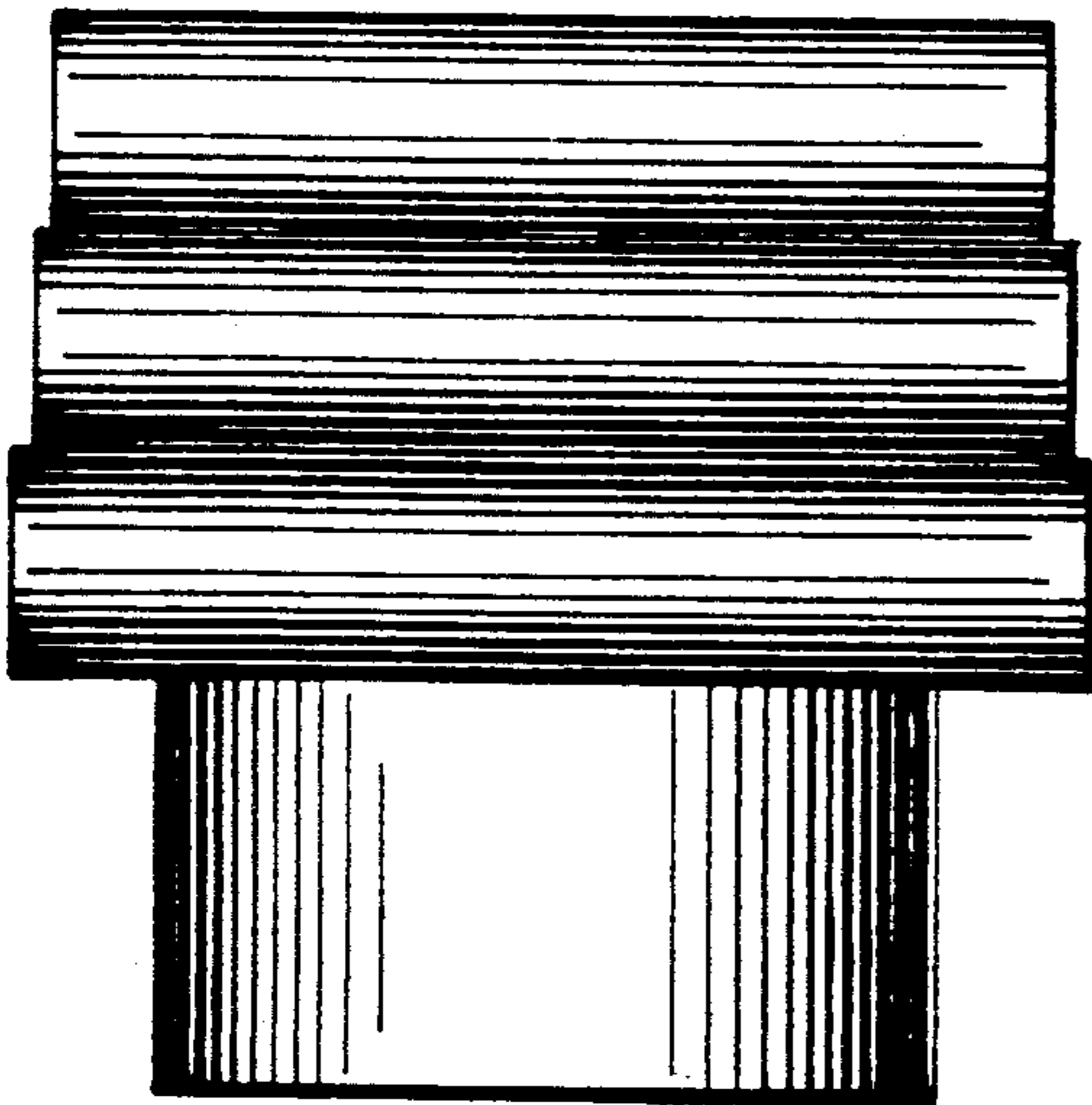


FIG. 3

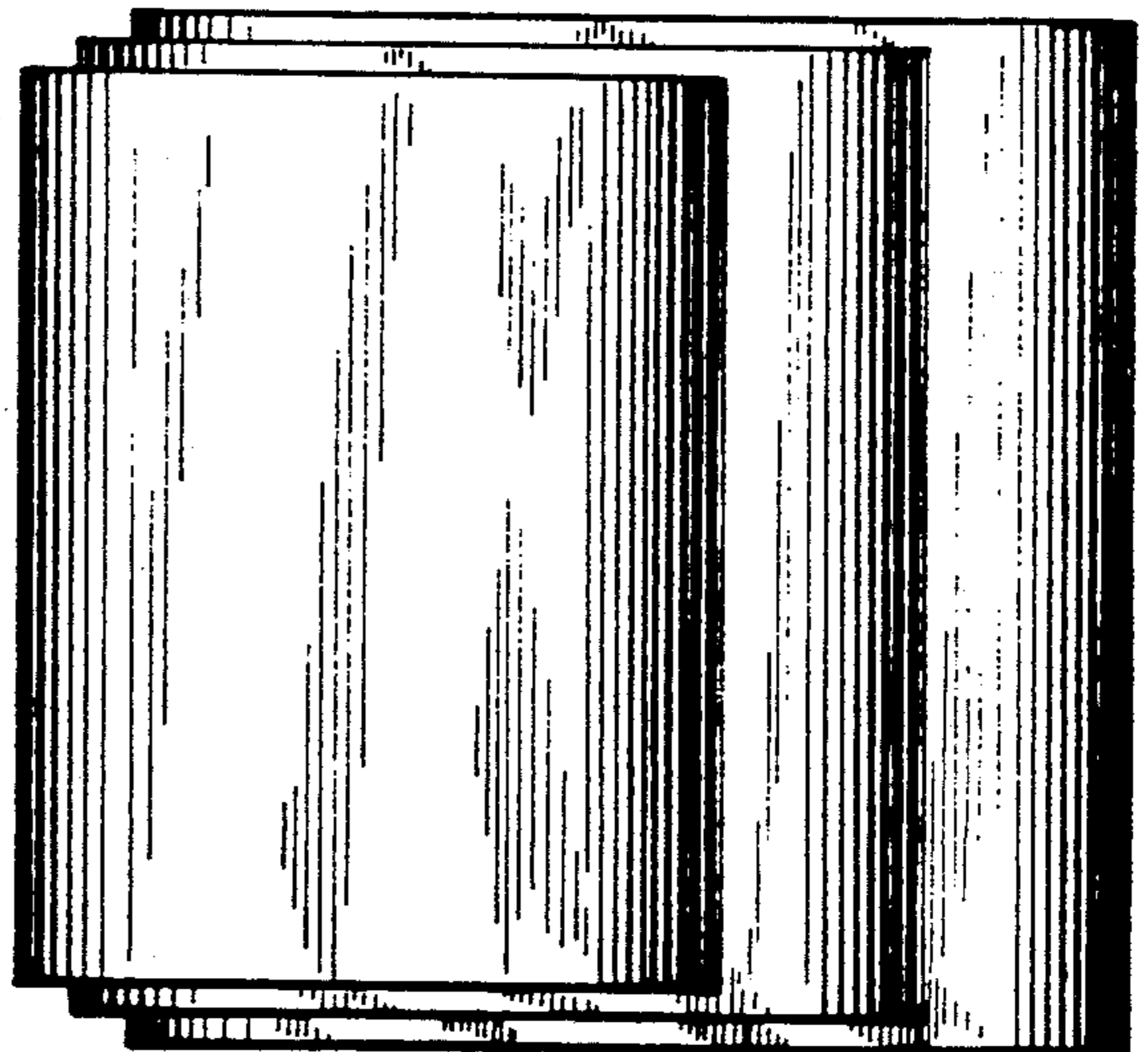


FIG. 4

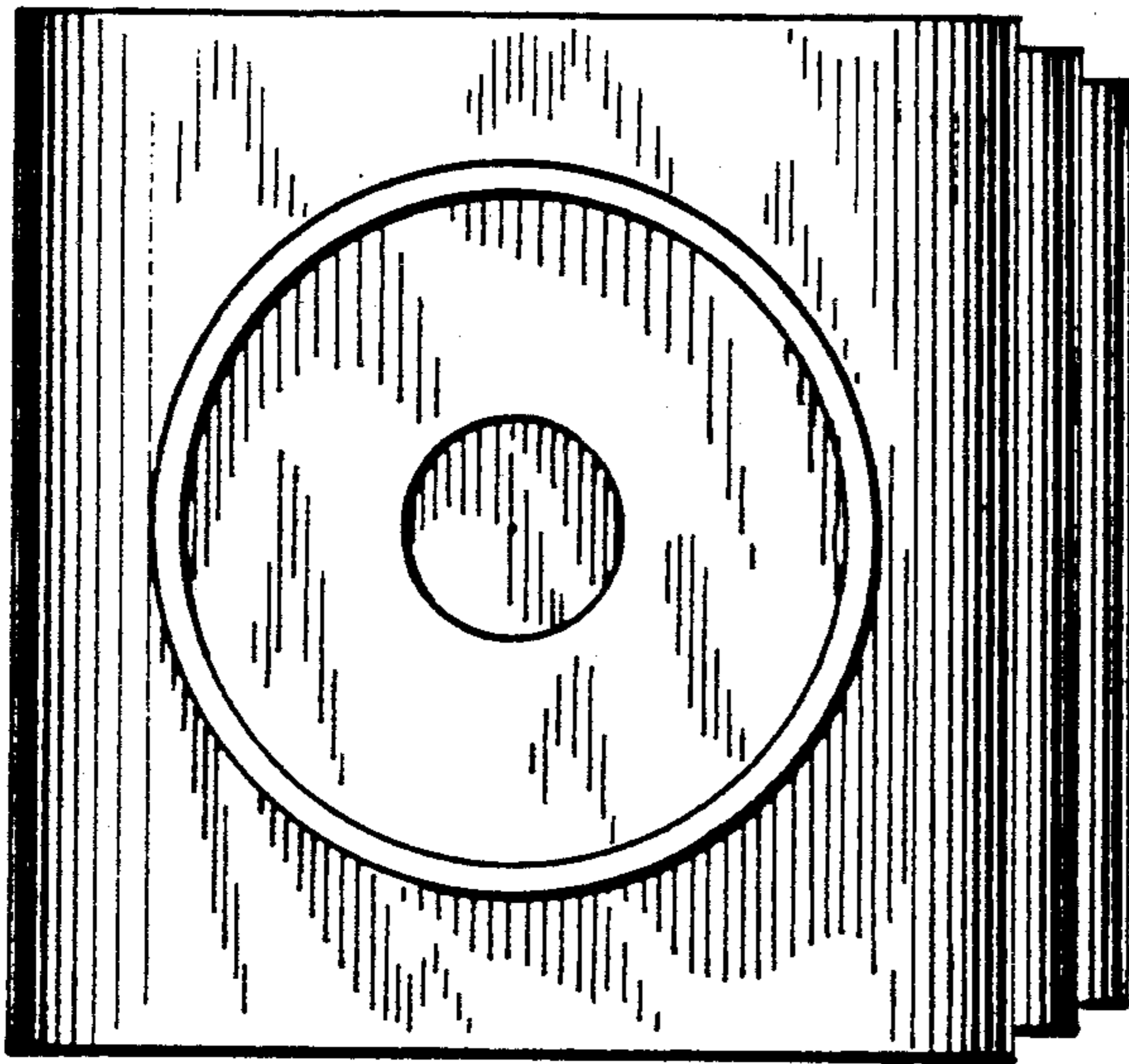


FIG. 5

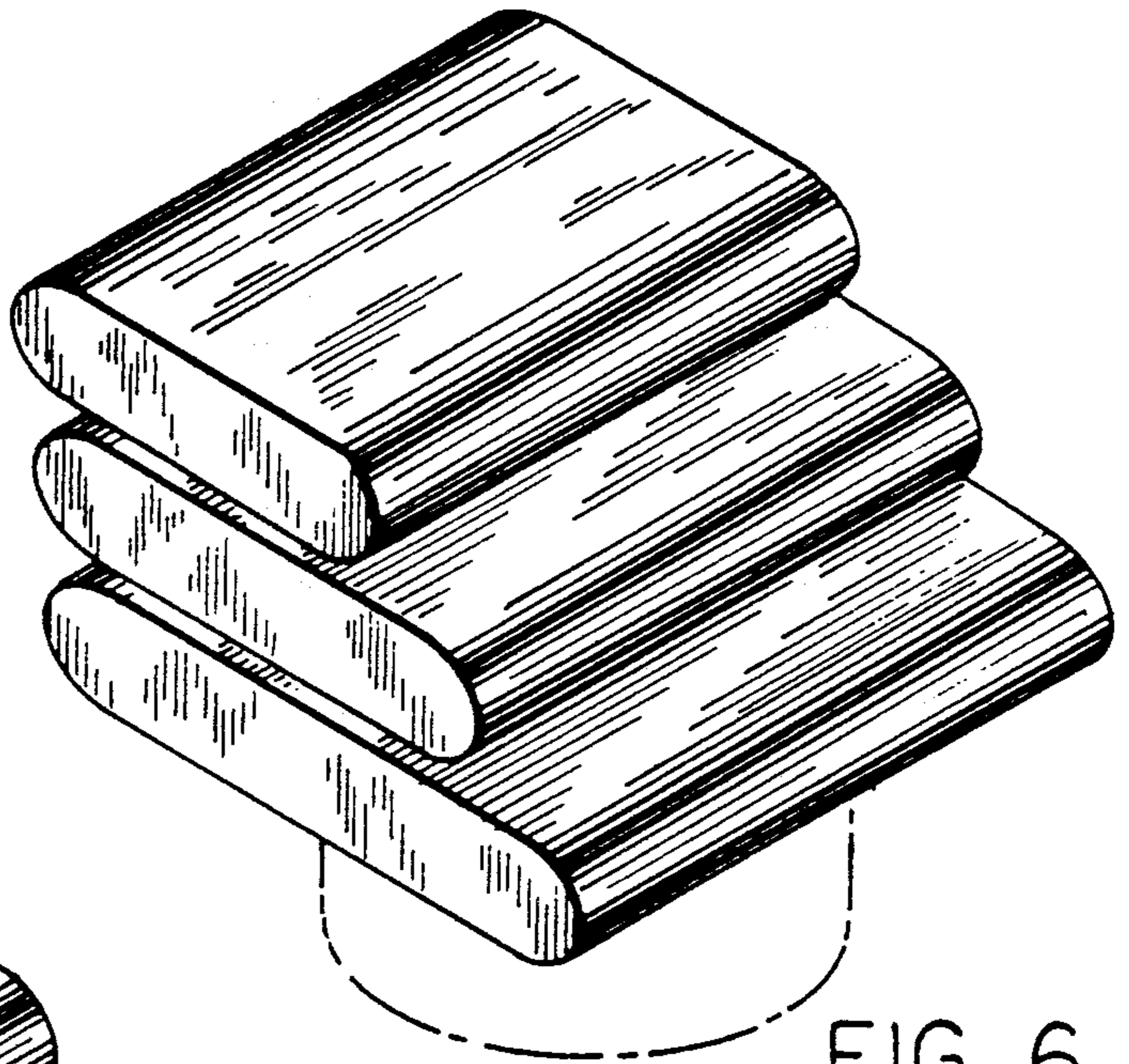


FIG. 6

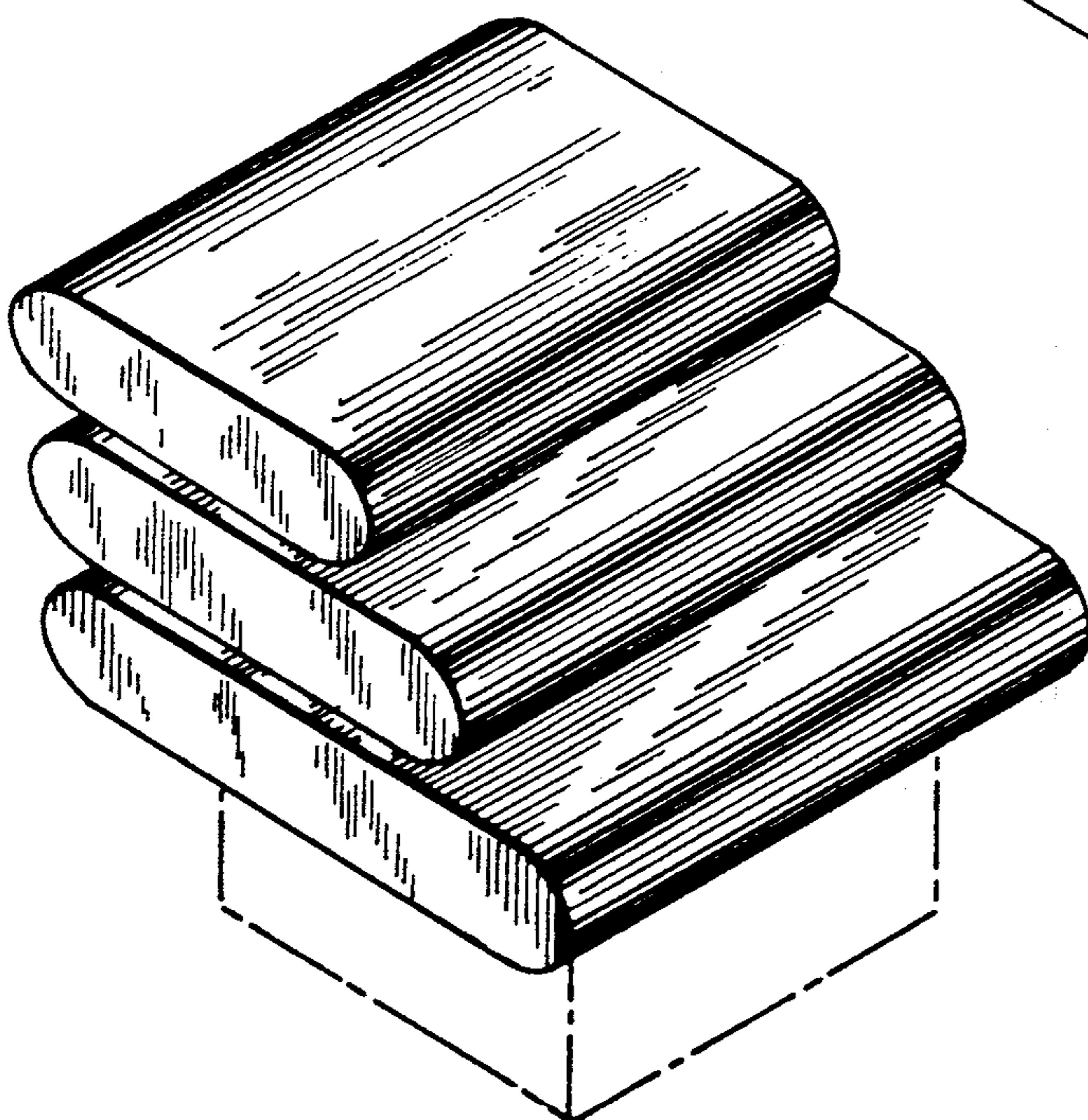


FIG. 7