

[54] MULTIPURPOSE STATIONERY KIT

2196896 5/1988 United Kingdom .

[76] Inventor: Kwong-Chi Chan, 8th Floor, Block B,
Sun Kong Building, 2J-2Q Sai Yuen
Choi Street, Hong Kong, Hong
Kong

[**] Term: 14 Years

[21] Appl. No.: 155,009

[22] Filed: Feb. 11, 1988

[30] Foreign Application Priority Data

Aug. 28, 1987 [GB] United Kingdom 1044486

[52] U.S. Cl. D8/105; D8/98;
D8/99

[58] Field of Search D8/14, 99, 105, 107;
30/123, 147, 154; D19/65; 7/160; 206/374

[56] References Cited

U.S. PATENT DOCUMENTS

- D. 285,900 9/1986 Chan D8/105
- D. 302,102 7/1989 Amagaya D8/105
- D. 308,462 6/1990 Komatsu D8/105
- 4,783,867 11/1988 Tsao 7/160
- 4,791,725 12/1988 Amagaya 30/154

FOREIGN PATENT DOCUMENTS

- 3716797 4/1988 Fed. Rep. of Germany .

OTHER PUBLICATIONS

Goodview Management, Inc. catalog, 1988.
Advertisement of Goodview Management, Inc. which
appeared in *Asian Source Magazine*.

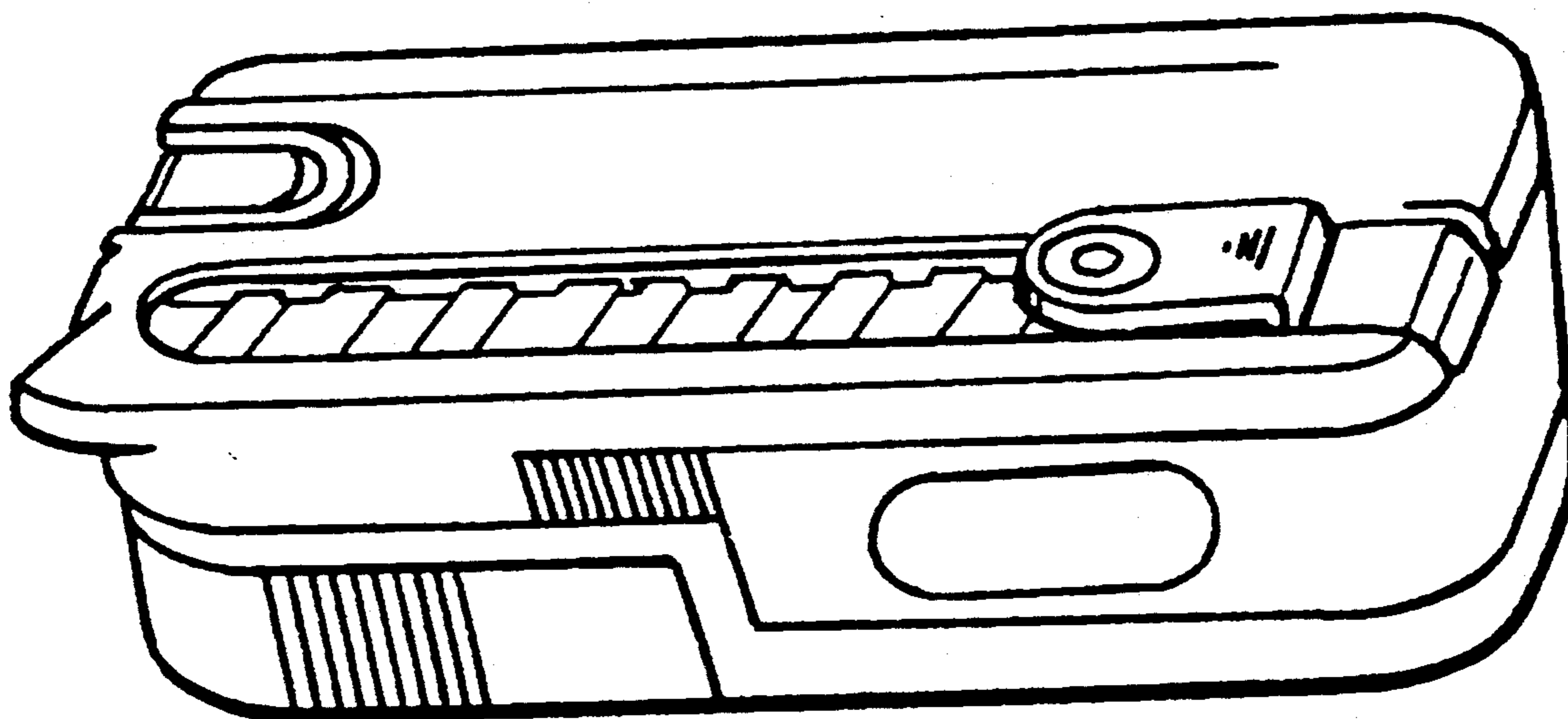
Primary Examiner—Bruce W. Dunkins
Assistant Examiner—Monica Hannon
Attorney, Agent, or Firm—Majestic, Parsons, Siebert &
Hsue

[57] CLAIM

The ornamental design for a multipurpose stationery
kit, as shown and described.

DESCRIPTION

FIG. 1 is a left side elevational view of the multipurpose
stationery kit showing my new design;
FIG. 2 is a top plan view thereof;
FIG. 3 is a right side elevational view thereof;
FIG. 4 is a bottom plan view thereof;
FIG. 5 is a front elevational view thereof;
FIG. 6 is a rear elevational view thereof;
FIG. 7 is a bottom plan view of the multipurpose stationery
kit in an open position;
FIG. 8 is a top plan view of the embodiment of FIG. 7
thereof;
FIG. 9 is a right perspective view thereof; and
FIG. 10 is a left perspective view thereof.



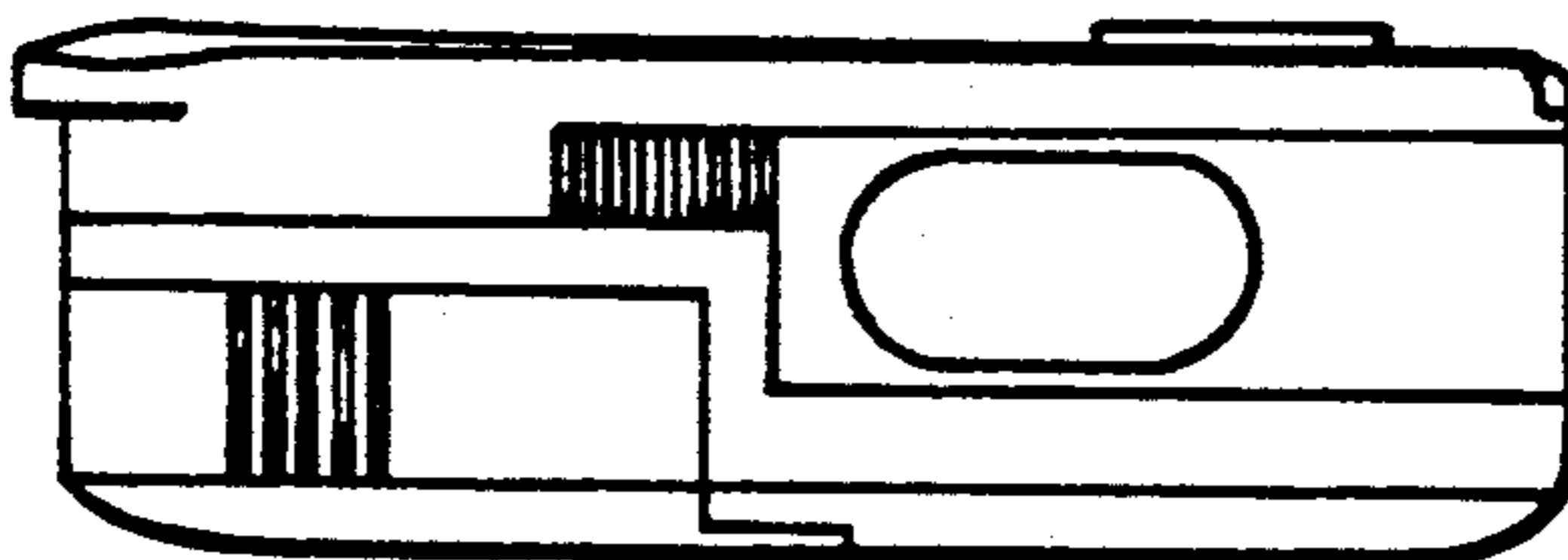


FIG. 1.

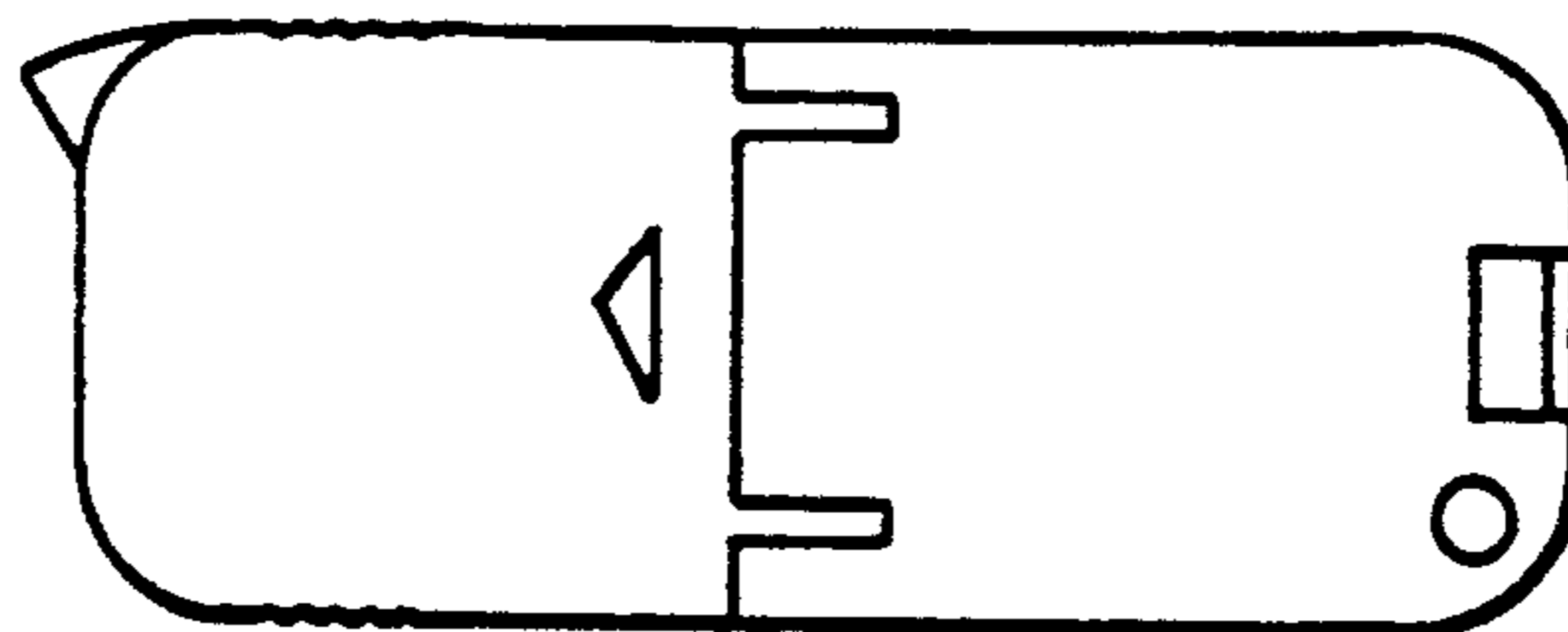


FIG. 2.

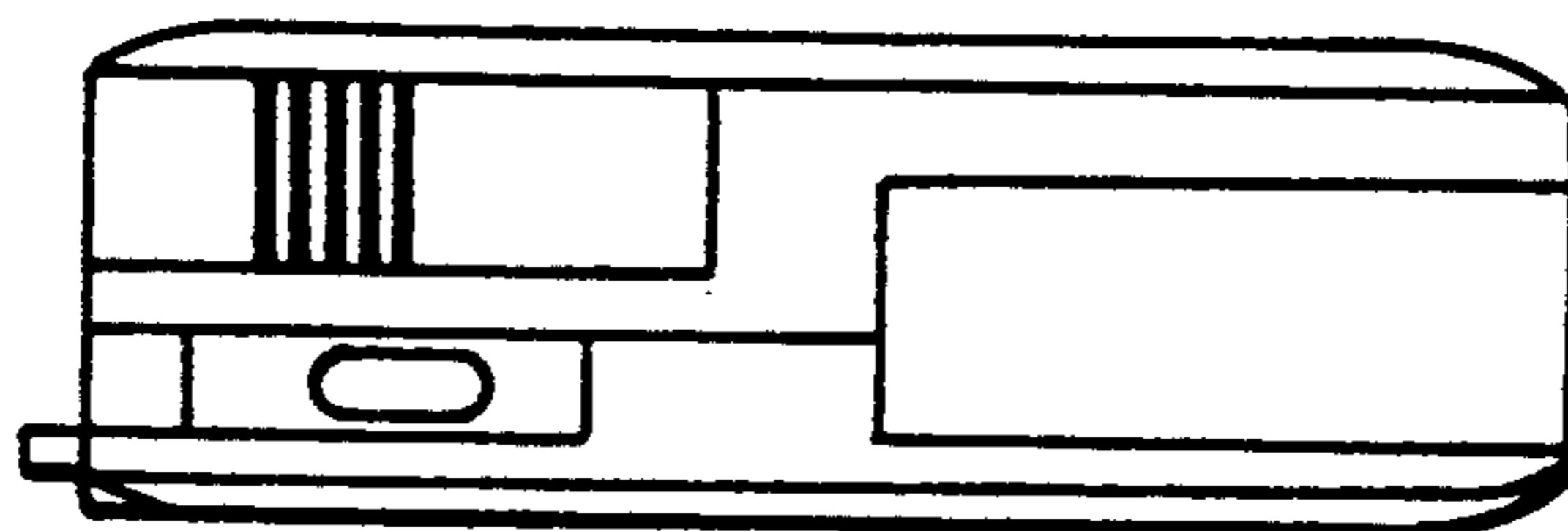


FIG. 3.

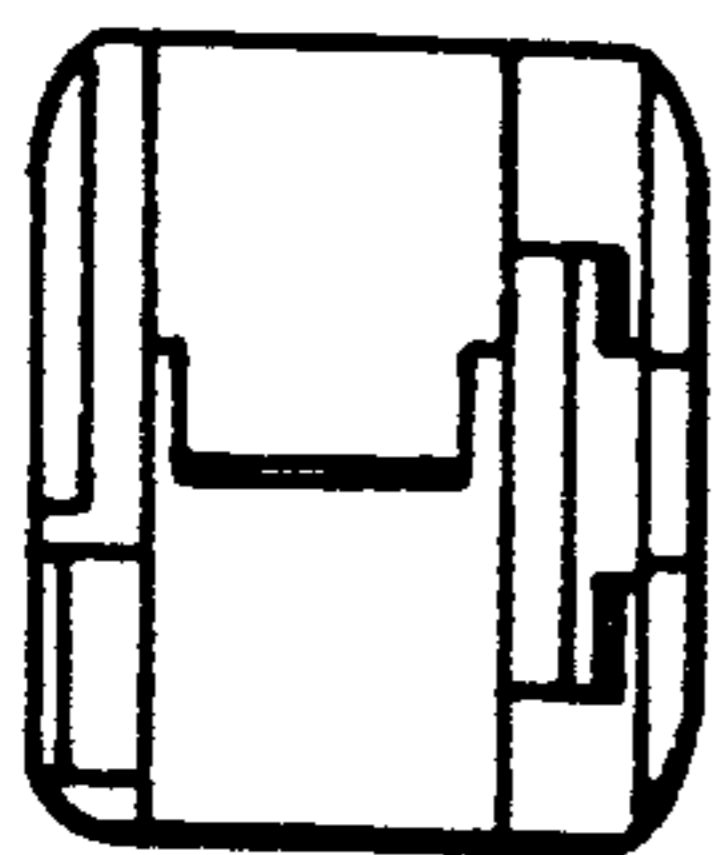


FIG. 5.

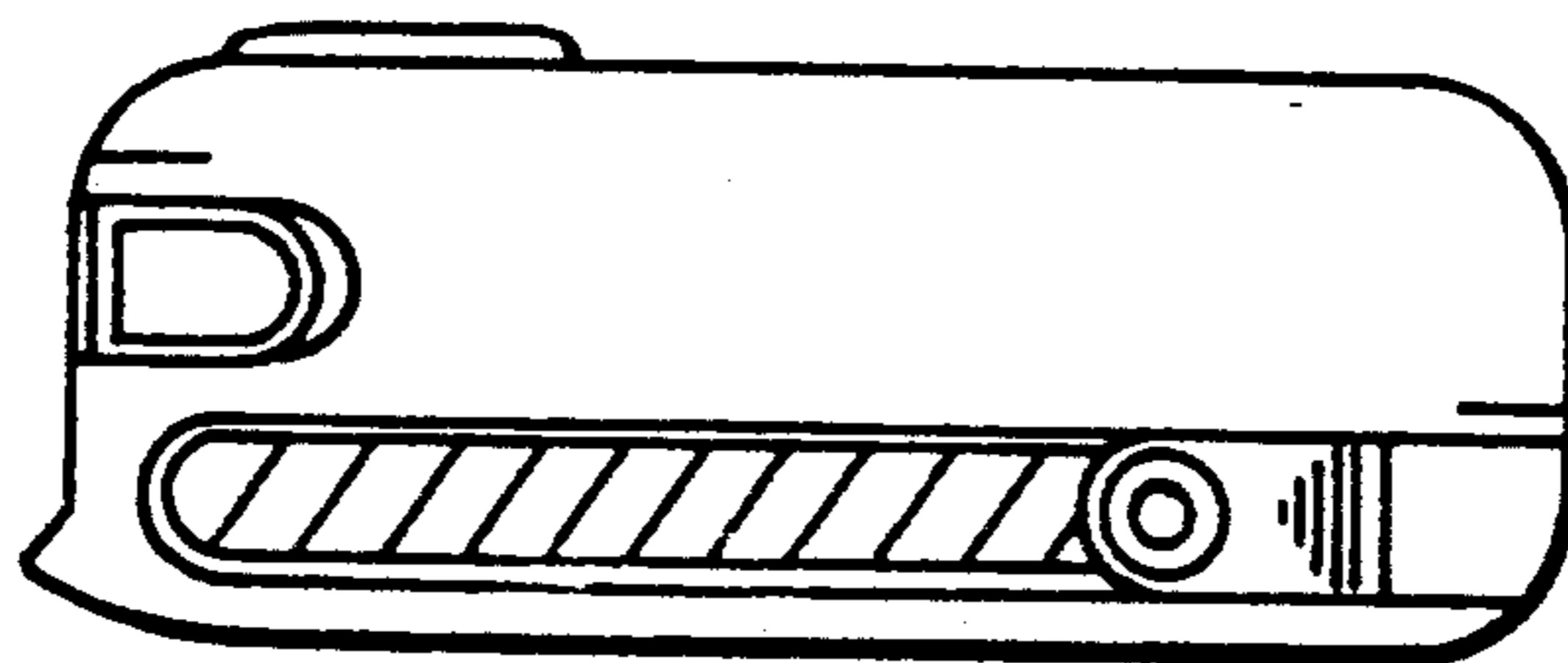


FIG. 4.

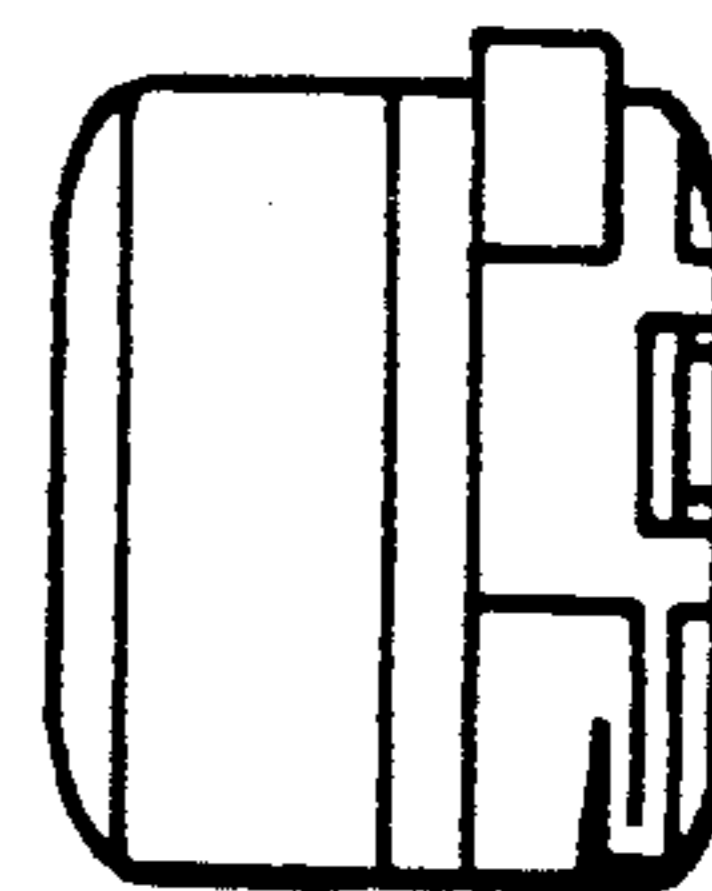


FIG. 6.

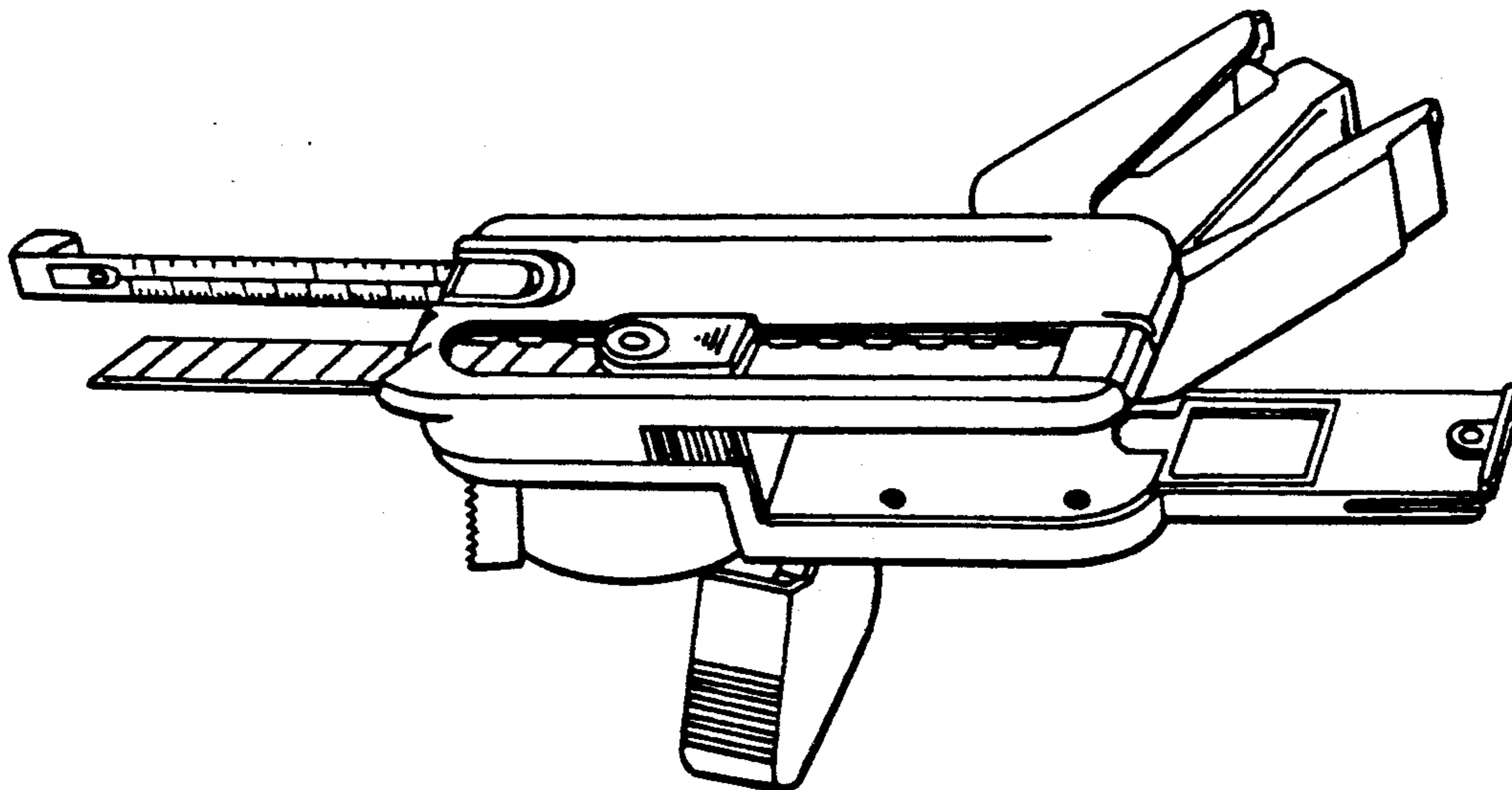


FIG. 7.

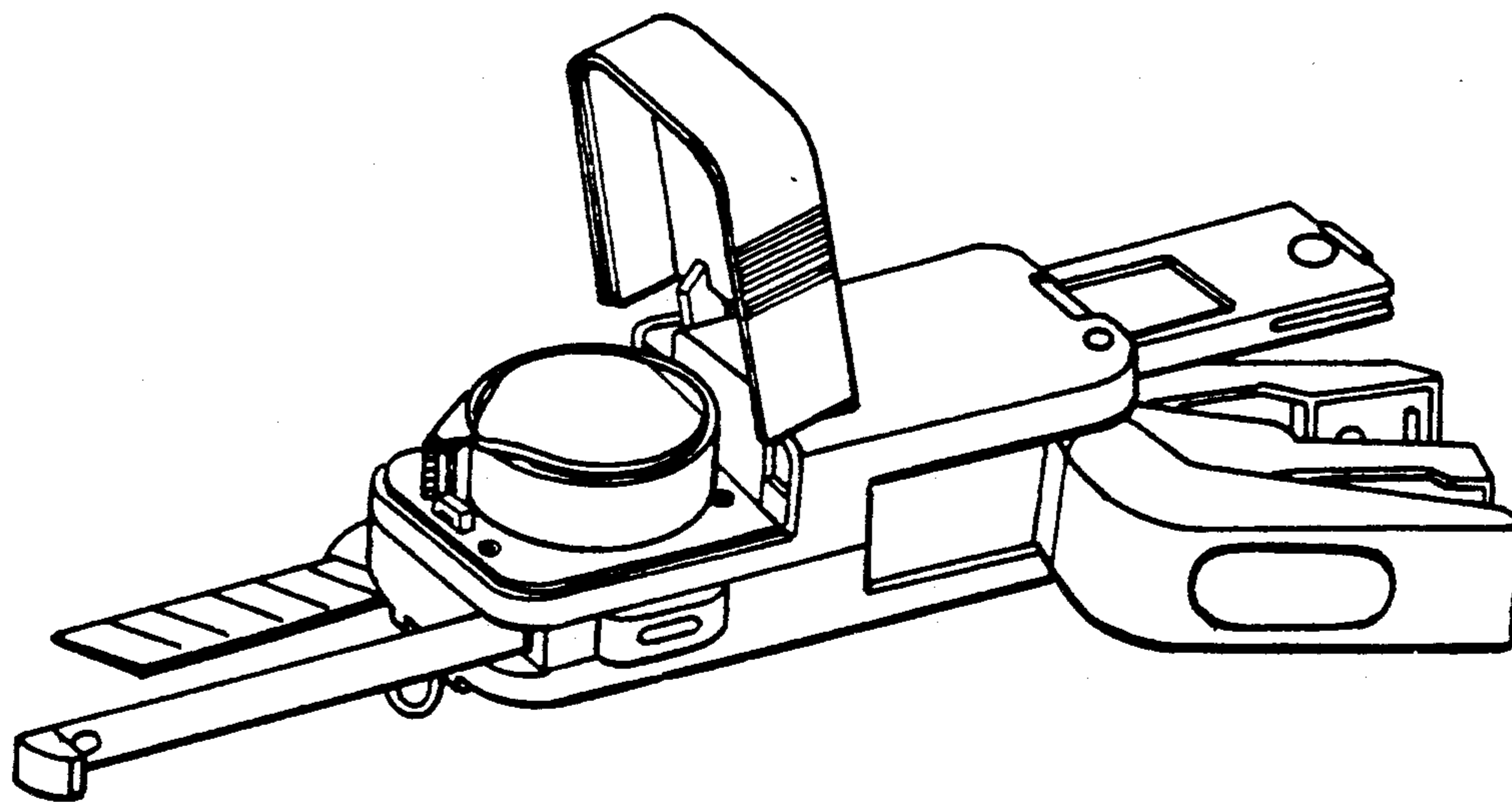


FIG. 8.

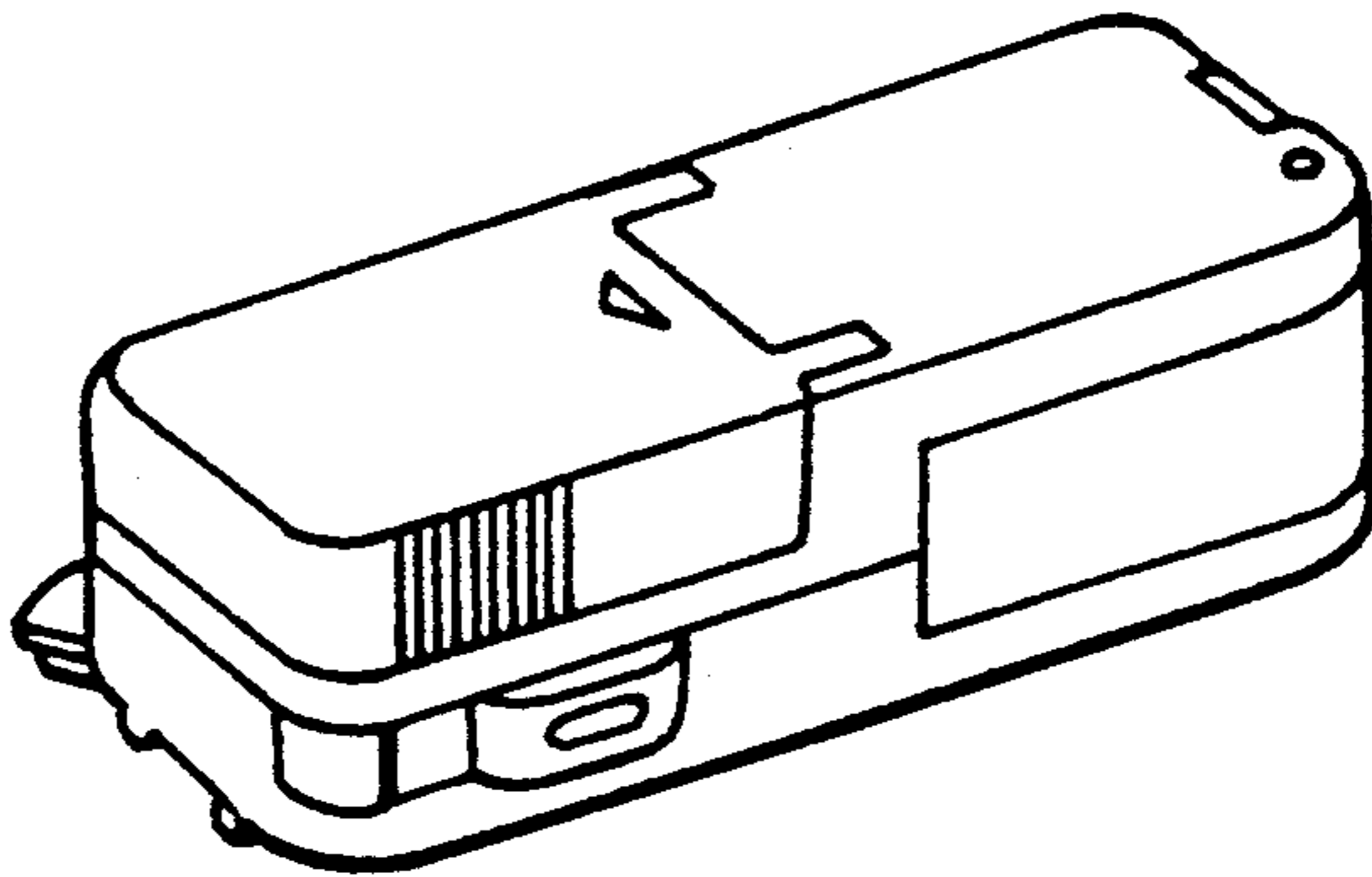


FIG. 9.

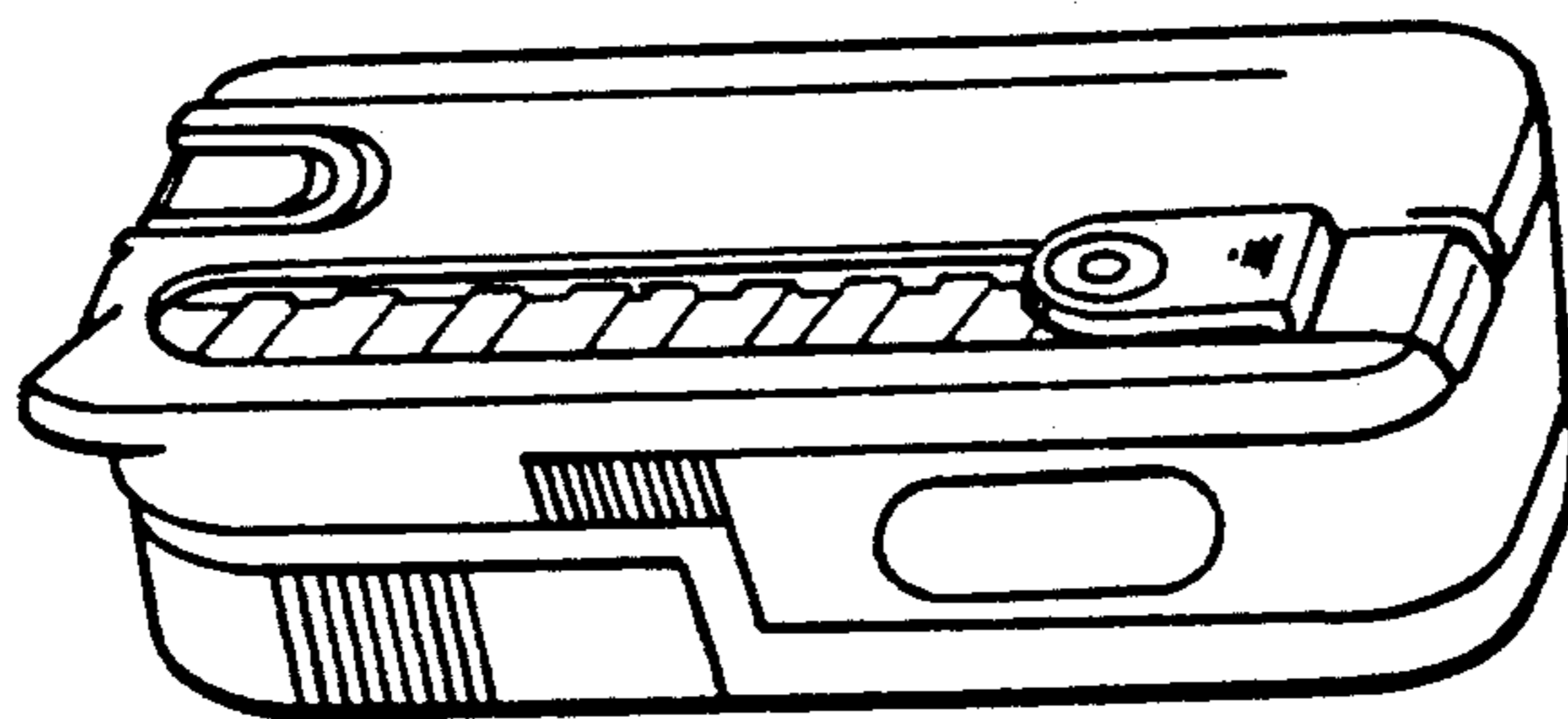


FIG. 10.