

[54] **TAMPING BLOCK**

[76] **Inventor:** Henry Ciciliot, Box 270-A Lorraine Cir., R.D. #1, Allentown, Pa. 18104

[\*\*] **Term:** 14 Years

[21] **Appl. No.:** 306,459

[22] **Filed:** Feb. 6, 1989

[52] **U.S. Cl.** ..... D8/75; D8/14

[58] **Field of Search** ..... D8/75, 76, 77, 78, 81, D8/90, 91, 14; D14/138; D15/28, 29; D21/108; 254/104; 81/19, 20, 21, 22

[56] **References Cited**

**U.S. PATENT DOCUMENTS**

D. 238,745	2/1976	Bedard	.....	D8/47
D. 268,804	5/1983	Bacon	.....	D8/14
1,855,987	4/1932	Rammer	.....	D25/113

**OTHER PUBLICATIONS**

Wood Craft Supply, 1979, p. 21, file stones.  
Leichtung Fine Tools, 1986, p. 48, sanding blocks.

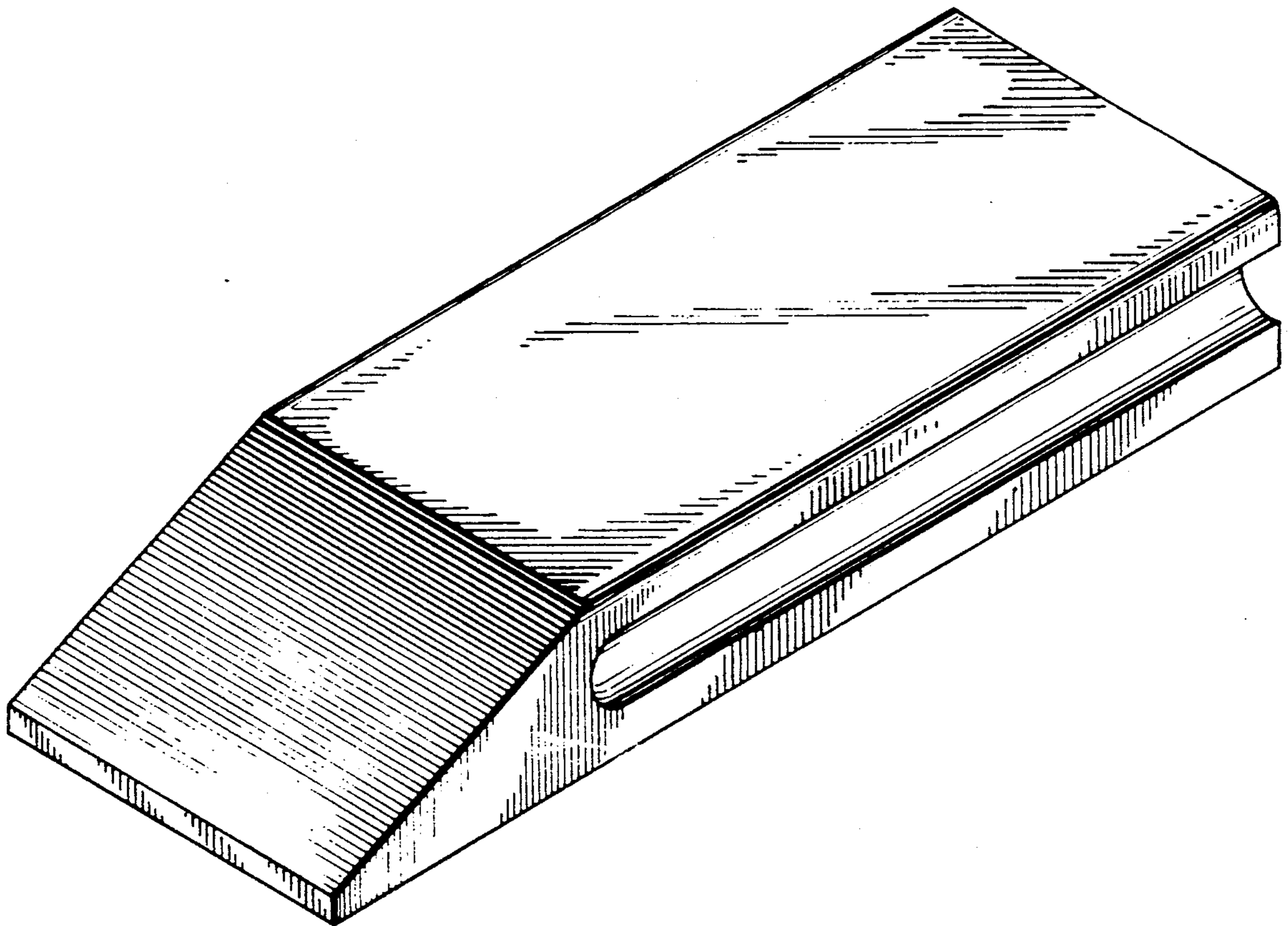
*Primary Examiner*—Bernard Ansher  
*Assistant Examiner*—Philip Hyder  
*Attorney, Agent, or Firm*—William B. Noll

[57] **CLAIM**

The ornamental design for a tamping block, as shown and described.

**DESCRIPTION**

FIG. 1 is a perspective view of a tamping block showing my new design;  
FIG. 2 is a front elevational view thereof;  
FIG. 3 is a rear elevational view thereof;  
FIG. 4 is a left side elevational view thereof, the right side being a mirror image; and  
FIG. 5 is a bottom plan view thereof.



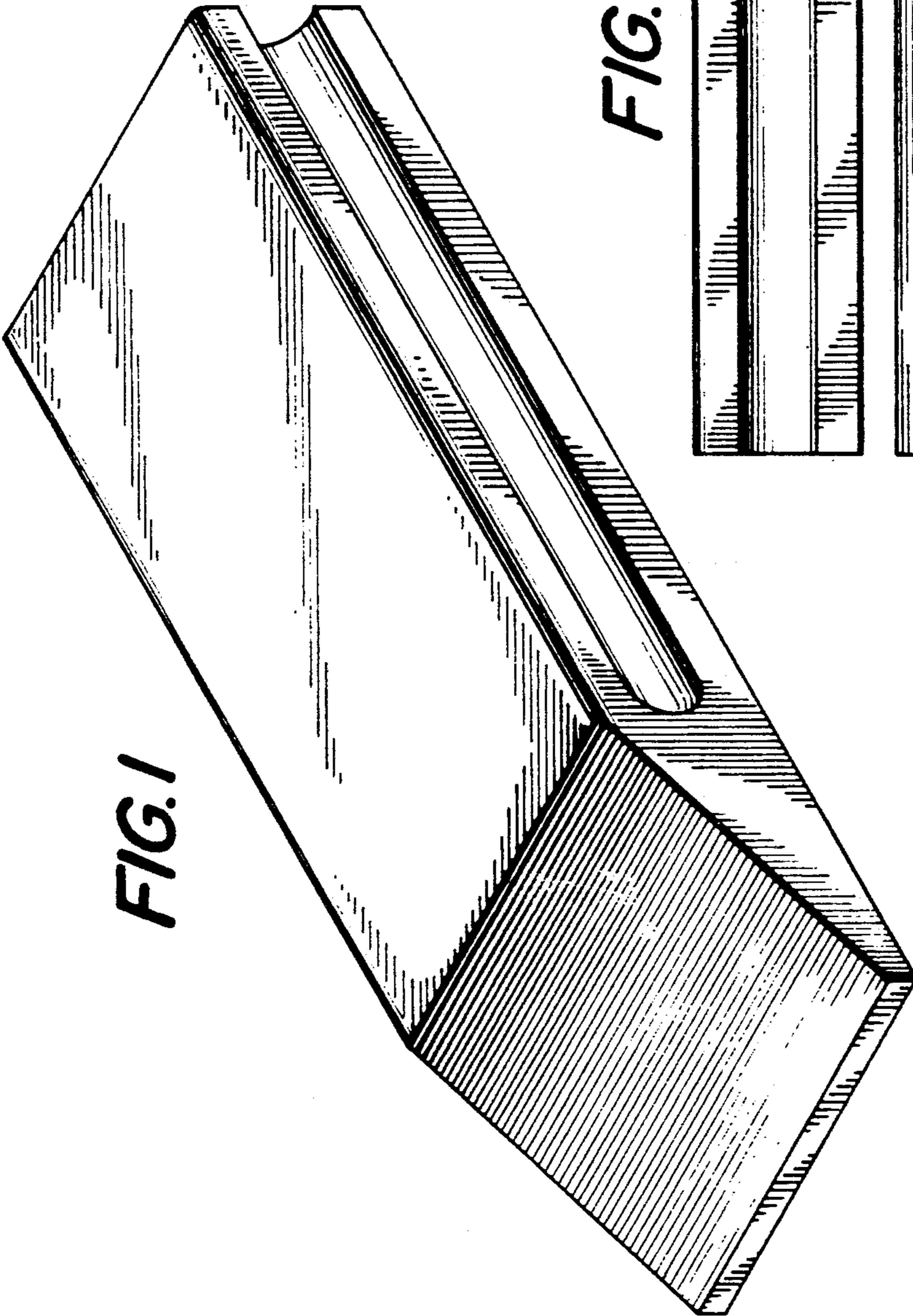


FIG. 2

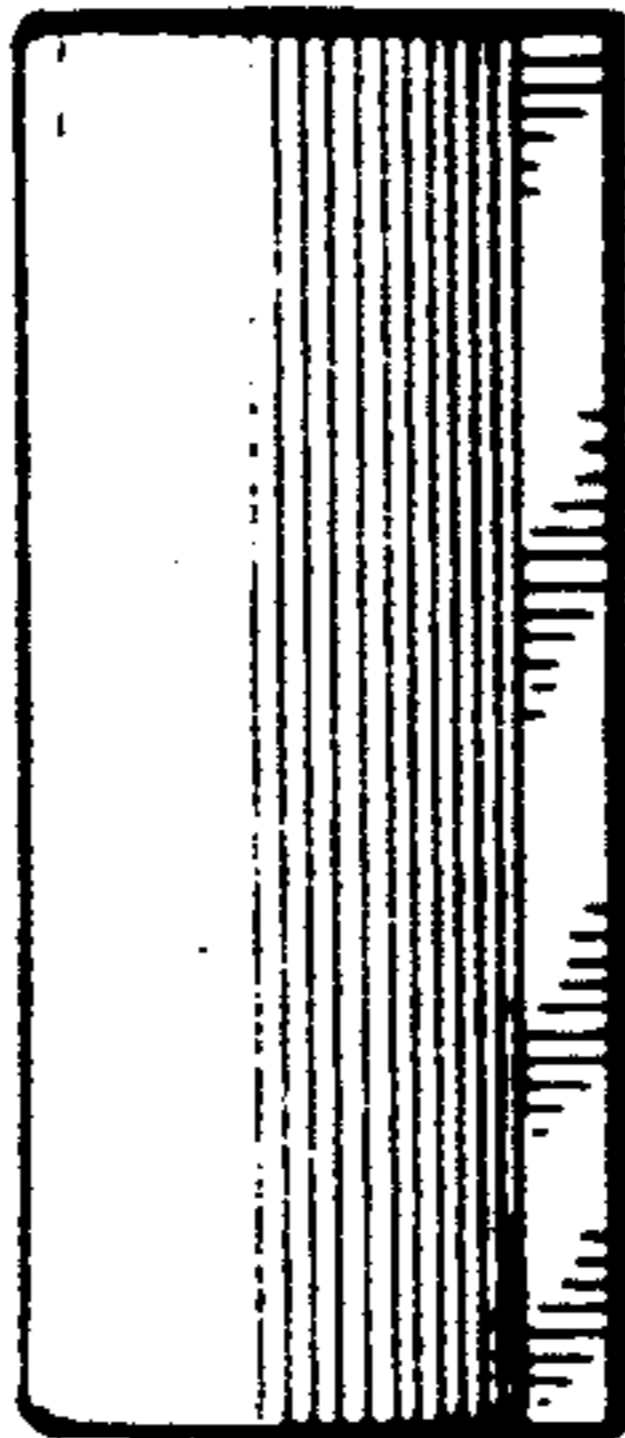


FIG. 3

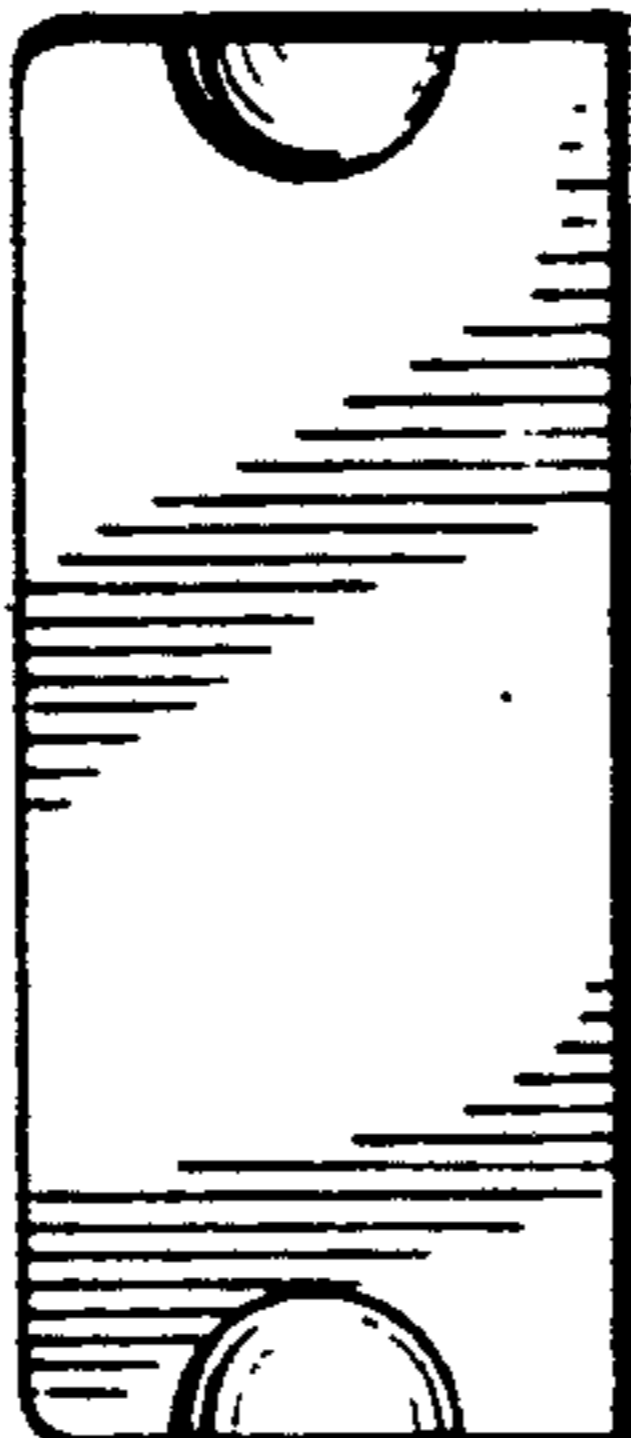


FIG. 4

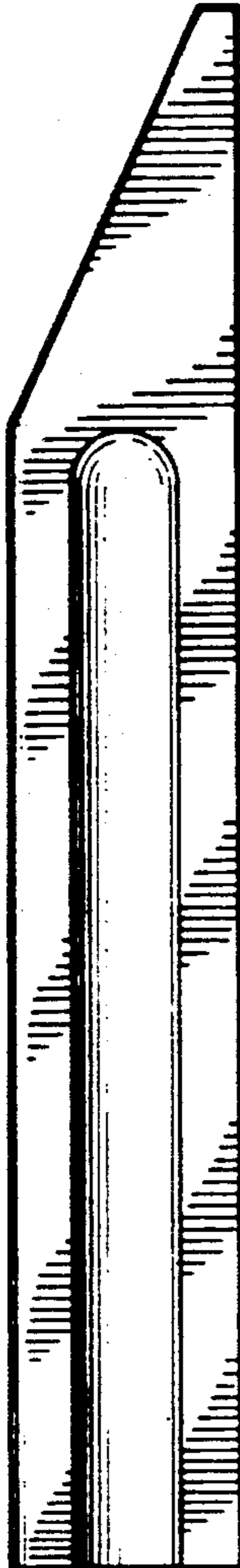


FIG. 5

