

United States Patent [19]

Dobson et al.

[11] Patent Number: Des. 321,625

[45] Date of Patent: ** Nov. 19, 1991

[54] **ELECTRIC SKILLET**

[75] Inventors: William C. Dobson, West Bend, Wis.;
William C. Cesaroni, Glenview, Ill.

[73] Assignee: The West Bend Company, West Bend,
Wis.

[**] Term: 14 Years

[21] Appl. No.: 271,189

[22] Filed: Nov. 14, 1988

[52] U.S. Cl. D7/360

[58] Field of Search D7/354, 360, 355, 356,
D7/366, 367

[56] **References Cited**

U.S. PATENT DOCUMENTS

- D. 174,540 4/1955 Feinstein D7/360
- D. 195,268 5/1963 Reed et al. D7/360

- D. 205,150 6/1966 Cornwell, Jr. et al. D7/391
- D. 207,861 6/1967 Felske D7/360
- D. 248,079 6/1978 Painter et al. D7/360
- 3,244,861 4/1966 Colburn D7/360 X

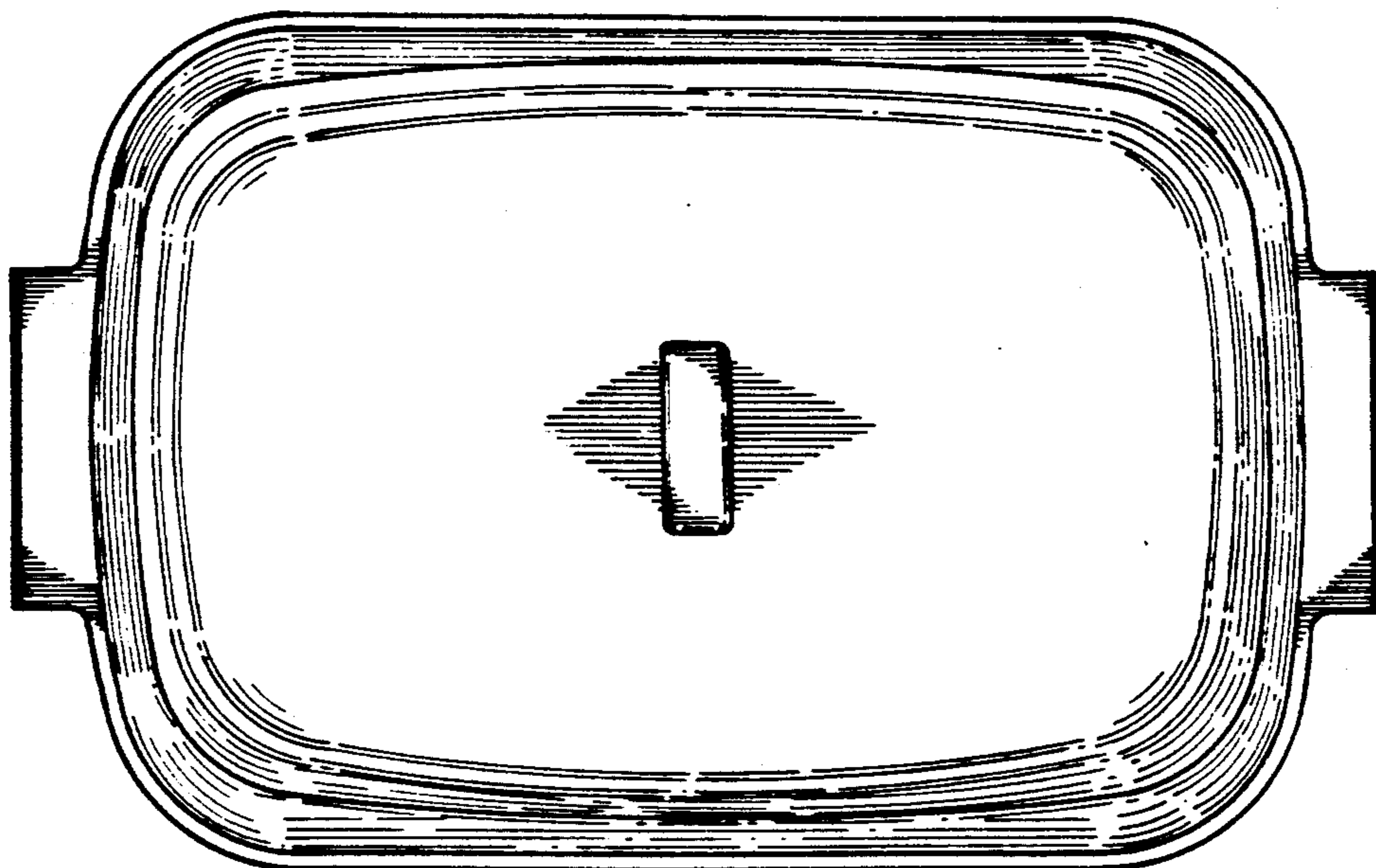
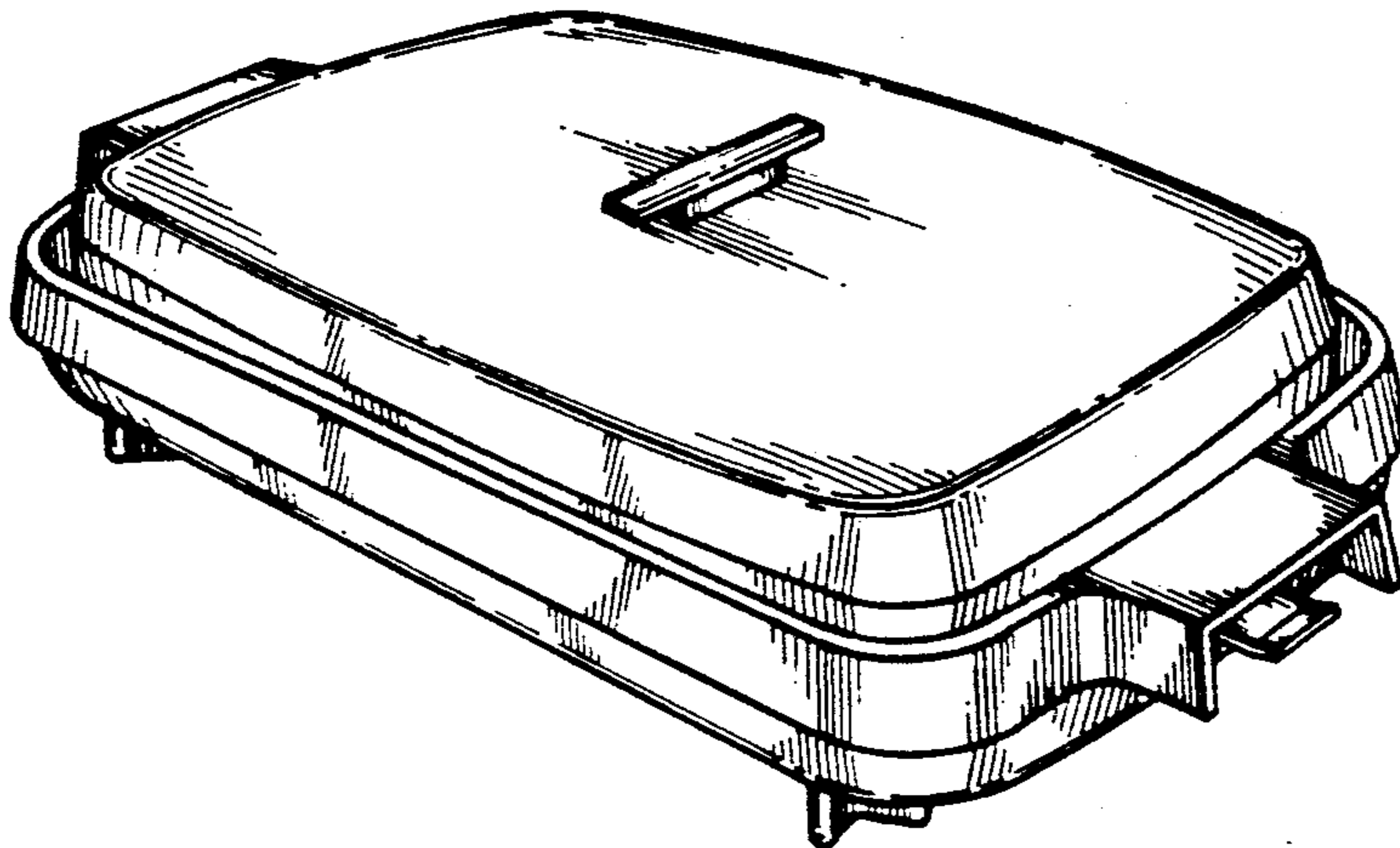
Primary Examiner—Winifred E. Herrmann
Attorney, Agent, or Firm—Russell L. McIlwain

[57] **CLAIM**

The ornamental design for an electric skillet, as shown.

DESCRIPTION

FIG. 1 is a front perspective view of an electric skillet embodying our new design;
 FIG. 2 is a right side elevational view thereof;
 FIG. 3 is a left side elevational view thereof;
 FIG. 4 is a front elevational view thereof;
 FIG. 5 is a rear elevational view thereof;
 FIG. 6 is a top plan view thereof; and
 FIG. 7 is a bottom plan view thereof.



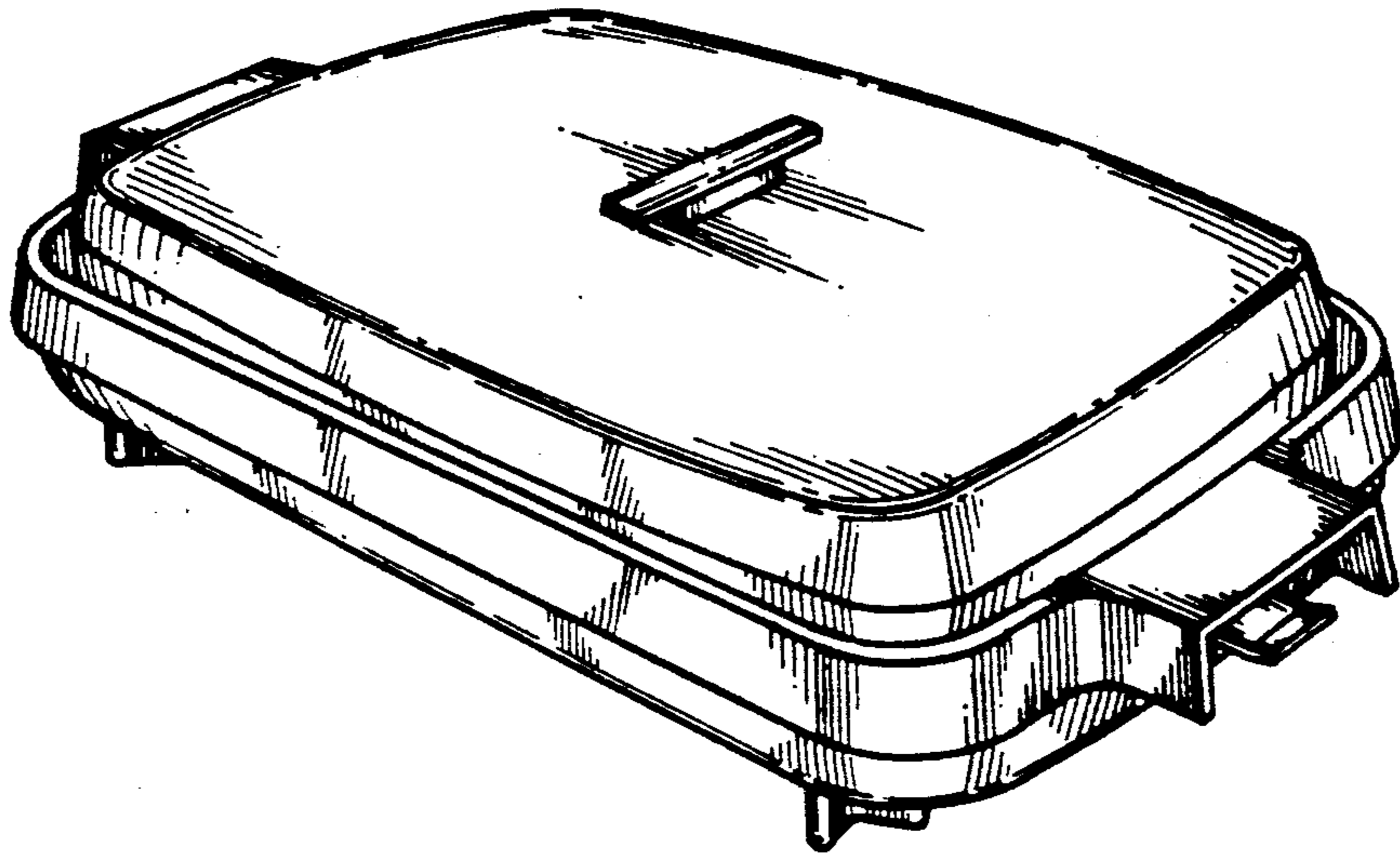


Fig. 1

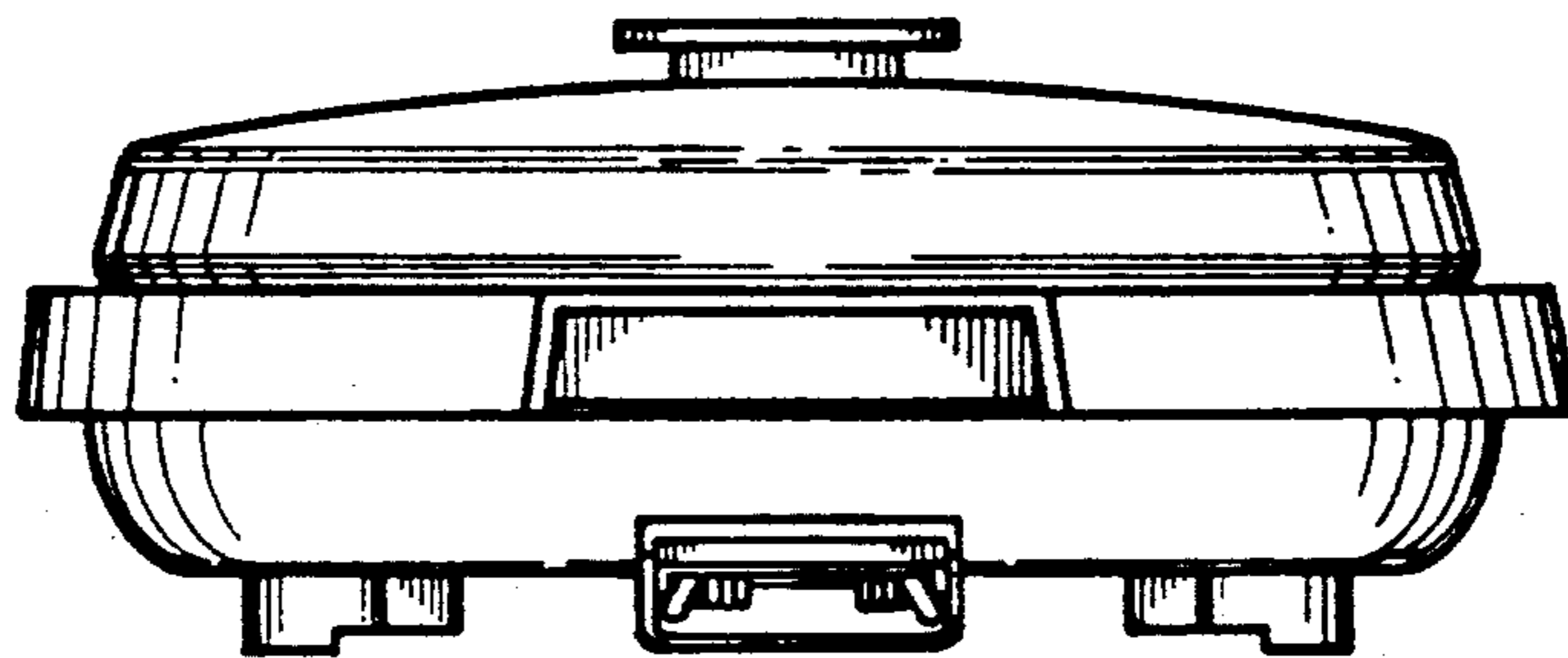


Fig. 2

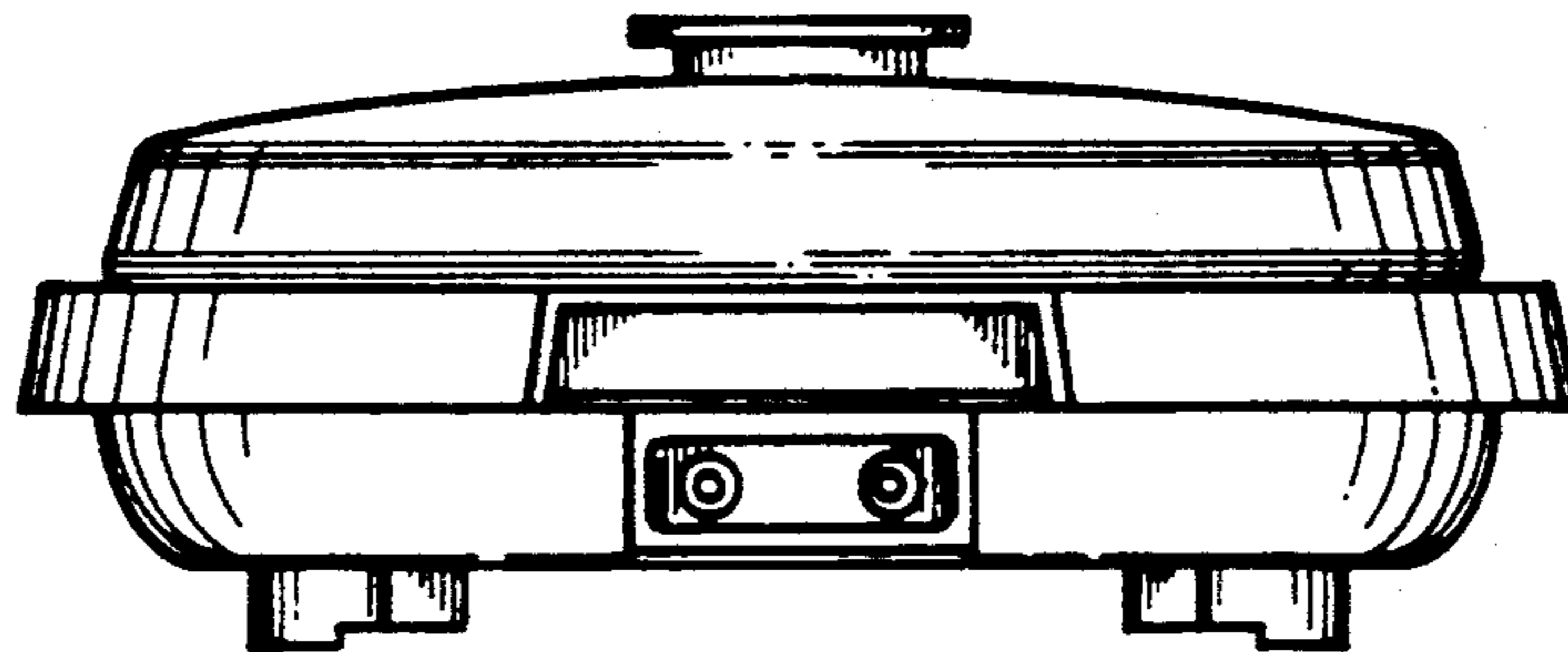


Fig. 3

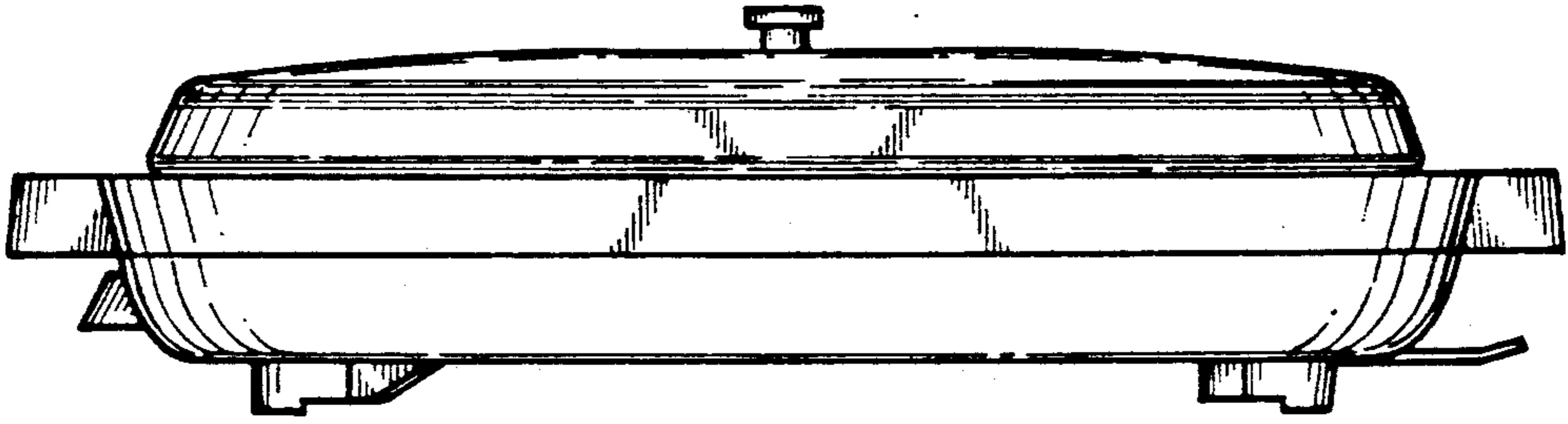


Fig. 4

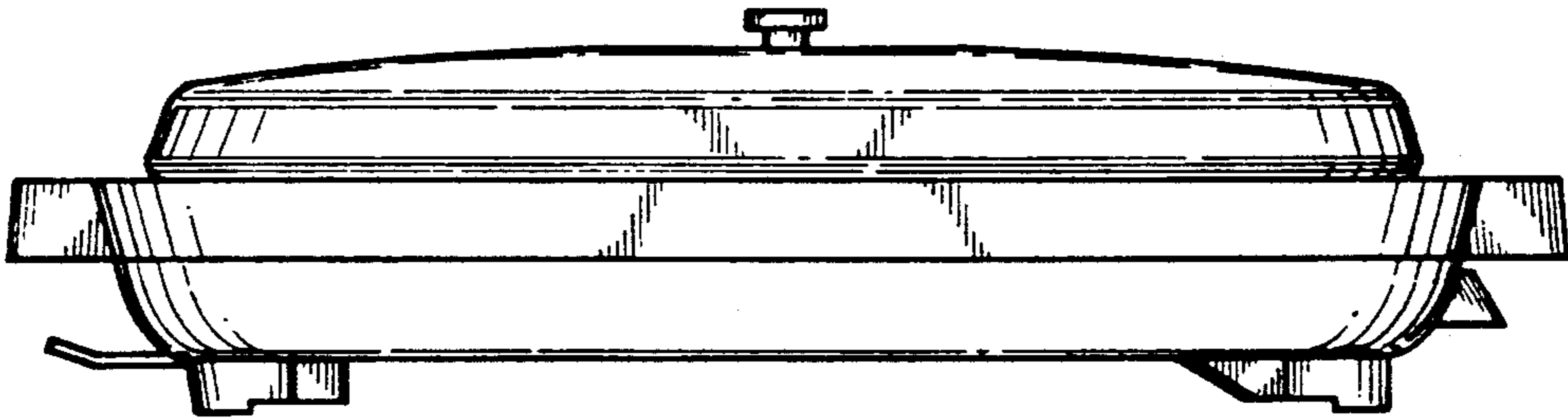


Fig. 5

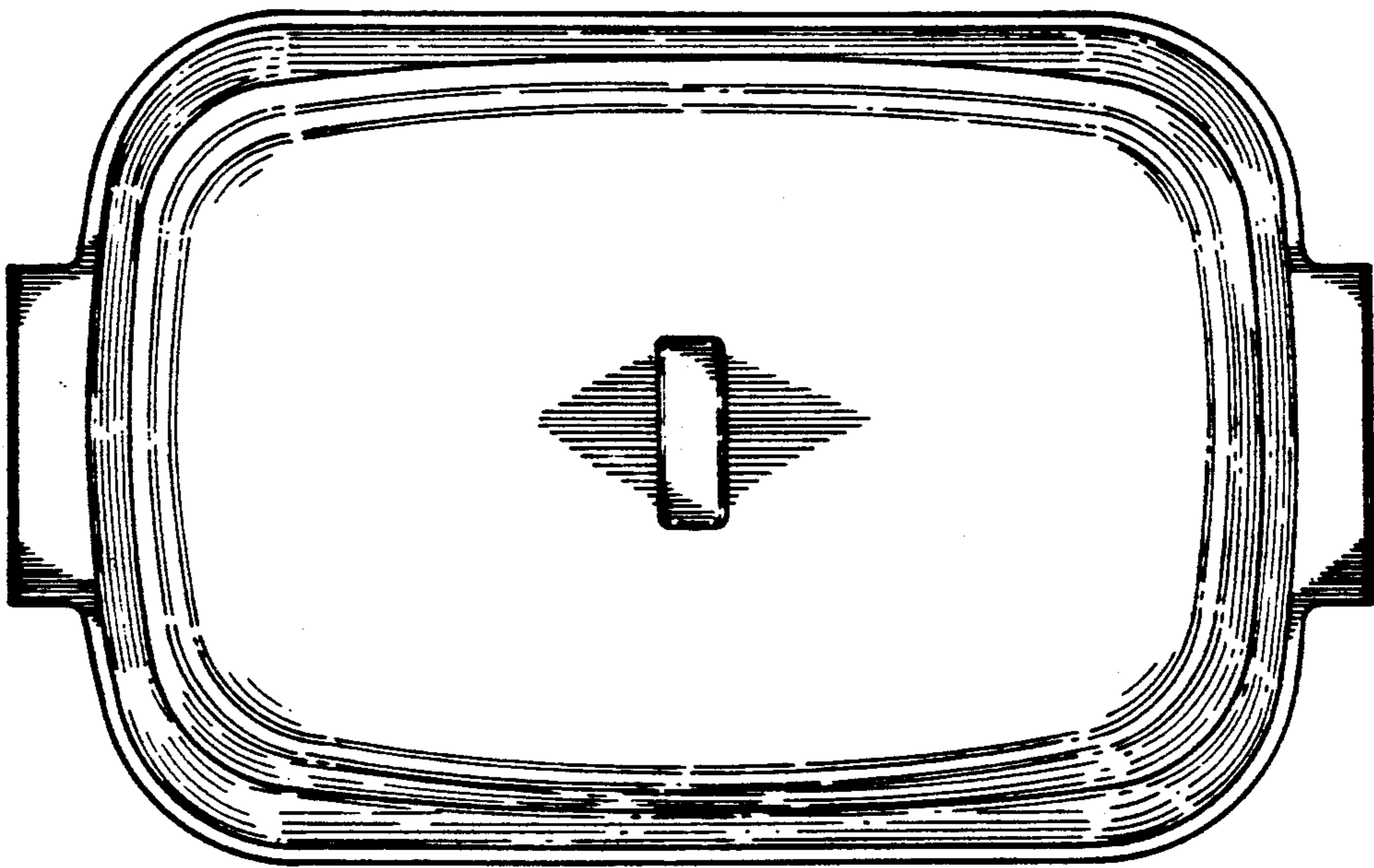


Fig. 6

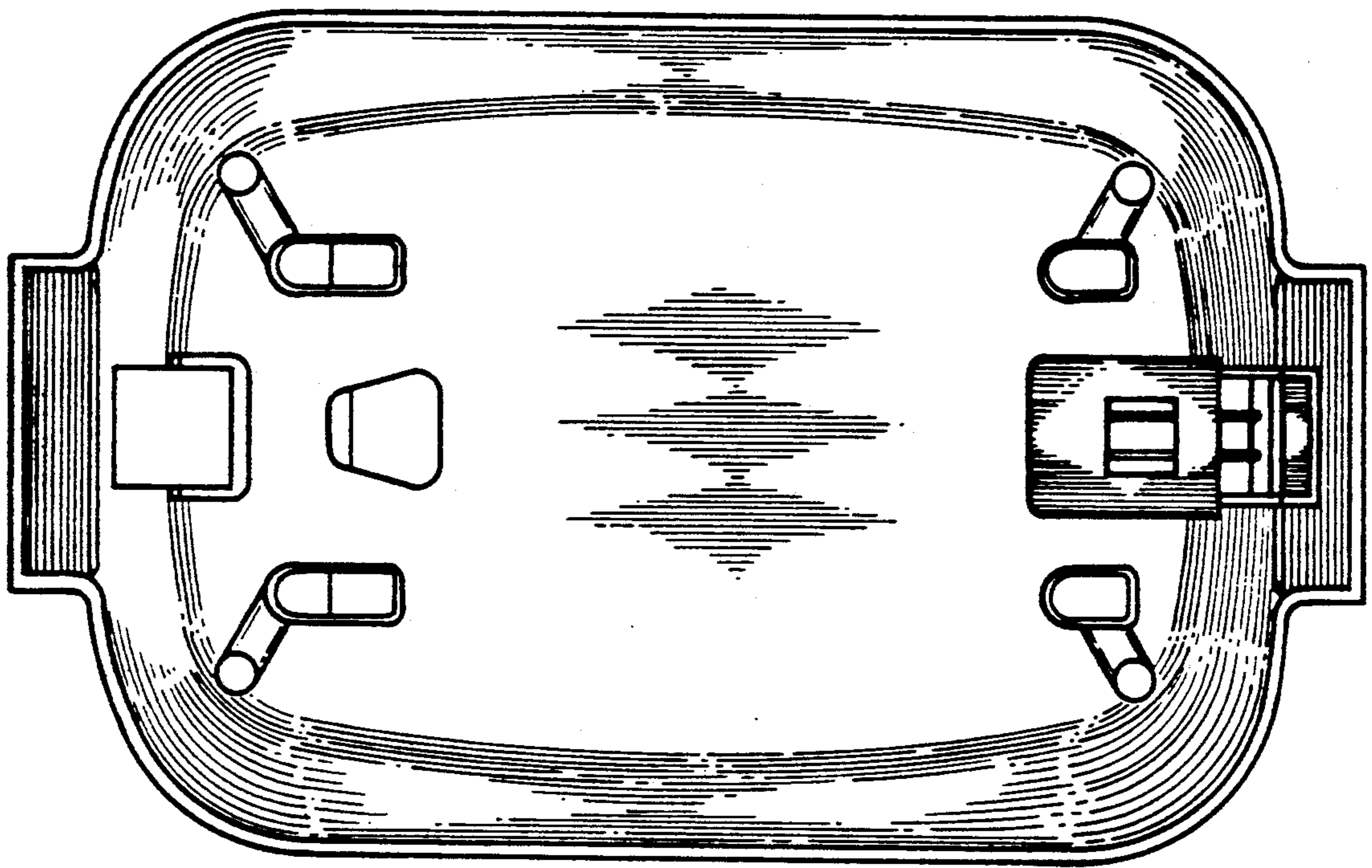


Fig. 7