

[54] PITCHER

[75] Inventors: Joseph F. Fiore; John C. Weyer, Sr., both of Wooster, Ohio

[73] Assignee: Rubbermaid Incorporated, Wooster, Ohio

[**] Term: 14 Years

[21] Appl. No.: 296,035

[22] Filed: Jan. 12, 1989

[52] U.S. Cl. D7/321; D7/317; D9/376; D9/446

[58] Field of Search D7/321, 300, 305, 302, D7/303, 320, 312, 322, 316-319; D9/446, 376, 374, 378

[56] References Cited

U.S. PATENT DOCUMENTS

D. 115,833	7/1939	Kruck	D7/317
D. 192,886	5/1962	Kaplan	D9/374
D. 235,733	7/1975	Platte	D9/378
D. 270,616	9/1983	Cox	D9/378
D. 277,363	1/1985	Drummond, Jr. et al.	D9/376 X
D. 279,417	6/1985	Spencer	D9/374 X
D. 303,087	8/1989	Gendron	D9/378

D. 305,504 1/1990 Fischer et al. D9/374

OTHER PUBLICATIONS

Sell Sheet, *The Hall China Company*, street address unknown, East Liverpool, OH 43920, publication date 1986.

P. 5, *Ingrid*, Division of Sevko, 1419 Lake-Cook Road, Deerfield, IL 60015, publication date unknown.

Primary Examiner—Winifred E. Herrmann

Attorney, Agent, or Firm—Richard B. O'Planick

[57] CLAIM

The ornamental design for a pitcher, as shown and described.

DESCRIPTION

FIG. 1 is a top rear perspective view of a pitcher showing our new design;

FIG. 2 is a front elevational view thereof.

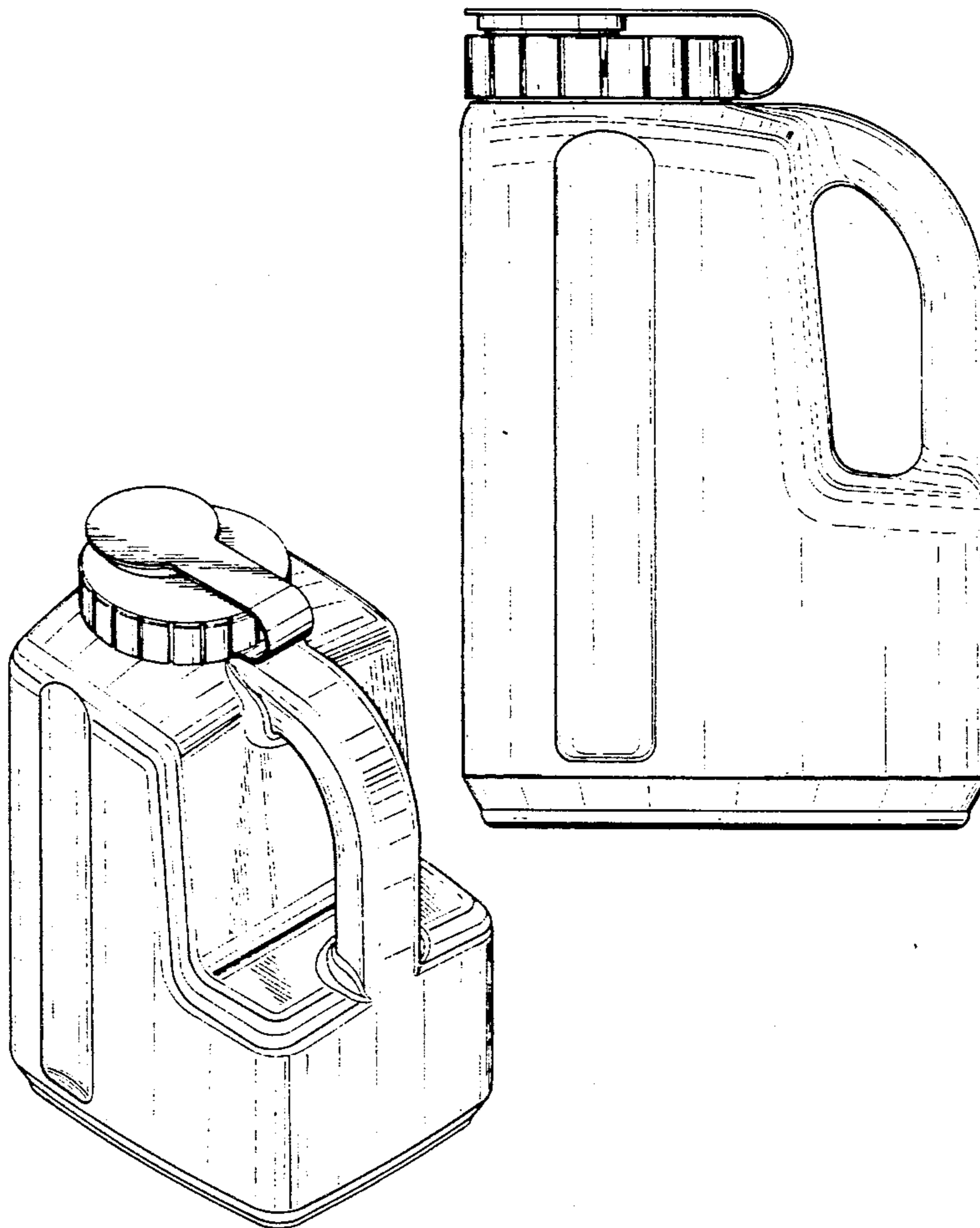
FIG. 3 is a rear elevational view thereof.

FIG. 4 is a side elevational view thereof; the opposite side being a mirror image.

FIG. 5 is a top plan view thereof.

FIG. 6 is a bottom plan view thereof.

FIG. 7 is a transverse sectional view taken through line 7-7 of FIG. 5.



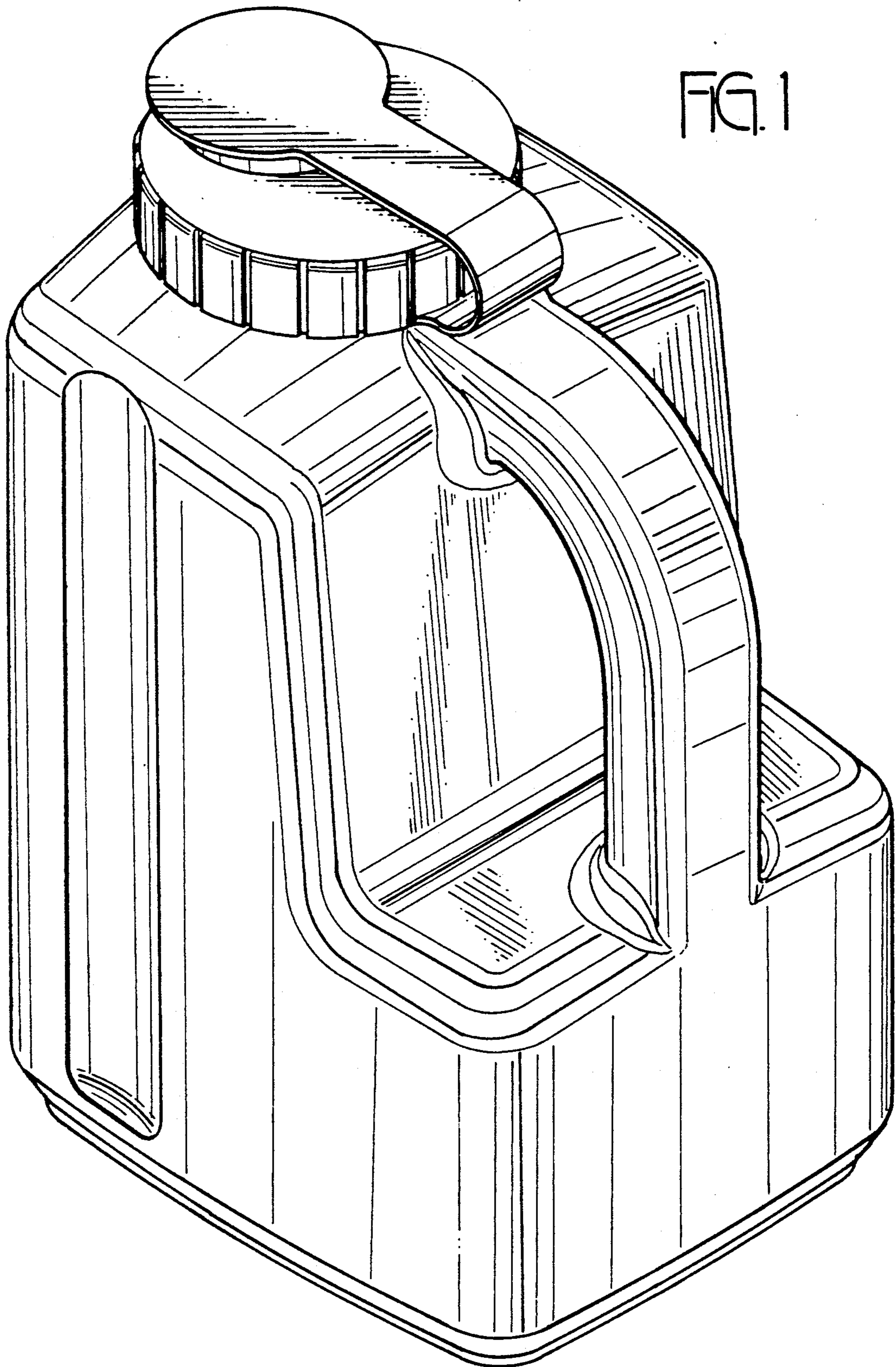


FIG. 1

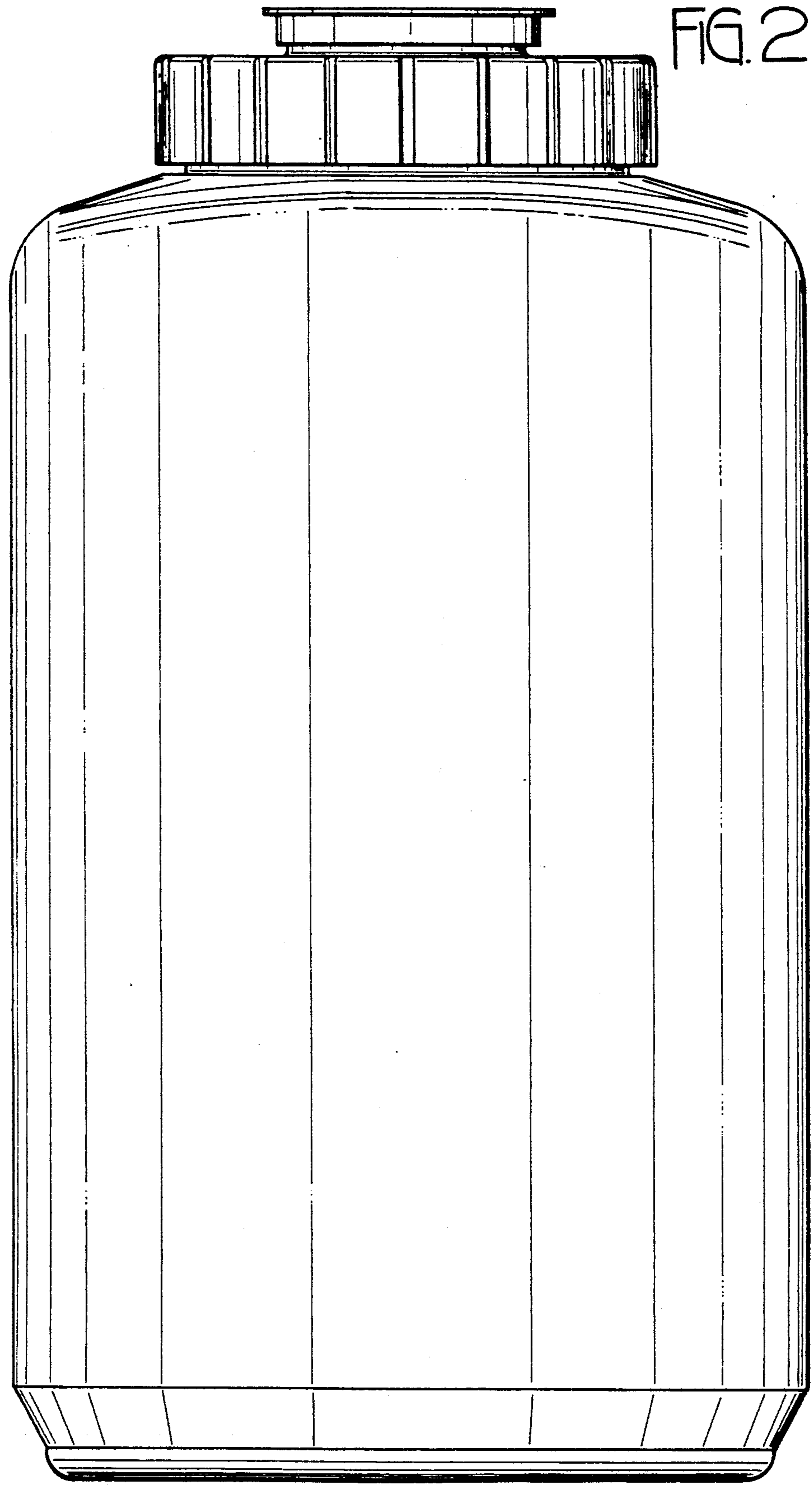


FIG. 2

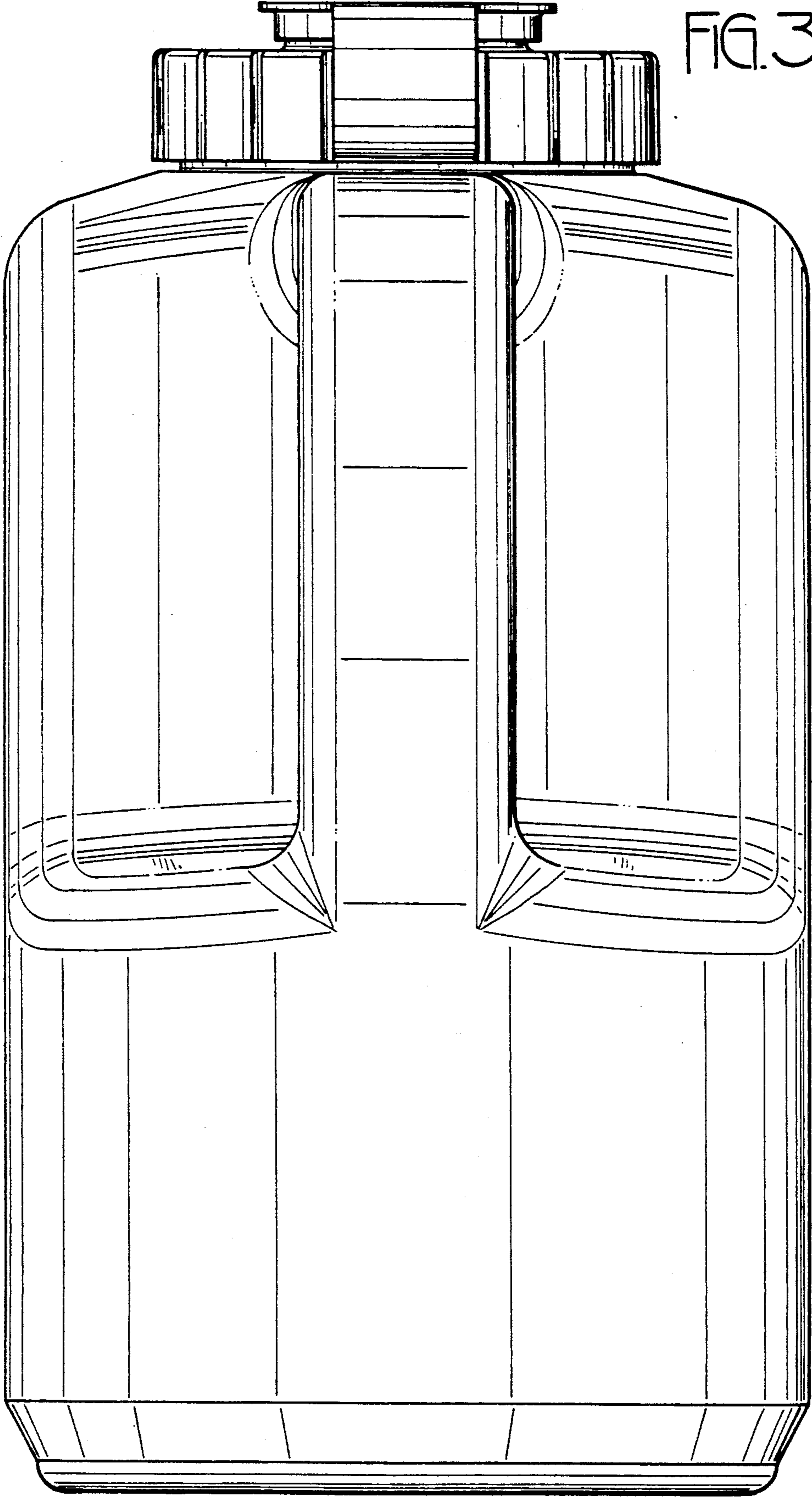


FIG. 3

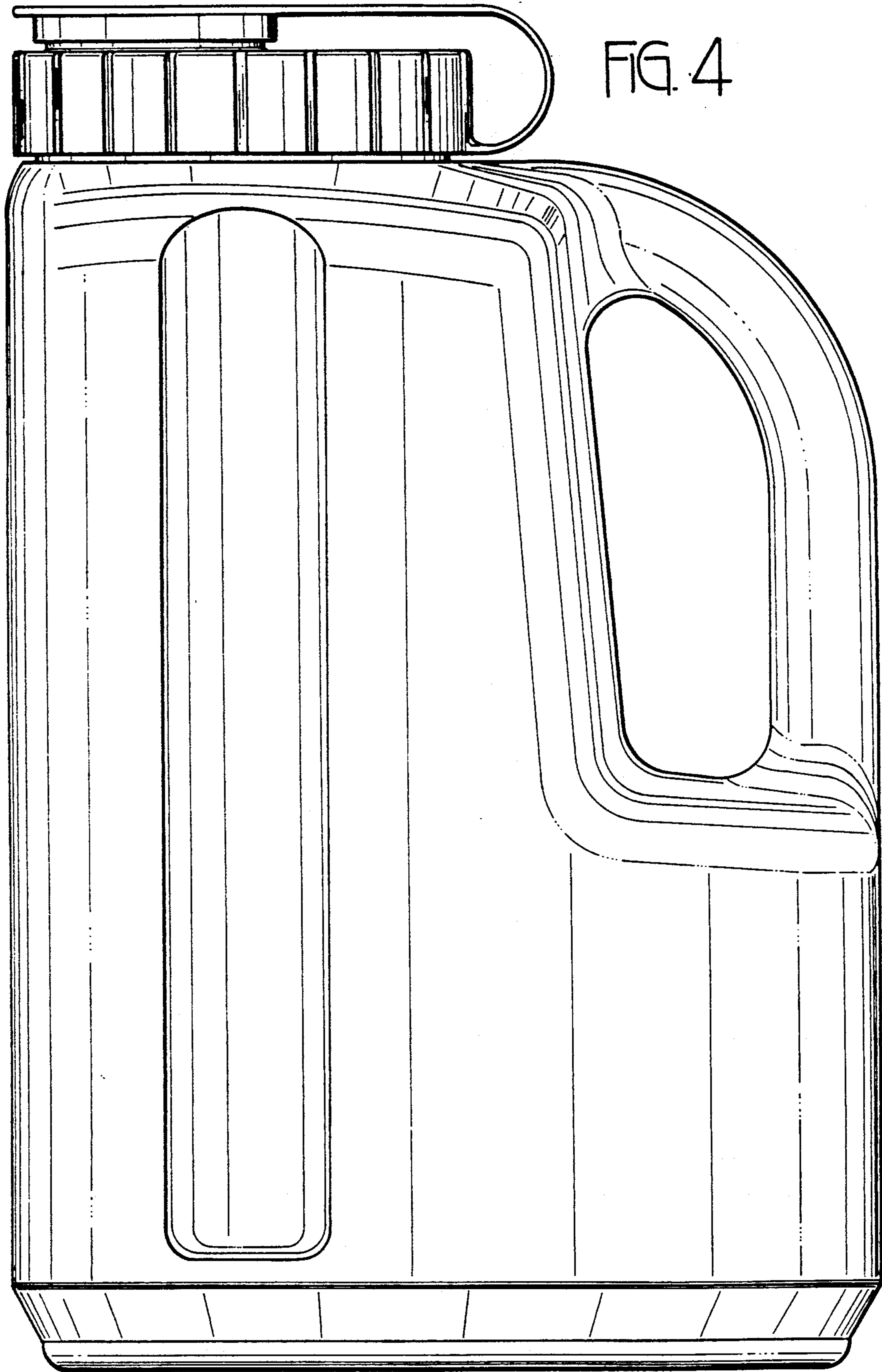


FIG. 4

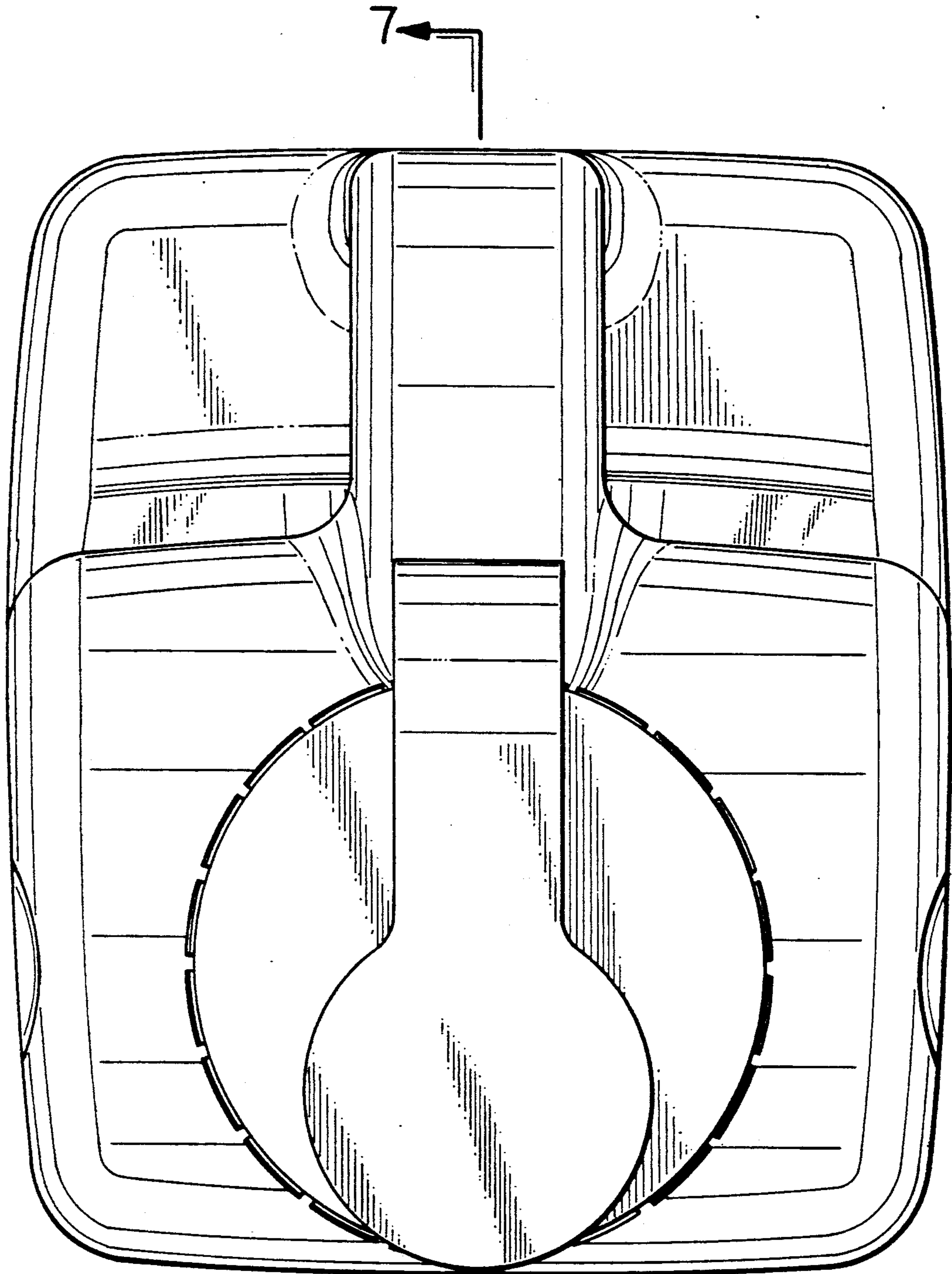


FIG. 5

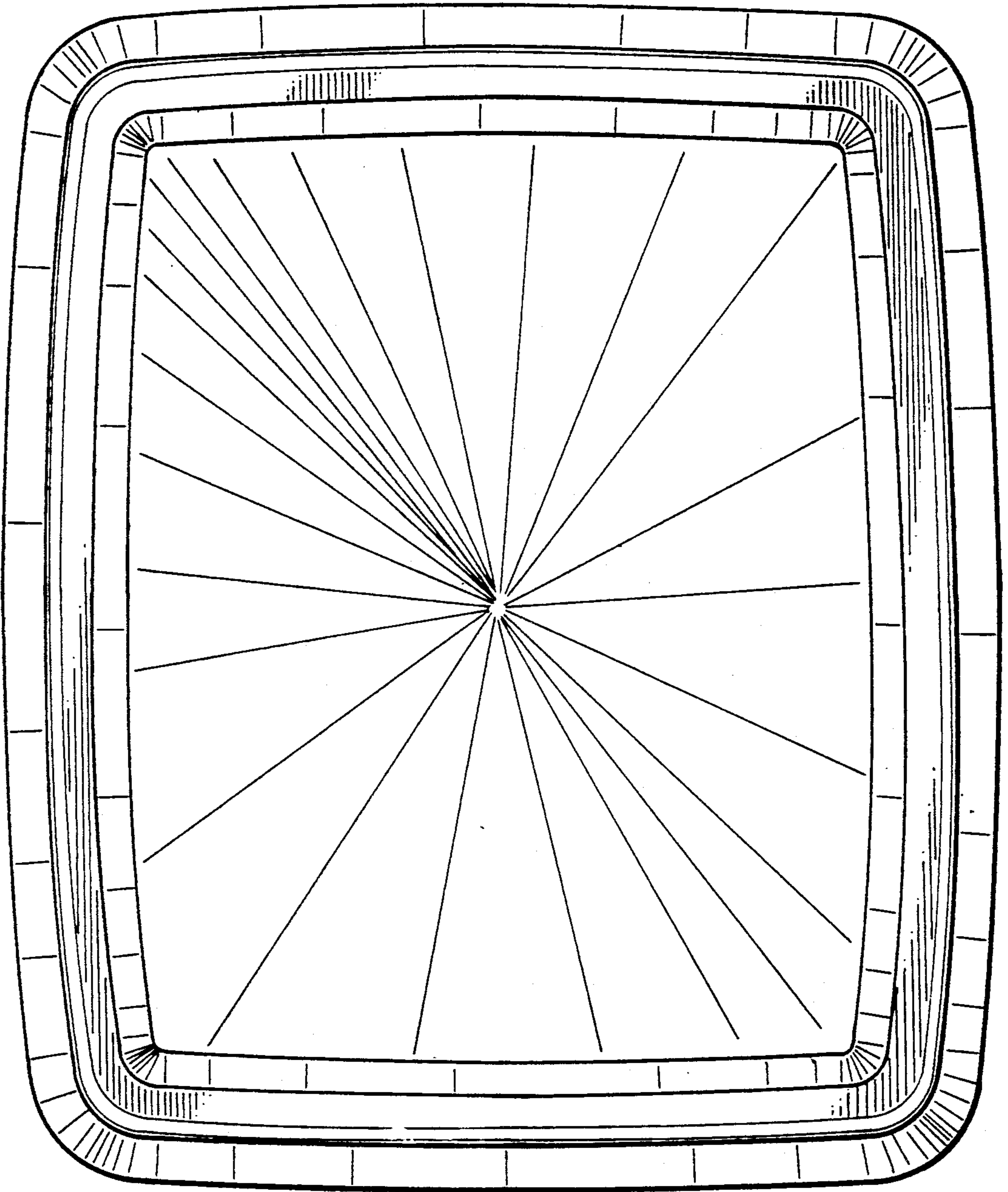


FIG. 6

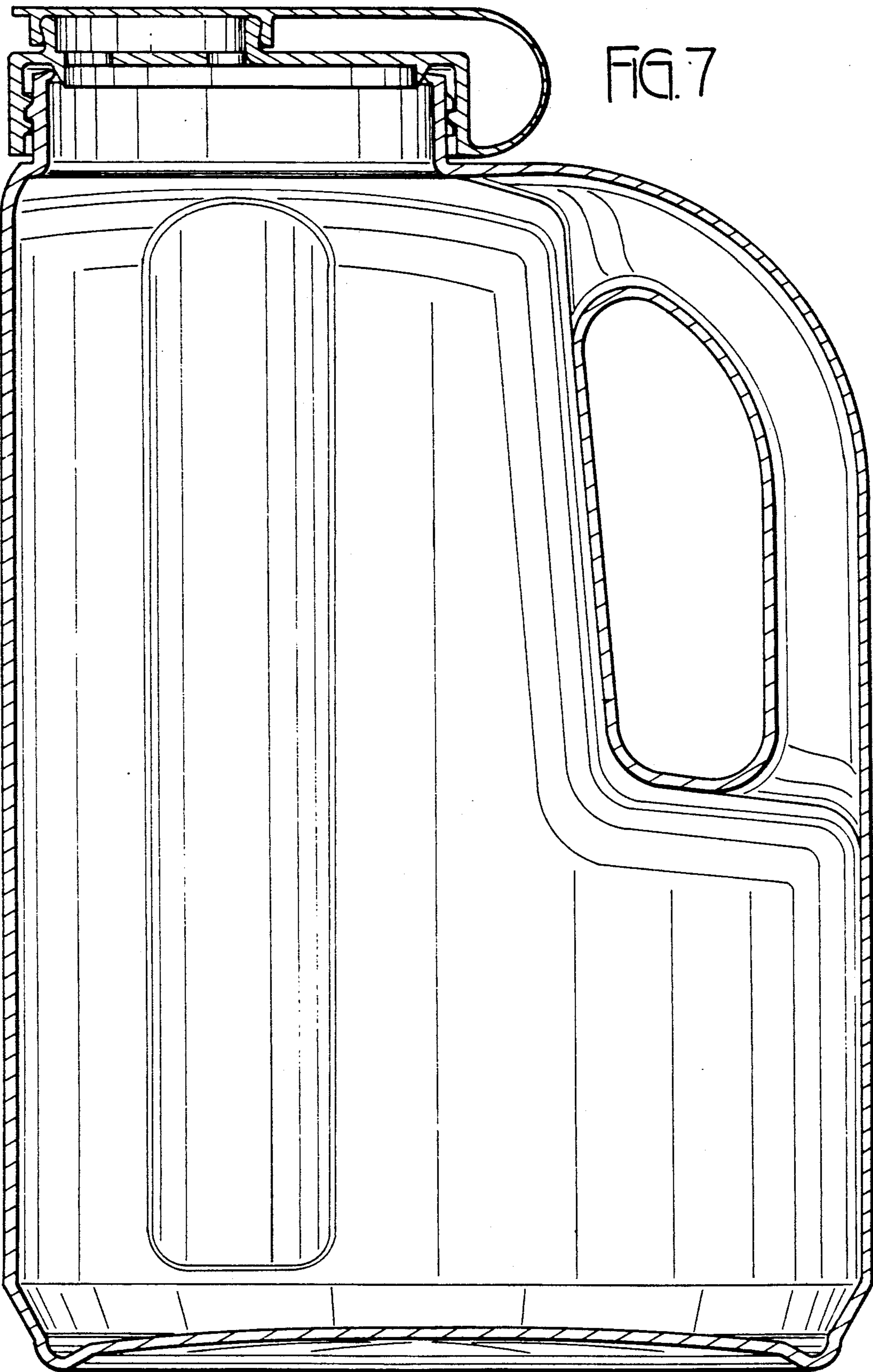


FIG. 7