

[54] COMBINED BRACKET AND SHELF ASSEMBLY

[75] Inventors: William E. Stumpf, Minneapolis; Casey L. Carlson, Edina, both of Minn.

[73] Assignee: Knape & Vogt Manufacturing Company, Grand Rapids, Mich.

[\*\*] Term: 14 Years

[21] Appl. No.: 380,651

[22] Filed: Jul. 14, 1989

[52] U.S. Cl. .... D6/574

[58] Field of Search ..... D6/567, 572, 574, 555, D6/511; 108/149; 211/83-88, 90, 126, 134; 248/251

[56] References Cited

U.S. PATENT DOCUMENTS

D. 203,511	1/1966	Gingher	.....	D6/572
D. 235,951	7/1975	del Castillo	.....	D6/555
D. 242,513	11/1976	Schweitzer	.....	D6/572
D. 264,159	5/1982	Bennett et al.	.....	D6/555
D. 301,424	6/1989	Beirise et al.	.....	D6/574
D. 302,240	7/1989	Zell	.....	D6/567 X

1,540,677	6/1925	Balmer	.....	D6/511 X
1,723,408	8/1929	Chamberlain et al.	.....	D6/511 X
3,556,306	1/1971	Shell	.....	211/90
4,669,692	6/1987	Mastrodicasa	.....	211/134 X
4,898,355	2/1990	Steinway	.....	248/251 X

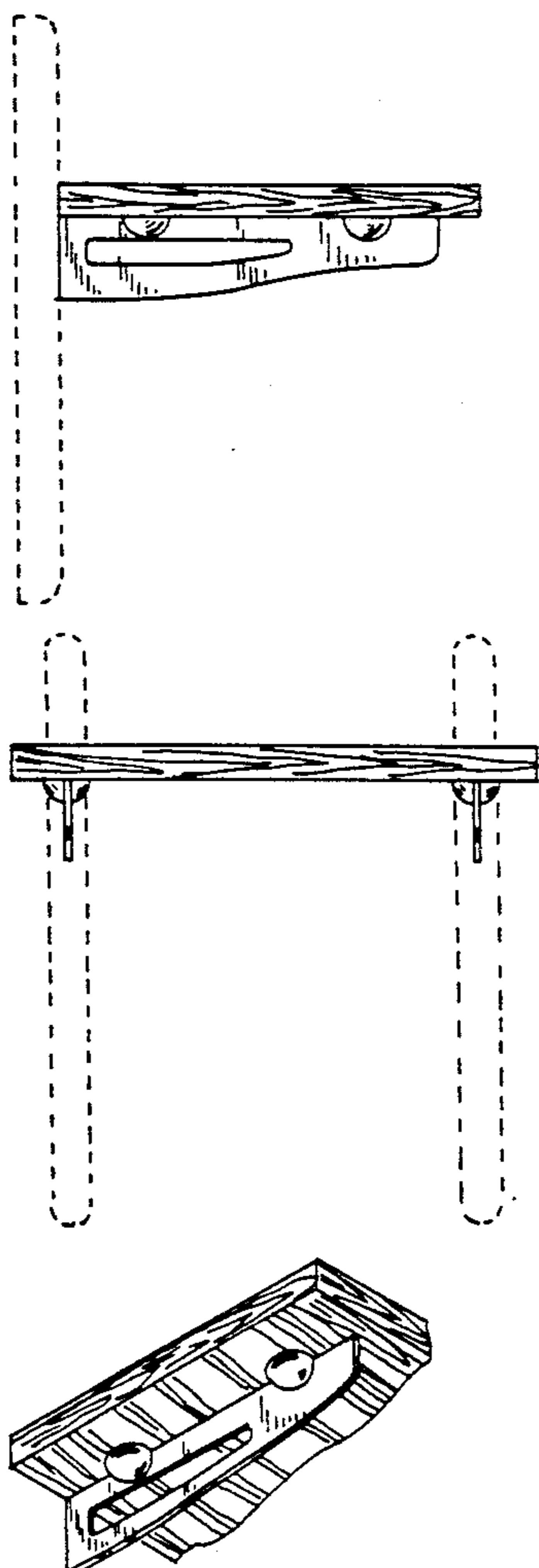
Primary Examiner—Brian N. Vinson  
Attorney, Agent, or Firm—Price, Heneveld, Cooper, DeWitt & Litton

[57] CLAIM

The ornamental design for a combined bracket and shelf assembly, as shown and described.

DESCRIPTION

FIG. 1 is a left side elevational view of a combined bracket and shelf assembly showing our new design, the right side being a mirror image of that shown; FIG. 2 is a front elevational view thereof; FIG. 3 is a bottom plan view thereof; FIG. 4 is a top plan view thereof; FIG. 5 is a rear elevational view thereof, and FIG. 6 is a fragmentary bottom, front, and left side perspective view thereof. The broken-line depiction of shelf standards in the views is for illustrative purposes only and forms no part of the claimed design.



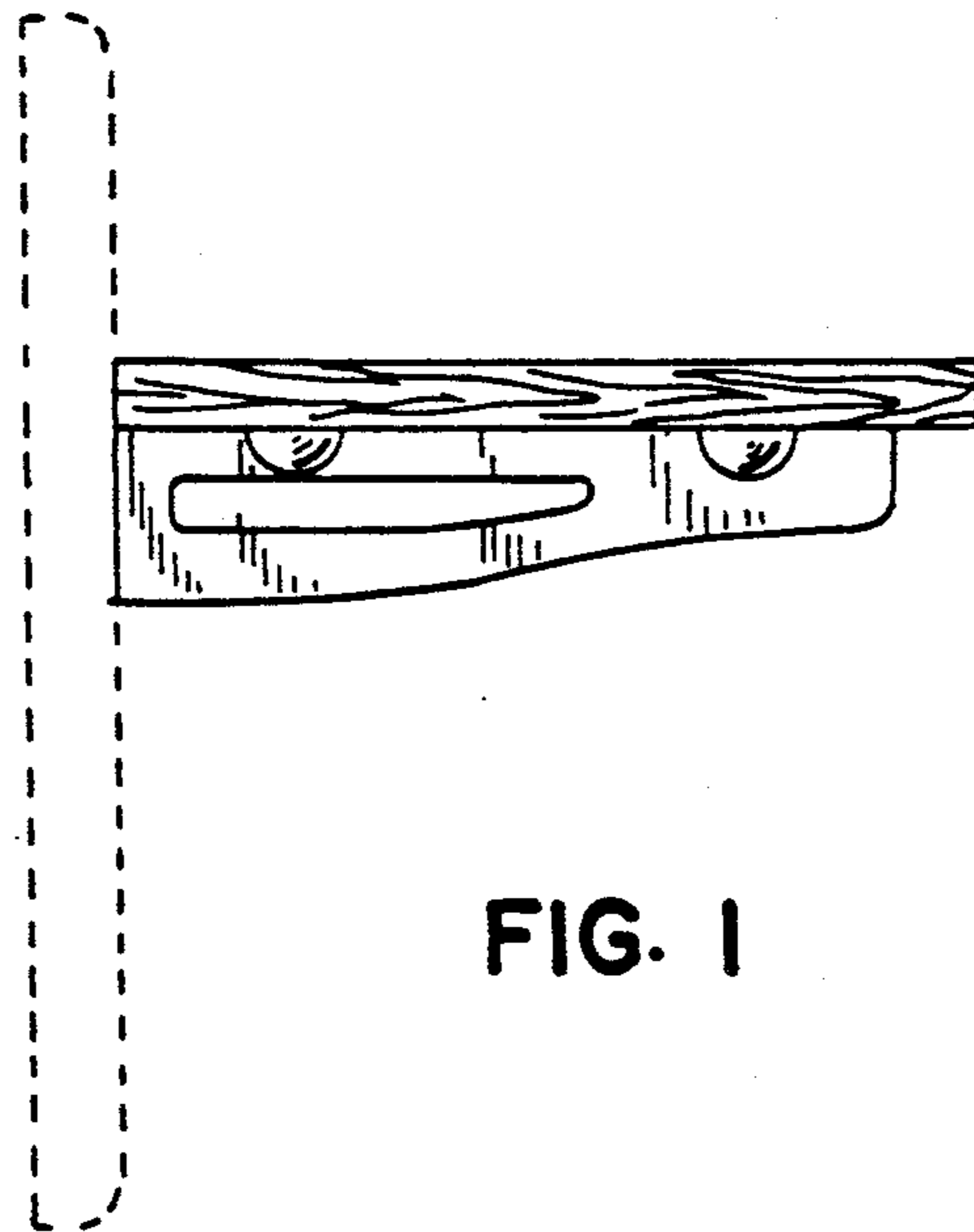


FIG. 1

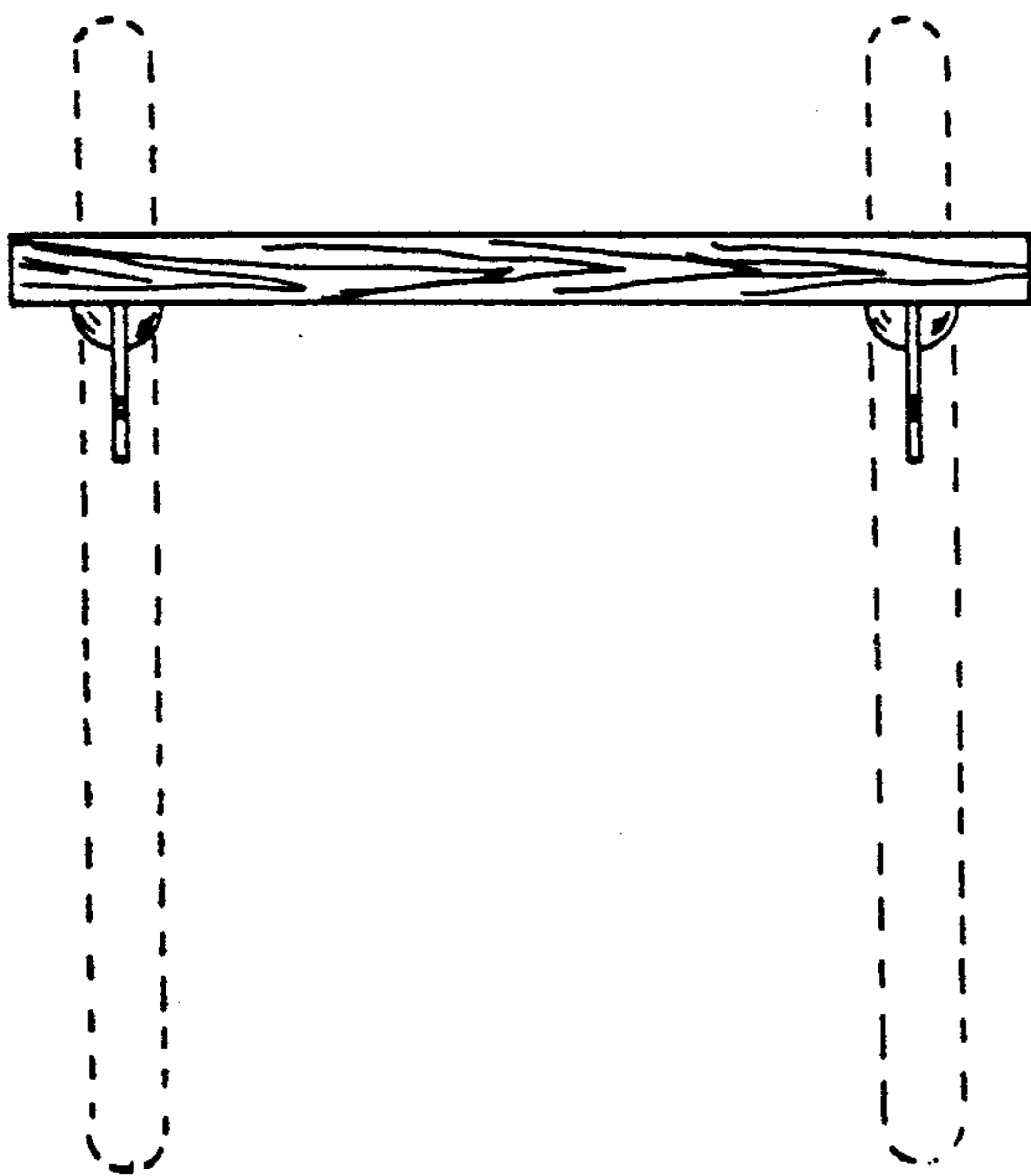


FIG. 2

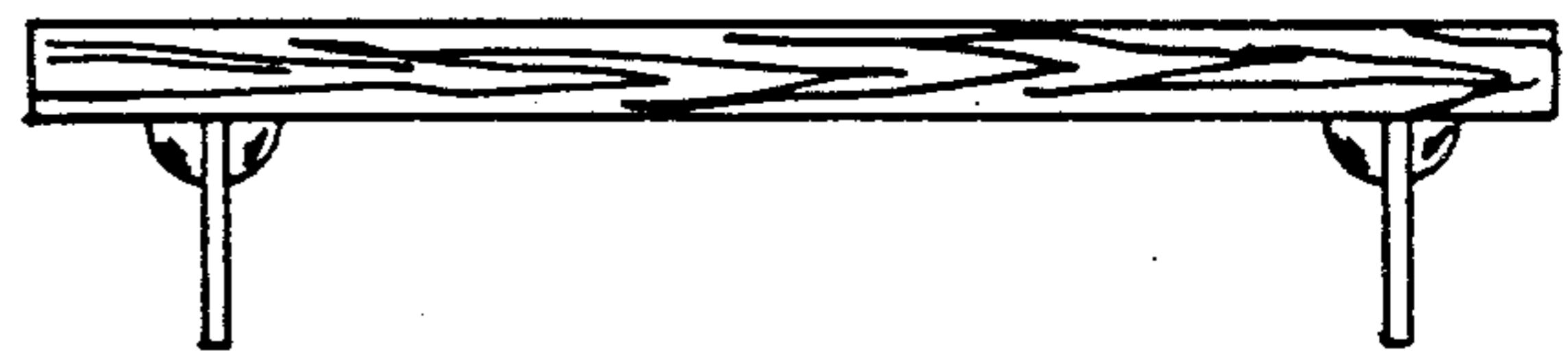


FIG. 5

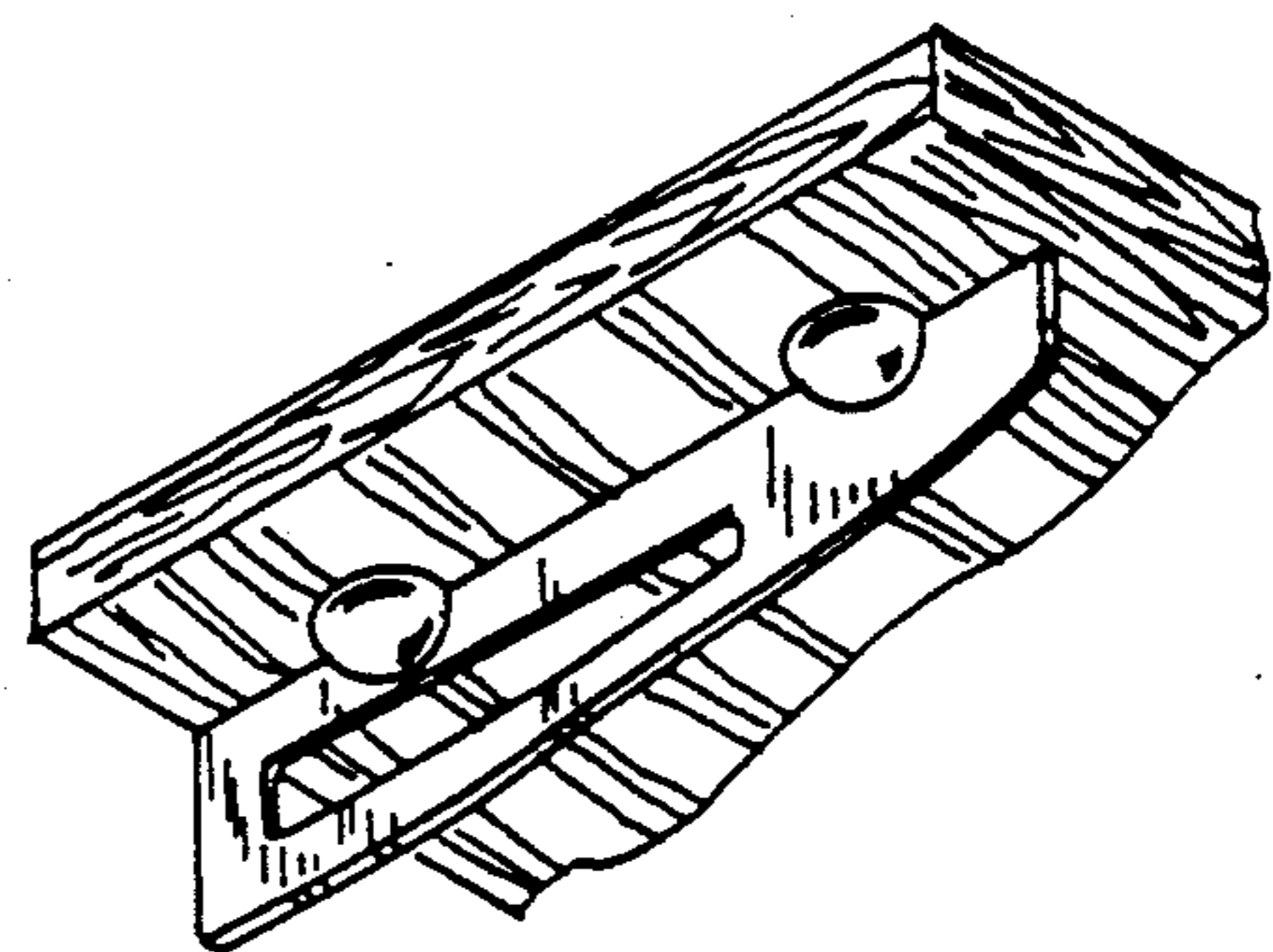


FIG. 6

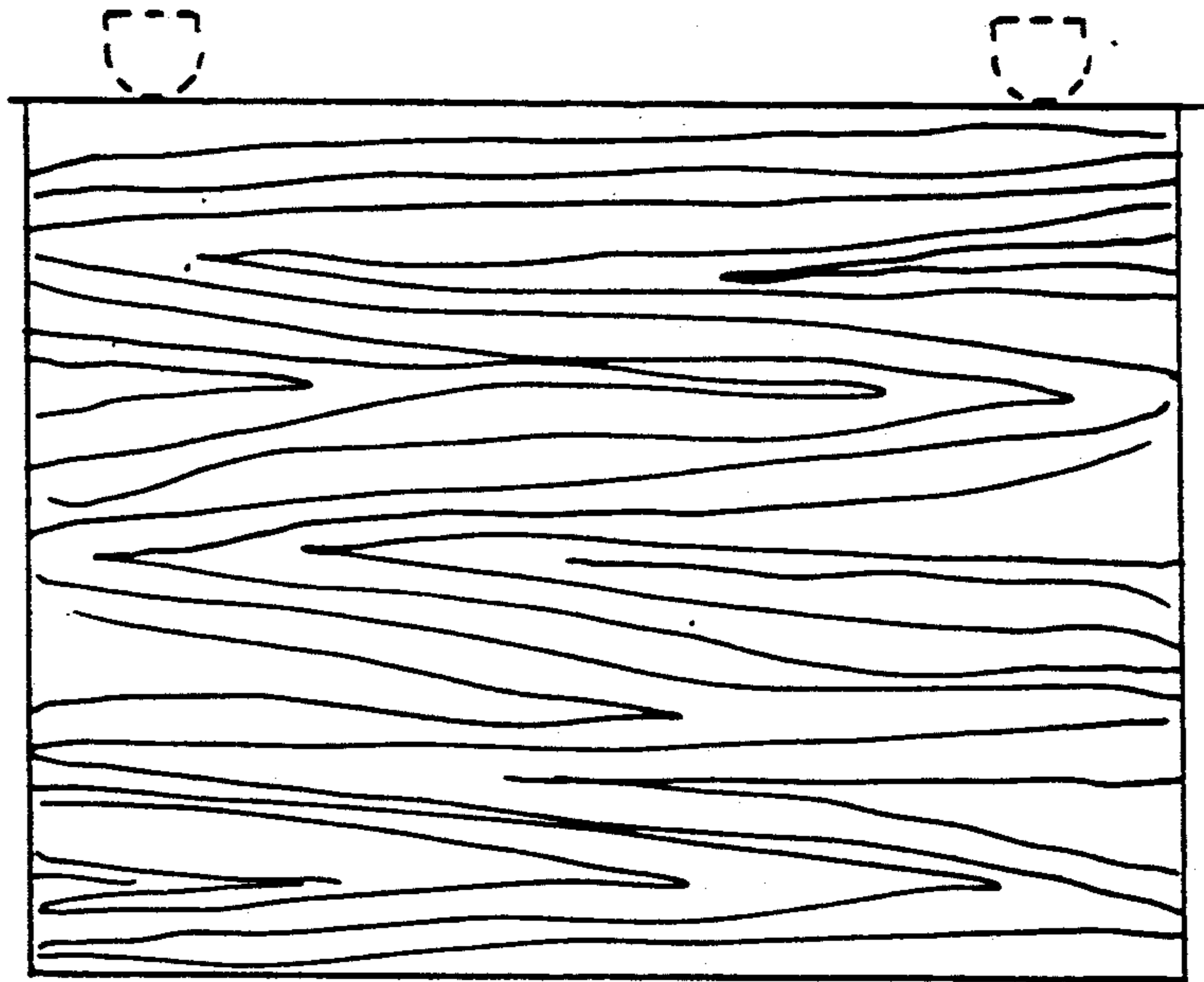


FIG. 4

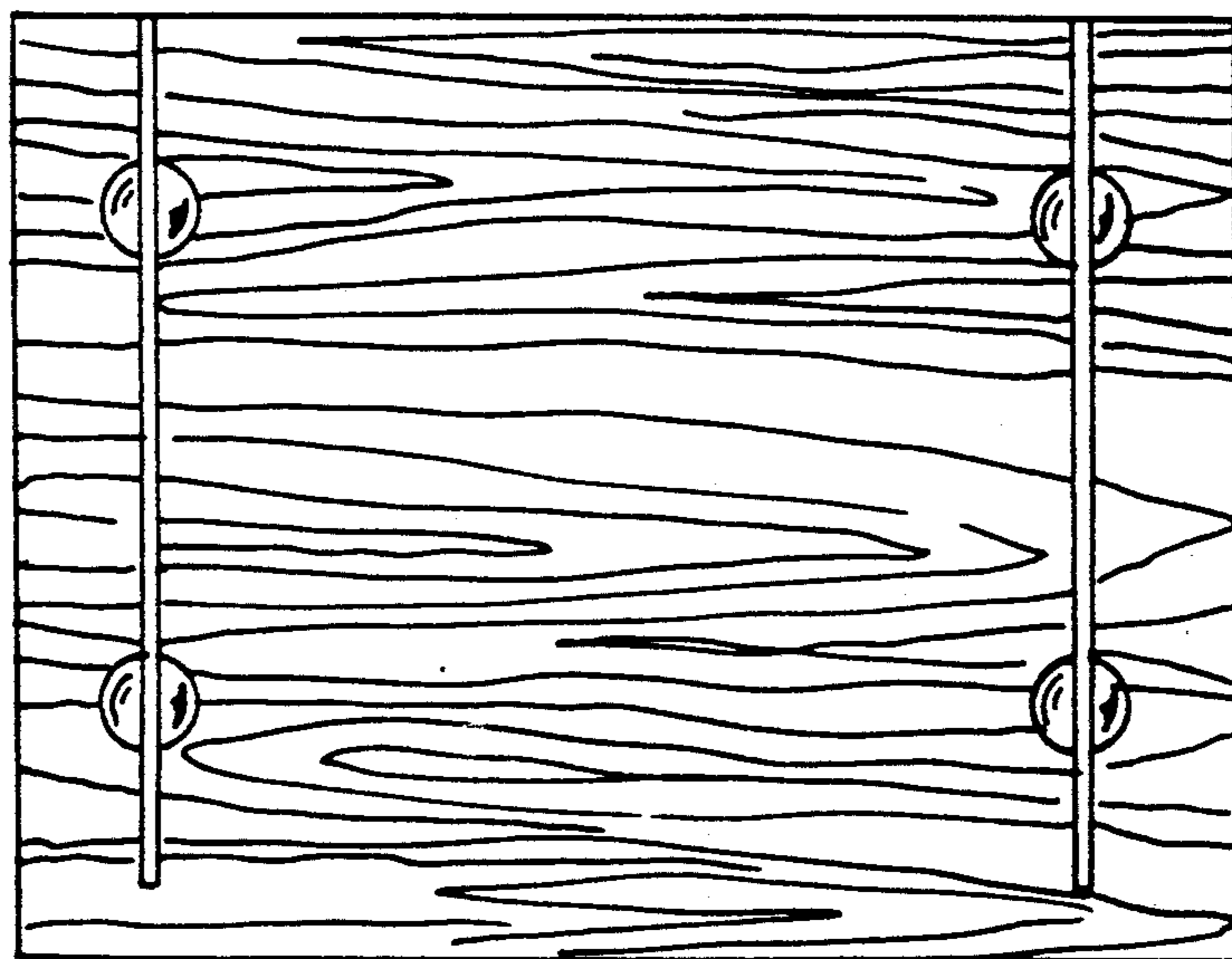


FIG. 3