

[54] **COMBINED BOOK END BRACKET AND SHELF ASSEMBLY**

[75] Inventors: **William E. Stumpf**, Minneapolis; **Casey L. Carlson**, Edina, both of Minn.; **Ricahrd S. Knape**, Grand Rapids, Mich.

[73] Assignee: **Knape & Vogt Manufacturing Company**, Grand Rapids, Mich.

[\*\*] Term: **14 Years**

[21] Appl. No.: **380,648**

[22] Filed: **Jul. 14, 1989**

[52] U.S. Cl. .... **D6/574**

[58] Field of Search ..... **D6/567, 572, 574, 555, D6/511; 108/149; 211/86-88, 90, 126, 134; 248/251**

[56] **References Cited**

**U.S. PATENT DOCUMENTS**

D. 203,511	1/1966	Gingher .....	D6/572
D. 235,951	7/1975	del Castillo .....	D6/555
D. 242,513	11/1976	Schweitzer .....	D6/572
D. 264,159	5/1982	Bennett et al. ....	D6/555
D. 301,424	6/1989	Beirise et al. ....	D6/574
D. 302,240	7/1989	Zell .....	D6/567 X
1,540,677	6/1925	Balmer .....	D6/511 X
1,723,408	8/1929	Chamberlain et al. ....	D6/511 X
3,556,306	1/1971	Shen .....	211/90
4,669,692	6/1987	Mastrodicasa .....	211/134 X
4,898,355	2/1990	Steinway .....	248/251 X

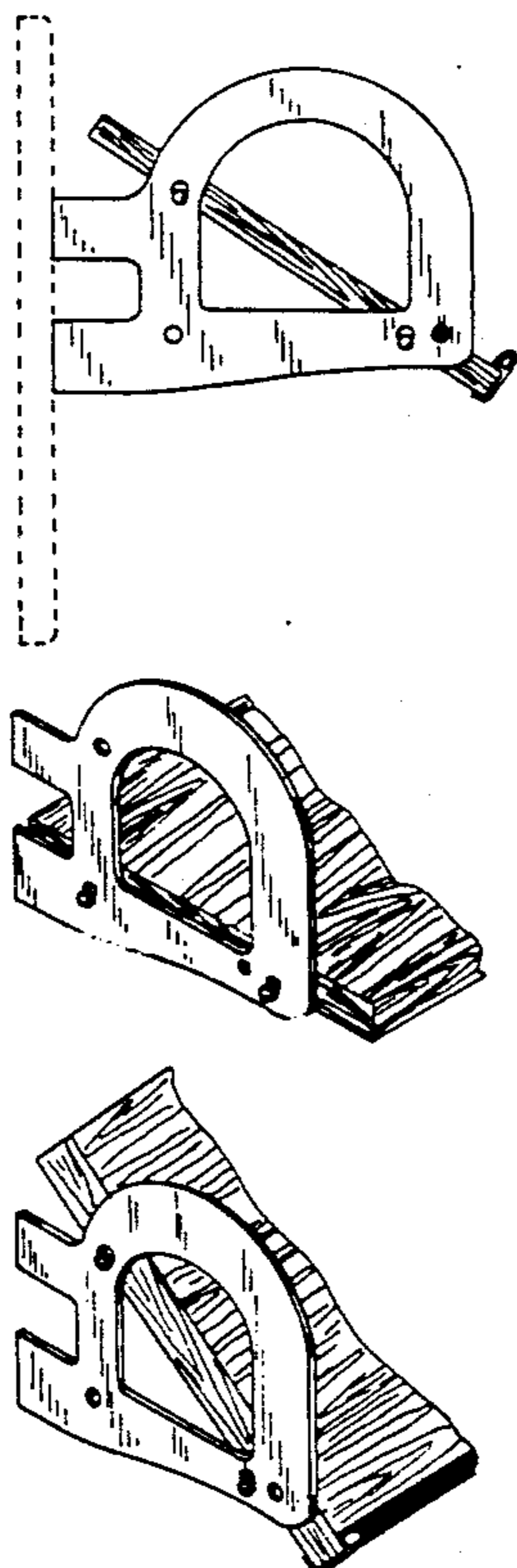
*Primary Examiner*—Brian N. Vinson  
*Attorney, Agent, or Firm*—Price, Heneveld, Cooper, DeWitt & Litton

[57] **CLAIM**

The ornamental design for a combined book end bracket and shelf assembly, as shown and described.

**DESCRIPTION**

FIG. 1 is a left side elevational view of a combined book end bracket and shelf assembly showing our new design, the right side being a mirror image of that shown; FIG. 2 is a front elevational view thereof; FIG. 3 is a top plan view thereof; FIG. 4 is a bottom plan view thereof; FIG. 5 is a rear elevational view thereof; FIG. 6 is a left side elevational view of an alternate embodiment thereof, the right side being a mirror image of that shown; FIG. 7 is a front elevational view of the embodiment of FIG. 6; FIG. 8 is a top plan view of the embodiment of FIG. 6; FIG. 9 is a bottom plan view of the embodiment of FIG. 6; FIG. 10 is a rear elevational view of the embodiment of FIG. 6; FIG. 11 is a fragmentary top, front, and left side perspective view thereof; and FIG. 12 is a fragmentary, top, front, and left side perspective view of the embodiment of FIG. 6. The broken-line depiction of shelf standards in the views is for illustrative purposes only and forms no part of the claimed design.



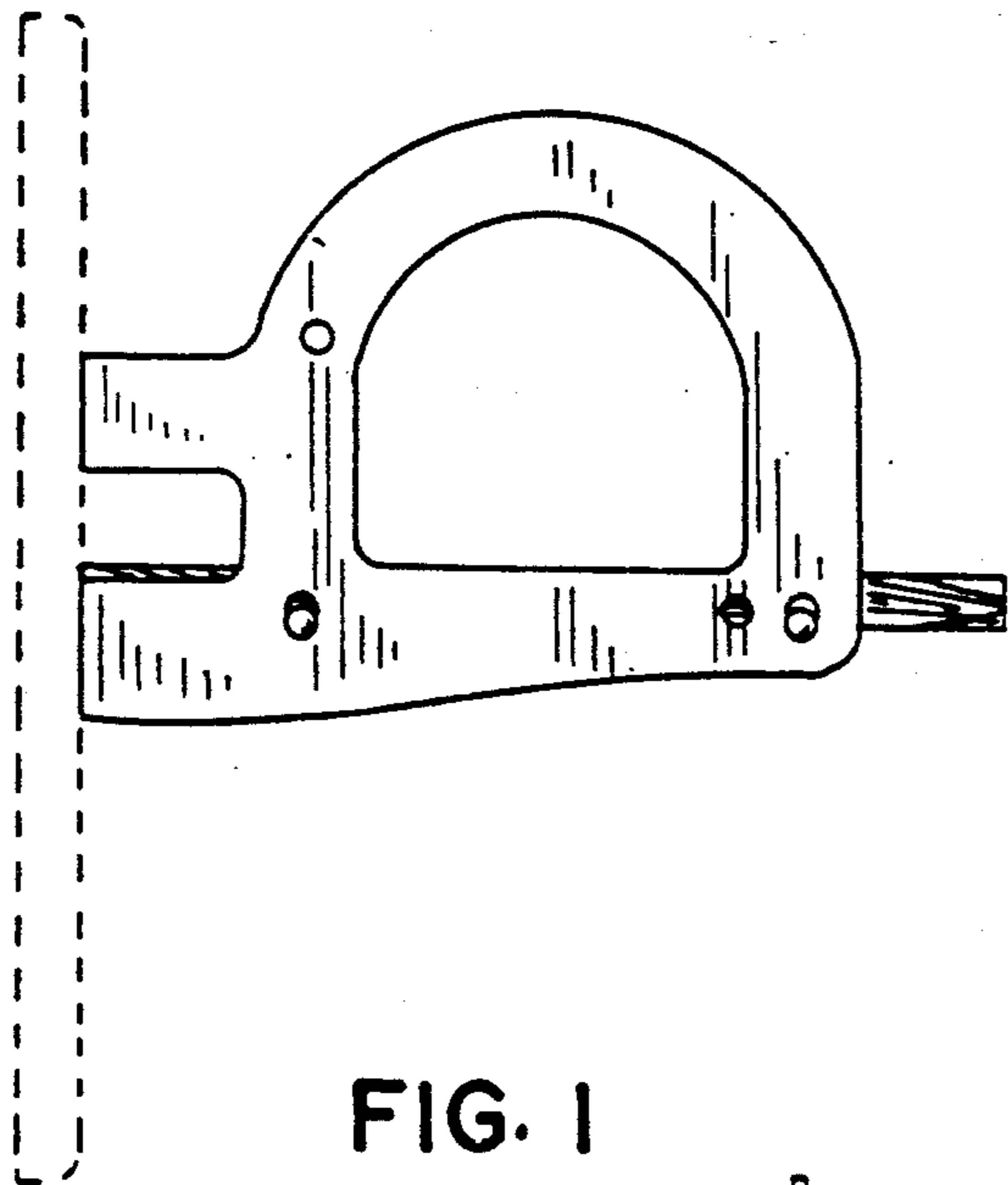


FIG. 1

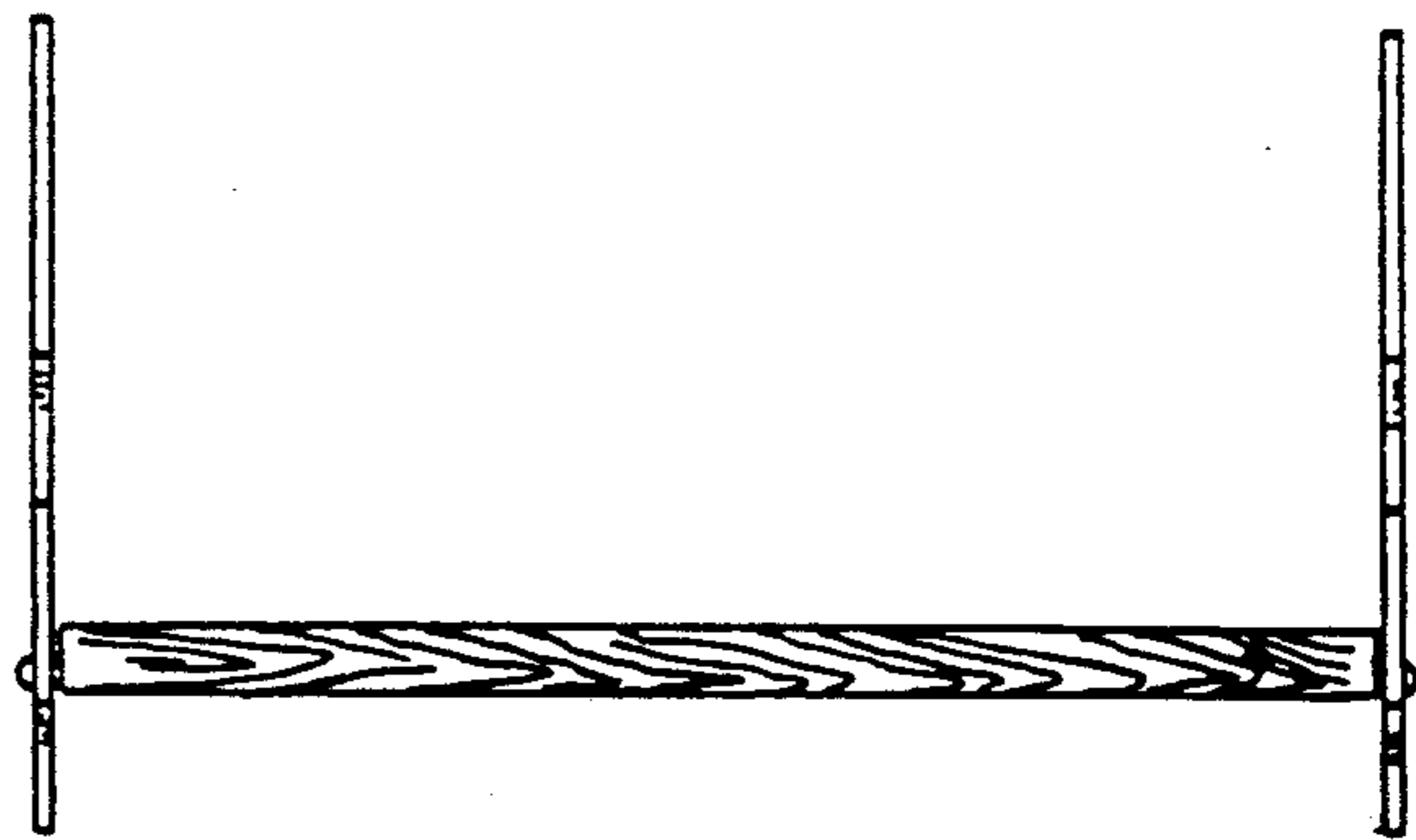


FIG. 5

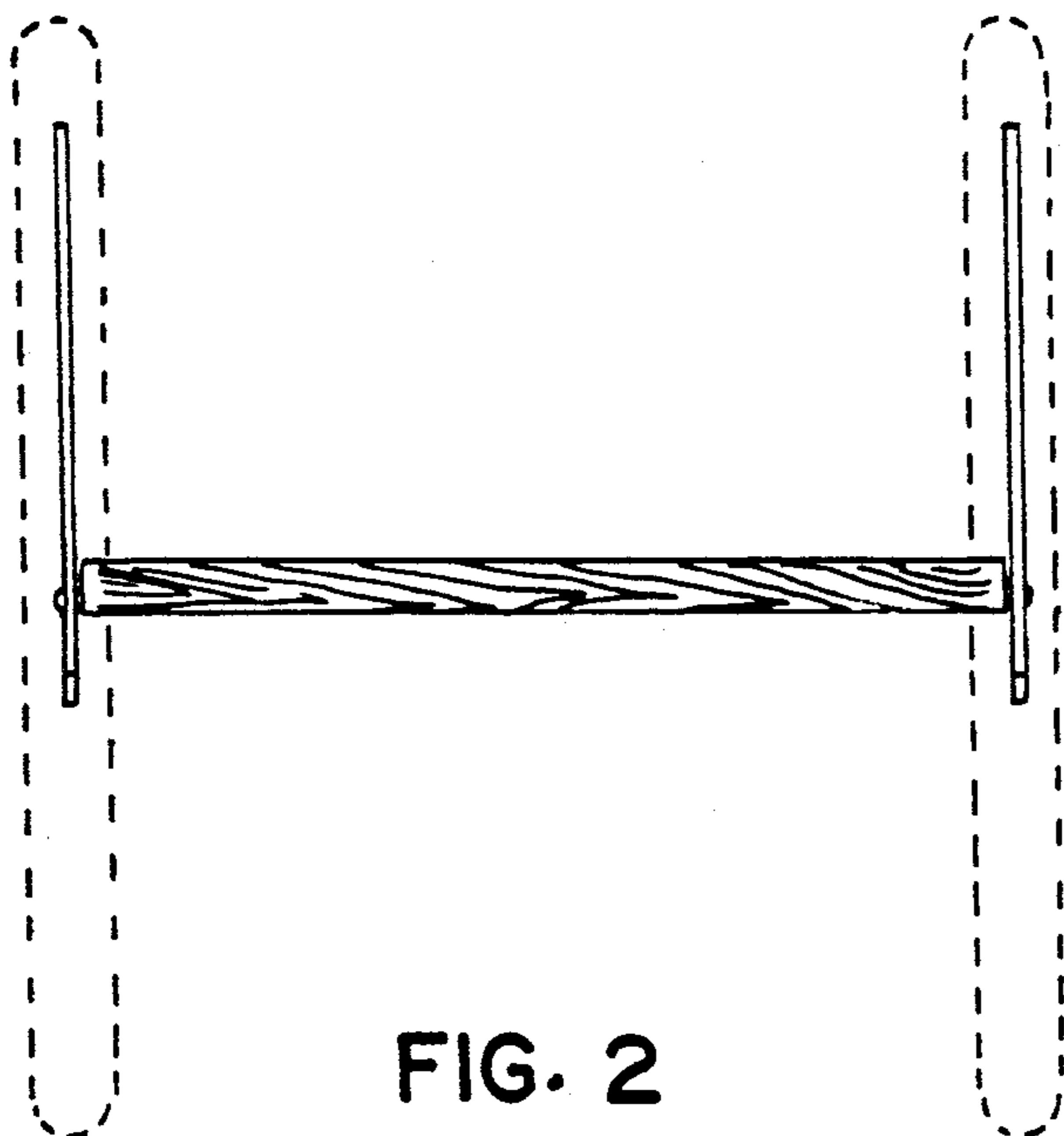


FIG. 2

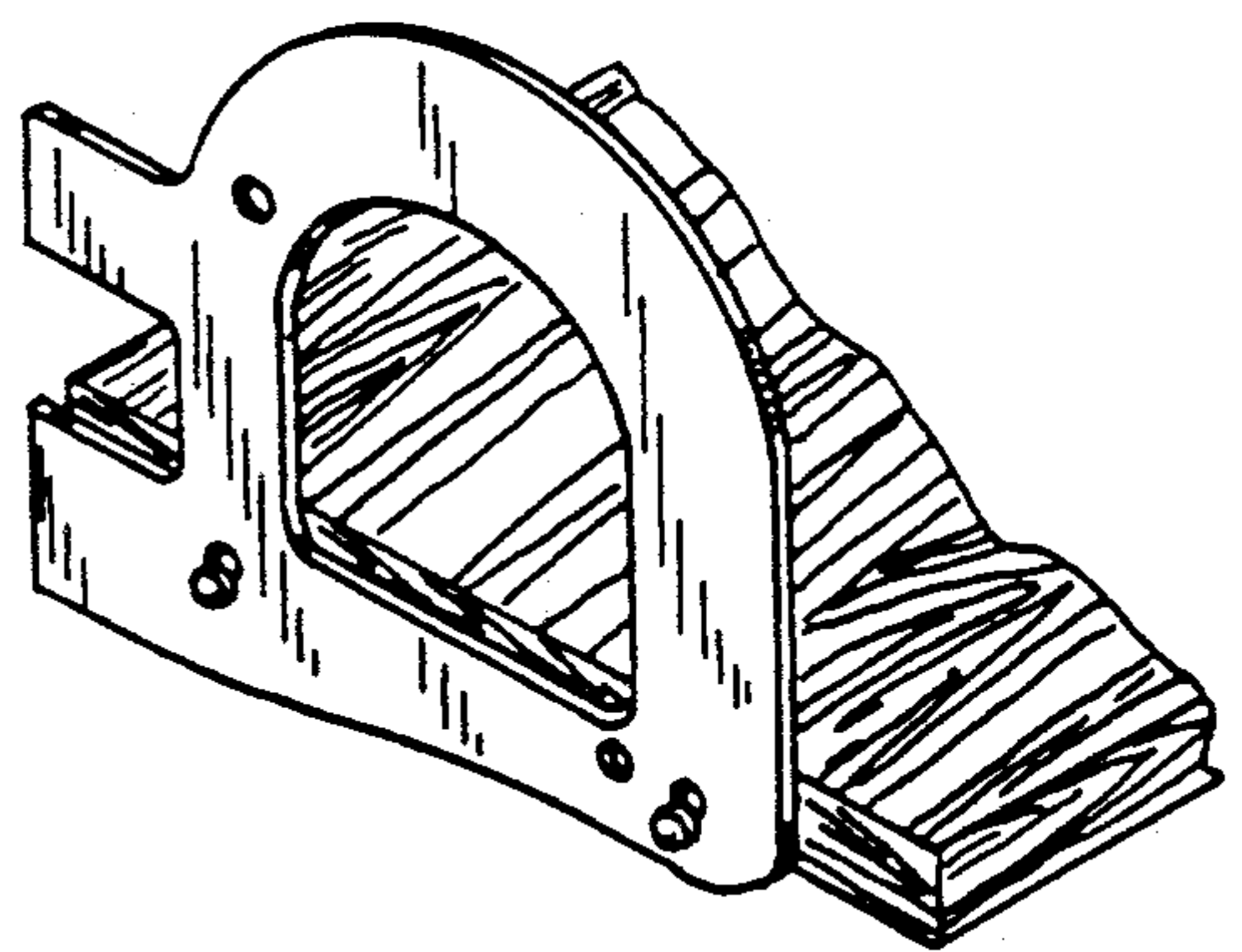


FIG. 11

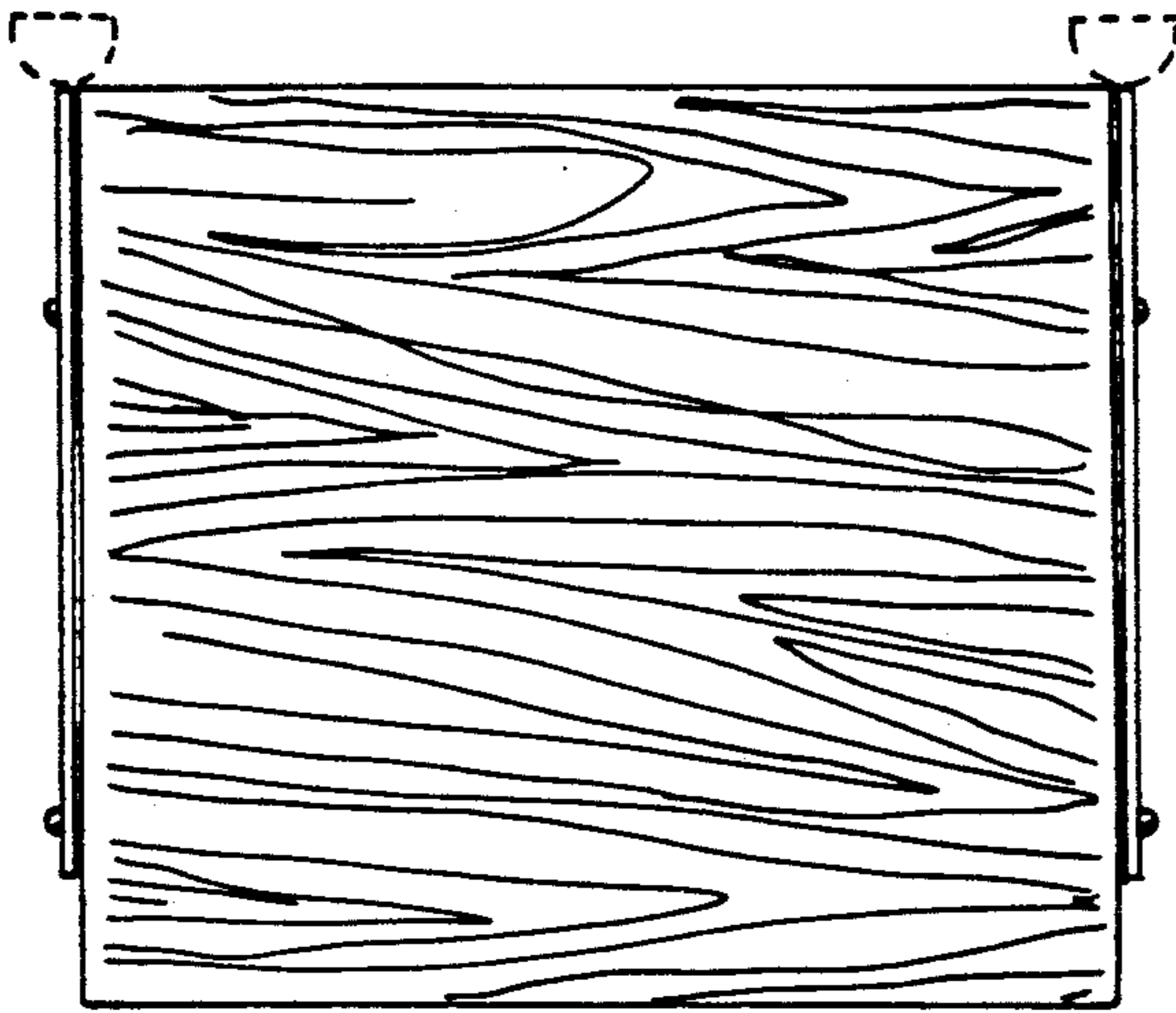


FIG. 3

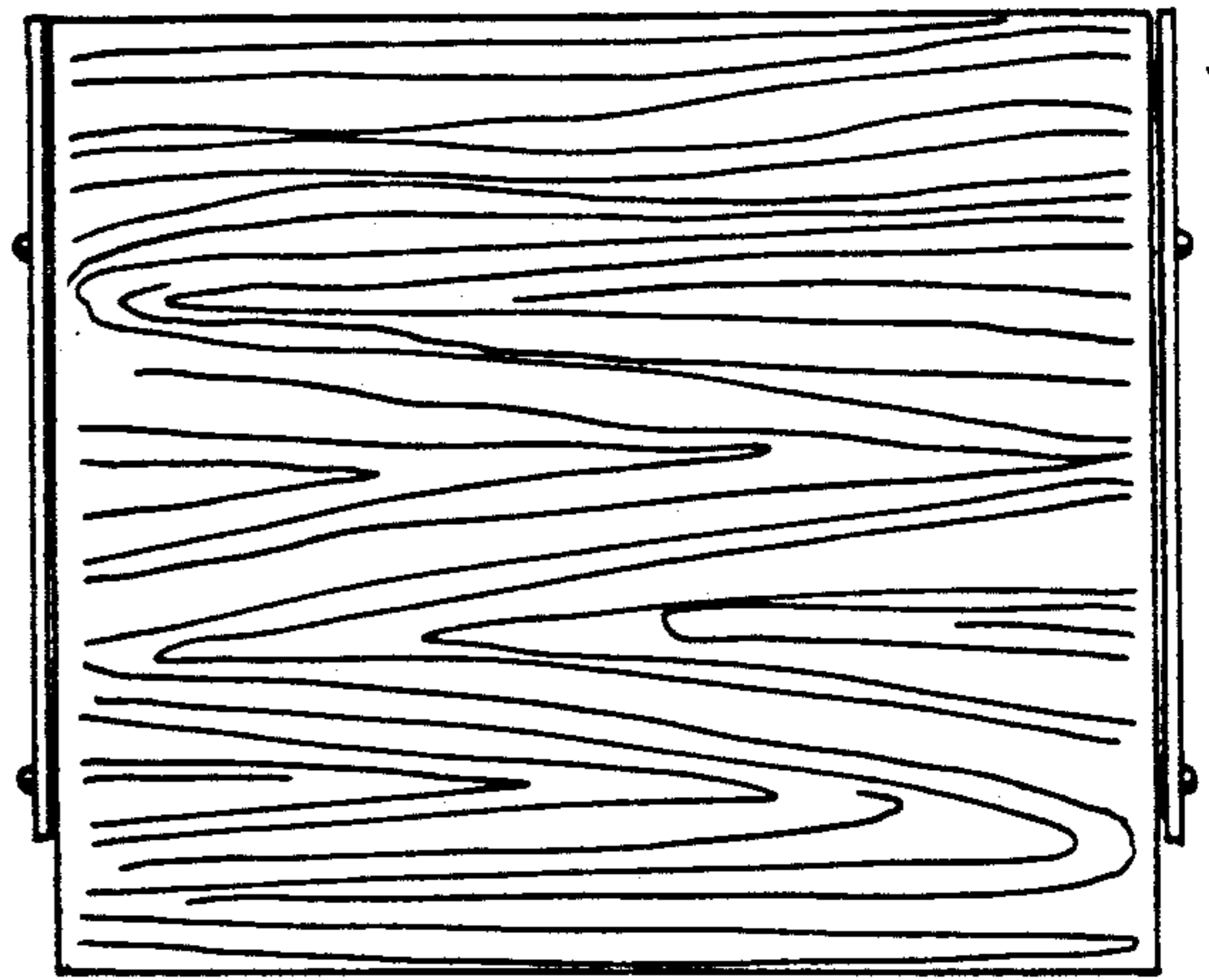


FIG. 4

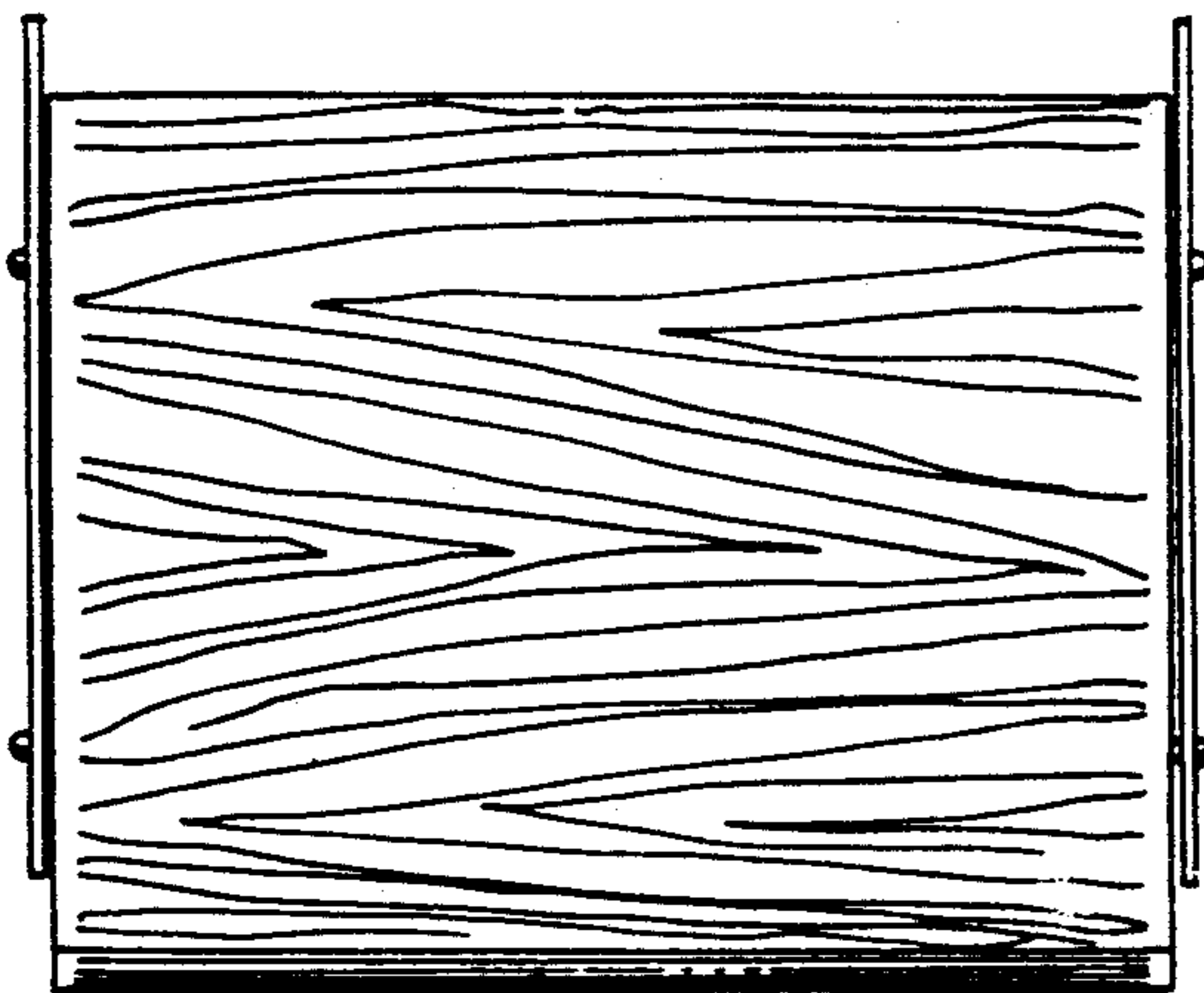


FIG. 8

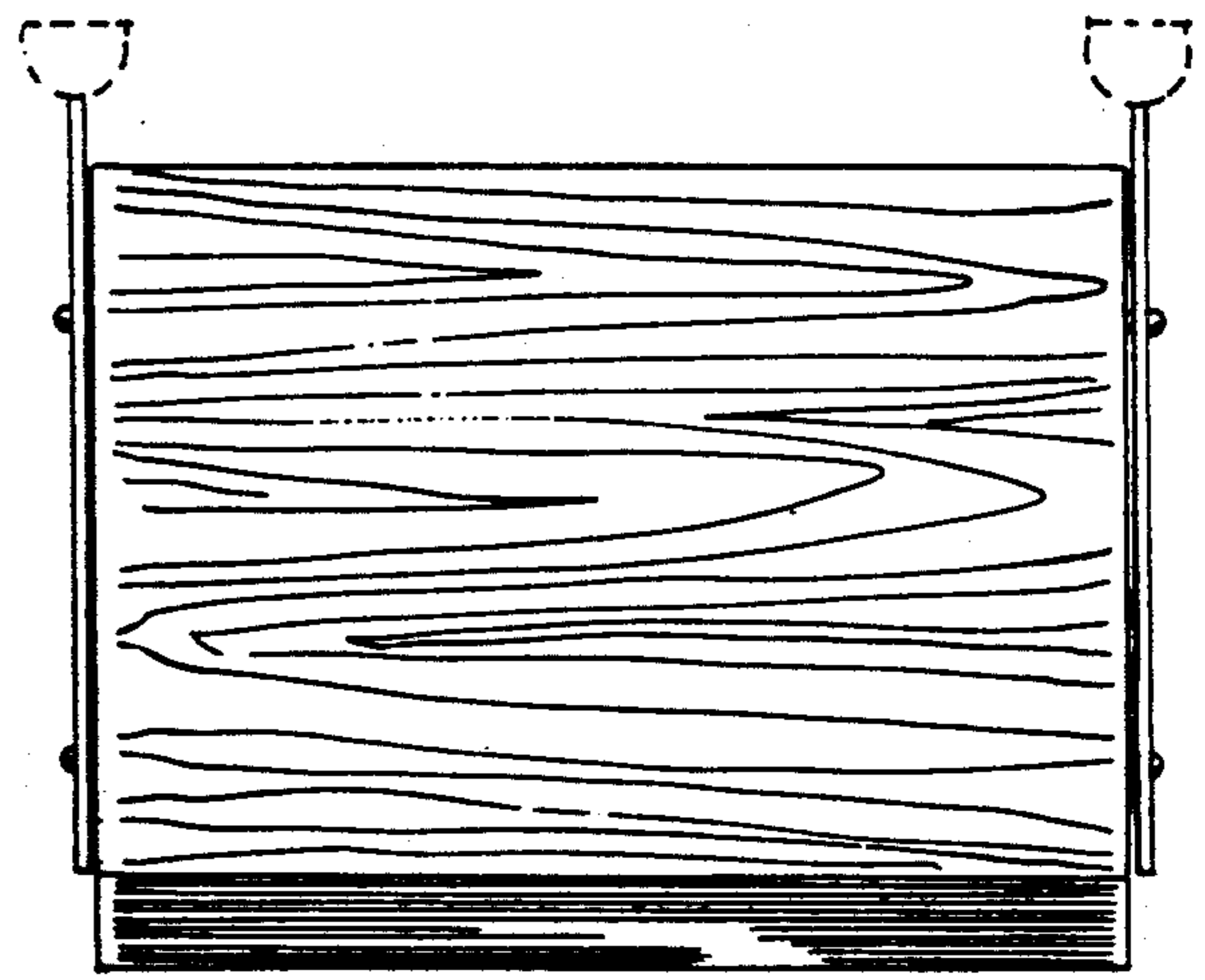


FIG. 9



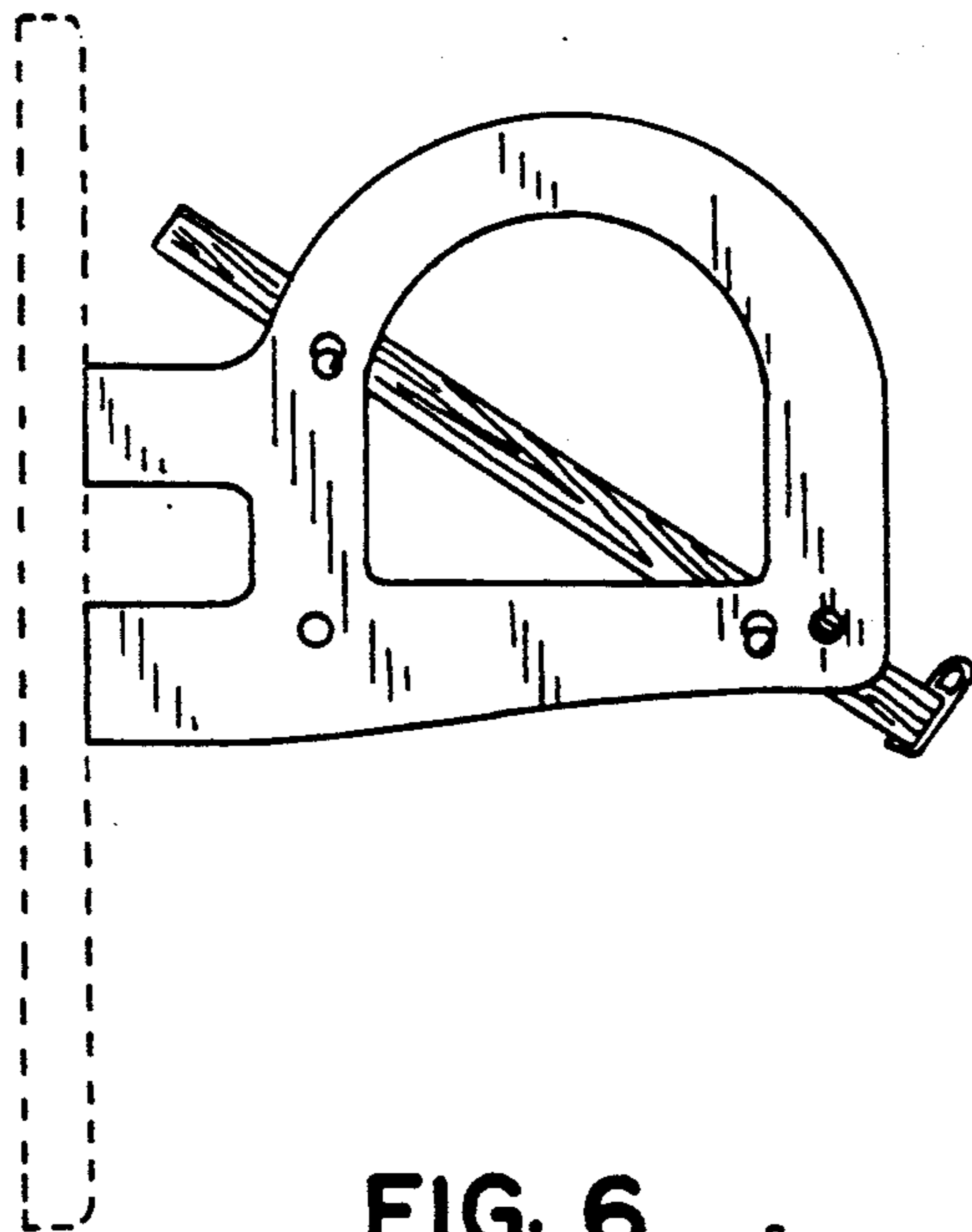


FIG. 6

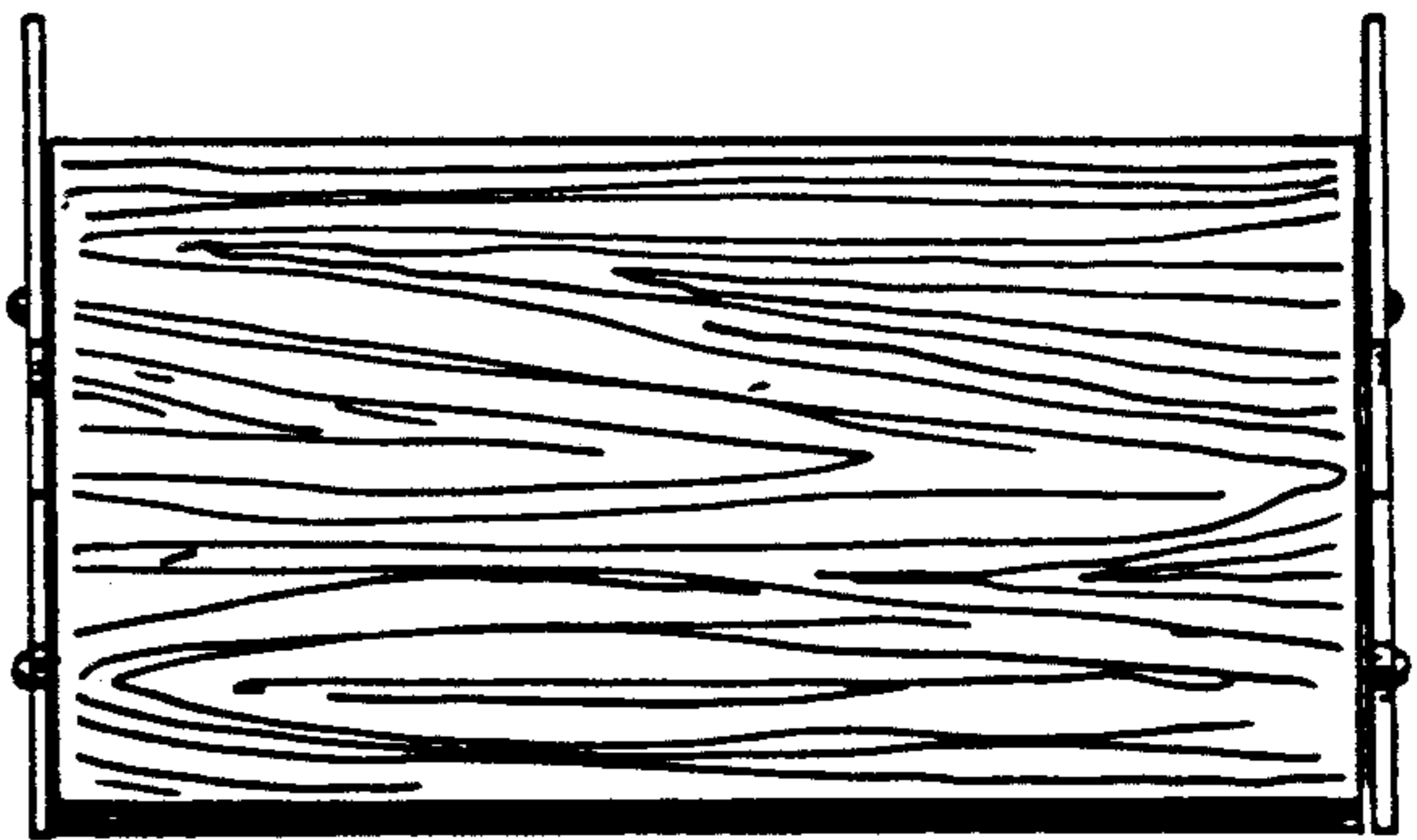


FIG. 10

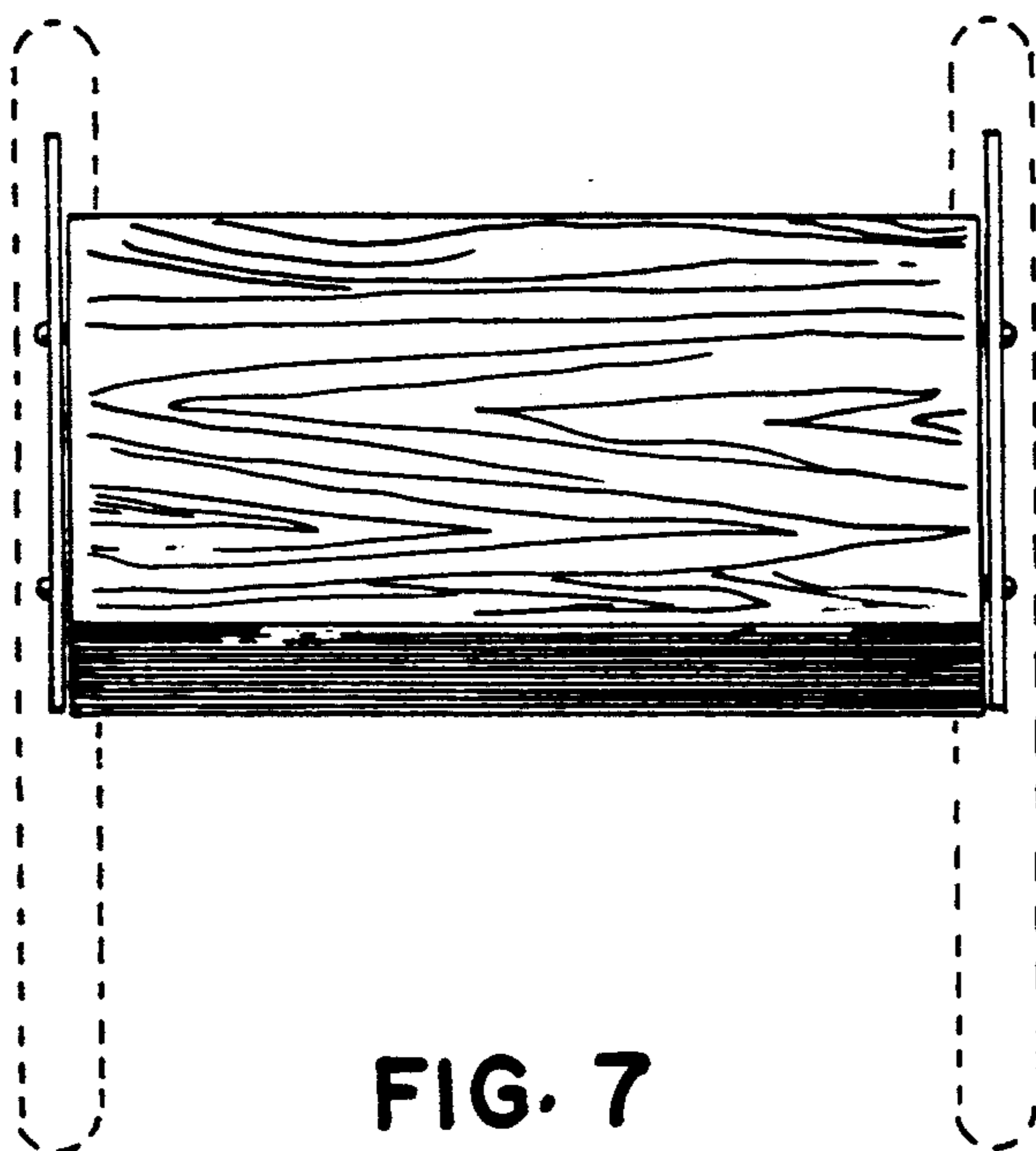


FIG. 7

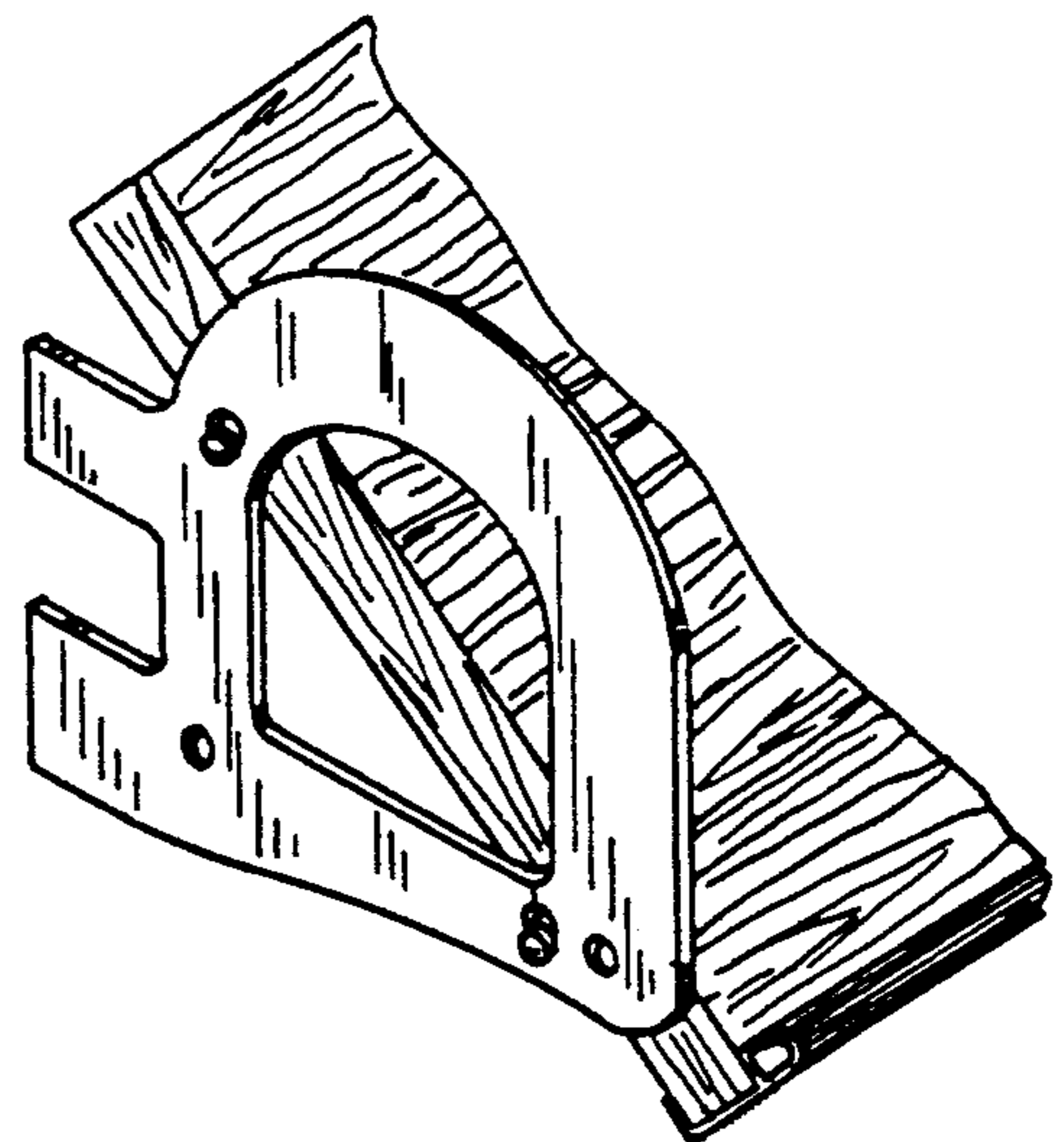


FIG. 12