

[54] COMBINED BOOK END BRACKET AND SHELF ASSEMBLY

[75] Inventors: William E. Stumpf, Minneapolis; Casey L. Carlson, Edina, both of Minn.; Richard S. Knape, Grand Rapids, Mich.

[73] Assignee: Knape & Vogt Manufacturing Company, Grand Rapids, Mich.

[\*\*] Term: 14 Years

[21] Appl. No.: 380,646

[22] Filed: Jul. 14, 1989

[52] U.S. Cl. .... D6/574

[58] Field of Search ..... D6/567, 572, 574, 555, D6/511; 108/149; 211/86-87, 88, 90, 126, 134; 248/251

[56] References Cited

U.S. PATENT DOCUMENTS

- D. 203,511 1/1966 Gingher ..... D6/572
- D. 235,951 7/1975 del Castillo ..... D6/555
- D. 242,513 11/1976 Schweitzer ..... D6/572
- D. 264,159 5/1982 Bennett et al. .... D6/555
- D. 301,424 6/1989 Beirise et al. .... D6/574

- D. 302,240 7/1989 Zell ..... D6/567 X
- 1,540,677 6/1925 Balmer ..... D6/511 X
- 1,723,408 8/1929 Chamberlain et al. .... D6/511 X
- 3,556,306 1/1971 Shell ..... 211/90
- 4,669,692 6/1987 Mastrodicasa ..... 211/134 X
- 4,898,355 2/1990 Steinway ..... 248/251 X

Primary Examiner—Brian N. Vinson  
Attorney, Agent, or Firm—Price, Heneveld, Cooper, DeWitt & Litton

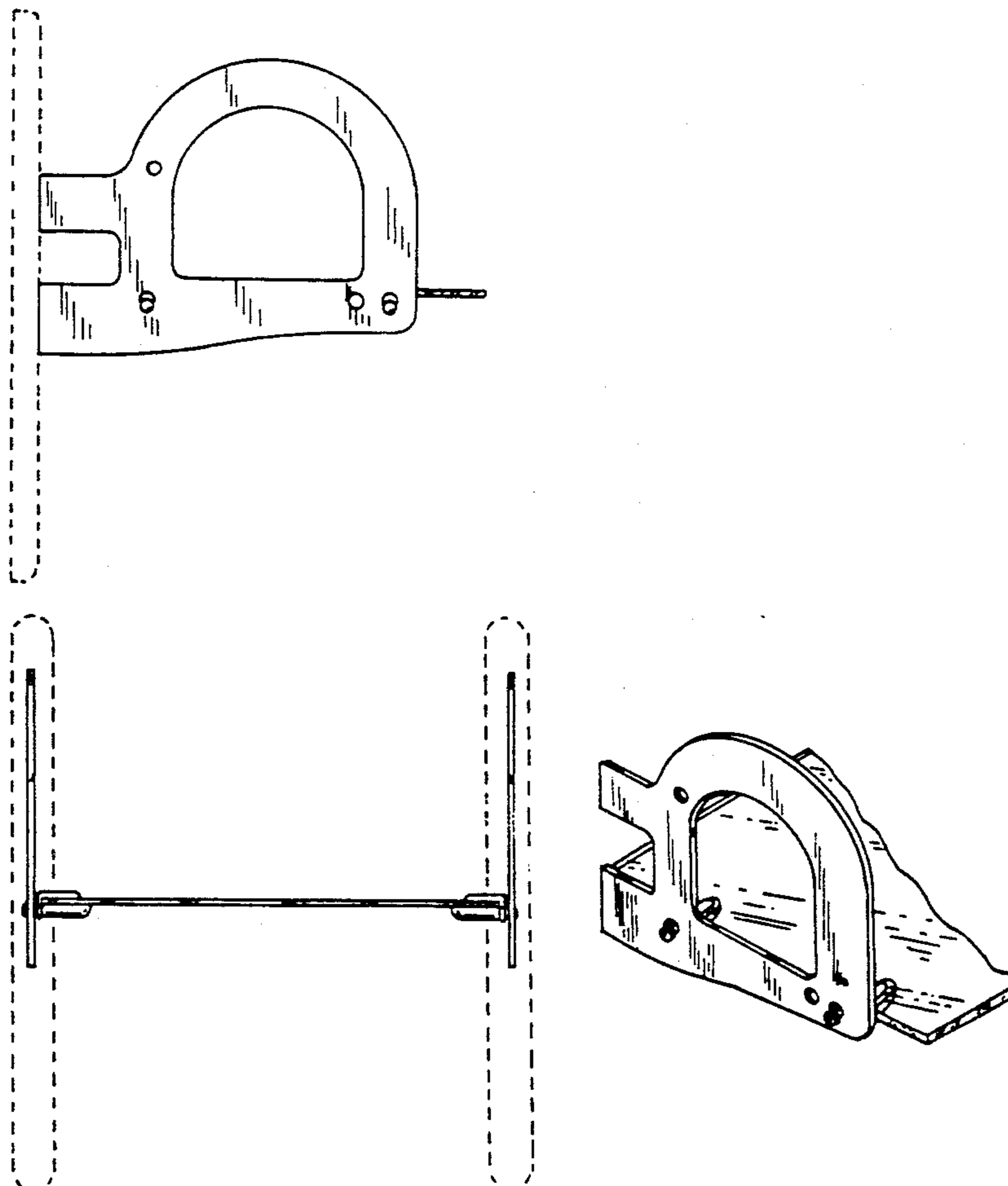
[57] CLAIM

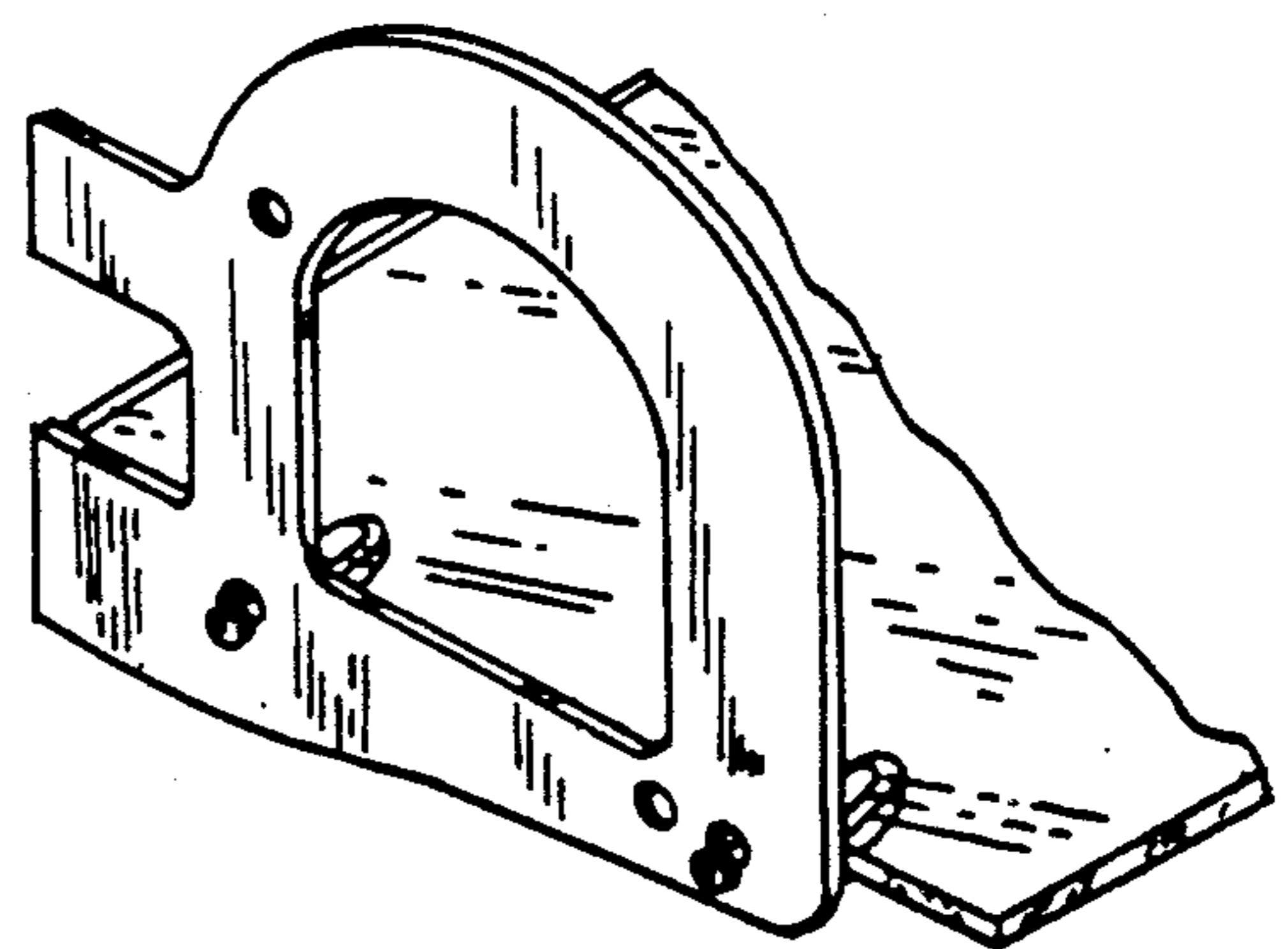
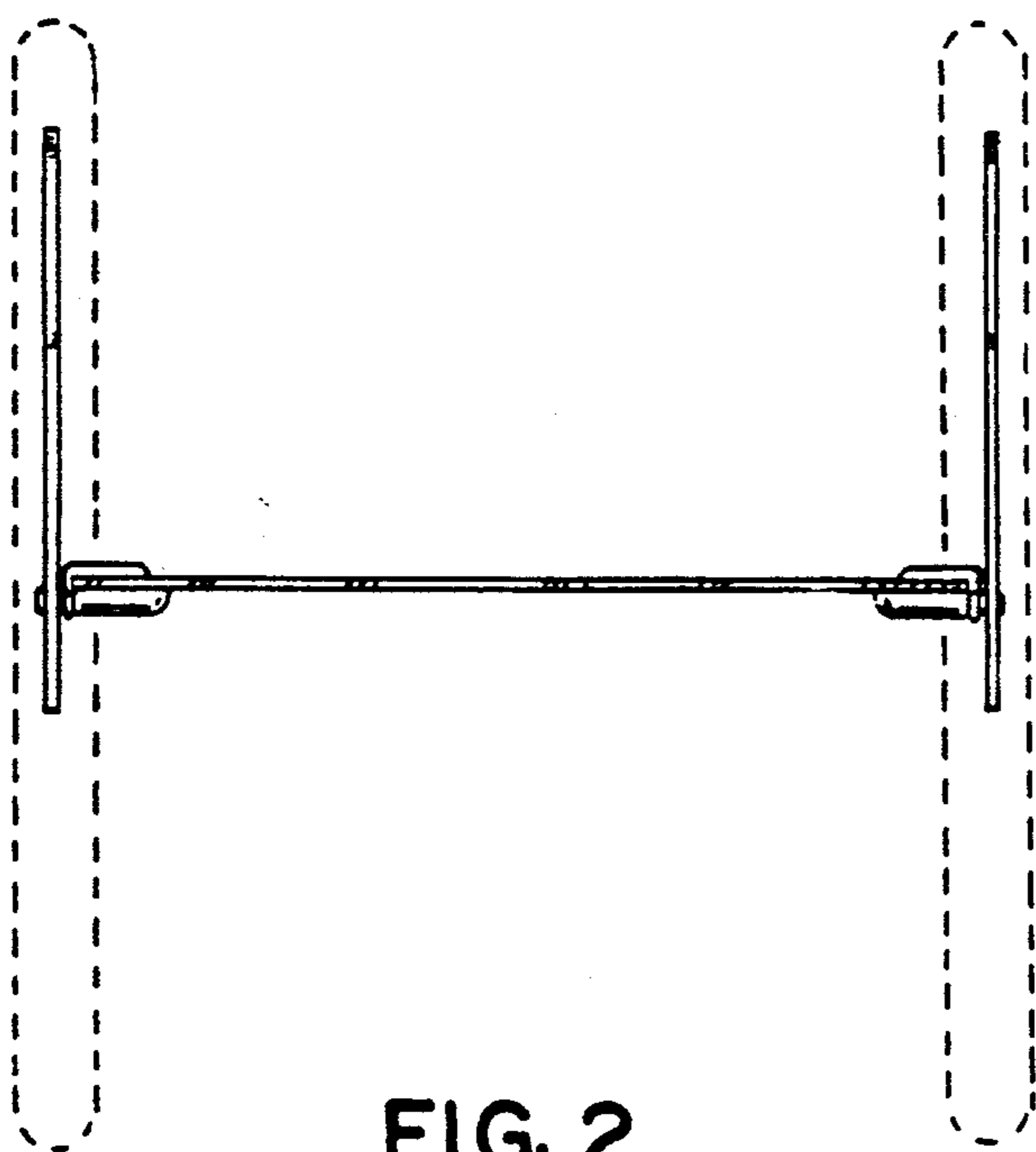
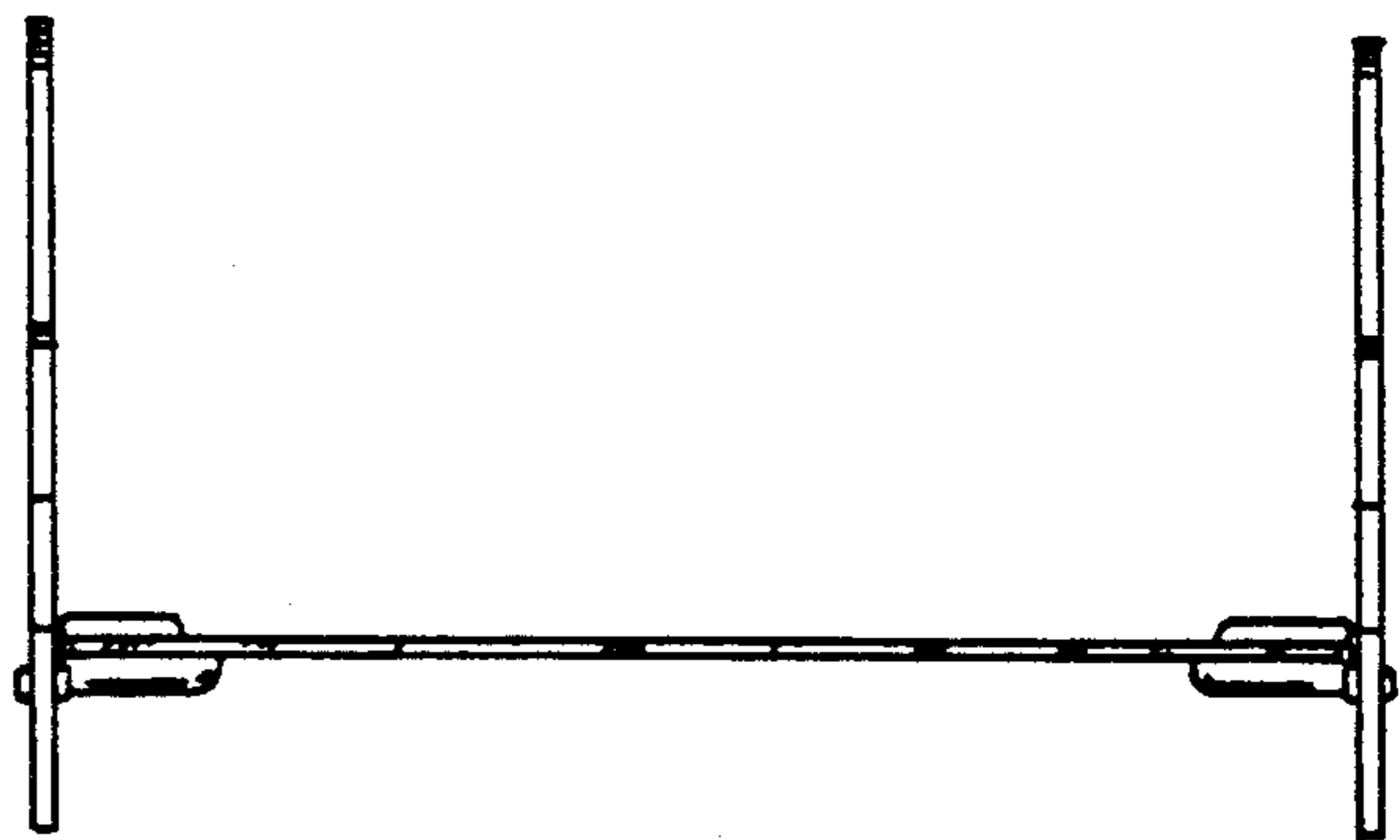
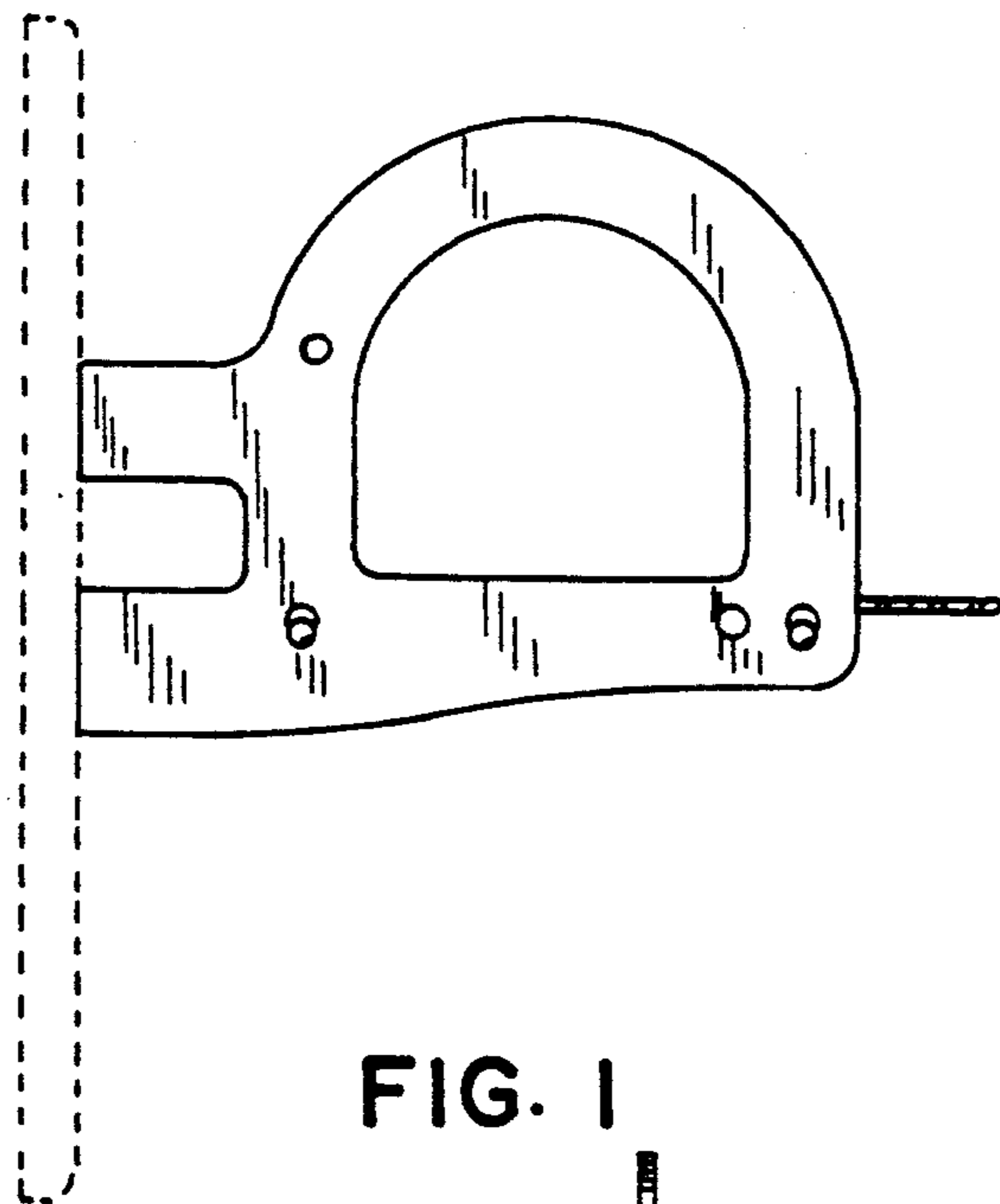
The ornamental design for a combined book end bracket and shelf assembly, as shown and described.

DESCRIPTION

FIG. 1 is a left side elevational view of a combined book end bracket and shelf assembly showing our new design, the right side being a mirror image of that shown; FIG. 2 is a front elevational view thereof; FIG. 3 is a rear elevational view thereof; FIG. 4 is a bottom plan view thereof; FIG. 5 is a top plan view thereof; and FIG. 6 is a fragmentary top, front, and left side perspective view thereof.

The broken-line depiction of shelf standards in the views is for illustrative purposes only and forms no part of the claimed design.





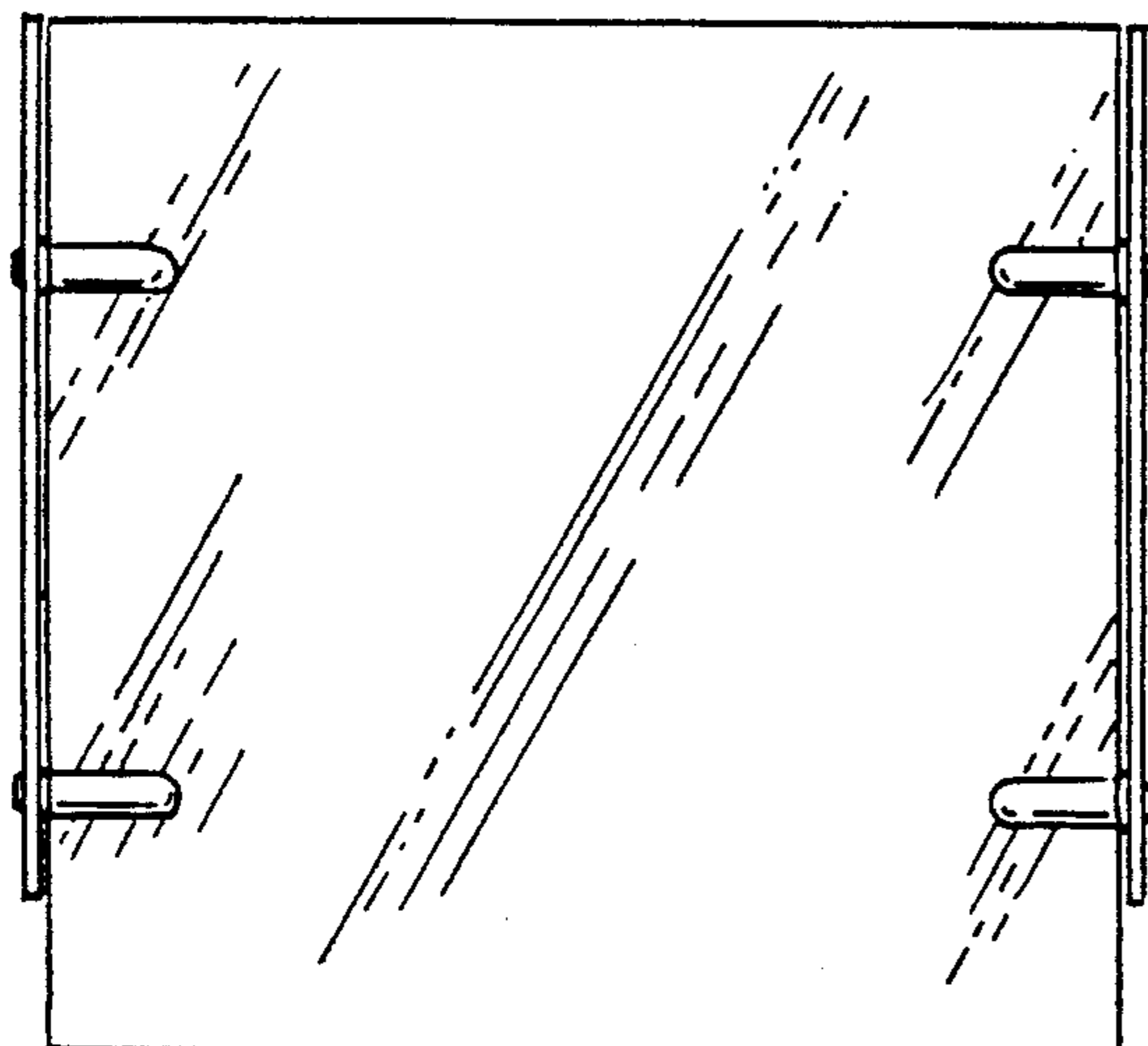


FIG. 4

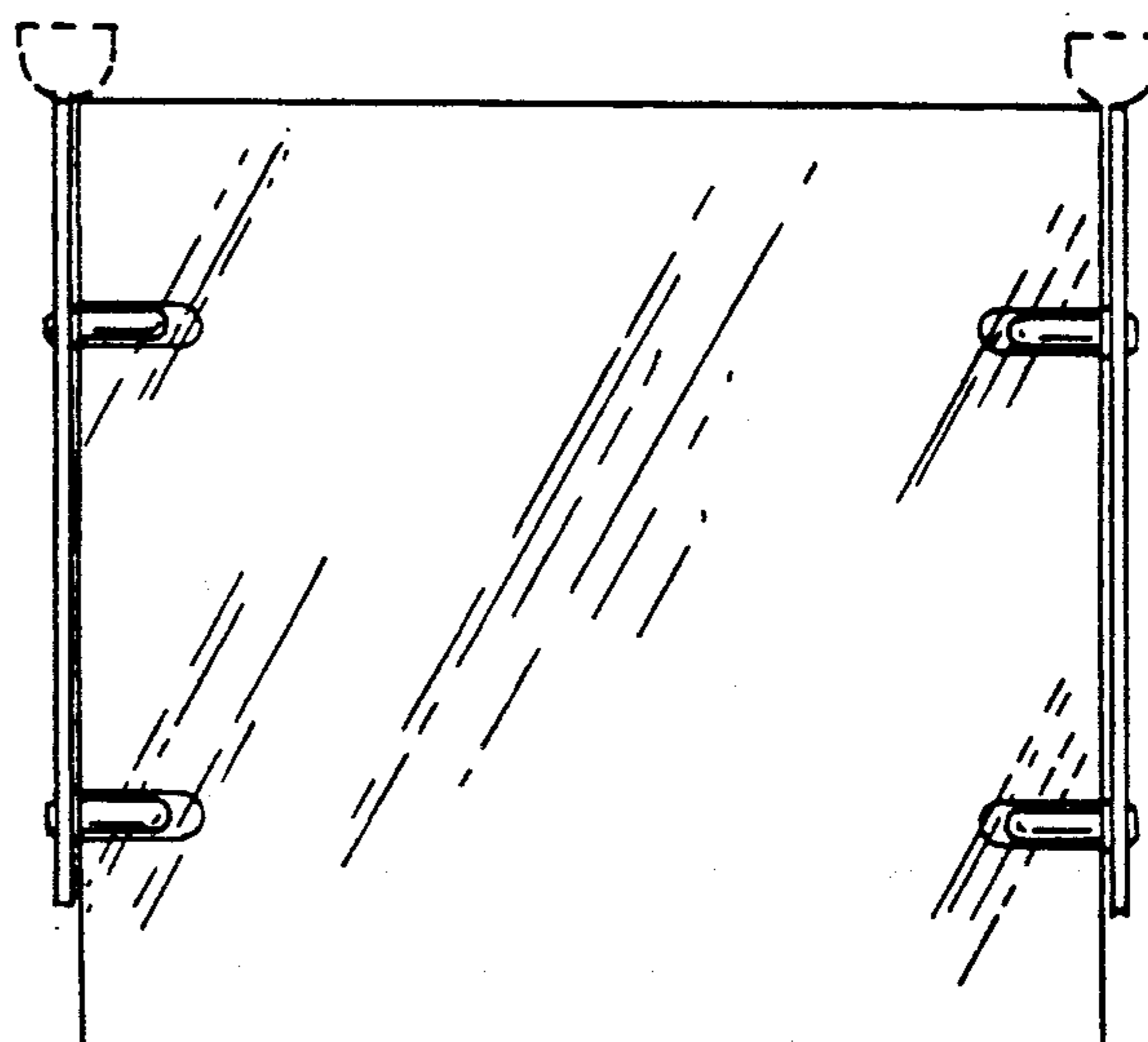


FIG. 5