

[54] LECTERN

[76] Inventor: Robert L. Rienecker, 2633 Martinez Dr., Burlingame, Calif. 94010

[\*\*] Term: 14 Years

[21] Appl. No.: 274,300

[22] Filed: Nov. 21, 1988

[52] U.S. Cl. .... D6/419

[58] Field of Search ..... D6/419, 420; 248/441.1, 248/444.1, 447.2, 448-450, 454, 459-460, 463

[56] References Cited

U.S. PATENT DOCUMENTS

D. 210,133	2/1968	Miller et al. ....	D6/419
D. 250,920	1/1979	Waters .....	D6/419
D. 285,001	8/1986	Denis et al. ....	D6/420 X
D. 285,507	9/1986	Middlemist .....	D6/419
D. 299,601	1/1989	Campbell .....	D6/420 X
3,215,482	11/1965	Litke .....	248/448 X
4,790,506	12/1988	Malinowski et al. ....	248/444.1

OTHER PUBLICATIONS

*Smith System* Jul. 6, 1971, p. A; Lectern Desk #1201 top right on page.

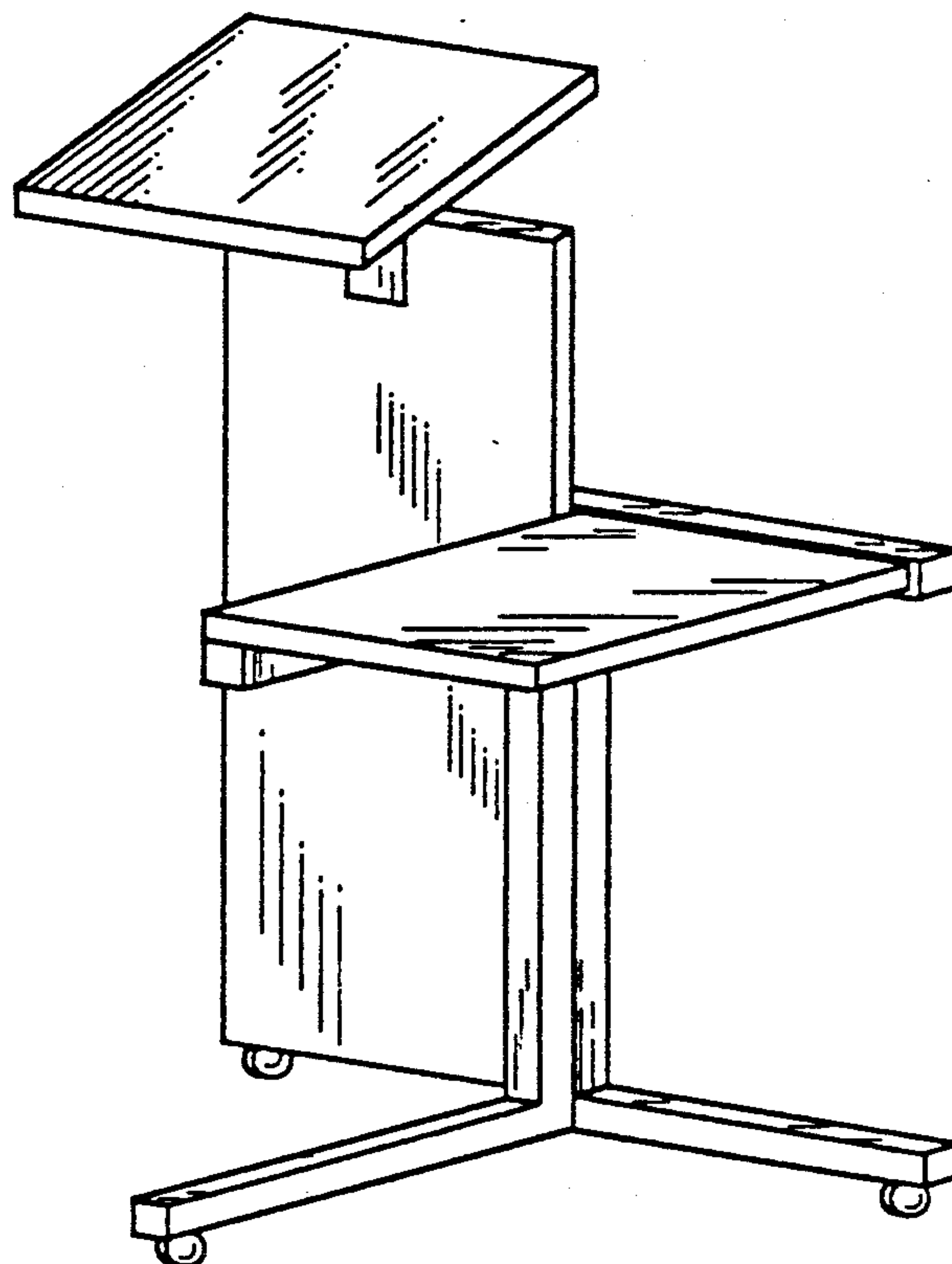
*Primary Examiner*—Carmen H. Vales-Lado  
*Attorney, Agent, or Firm*—Douglas A. Chaikin

[57] CLAIM

The ornamental design for a lectern, as shown and described.

DESCRIPTION

FIG. 1 is a front and right side perspective view of a lectern showing my new design; FIG. 2 is a front and right side perspective view of a second embodiment of the lectern shown in FIG. 1; FIG. 3 is a rear elevational view of the lectern of FIG. 1; FIG. 4 is a front elevational view of the lectern of FIG. 1; FIG. 5 is a side elevational view of a third embodiment of the lectern shown in FIG. 1; and FIG. 6 is a top plan view of the lectern of FIG. 5.



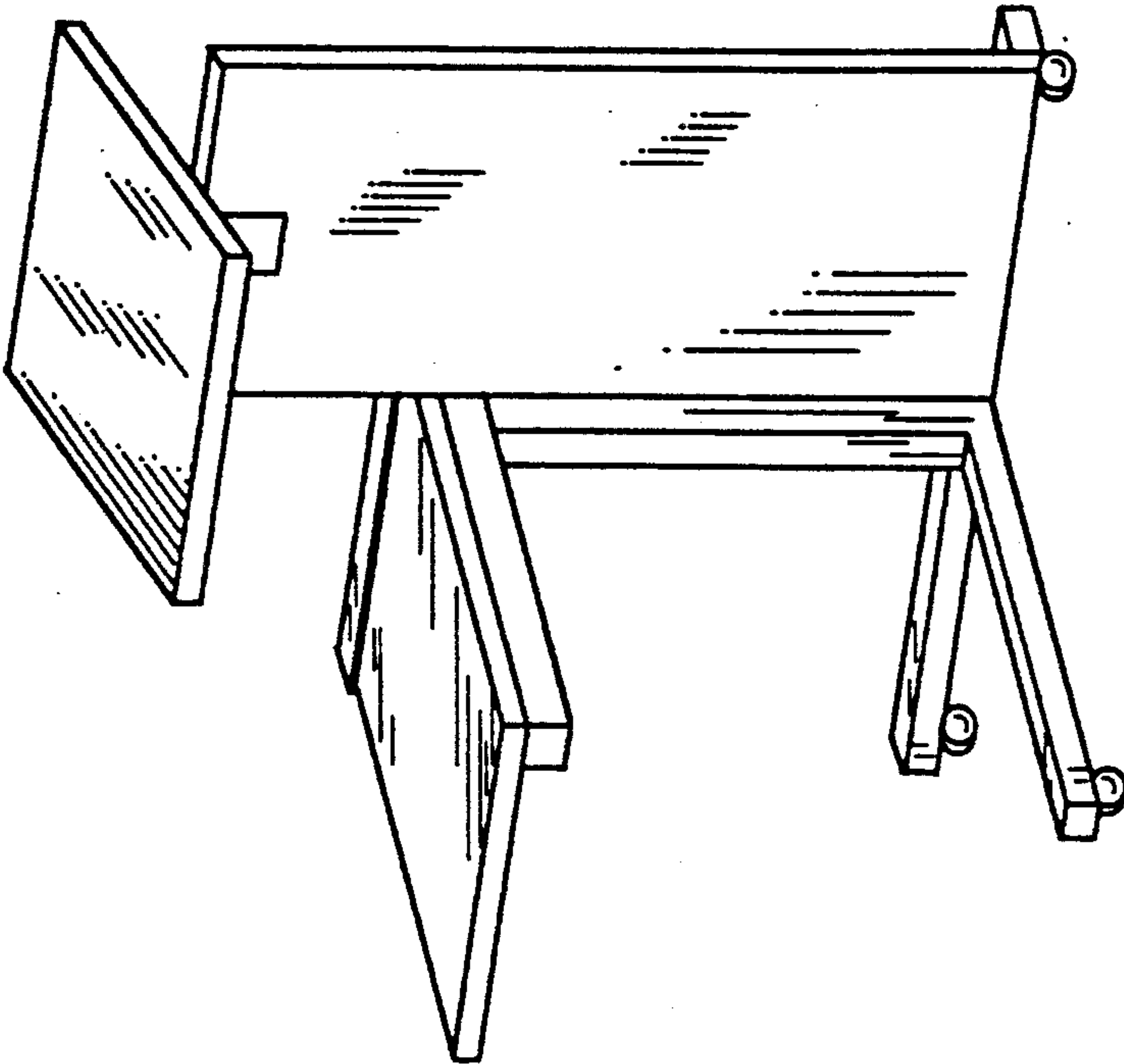


FIG. 2

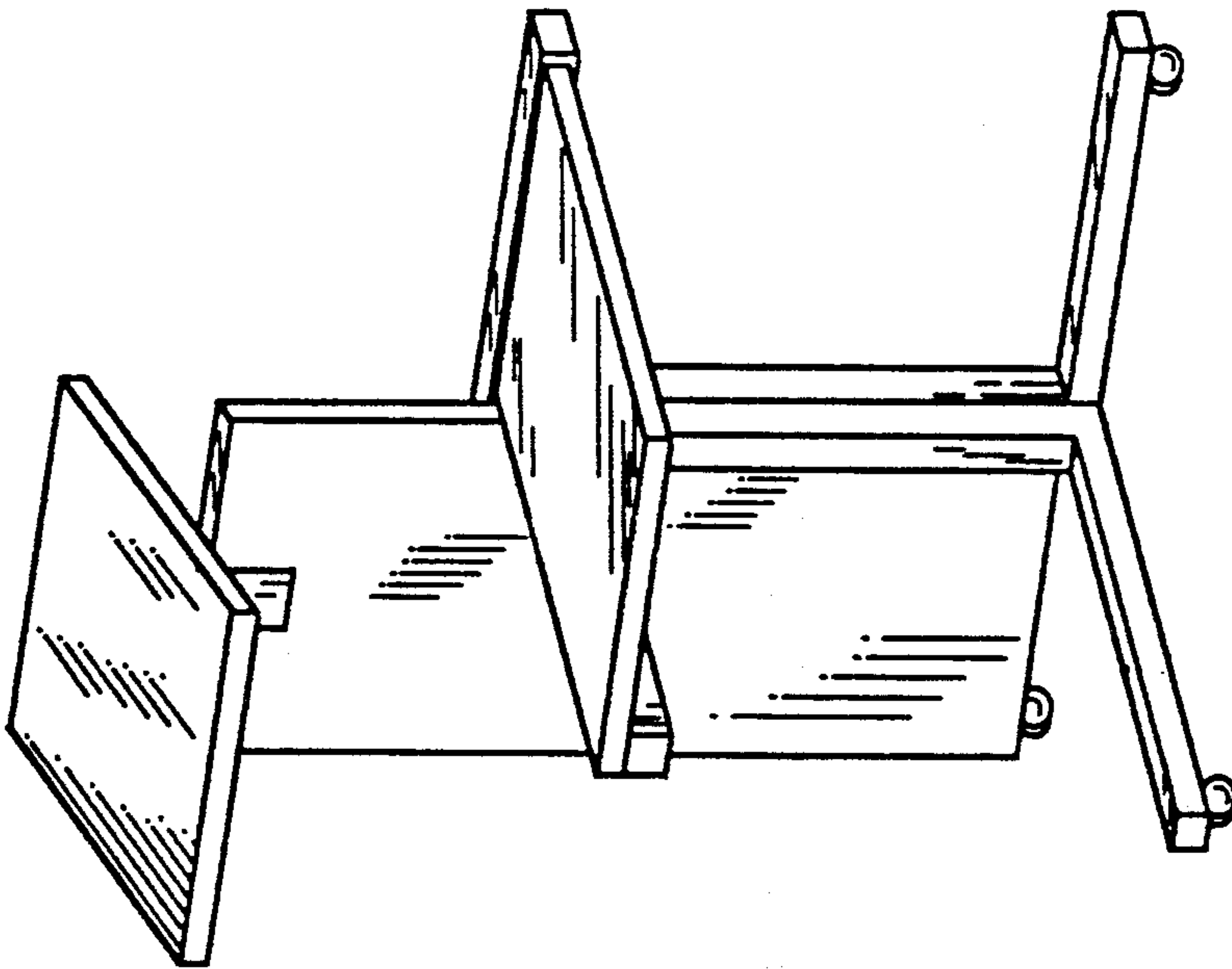


FIG. 1

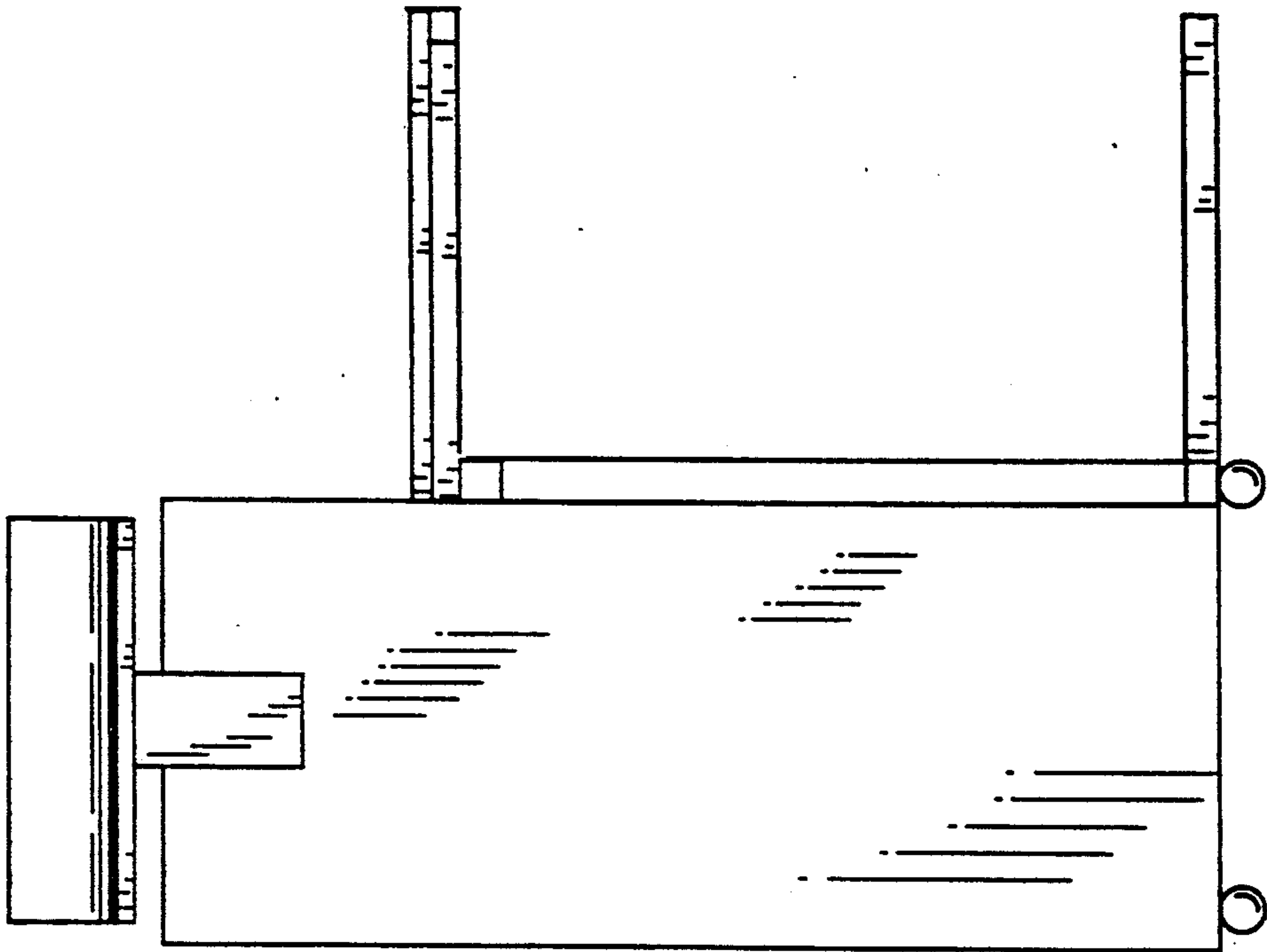


FIG. 4

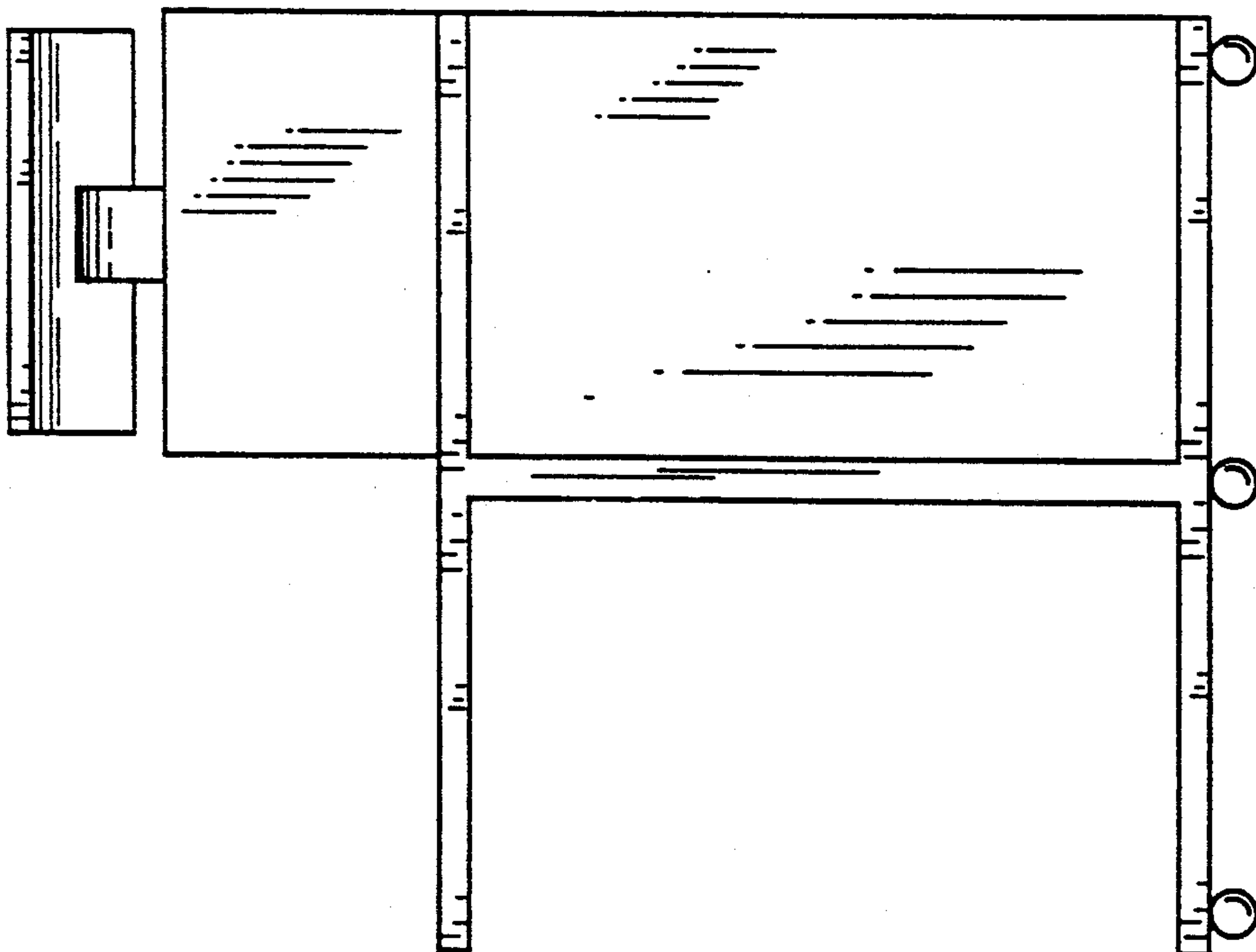


FIG. 3

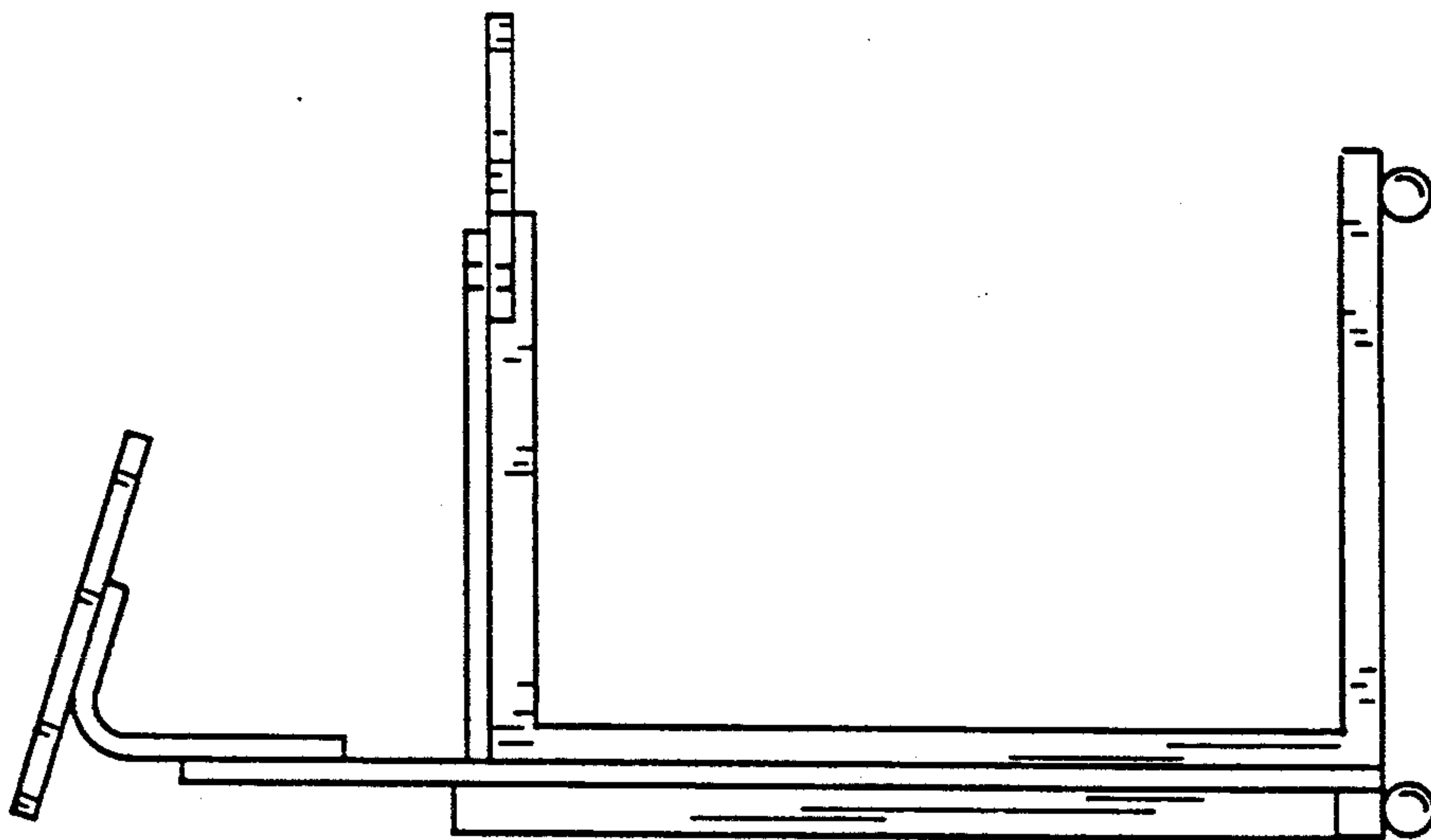


FIG. 5

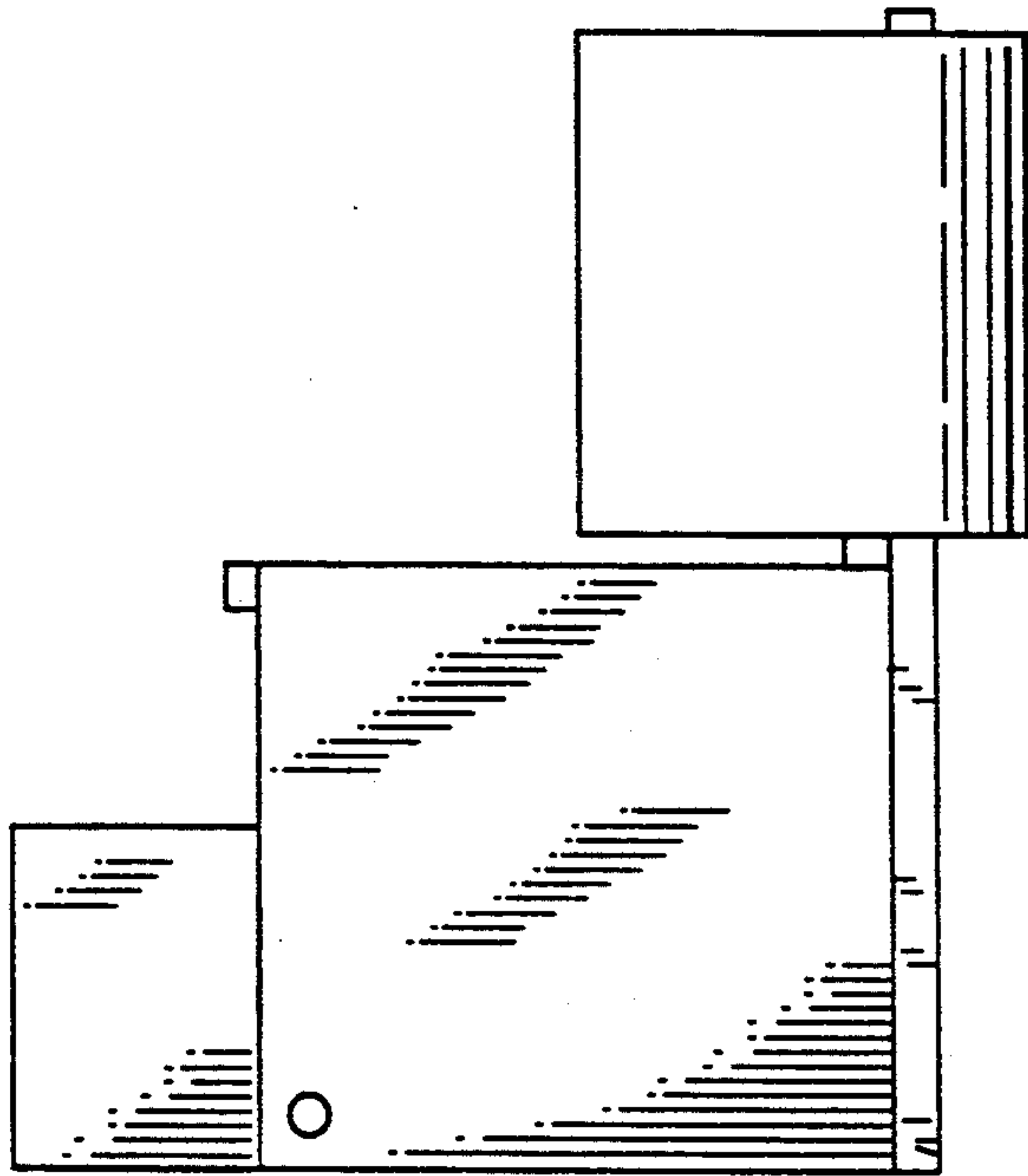


FIG. 6