

[54] WIRE SHELVING UNIT FOR CANNED GOODS

[76] Inventor: Shahriar Dardashti, 141 N. Clark Dr., Ste. 2, Los Angeles, Calif. 90048

[\*\*] Term: 14 Years

[21] Appl. No.: 286,778

[22] Filed: Dec. 20, 1988

[52] U.S. Cl. .... D6/408; D6/463

[58] Field of Search ..... D6/462, 463, 464, 465, D6/476, 467, 468, 408; D34/21, 22; 211/59.2, 74, 128, 49.1

[56] References Cited

U.S. PATENT DOCUMENTS

D. 181,322	10/1957	Streich .....	D6/408
D. 185,660	7/1959	Crookes .....	D6/408
D. 191,082	8/1961	Tigner .....	D6/408
D. 280,771	9/1985	Barnett .....	D34/22

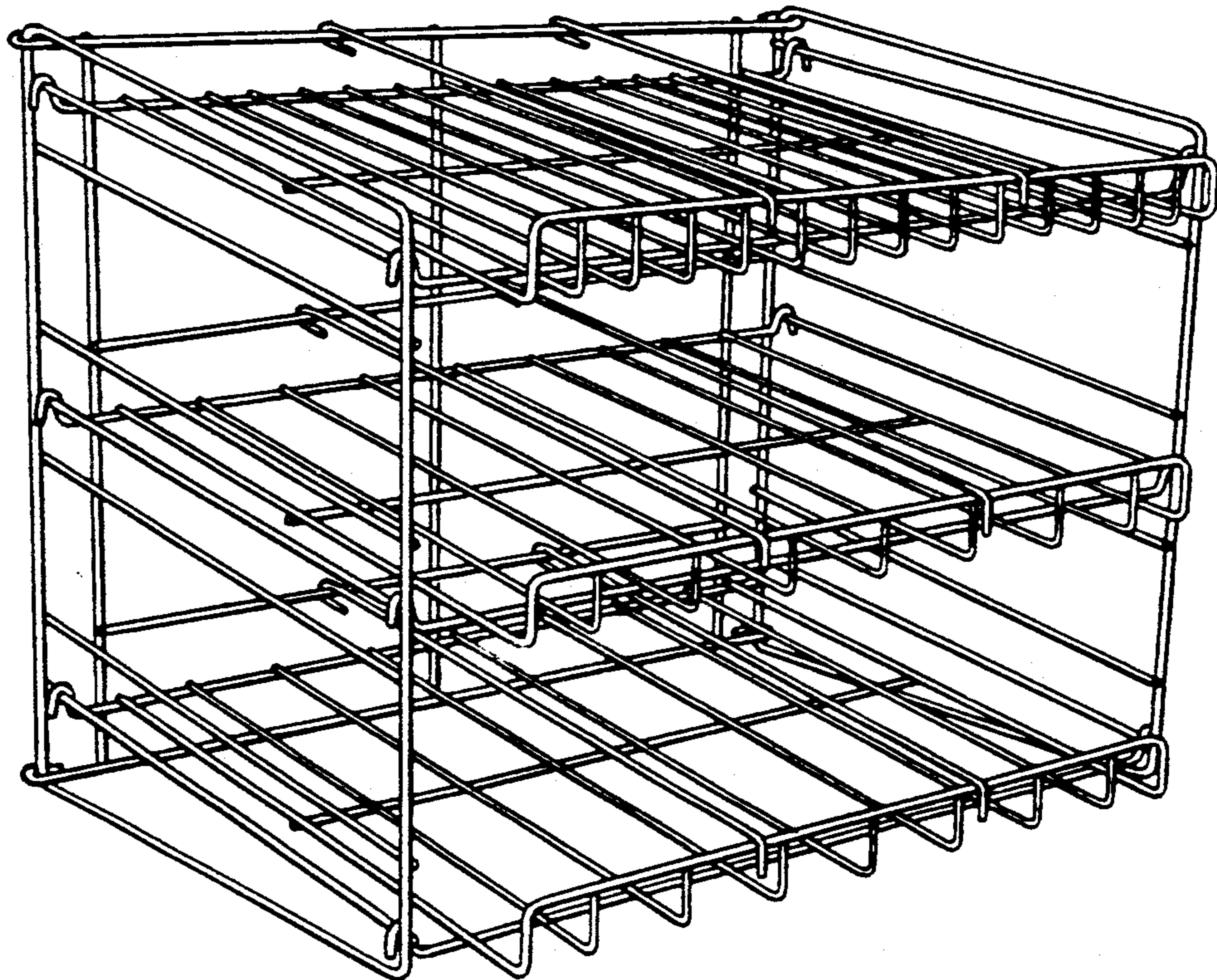
Primary Examiner—Bruce W. Dunkins  
Assistant Examiner—Jeffrey Asch  
Attorney, Agent, or Firm—Duane C. Bowen

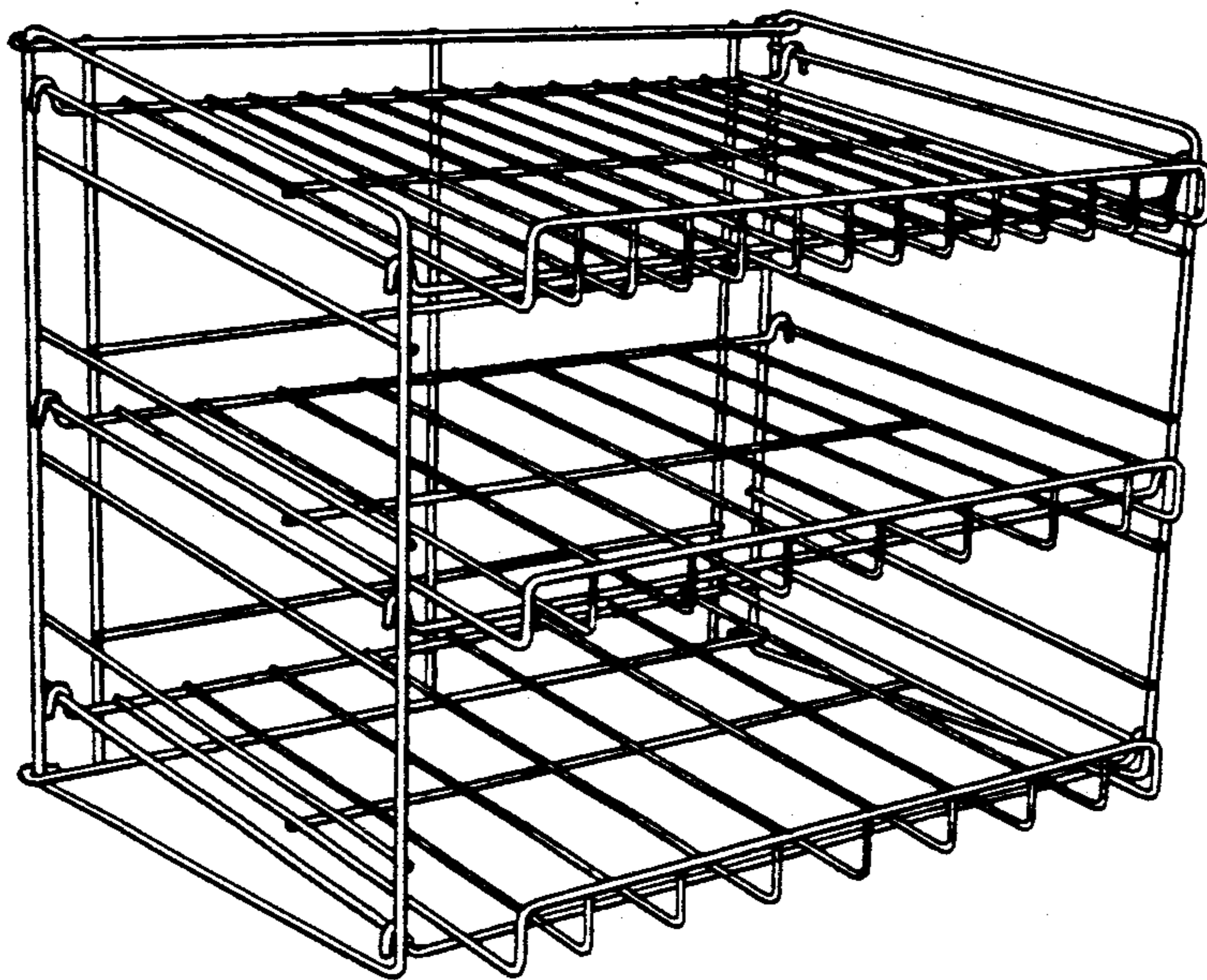
[57] CLAIM

The ornamental design for a wire shelving unit for canned goods, as shown and described.

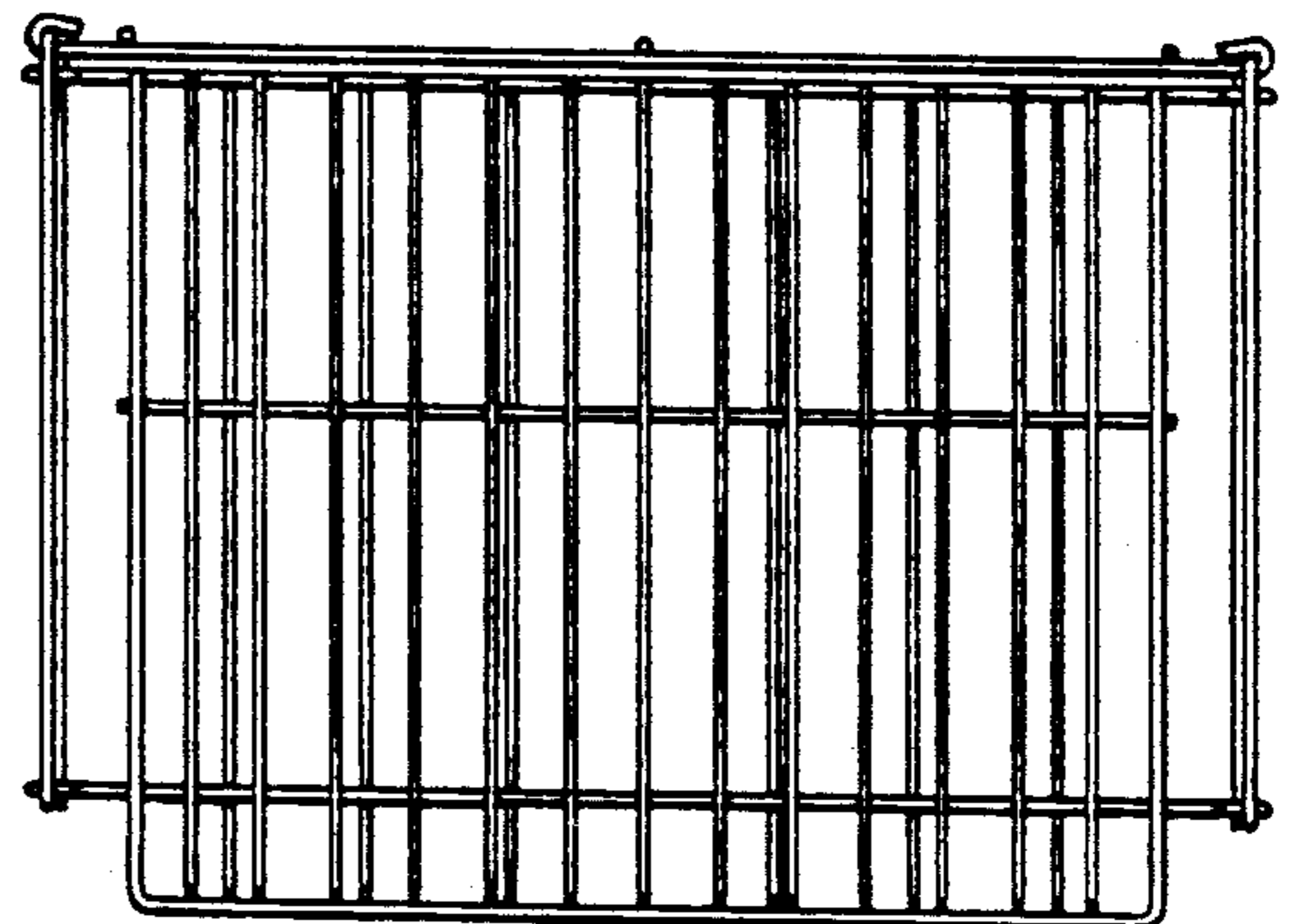
DESCRIPTION

FIG. 1 is a perspective view of a wire shelving unit for canned goods showing my new design; FIG. 2 is a front elevational view; FIG. 3 is a top plan view; FIG. 4 is a left side elevational view, the right side being a mirror thereof; FIG. 5 is a perspective view of a second embodiment of the shelving unit shown in FIG. 1; FIG. 6 is a front elevational view; FIG. 7 is a top plan view; FIG. 8 is a left side elevational view, the right side being a mirror image thereof; FIG. 9 is a perspective view of a third embodiment of the shelving unit shown in FIG. 1; FIG. 10 is a front elevational view; FIG. 11 is a top plan view; FIG. 12 is a left side elevational view, the right side being a mirror image thereof; FIG. 13 is a perspective view of a fourth embodiment of the shelving unit shown in FIG. 1; FIG. 14 is a front elevational view; FIG. 15 is a top plan view; and FIG. 16 is a left side elevational view thereof, the right side being a mirror image thereof.

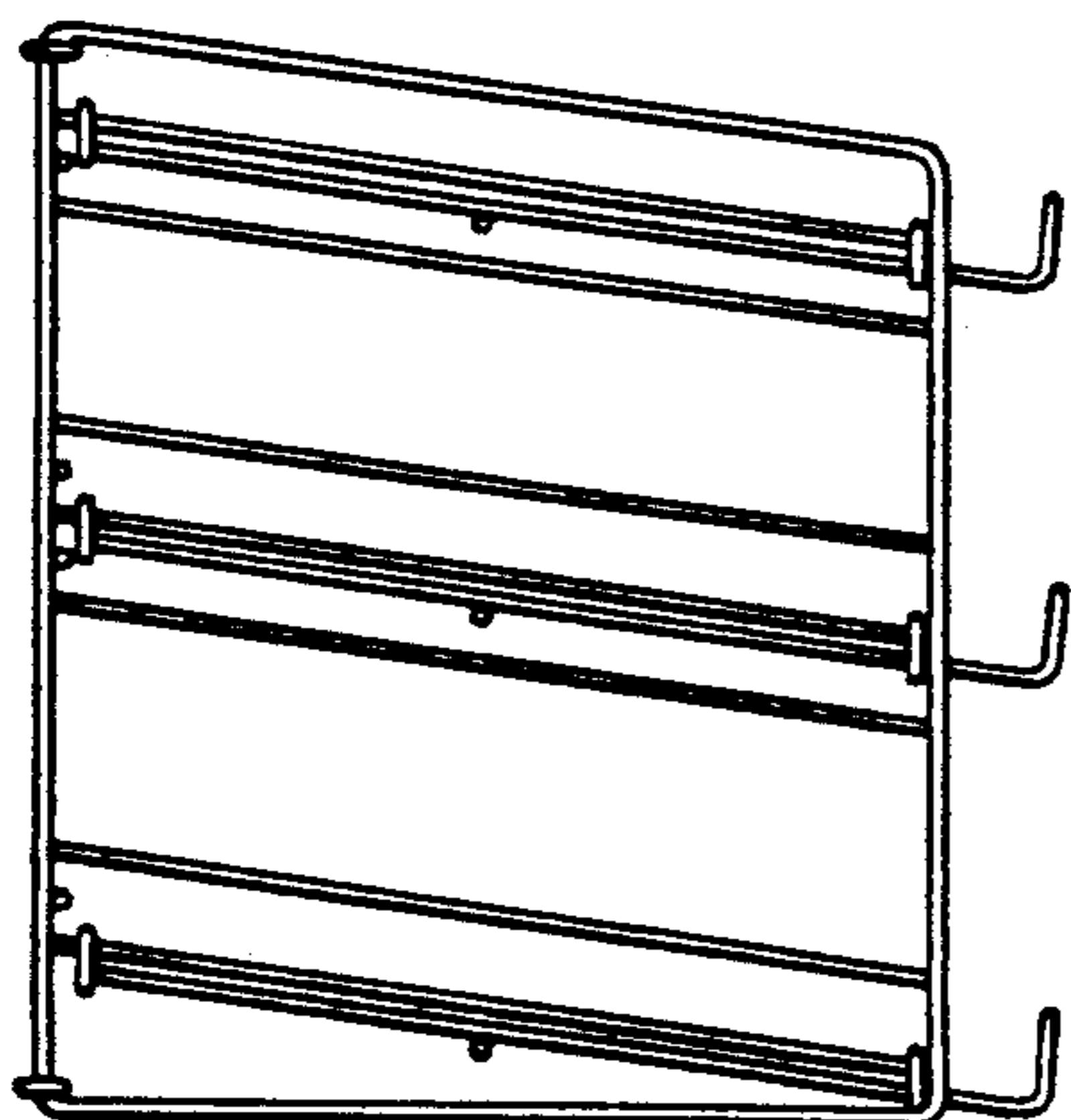




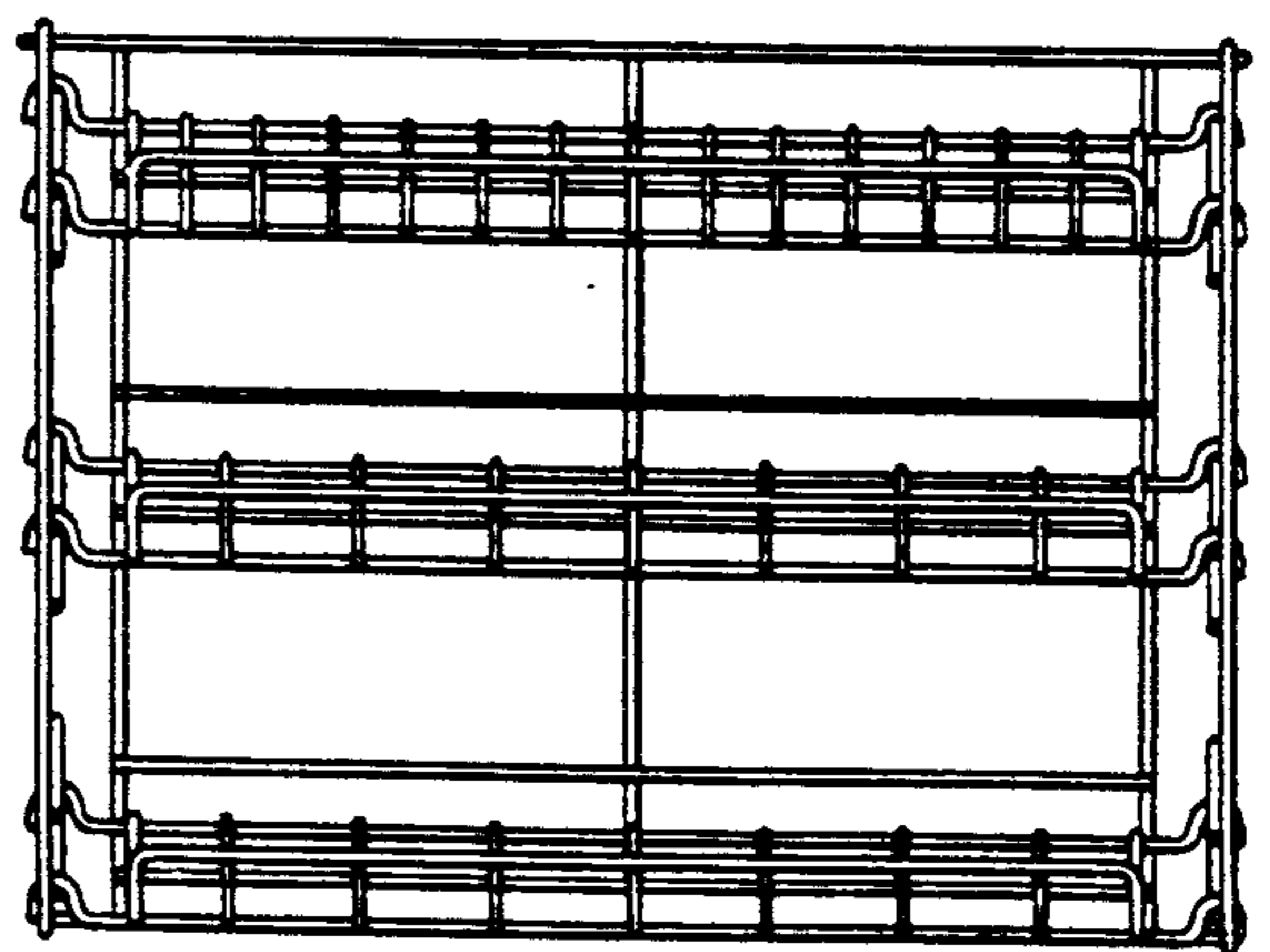
*Fig. 1*



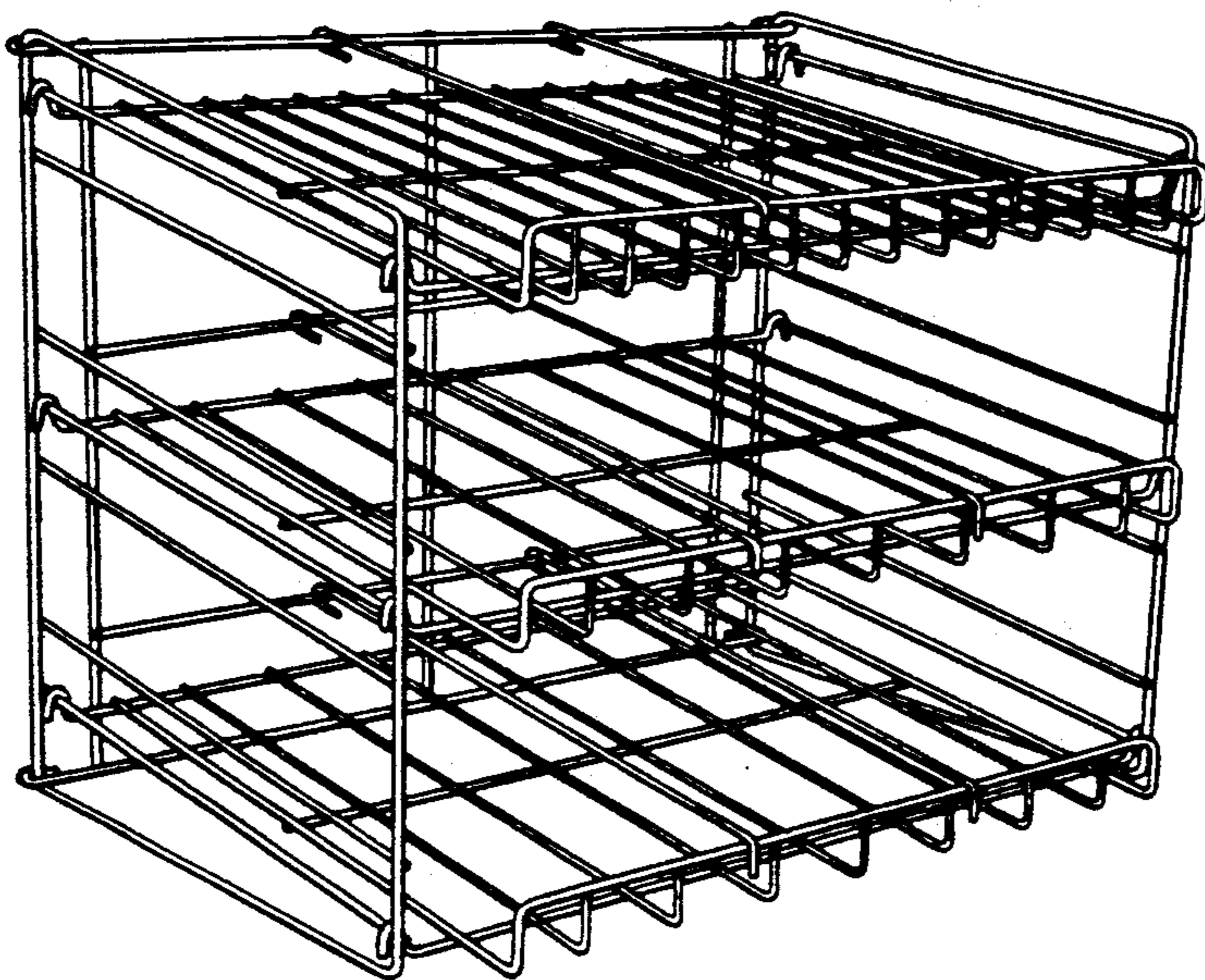
*Fig. 3*



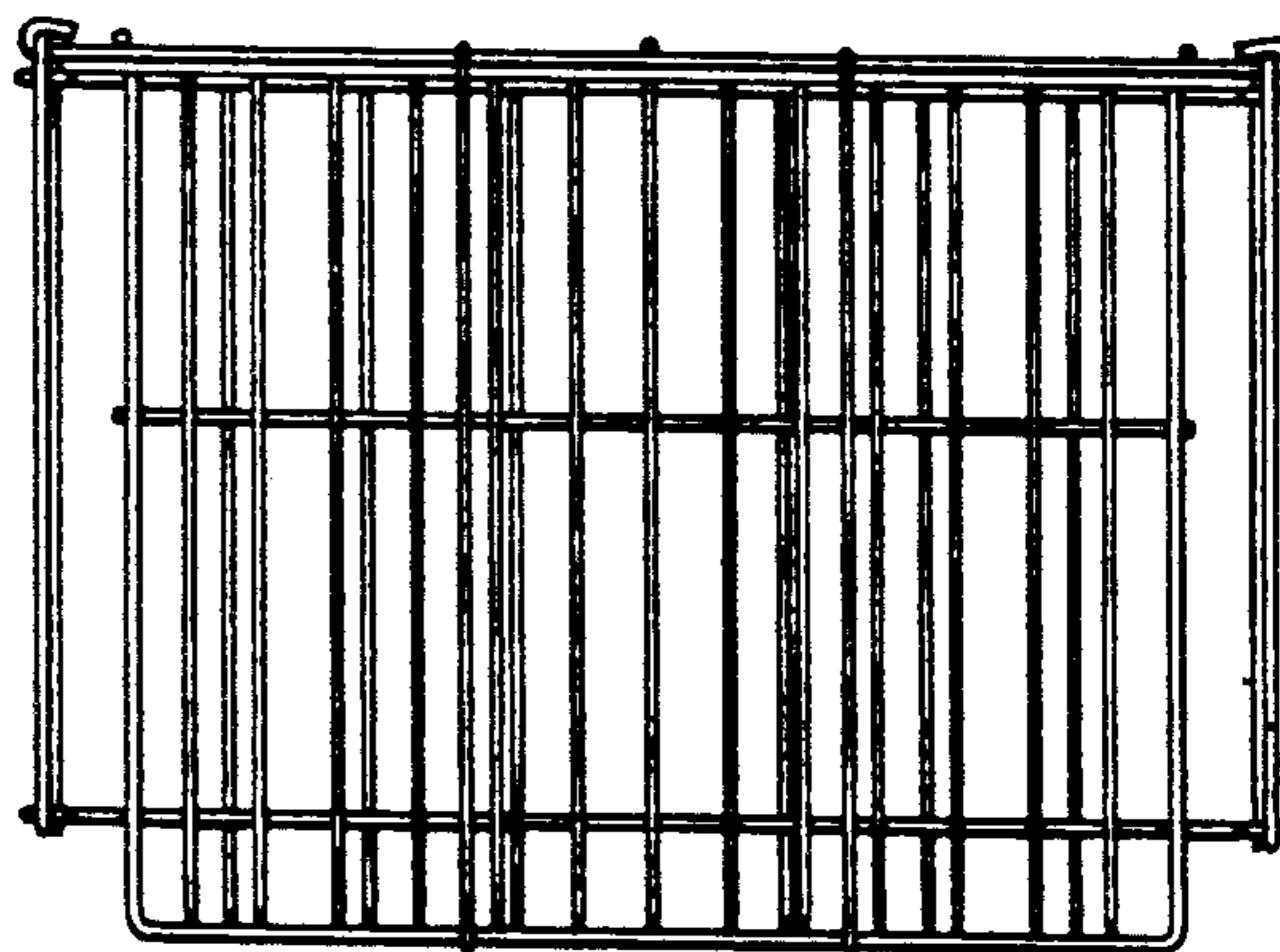
*Fig. 4*



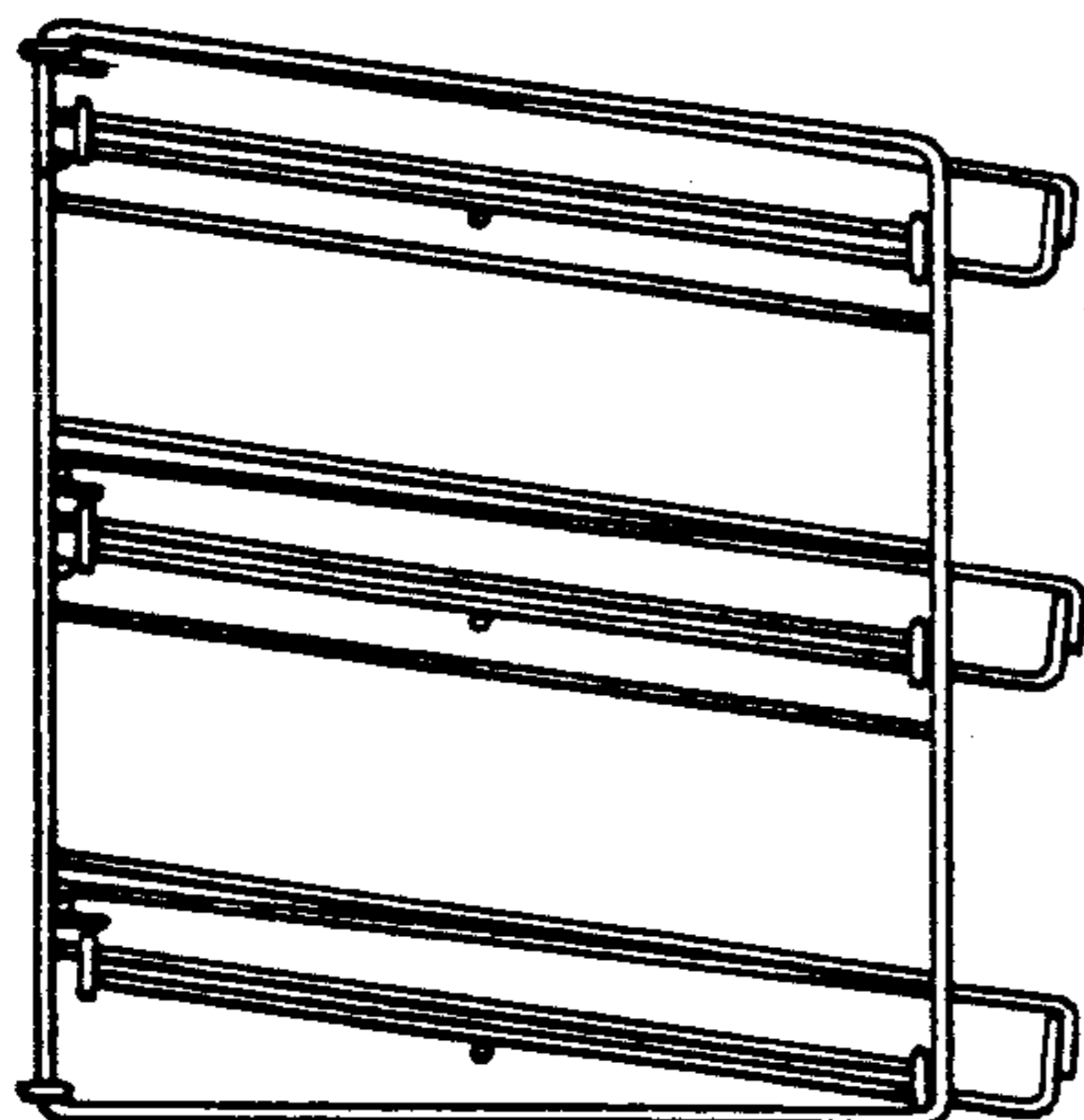
*Fig. 2*



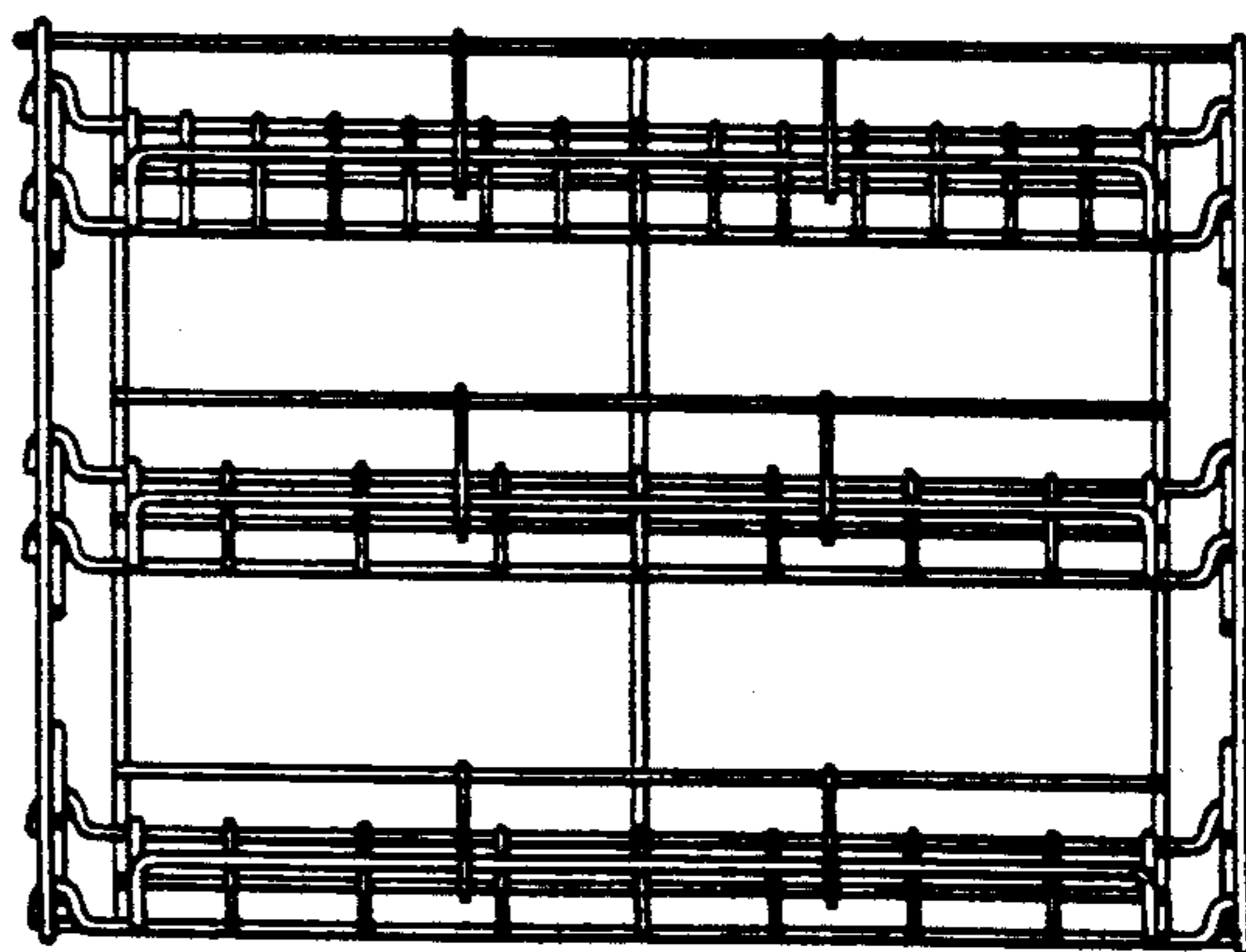
*Fig. 5*



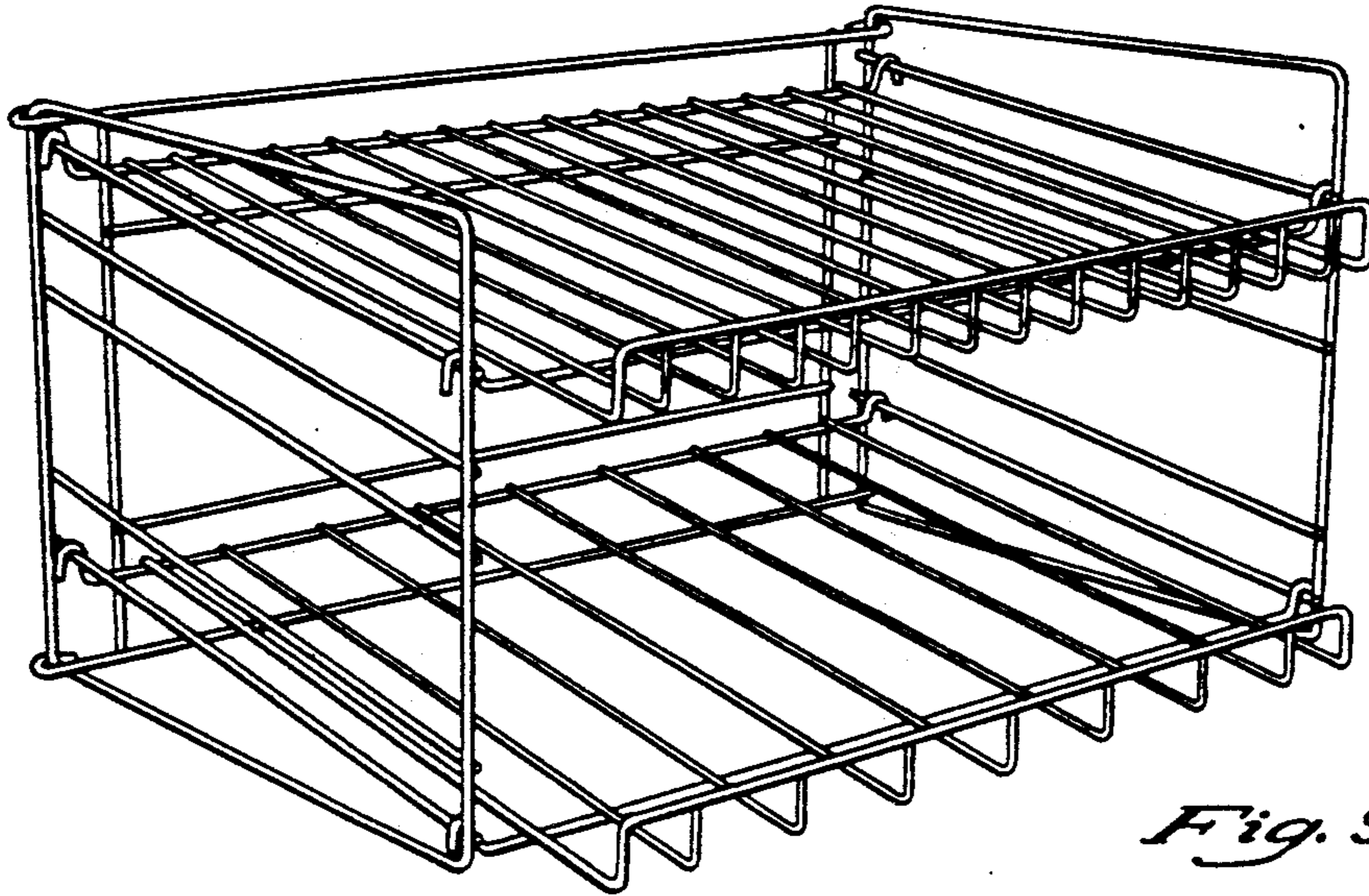
*Fig. 7*



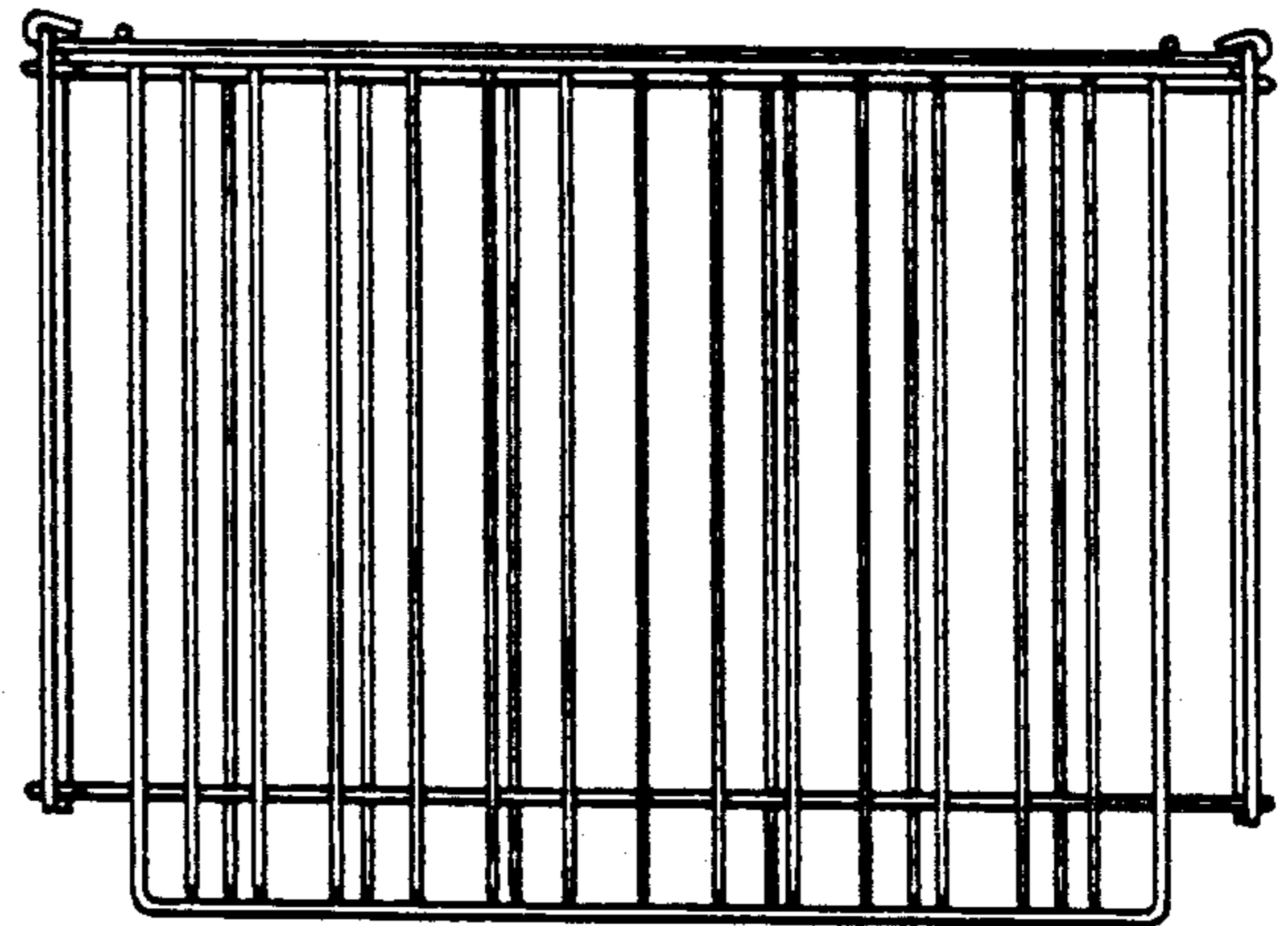
*Fig. 8*



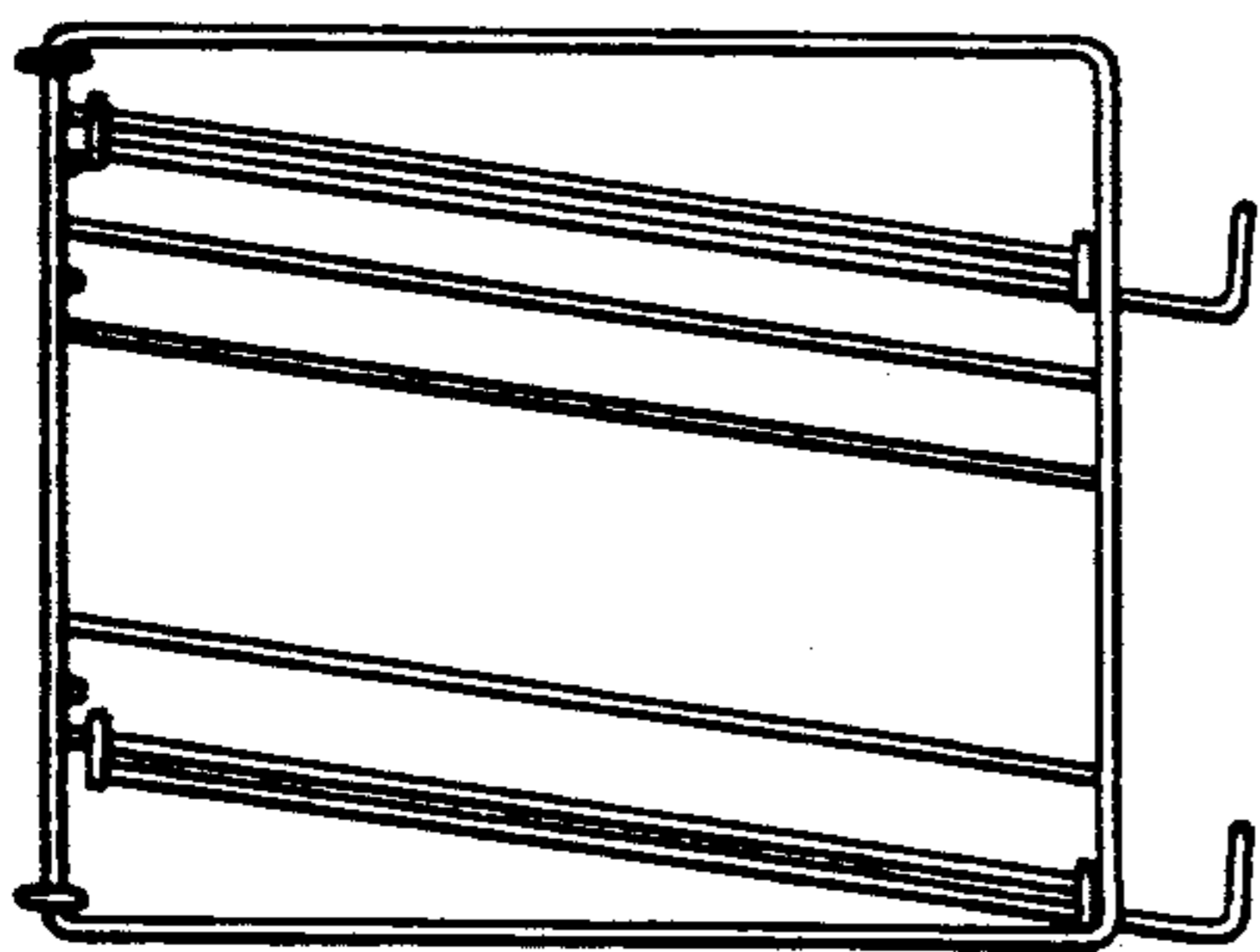
*Fig. 6*



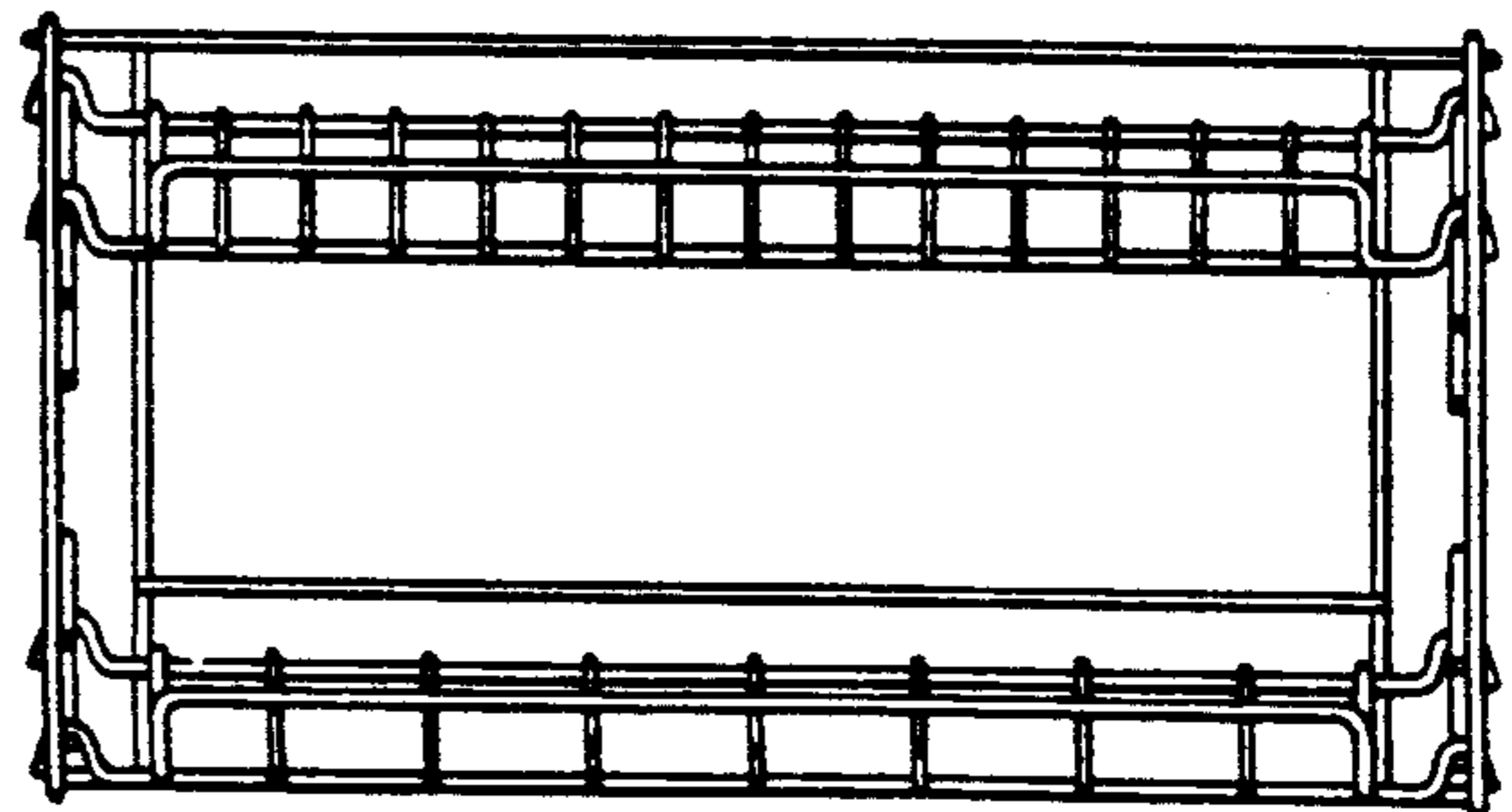
*Fig. 9*



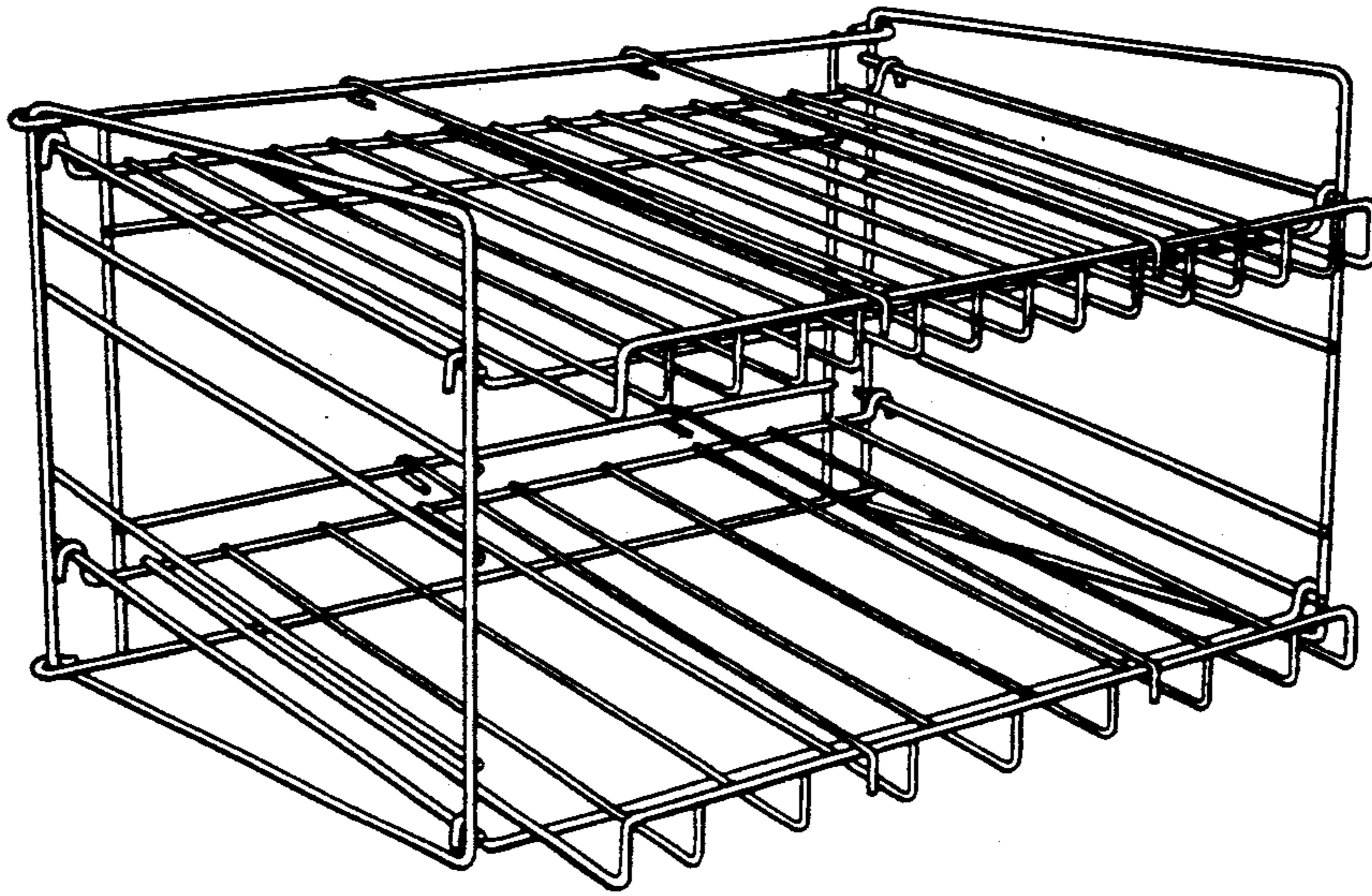
*Fig. 11*



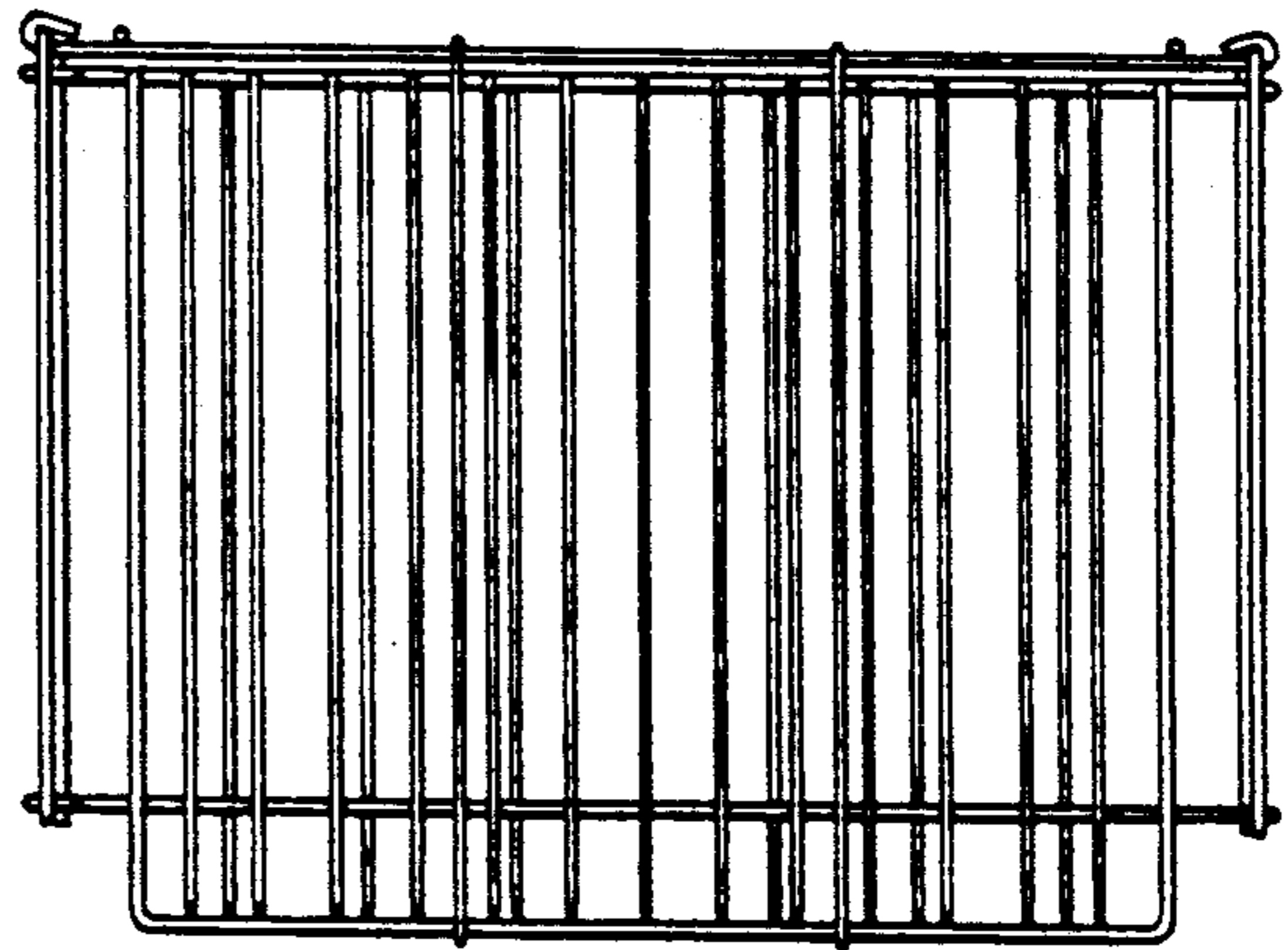
*Fig. 12*



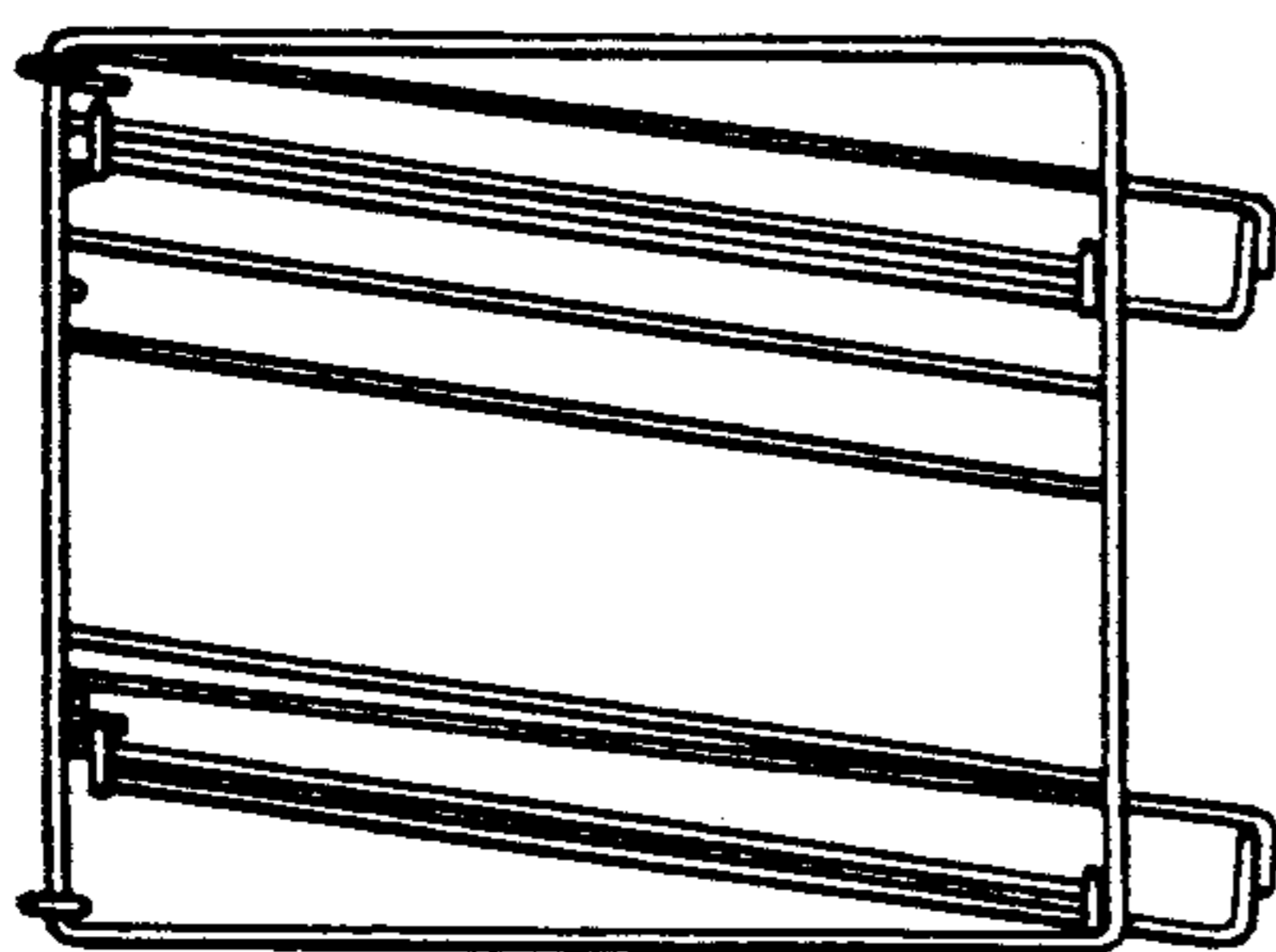
*Fig. 10*



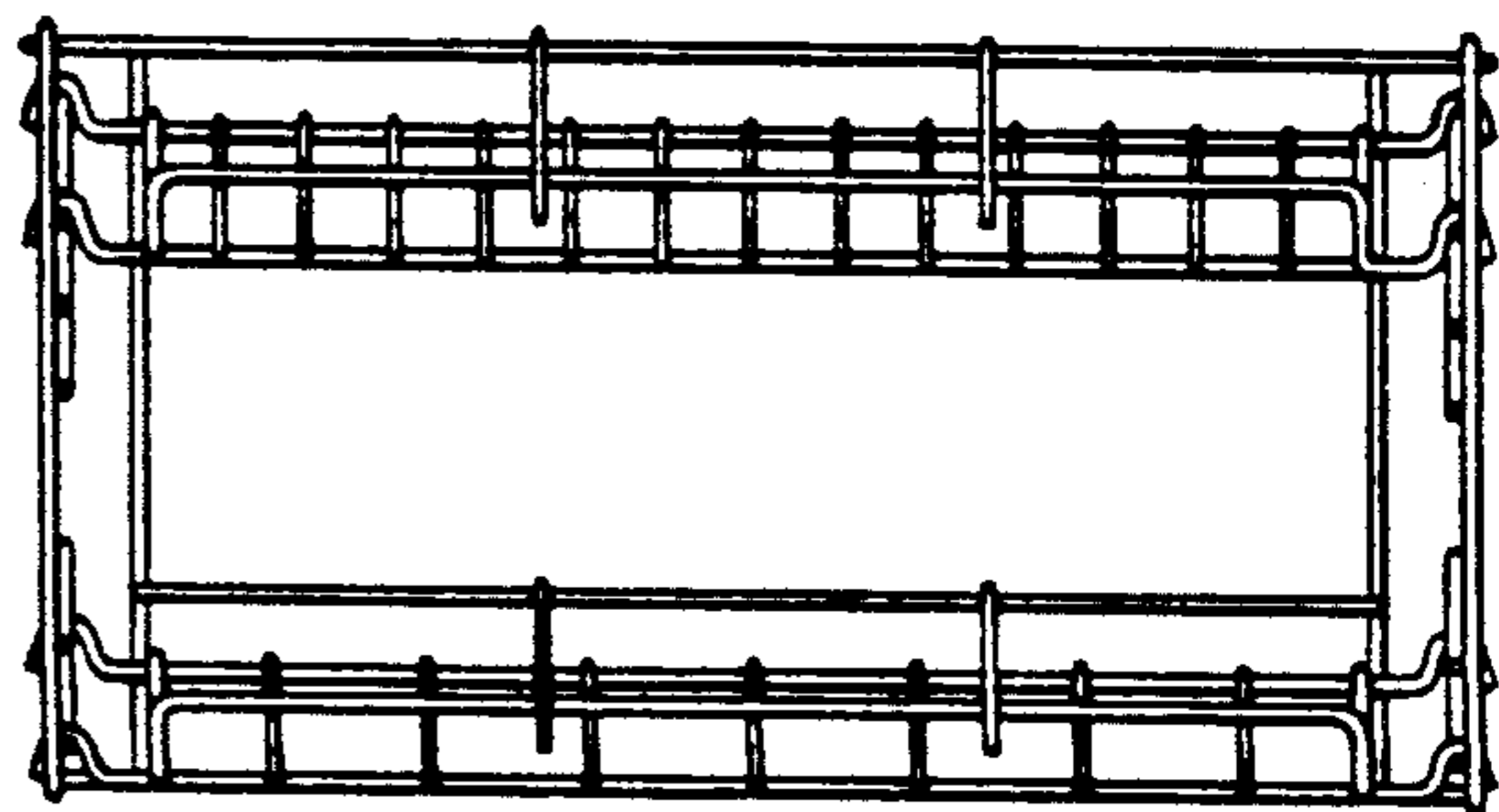
*Fig. 13*



*Fig. 15*



*Fig. 16*



*Fig. 14*