

[54] STORAGE RACK

[76] Inventor: James E. Hay, 21080 Oriole La., Bend, Oreg. 97701

[**] Term: 14 Years

[21] Appl. No.: 383,348

[22] Filed: Jul. 20, 1989

[52] U.S. Cl. D6/407; D6/467

[58] Field of Search D6/407, 449, 467, 468, D6/455, 451, 477, 478, 479, 553; D3/35; 211/40, 42, 50

4,485,930 12/1984 Savelkouls 108/91 X
4,919,277 4/1990 Jeruzal 211/41
4,949,848 8/1990 Kos 211/41

Primary Examiner—Bruce W. Dunkins
Assistant Examiner—Jeffrey Asch
Attorney, Agent, or Firm—Owen, Wickersham & Erickson

[57] CLAIM

The ornamental design for storage rack, as shown and described.

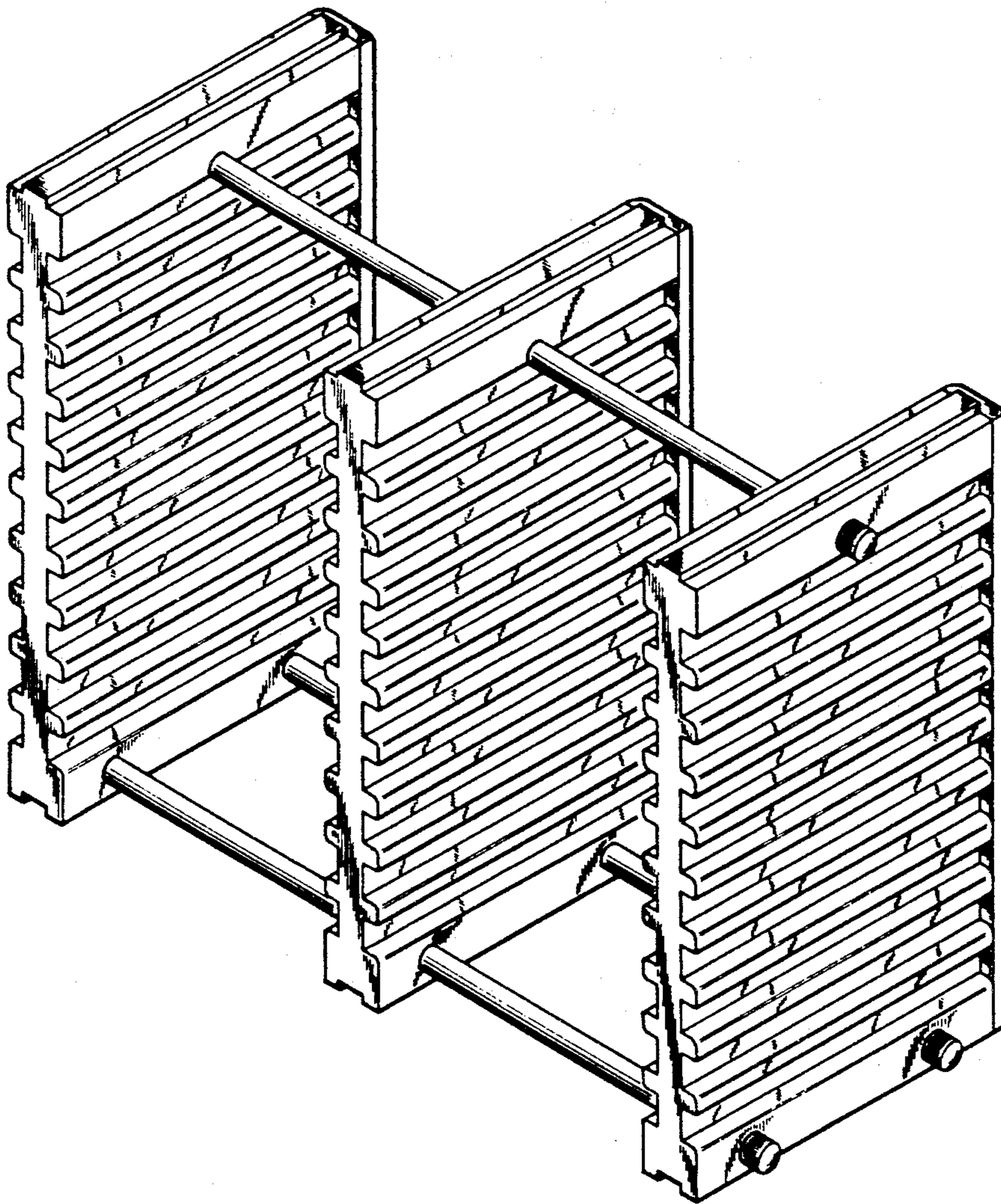
DESCRIPTION

FIG. 1 is a front perspective view of a storage rack embodying my new design;
FIG. 2 is a right side elevational view the left side being a mirror image thereof;
FIG. 3 is a front elevational view thereof;
FIG. 4 is a rear elevational view thereof;
FIG. 5 is a top view thereof;
FIG. 6 is a bottom view thereof;
FIG. 7 is a perspective view of a second embodiment of the storage rack shown in FIG. 1.

[56] References Cited

U.S. PATENT DOCUMENTS

D. 234,994	4/1975	Stiene	D6/475
D. 256,534	8/1980	Bugos	D6/407
D. 256,640	9/1980	Farwell et al.	D6/467
D. 276,110	10/1984	Savelkouls	D6/478 X
D. 303,330	9/1989	Stanton	D6/407
D. 305,841	2/1990	MacQueen	D6/475
3,197,926	8/1965	Shumaker	D6/477 X



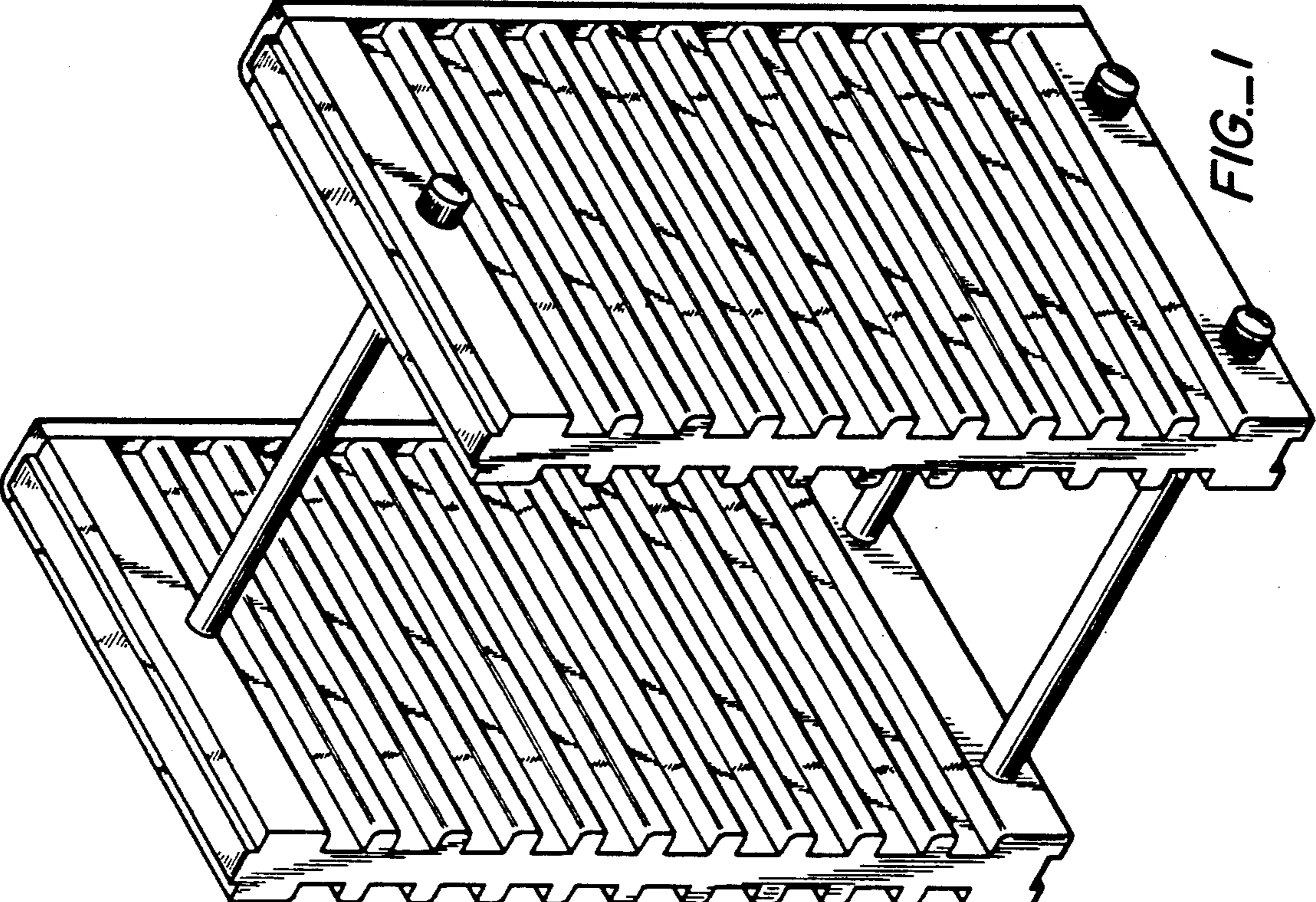


FIG.-1

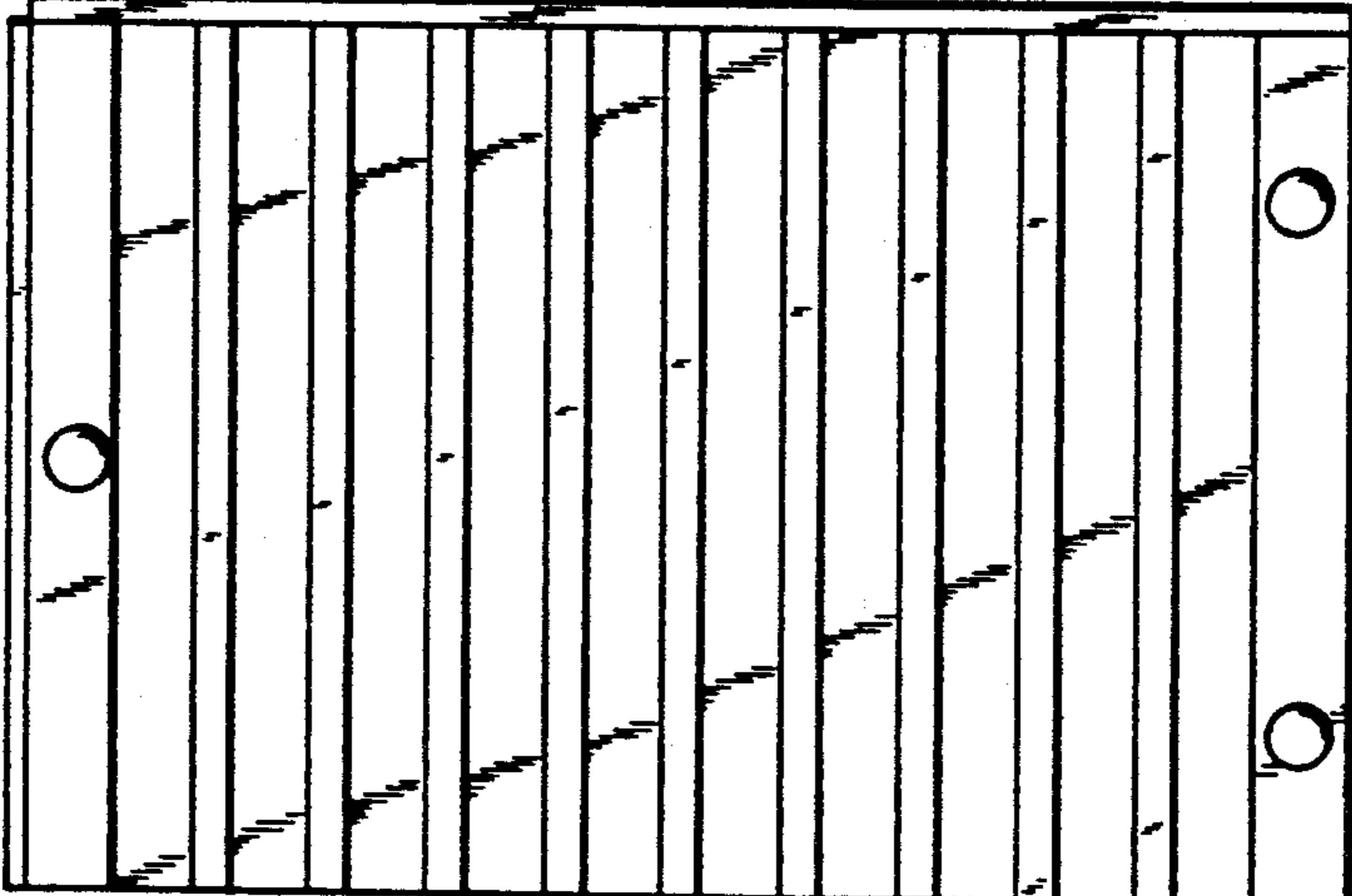


FIG.-2

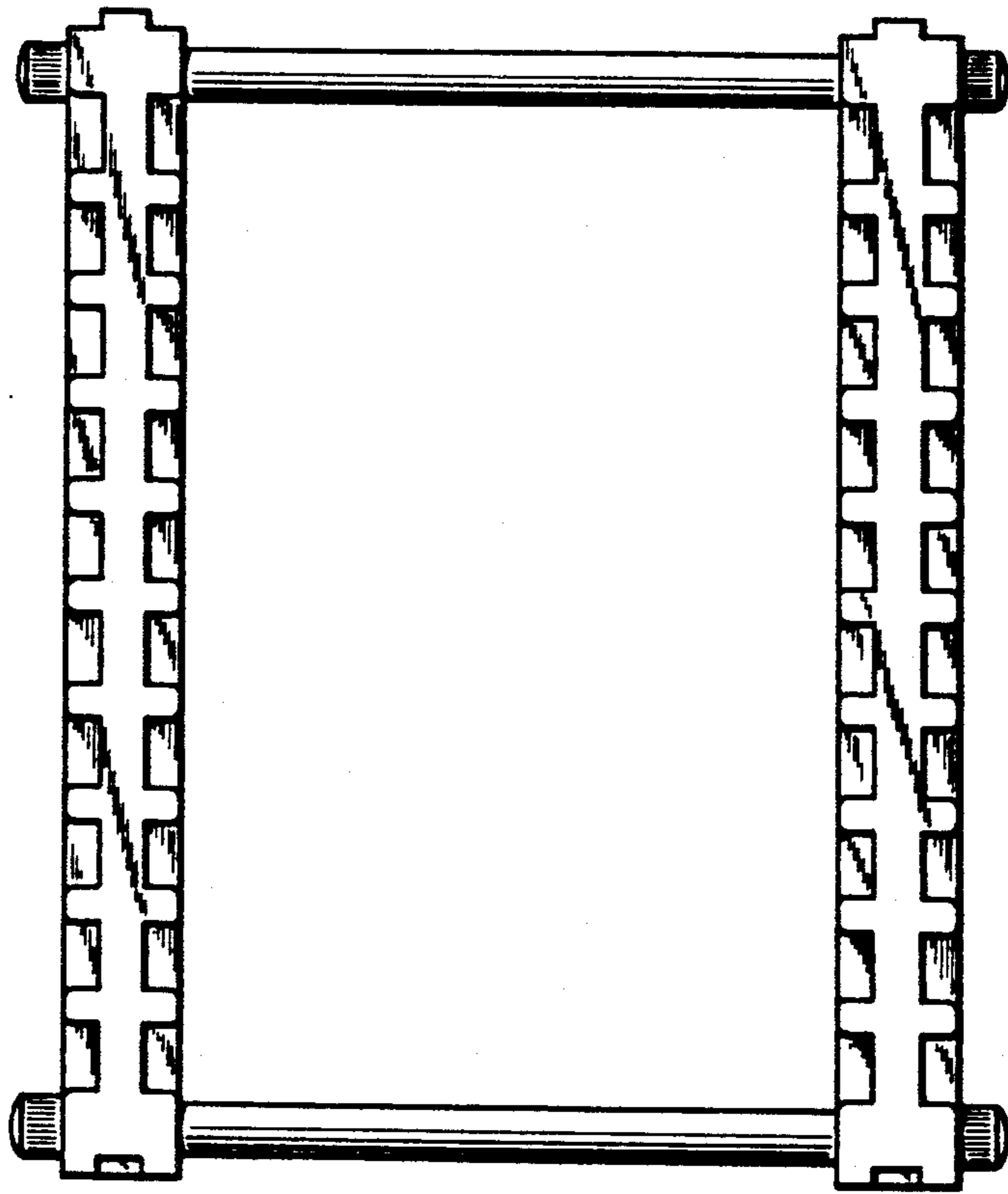


FIG. 3

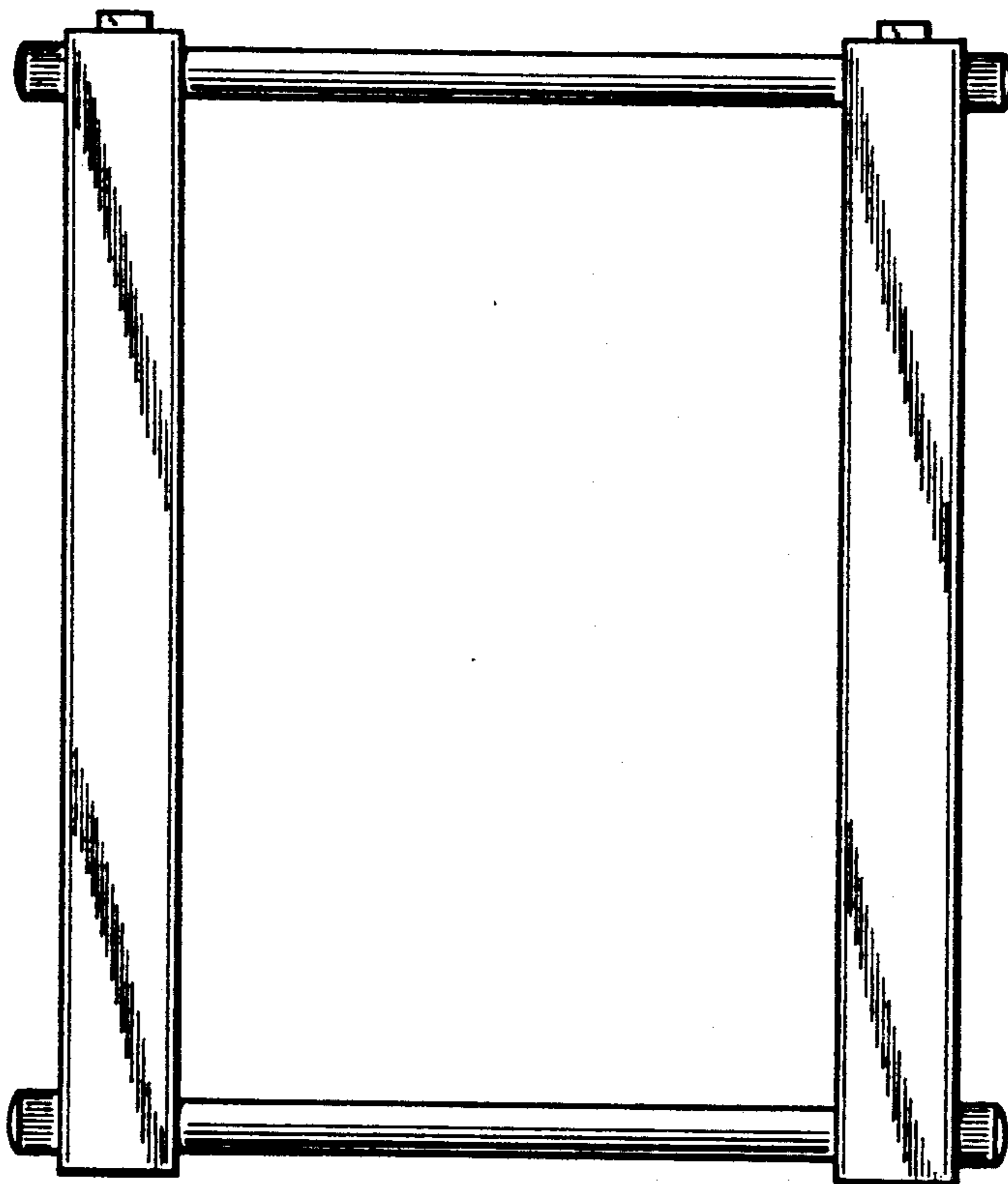


FIG. 4

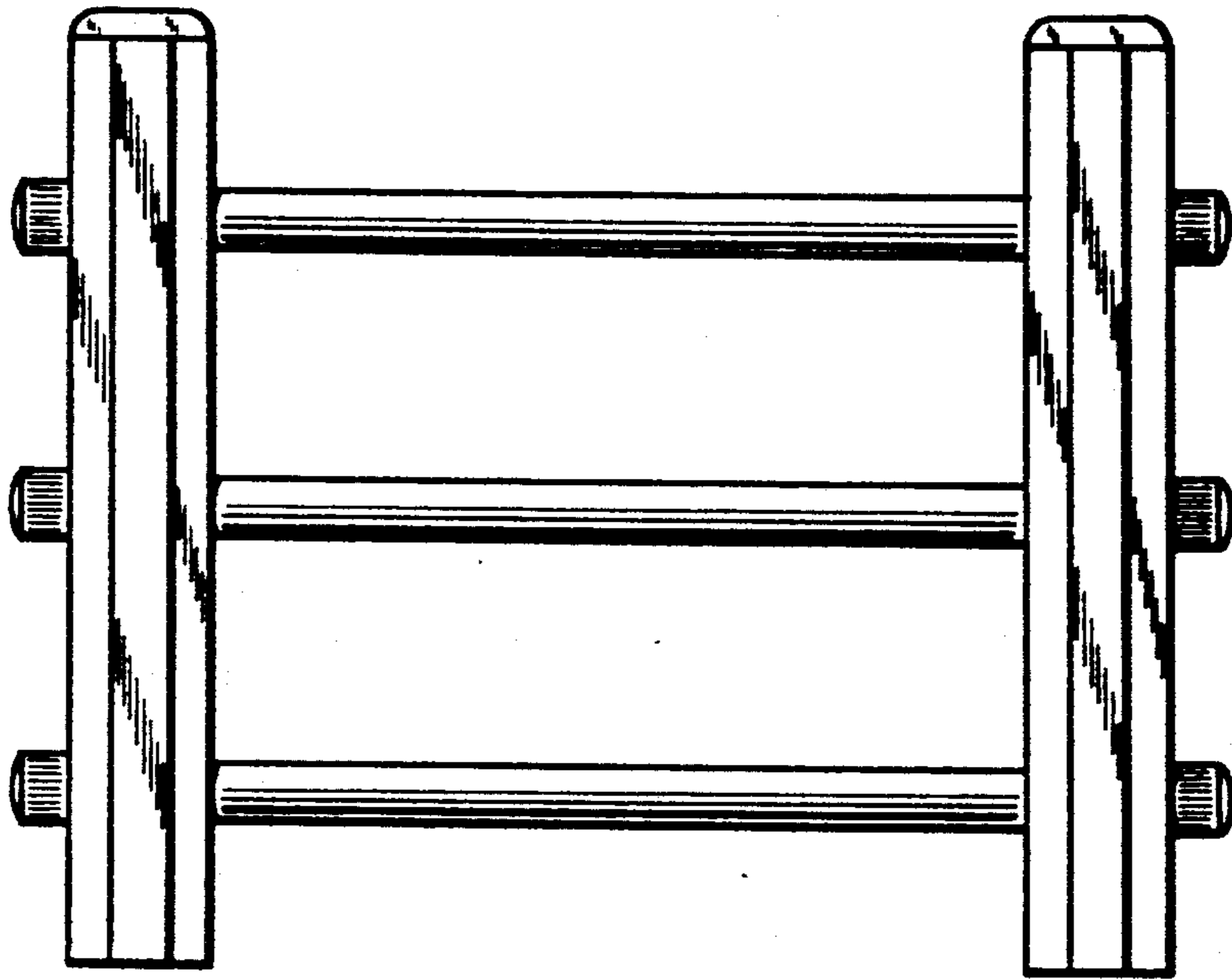


FIG. 5

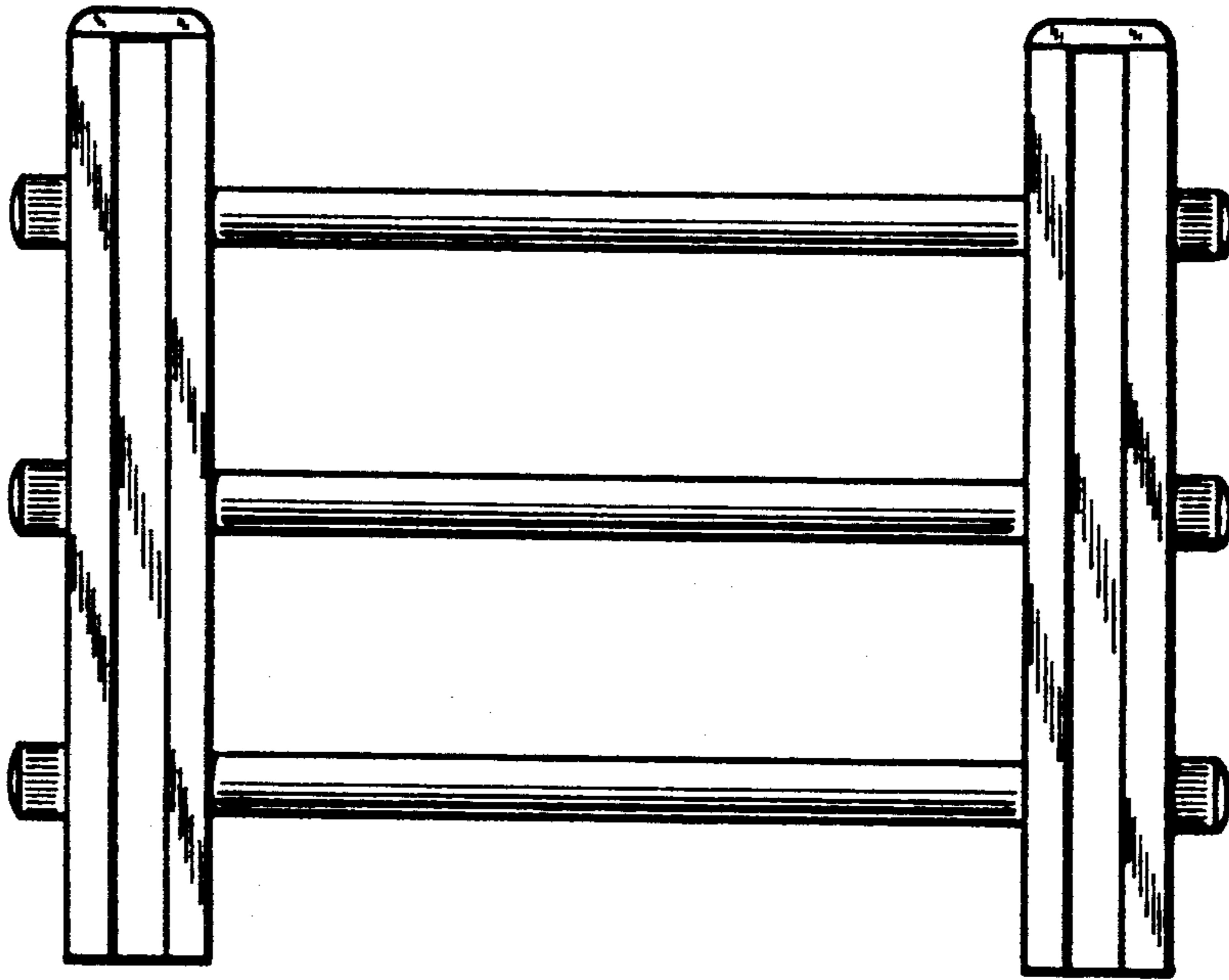


FIG. 6

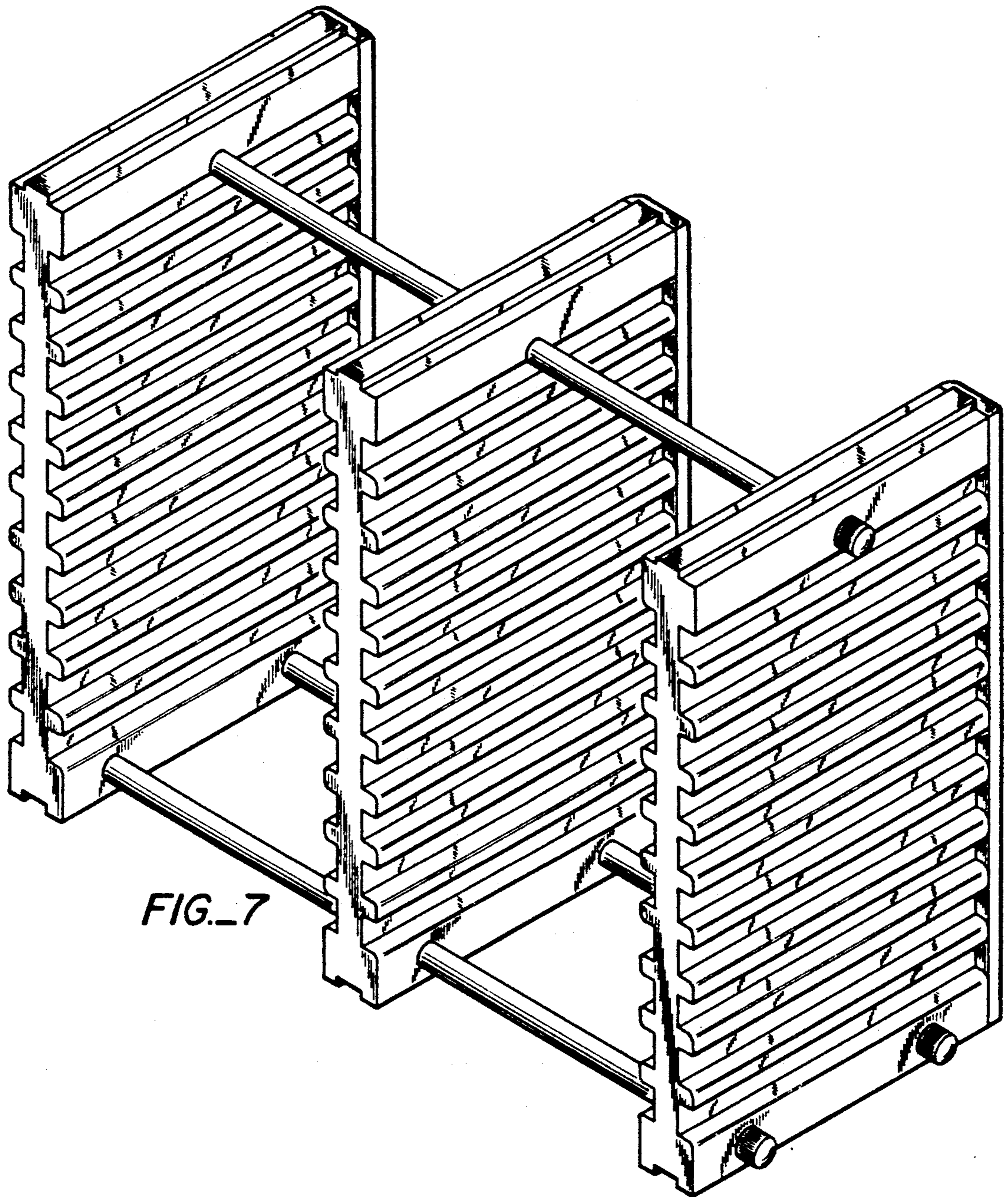


FIG. 7