

[54] FOLDABLE INSTRUMENT MAT AND CARRIER POCKET COMBINATION

[75] Inventors: Steven J. McKinney; Mary J. McKinney, both of North Little Rock, Ark.

[73] Assignee: Instrumat, Inc., North Little Rock, Ark.

[\*\*] Term: 14 Years

[21] Appl. No.: 176,414

[22] Filed: Apr. 1, 1988

[52] U.S. Cl. .... D6/397; D6/335; D6/361; D6/501; D6/601

[58] Field of Search ..... D6/582, 583, 596, 603, D6/605, 608, 610, 611

[56] References Cited

U.S. PATENT DOCUMENTS

D. 216,610	2/1970	Stiver .....	D6/596
D. 255,524	6/1980	Yarabinec .....	D6/596
D. 264,165	5/1982	McVeigh .....	D6/596
D. 286,486	11/1986	Goble, Jr. et al. ....	D6/611
1,602,941	10/1926	Rosman .....	D6/603 X
4,773,708	9/1988	Nastu .....	D6/611 X

Primary Examiner—Bruce W. Dunkins

Assistant Examiner—Janice E. Seeger  
Attorney, Agent, or Firm—Stephen D. Carver

[57] CLAIM

The ornamental design for a foldable instrument mat and carrier pocket combination, as shown and described.

DESCRIPTION

FIG. 1 is a perspective view of a foldable instrument mat and carrier pocket combination, showing my new design;

FIG. 2 is a perspective view with the pocket in inoperative position;

FIG. 3 is a fragmentary perspective view;

FIG. 4 is a perspective view of the foldable instrument mat and carrier pocket combination in folded condition;

FIG. 5 is a front elevational view;

FIG. 6 is a rear elevational view;

FIG. 7 is a left side elevational view;

FIG. 8 is a right side elevational view;

FIG. 9 is a top plan view;

FIG. 10 is a bottom plan view; and

FIG. 11 is a perspective view.

FIGS. 3 and 4 have been drawn to an enlarged scale with respect to FIGS. 1 and 2 while FIGS. 3-11 have been drawn to an enlarged scale with respect to FIGS. 3 and 4.

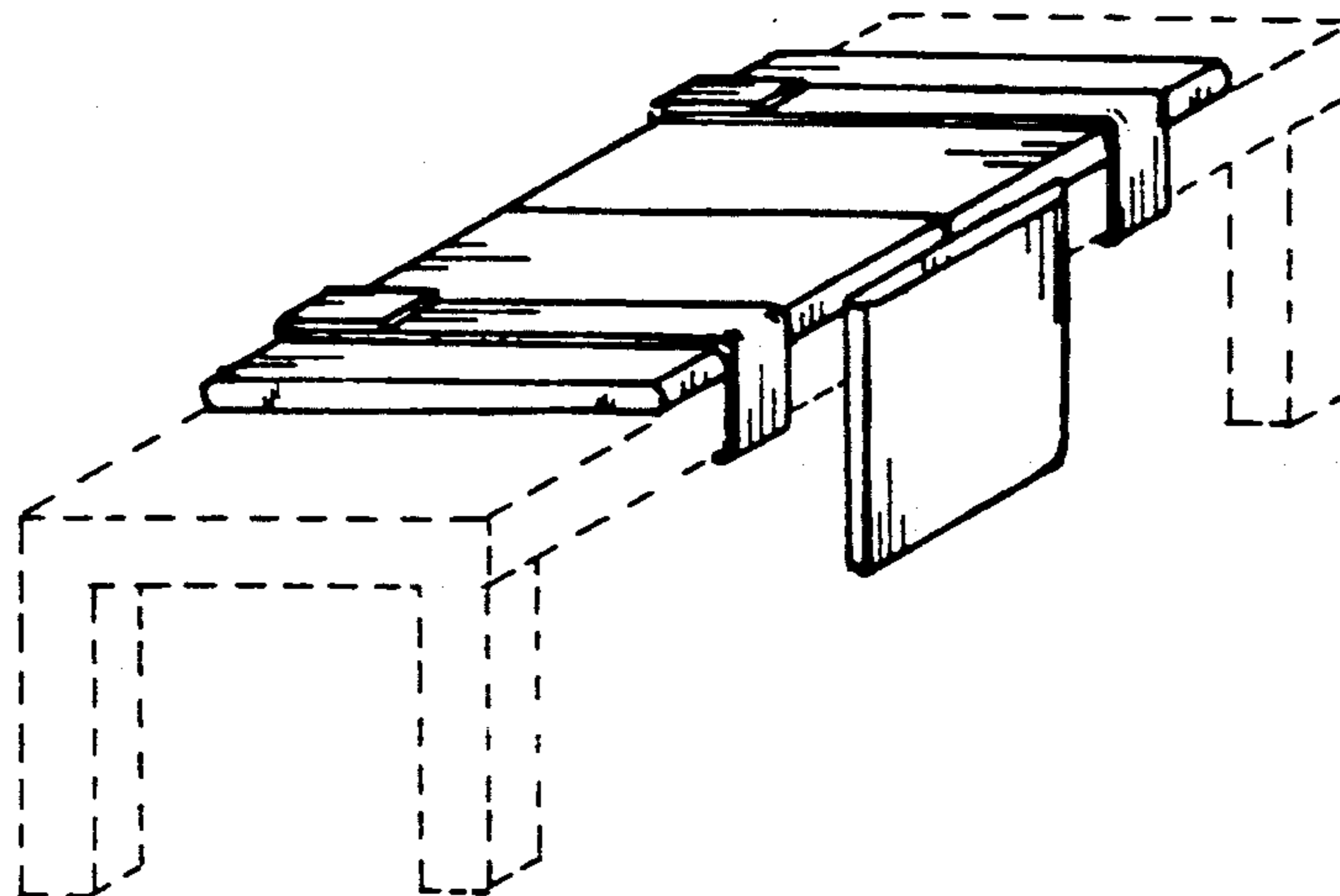


FIG. 1

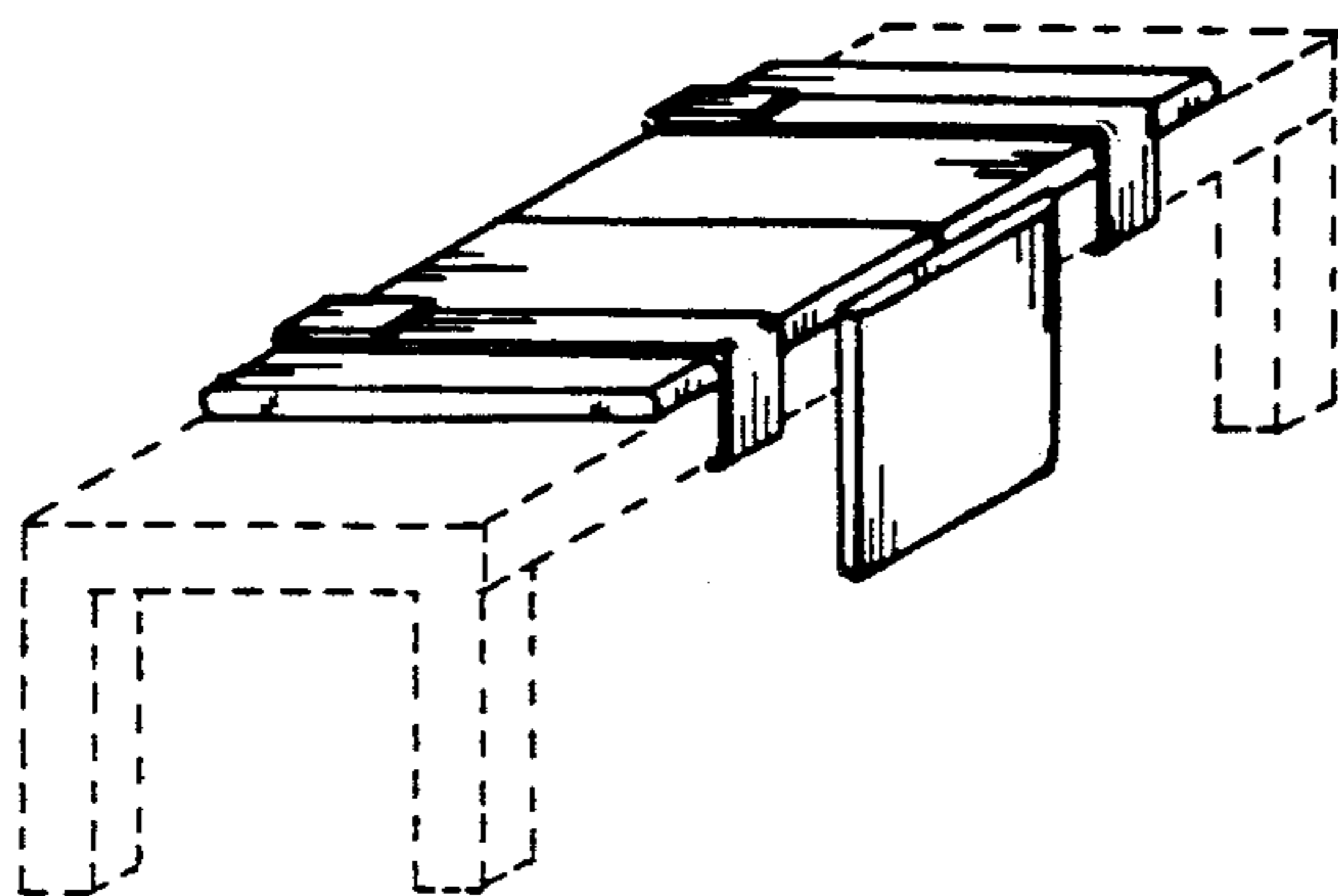


FIG. 2

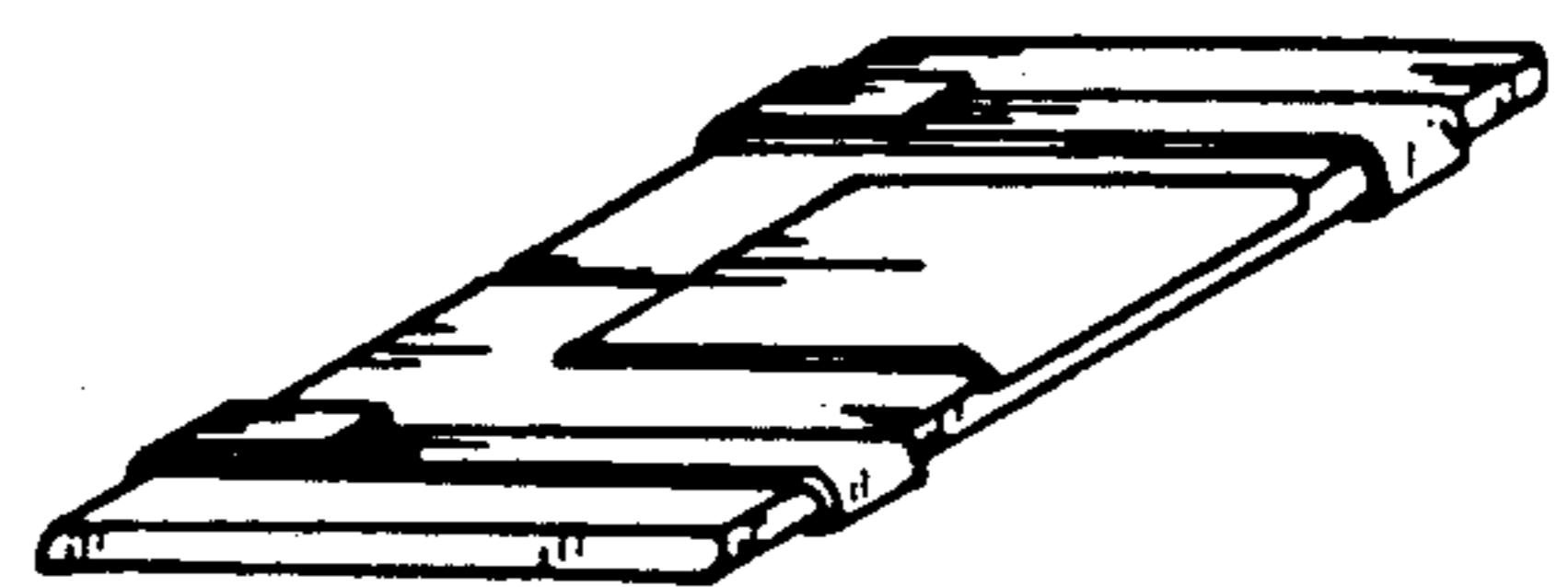


FIG. 3

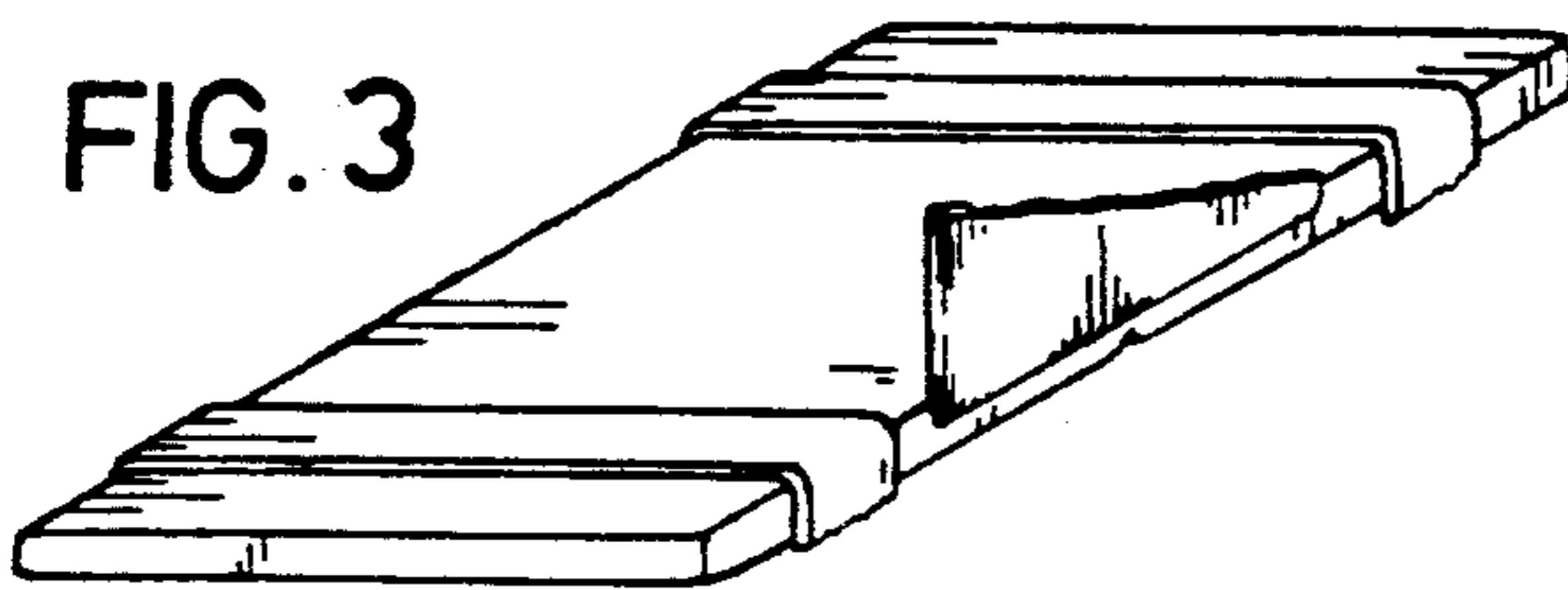


FIG. 4

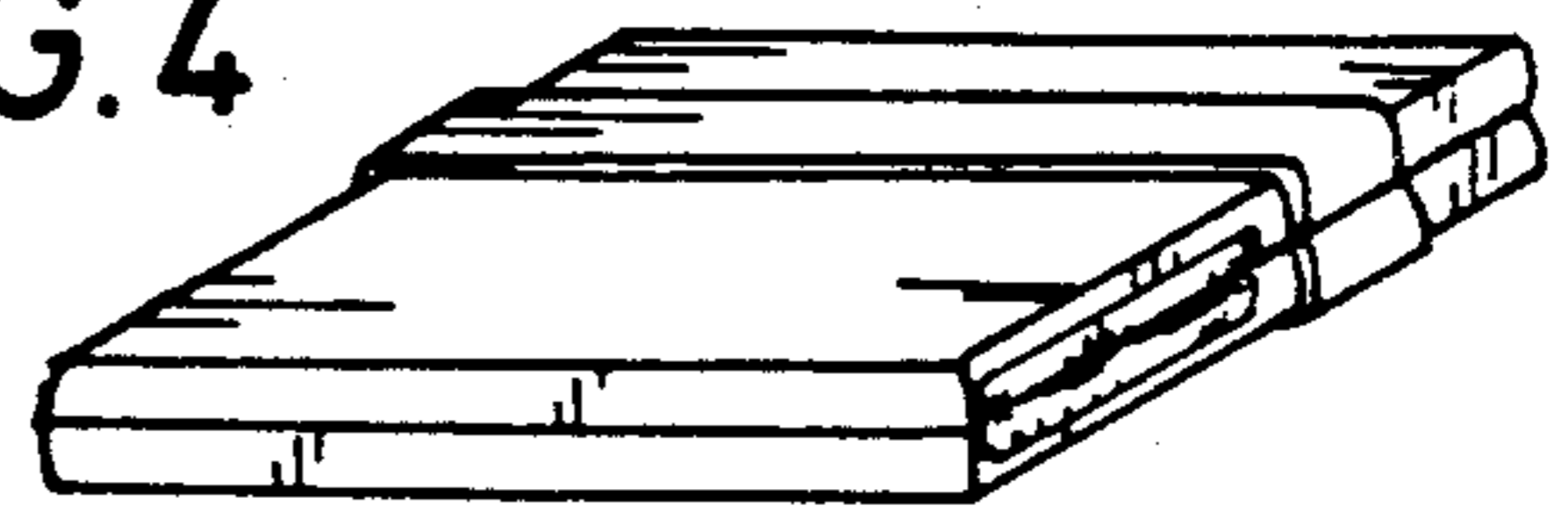


FIG. 5

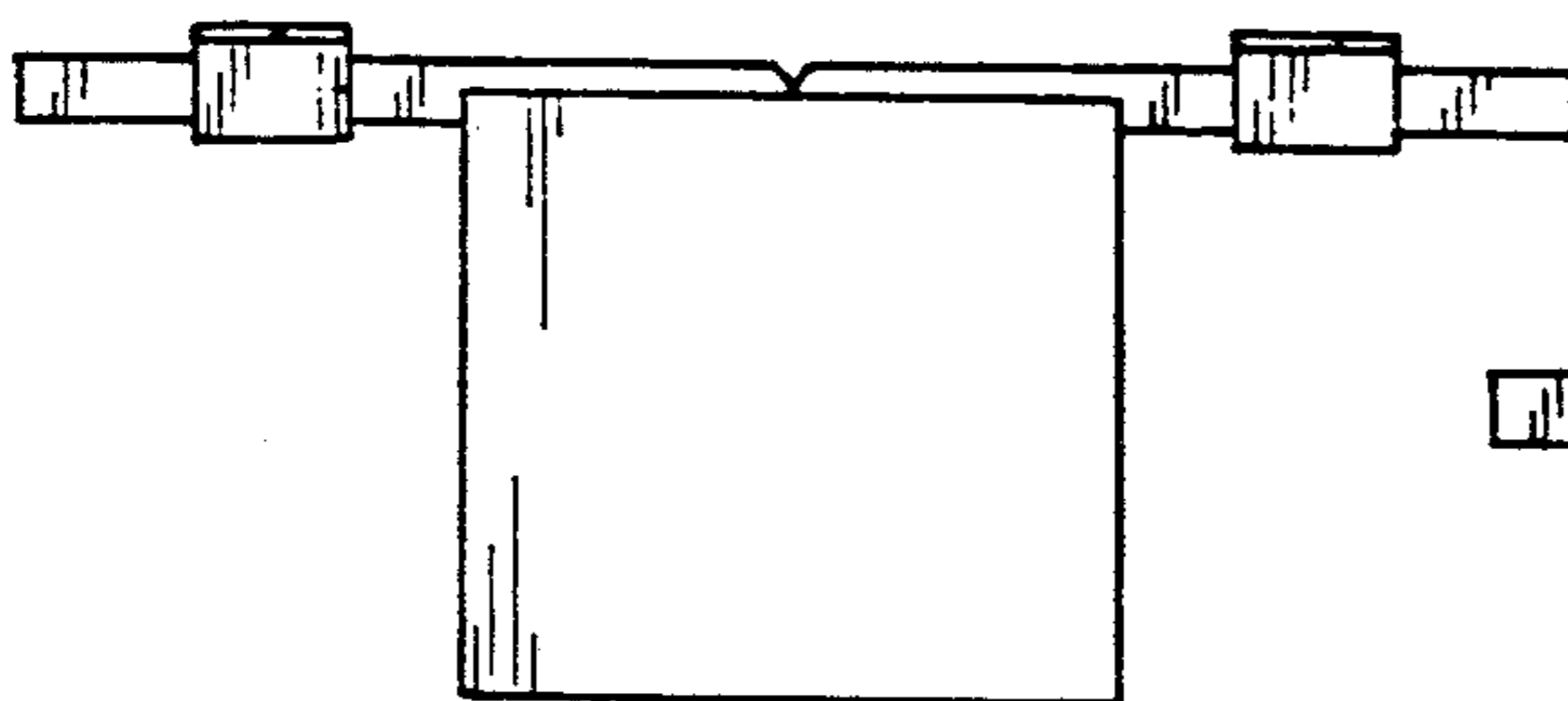


FIG. 6

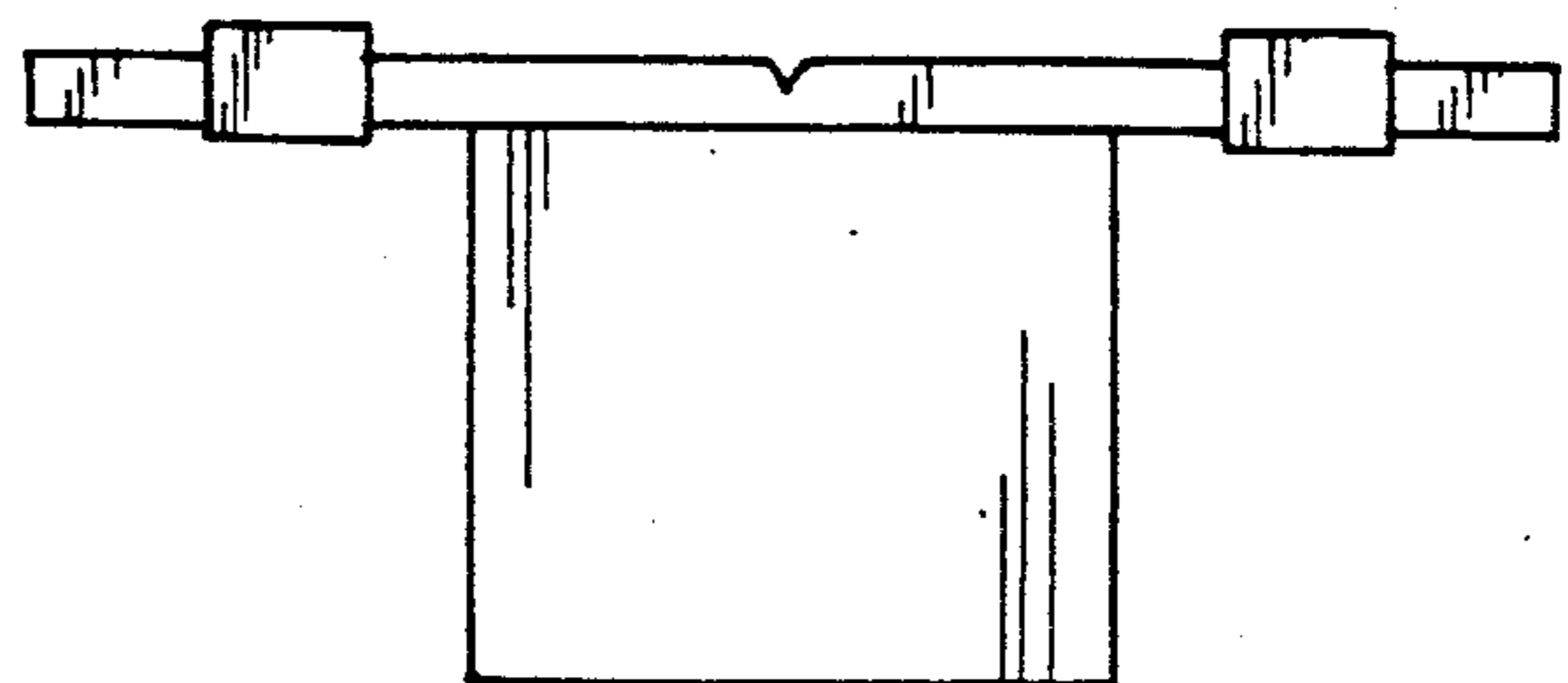


FIG. 7

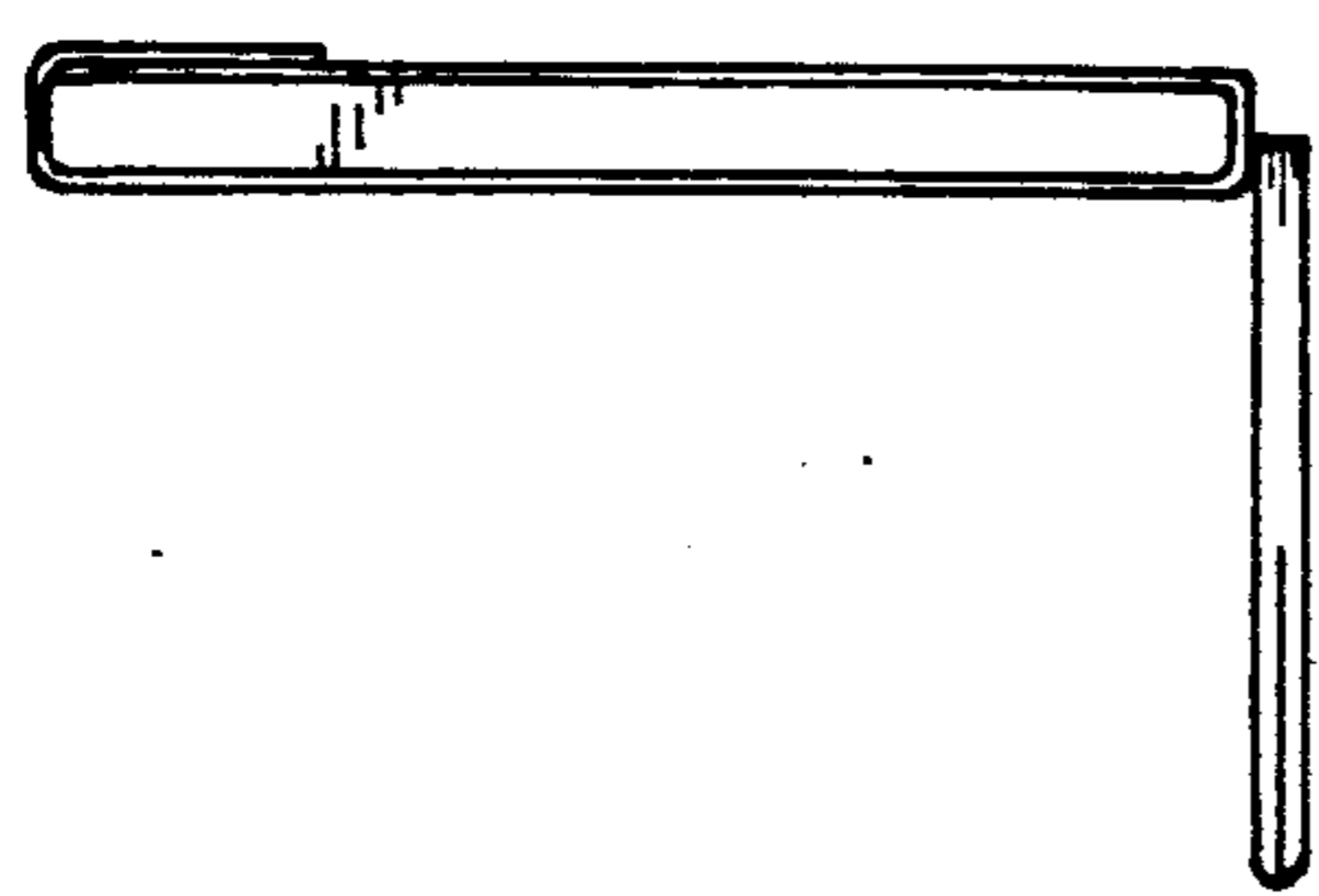


FIG. 9

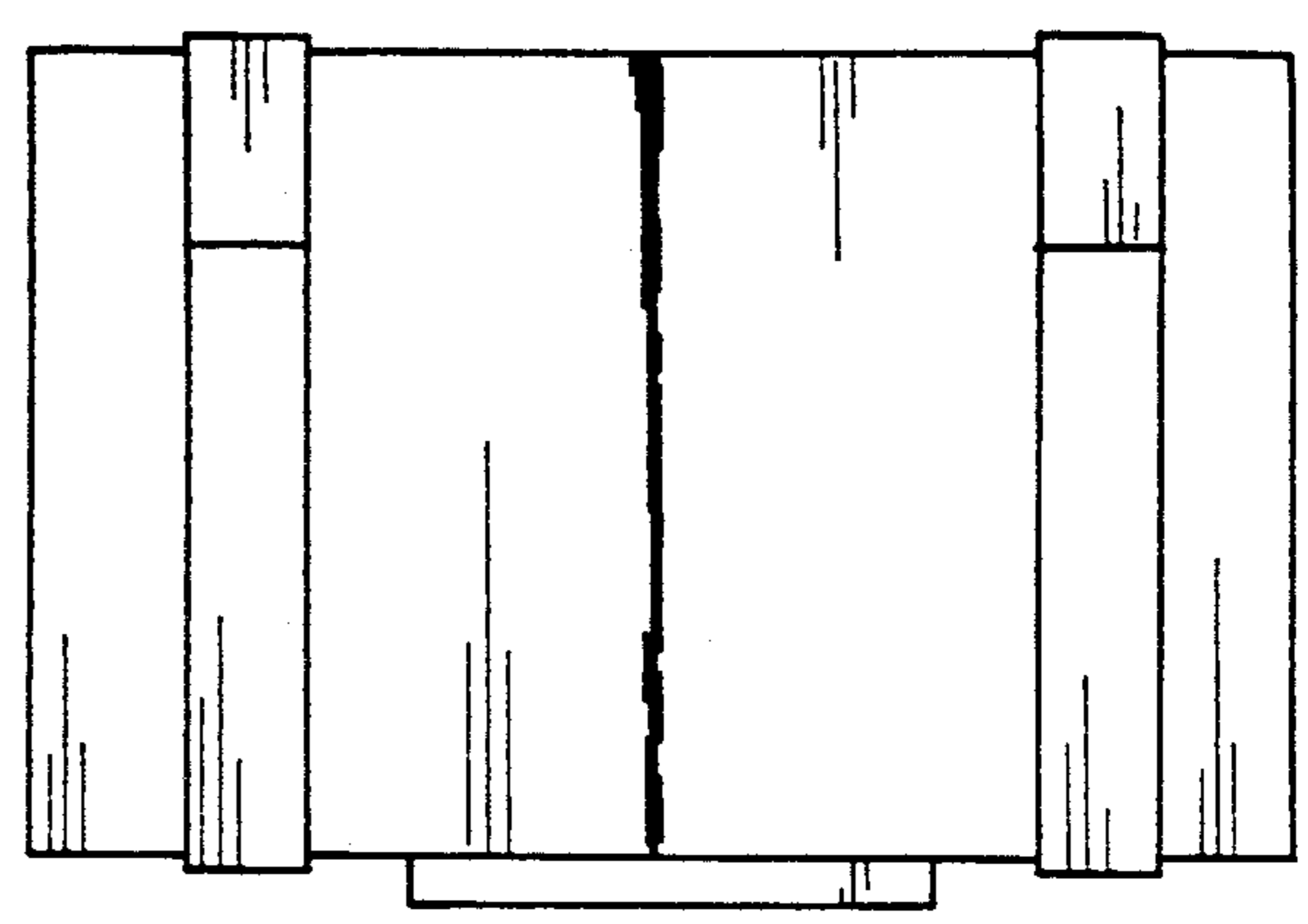


FIG. 8

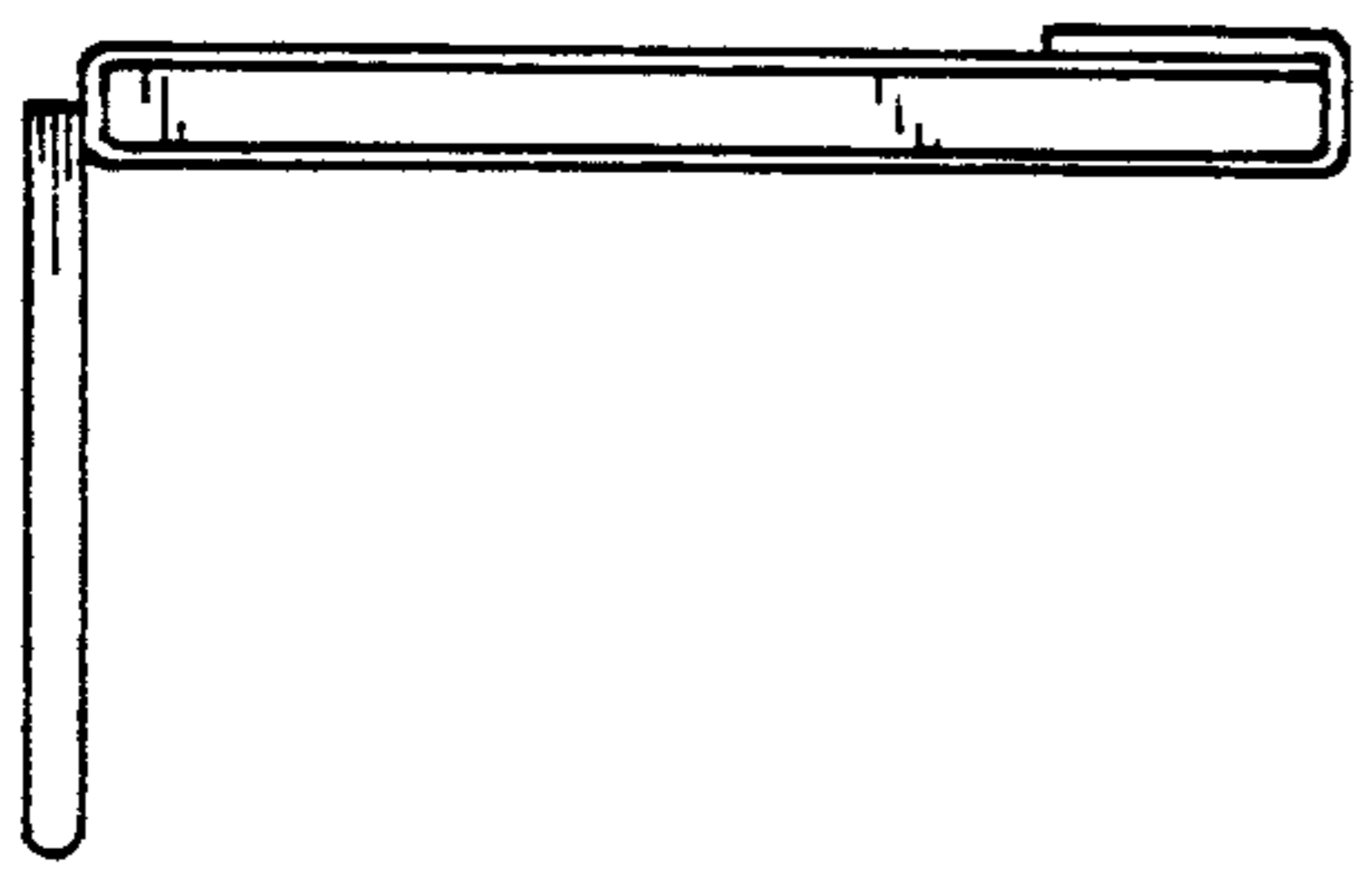


FIG. 10

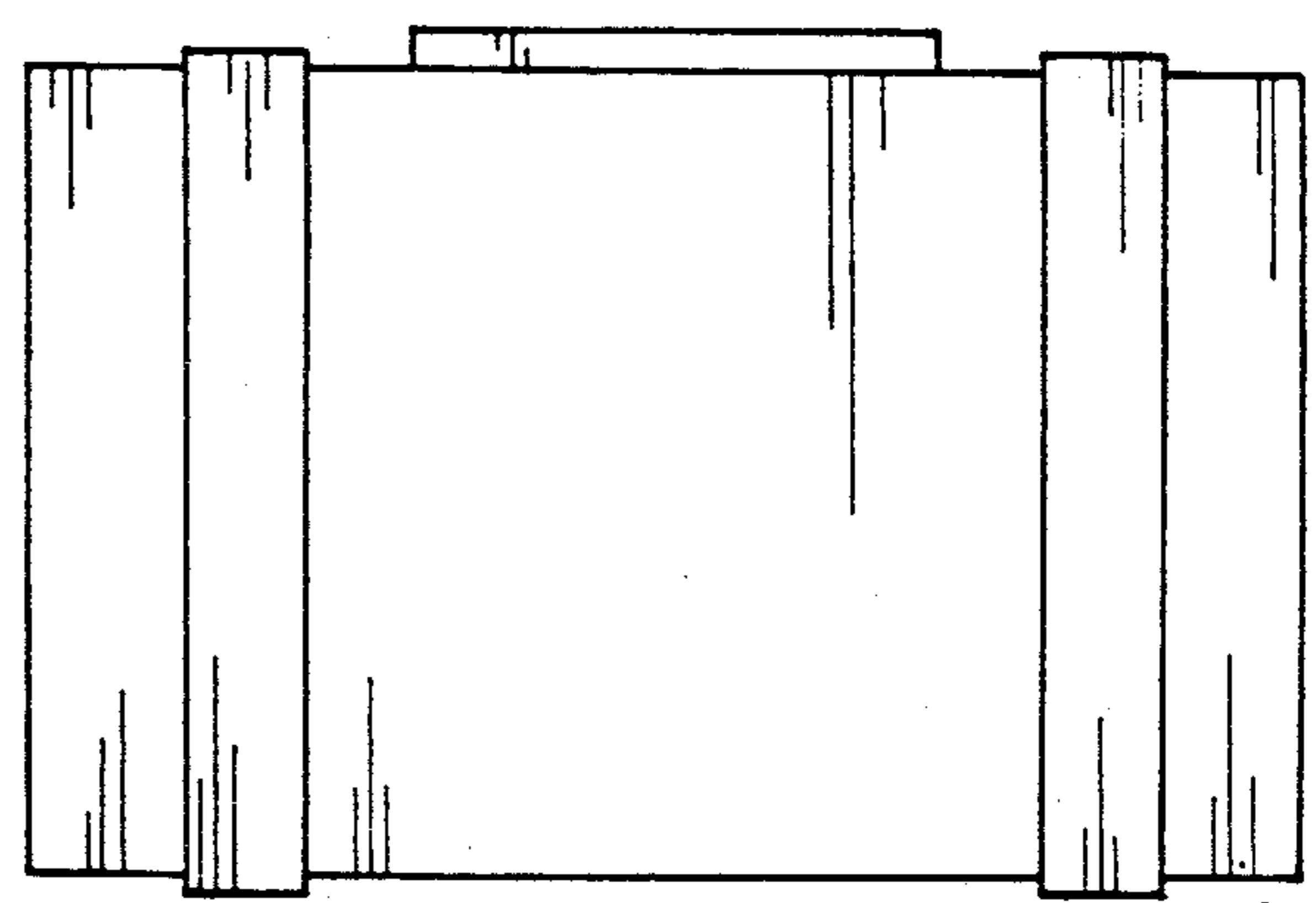


FIG. 11

