

[54] CHAISE LONGUE

[75] Inventor: Paul J. Zanki, Geebung, Australia

[73] Assignee: Qfoam Pty. Ltd., Geebung, Australia

[\*\*] Term: 14 Years

[21] Appl. No.: 278,150

[22] Filed: Nov. 30, 1988

[30] Foreign Application Priority Data

May 31, 1988 [AU] Australia ..... 1794/88

[52] U.S. Cl. .... D6/361; D6/390

[58] Field of Search ..... D6/334, 349, 361, 377, D6/390, 500

[56] References Cited

U.S. PATENT DOCUMENTS

- D. 67,610 6/1925 Meyer ..... D6/390 X
- D. 87,579 8/1932 Hoey ..... D6/361
- D. 166,585 4/1952 Bell ..... D6/361
- D. 183,287 7/1958 Maurer ..... D6/334

- D. 249,304 9/1978 Nash ..... D6/361
- D. 252,489 7/1979 Petersilie ..... D6/361
- D. 269,482 6/1983 Ungaro ..... D6/361
- D. 274,576 7/1984 Tiffany ..... D6/349 X
- 3,893,731 7/1975 Maggs ..... D6/377 X

OTHER PUBLICATIONS

*Furniture South*, p. 157, Lounge at top left.

*Domus*, 1/1978, p. 64, Pair of Chairs at bottom left.

*Primary Examiner*—Bruce W. Dunkins

*Assistant Examiner*—Gary D. Watson

*Attorney, Agent, or Firm*—Kimmel, Crowell & Weaver

[57] CLAIM

The ornamental design for a chaise longue, as shown.

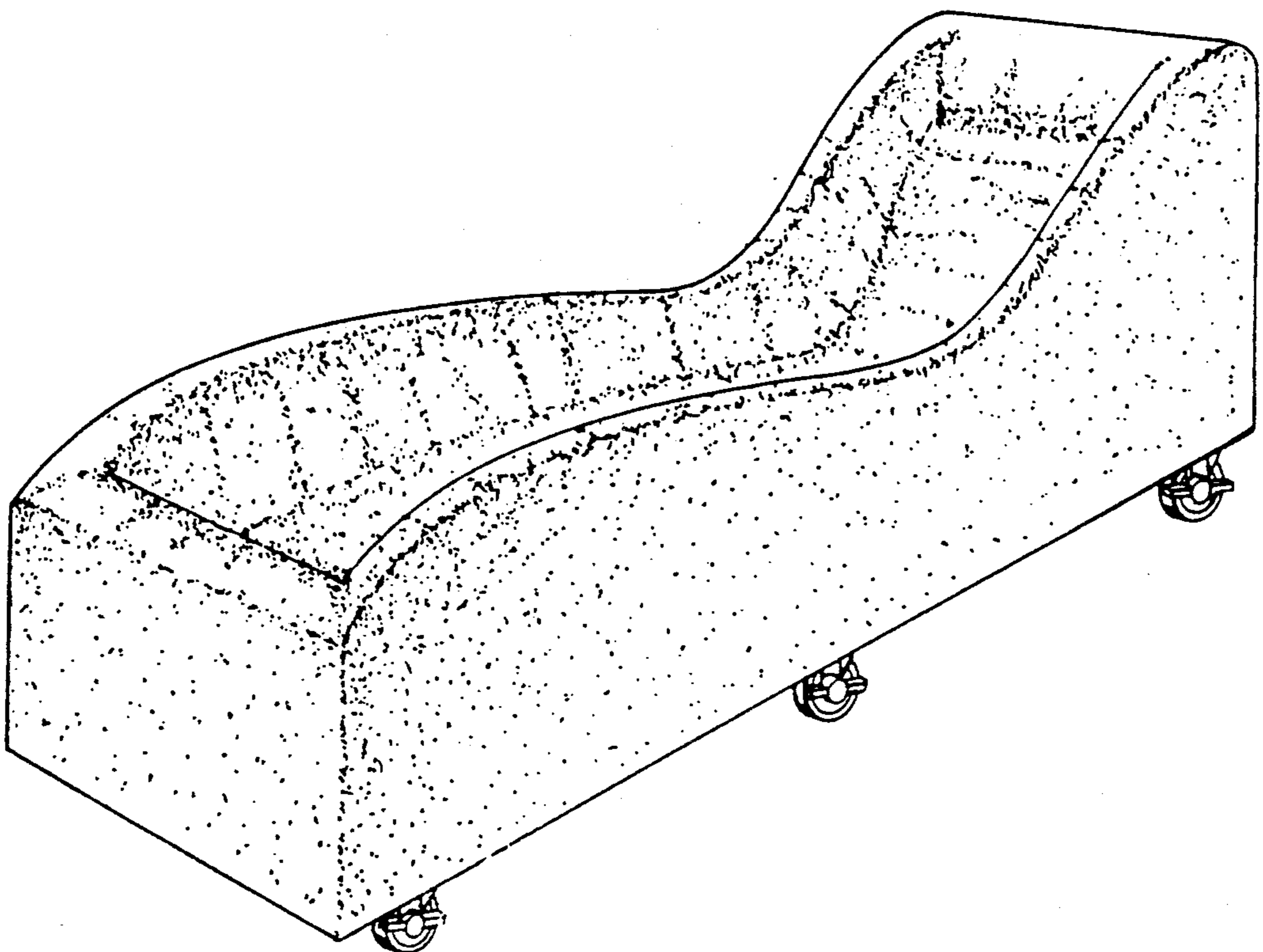
DESCRIPTION

FIG. 1 is a left side elevational view of a chaise longue showing my new design;

FIG. 2 is a top plan view;

FIG. 3 is a front and side perspective view thereof; and

FIG. 4 is a rear and side perspective view thereof.



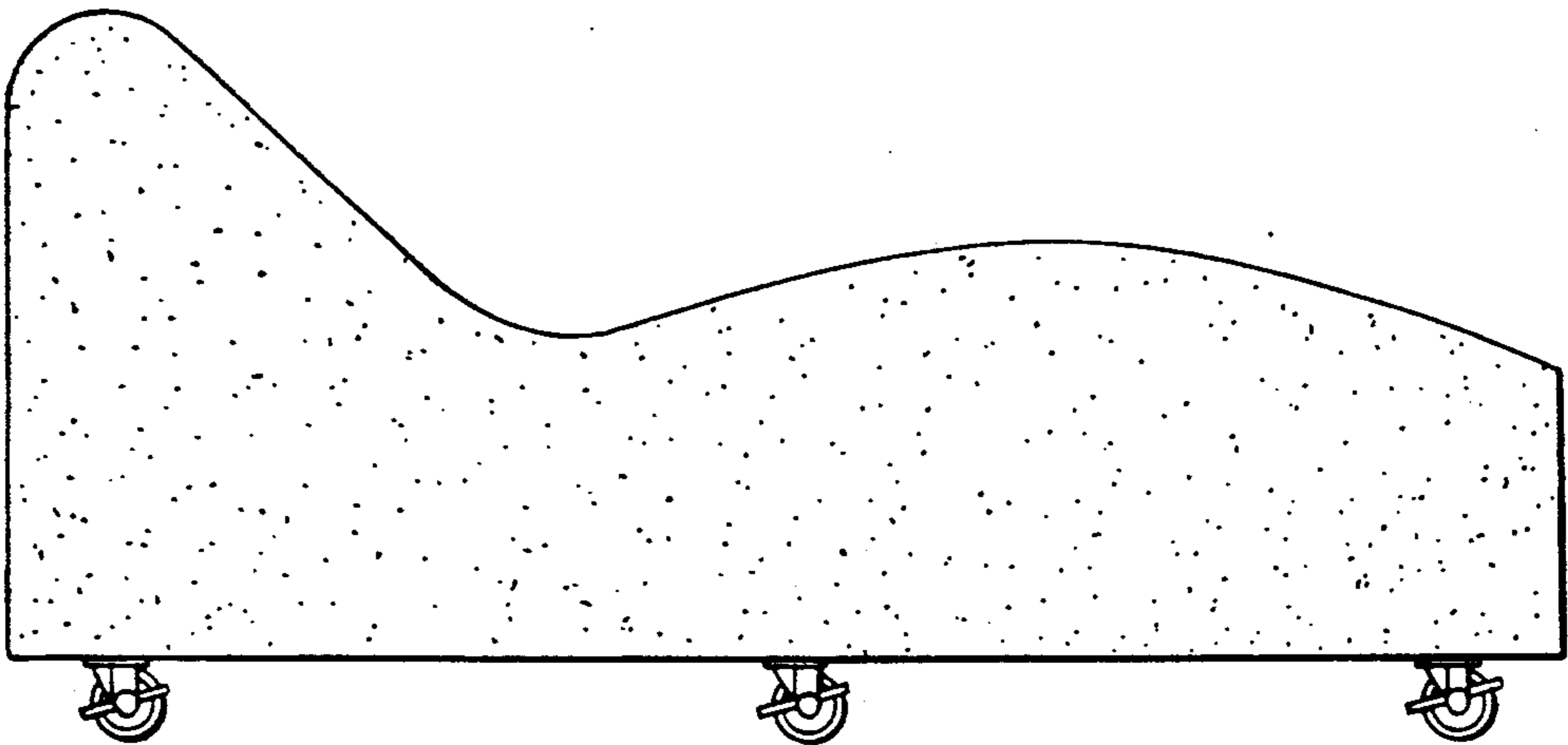


FIG. 1.

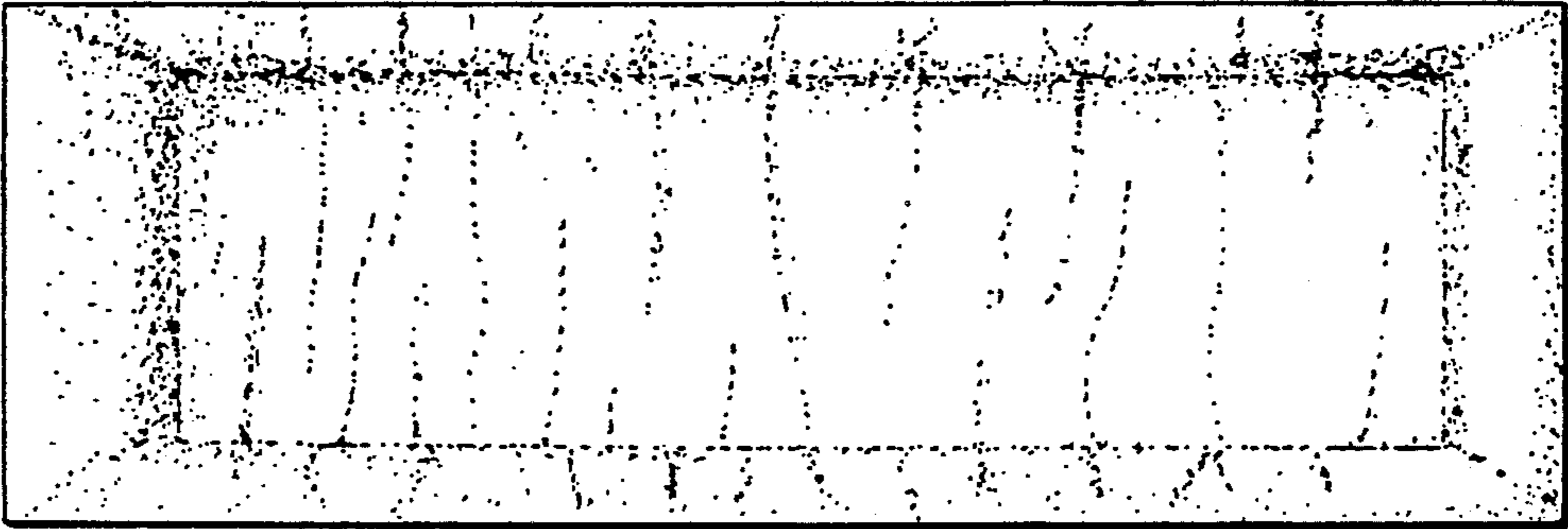


FIG. 2.

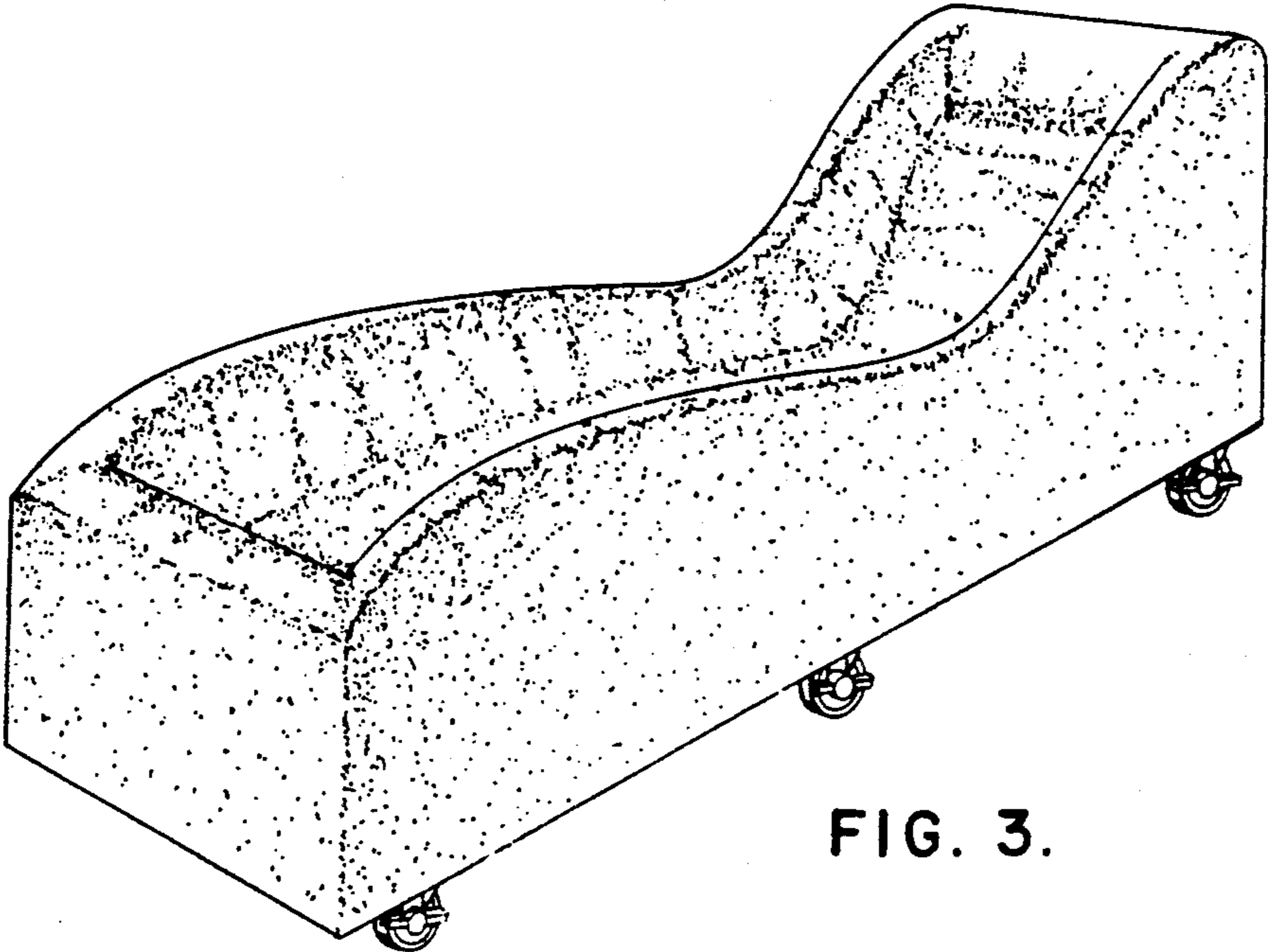


FIG. 3.

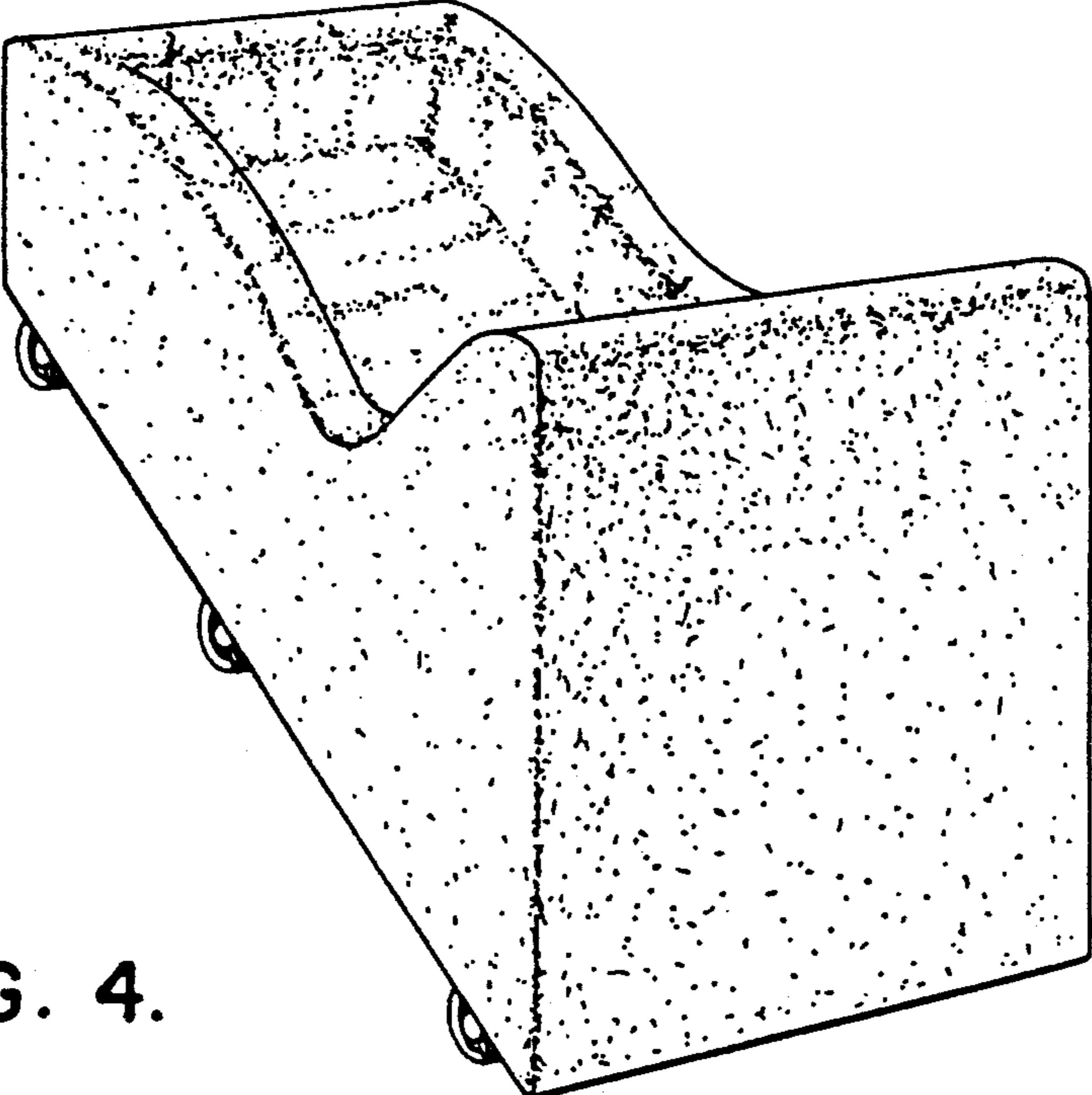


FIG. 4.