

[54] THEATER SEAT

[75] Inventor: James W. Brennan, Bankstown, Australia

[73] Assignee: Sebel Furniture Limited, Bankstown, Australia

[**] Term: 14 Years

[21] Appl. No.: 129,102

[22] Filed: Dec. 4, 1987

[52] U.S. Cl. D6/362

[58] Field of Search D6/381, 362, 379, 376

[56] References Cited

U.S. PATENT DOCUMENTS

- D. 169,473 5/1953 Brulin et al. D6/356
- D. 186,105 9/1959 Dietz et al. D6/356
- D. 198,783 8/1964 Barecki D6/356
- D. 206,533 12/1966 Ducharme D6/362
- D. 225,193 11/1972 Barecki D6/356
- D. 261,334 10/1981 Light .

OTHER PUBLICATIONS

Sweets Architectural File, vol. 11, dated 1975, Section 12.5/AM, Chair No. 406.

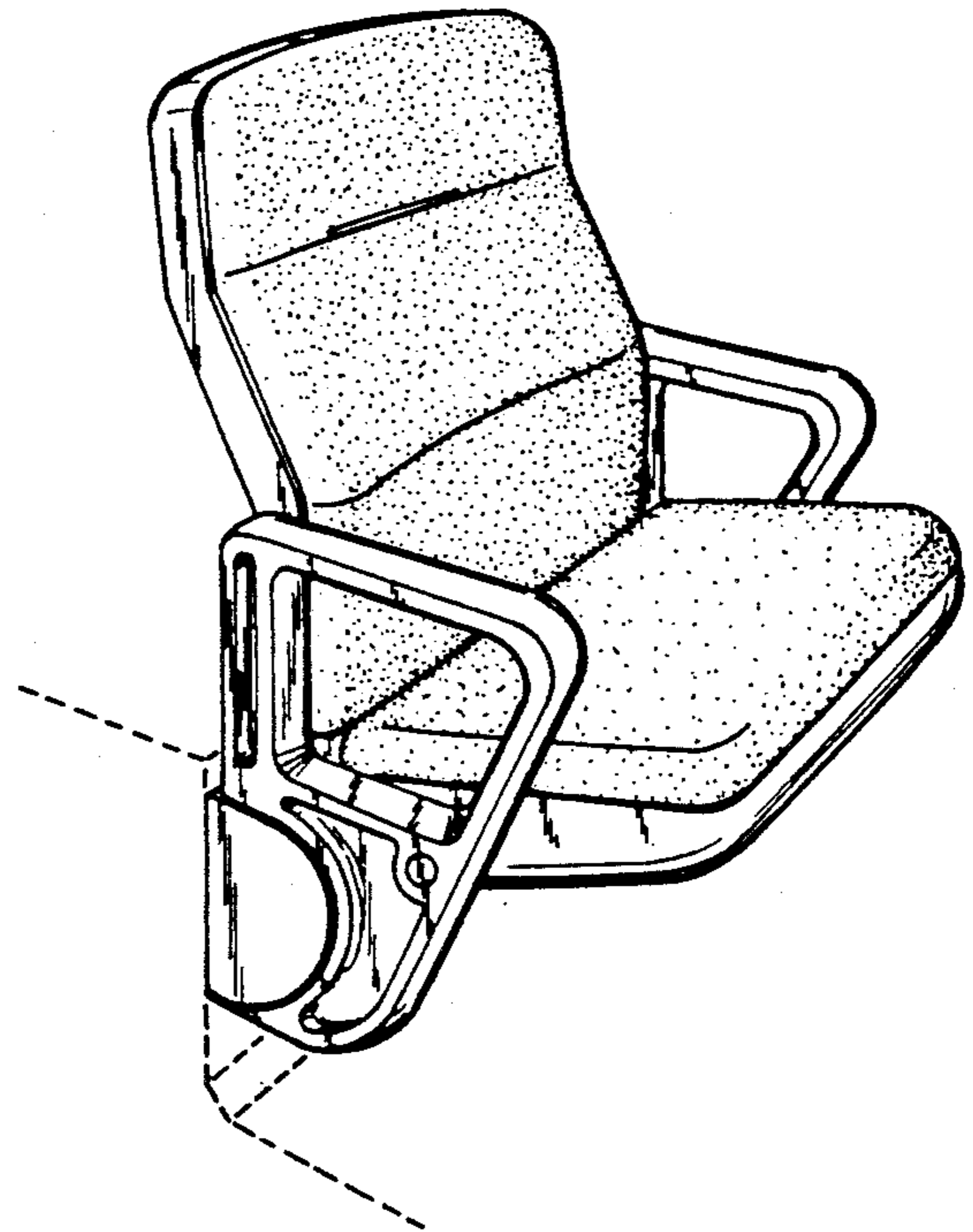
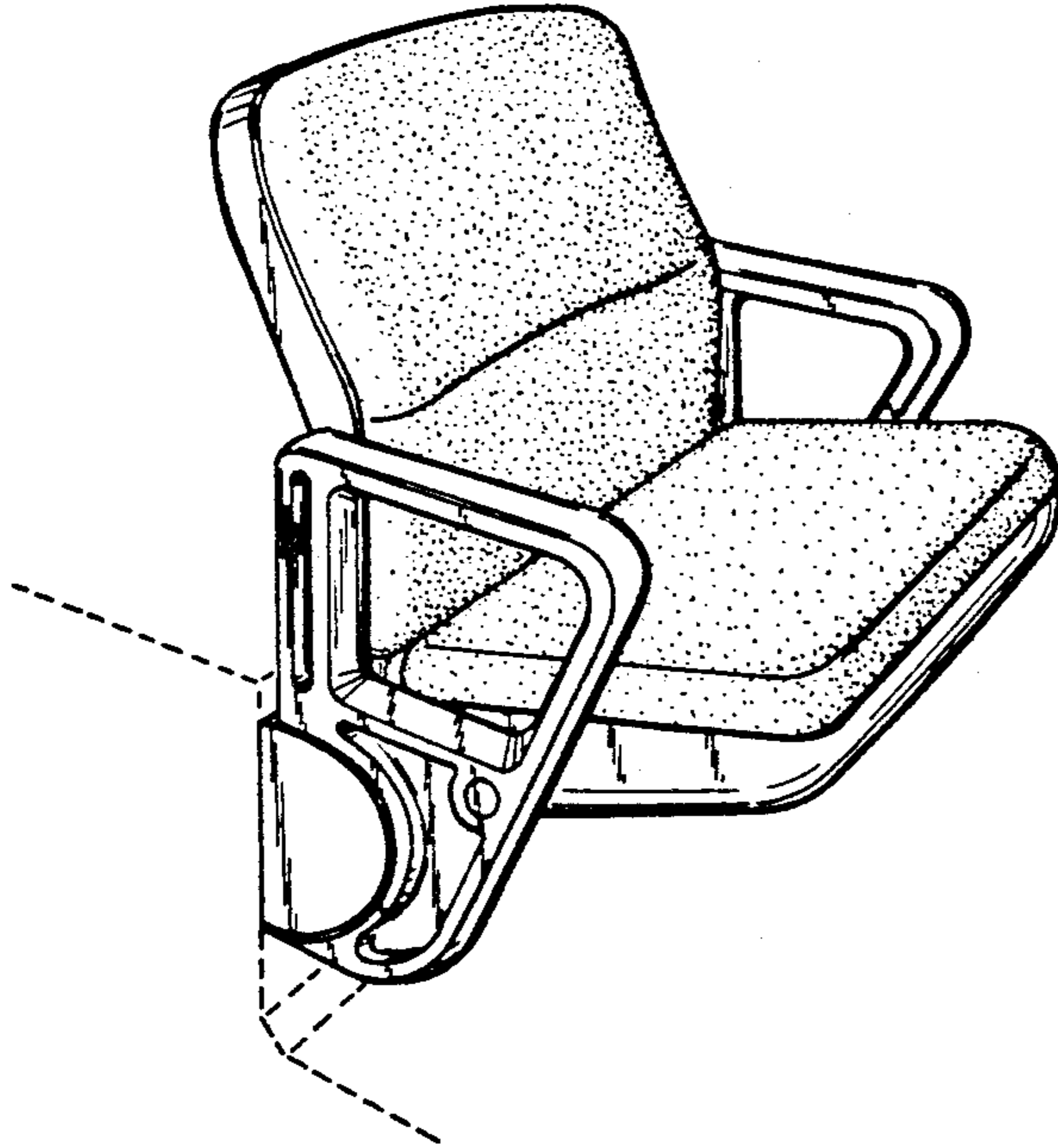
Primary Examiner—Nelson C. Holtje
Assistant Examiner—J. H. Musgrove
Attorney, Agent, or Firm—Townsend and Townsend

[57] CLAIM

The ornamental design for a theater seat, as shown.

DESCRIPTION

FIG. 1 is a left front perspective view of a theater set showing my new design;
 FIG. 2 is a top and left - rear perspective view;
 FIG. 3 is a rear elevational view;
 FIG. 4 is a front elevational view;
 FIG. 5 is a right side elevational view;
 FIG. 6 is a left front perspective view of a second embodiment of my new design of FIGS. 1-5;
 FIG. 7 is a top and left - rear perspective view;
 FIG. 8 is a rear elevational view;
 FIG. 9 is a front elevational view;
 FIG. 10 is a left side elevational view thereof.



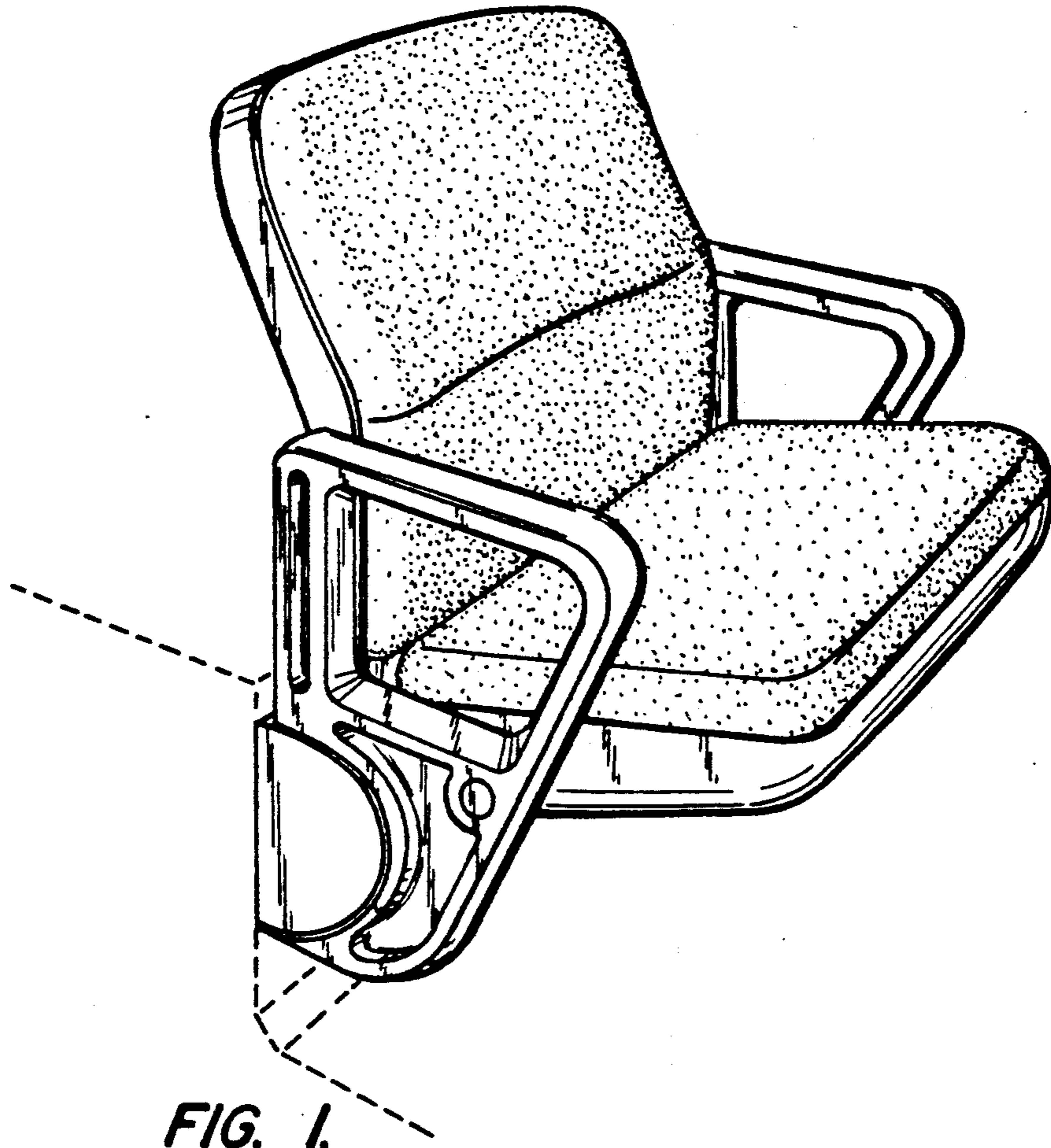


FIG. 1.

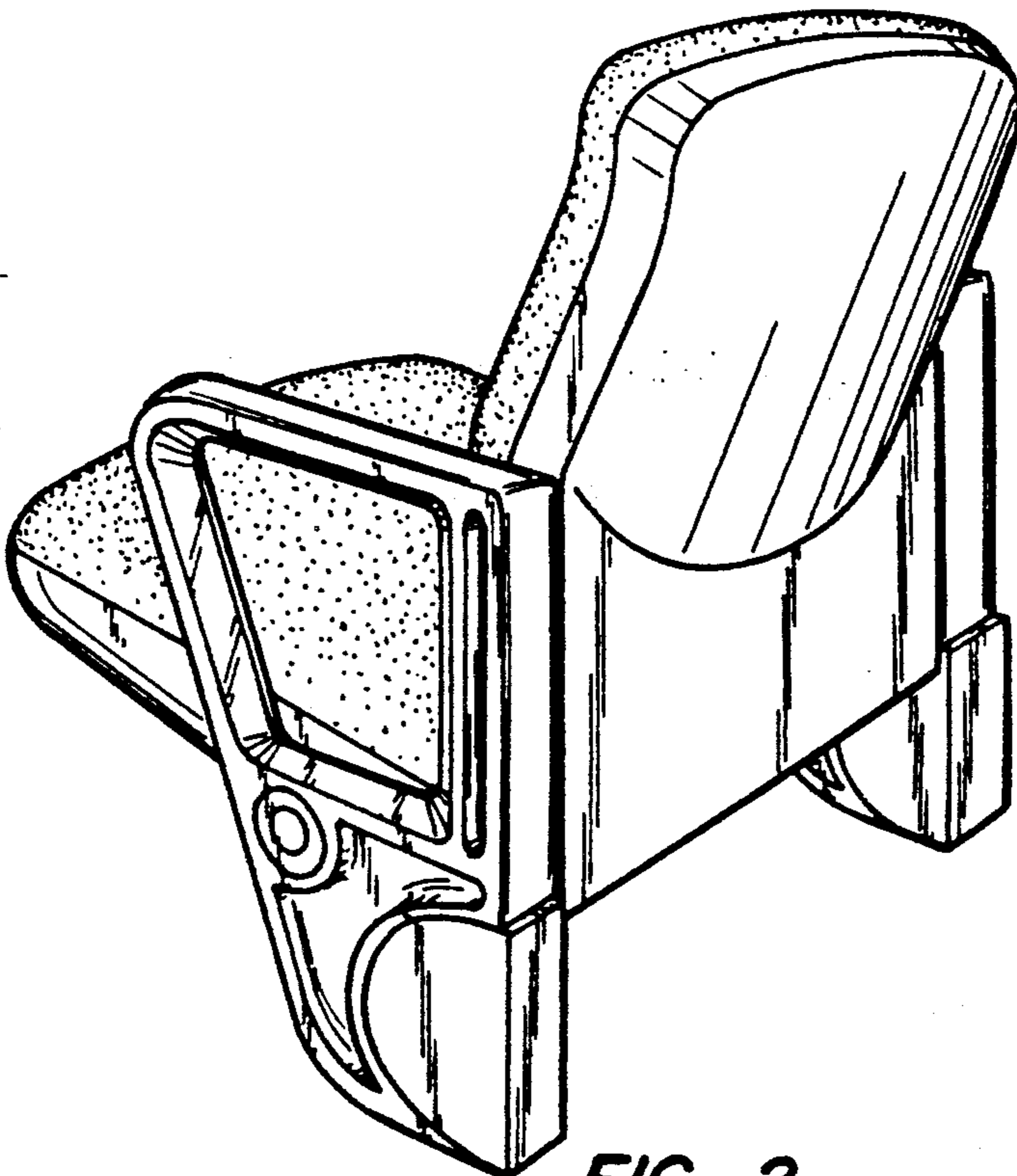


FIG. 2.

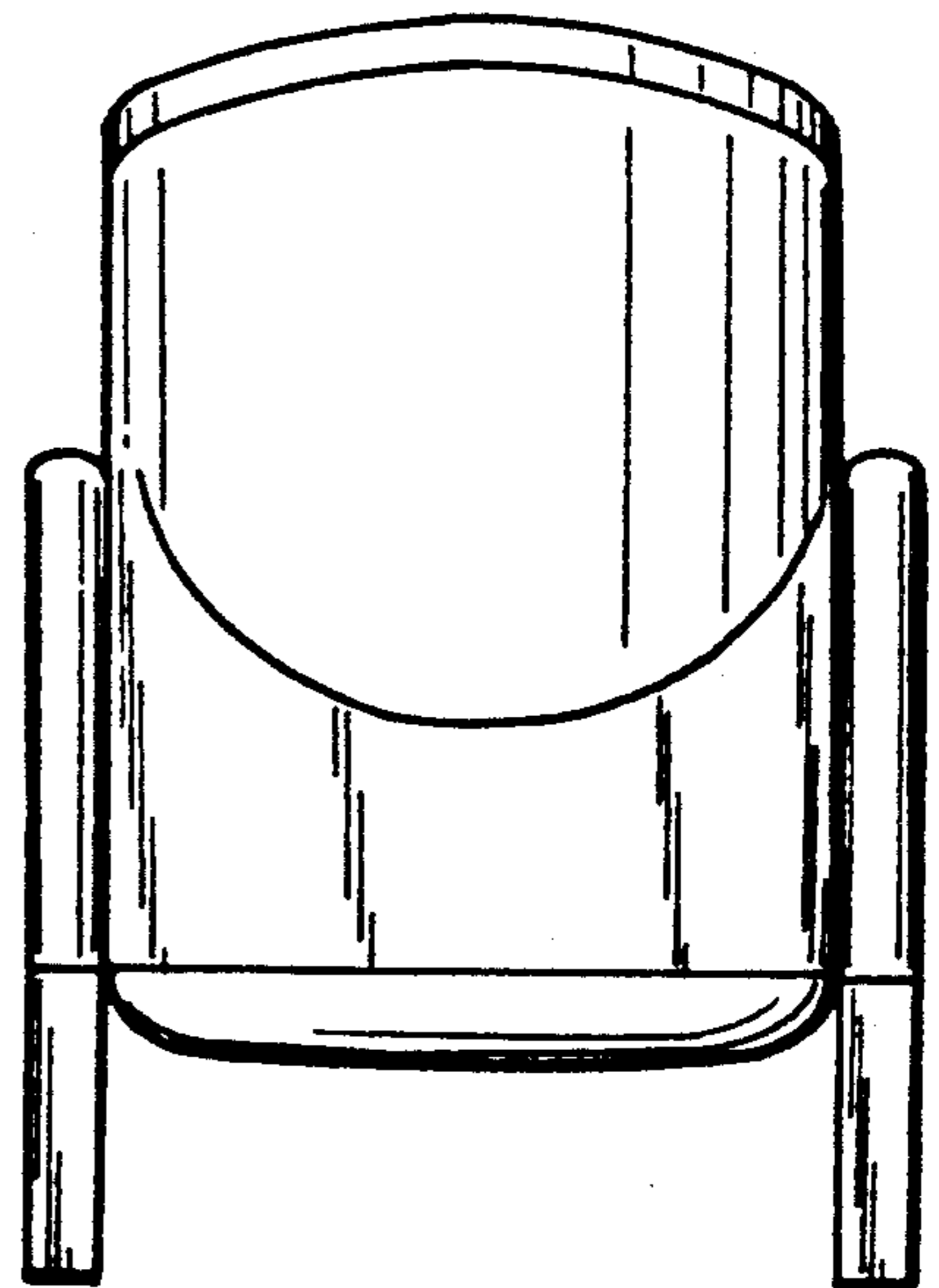


FIG. 3.

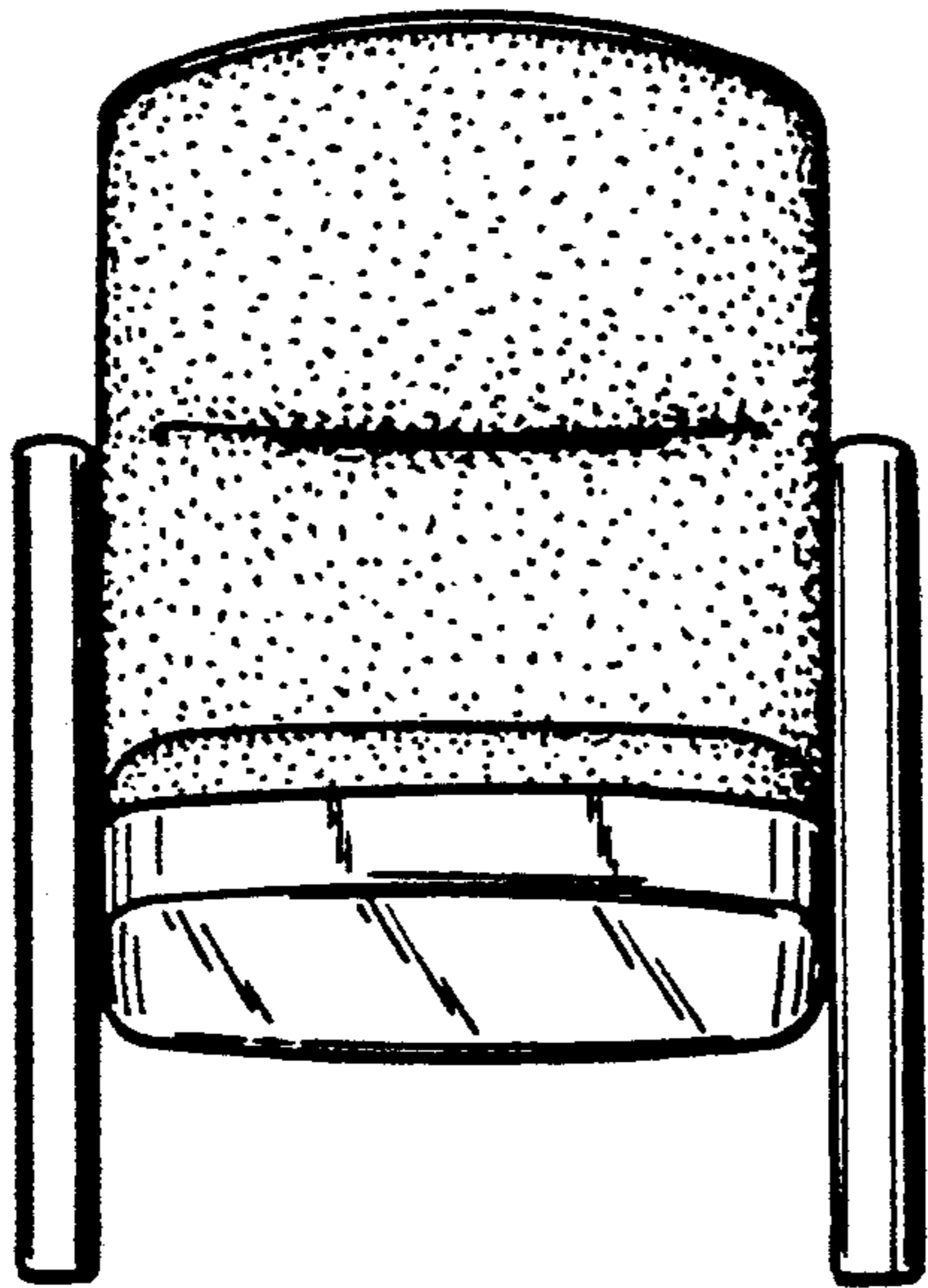


FIG. 4.

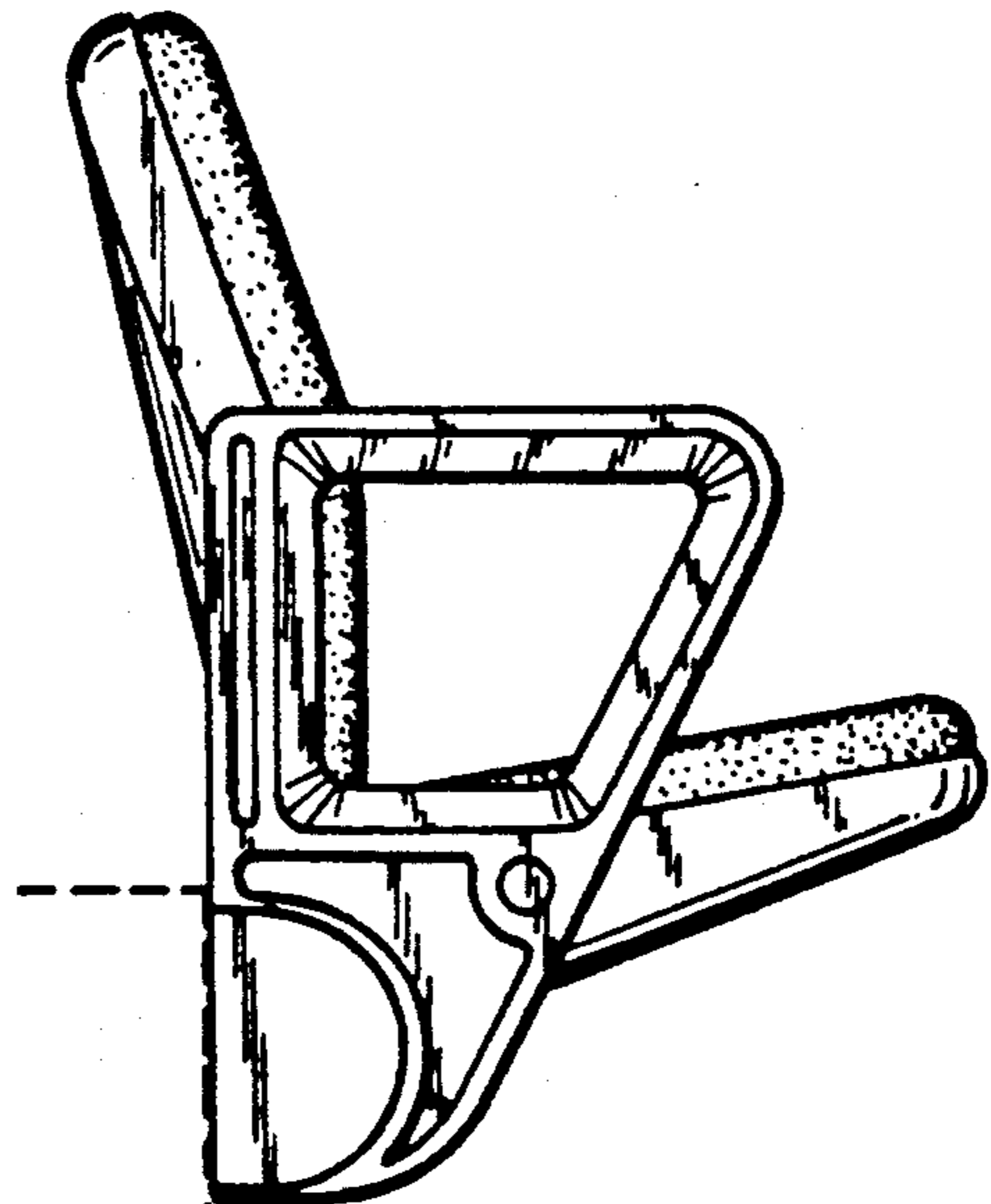


FIG. 5.

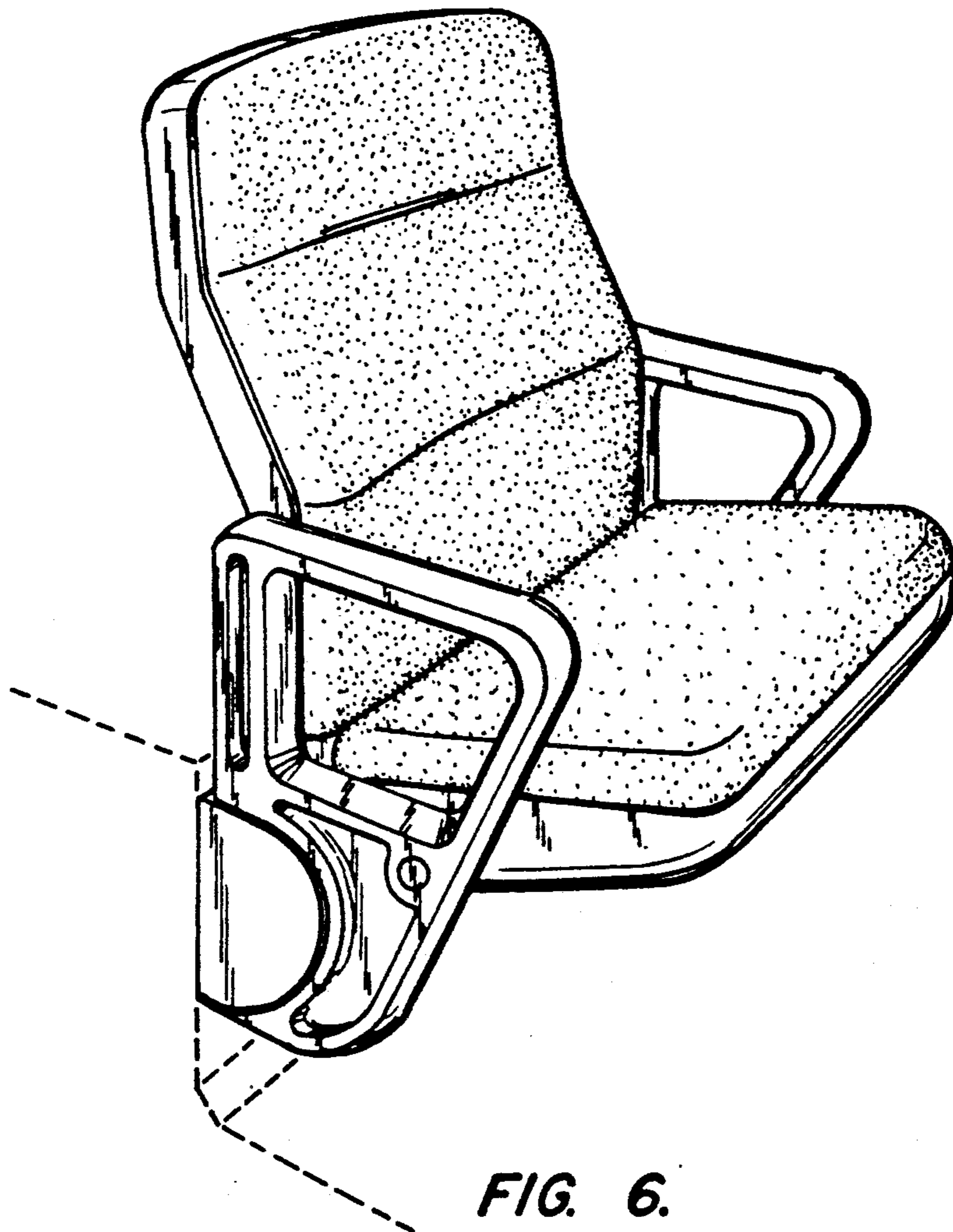


FIG. 6.

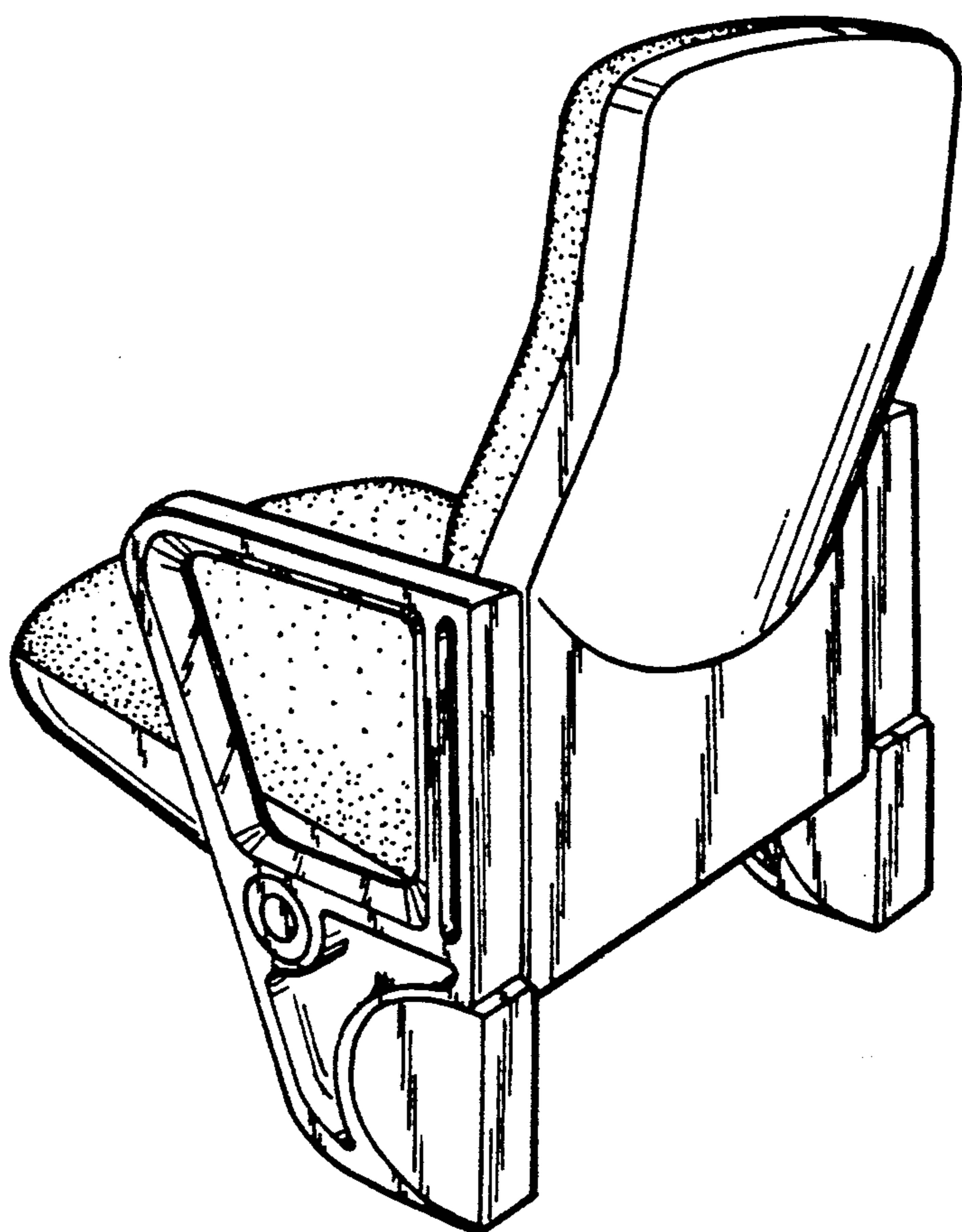


FIG. 7.

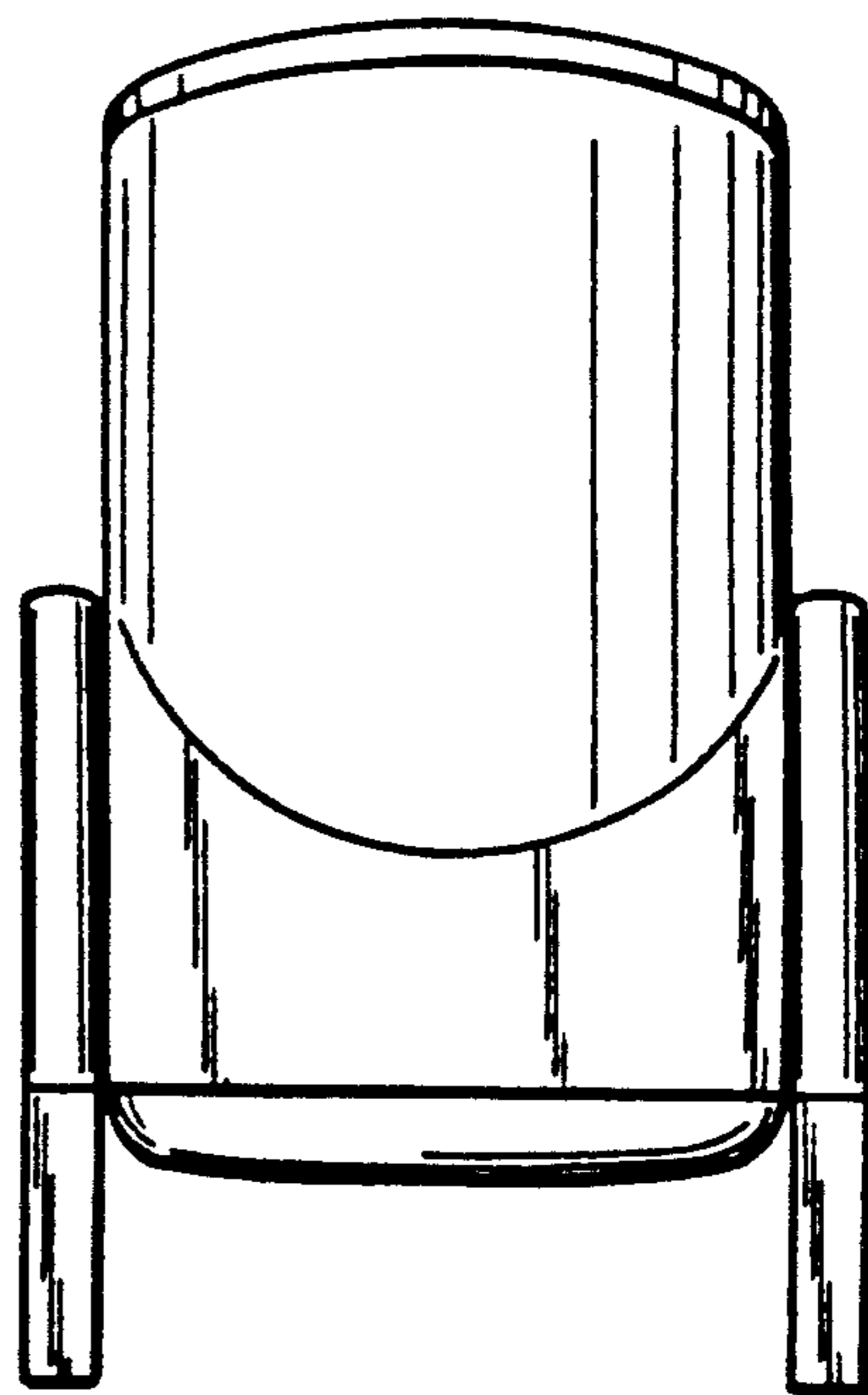


FIG. 8.

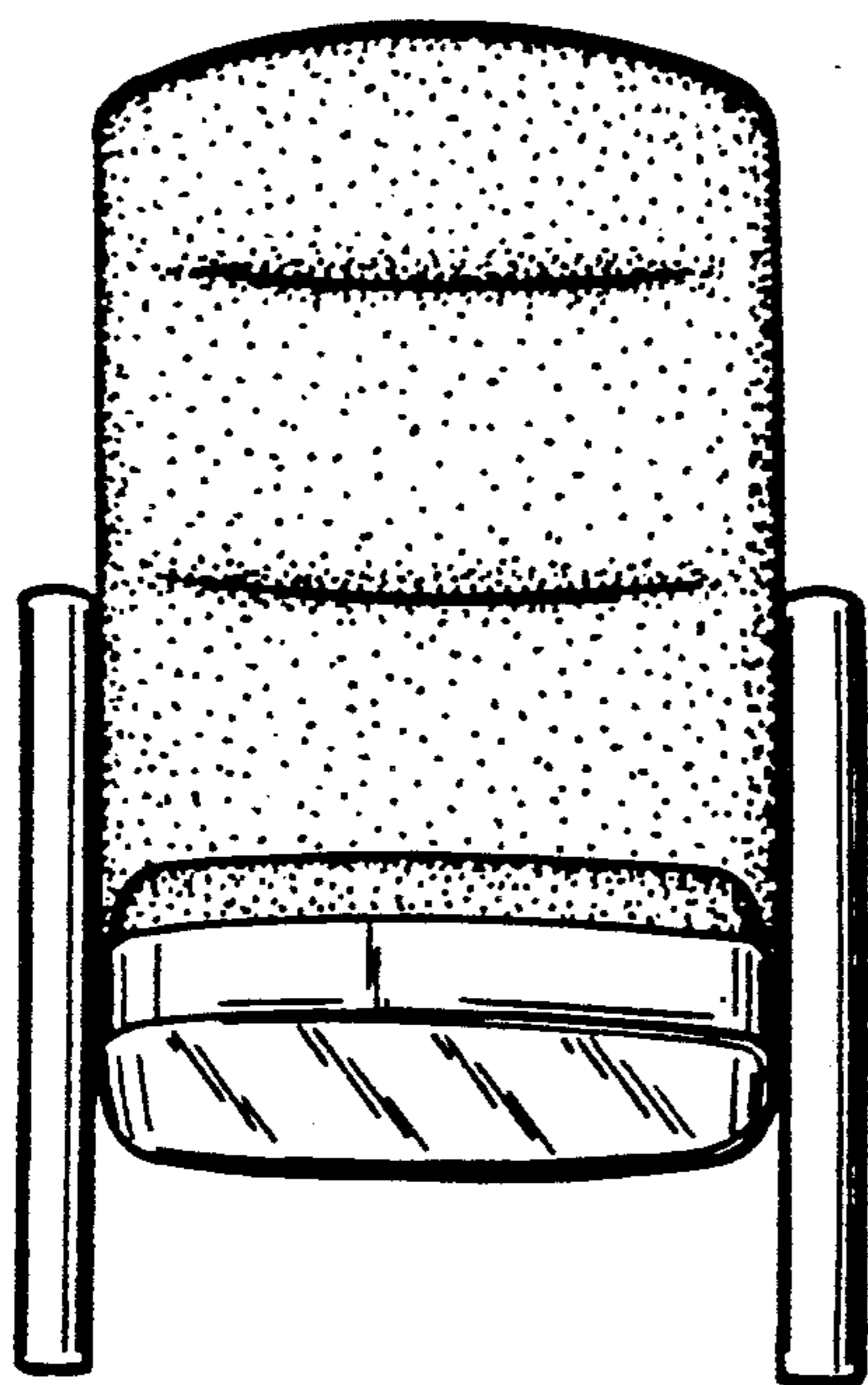


FIG. 9.

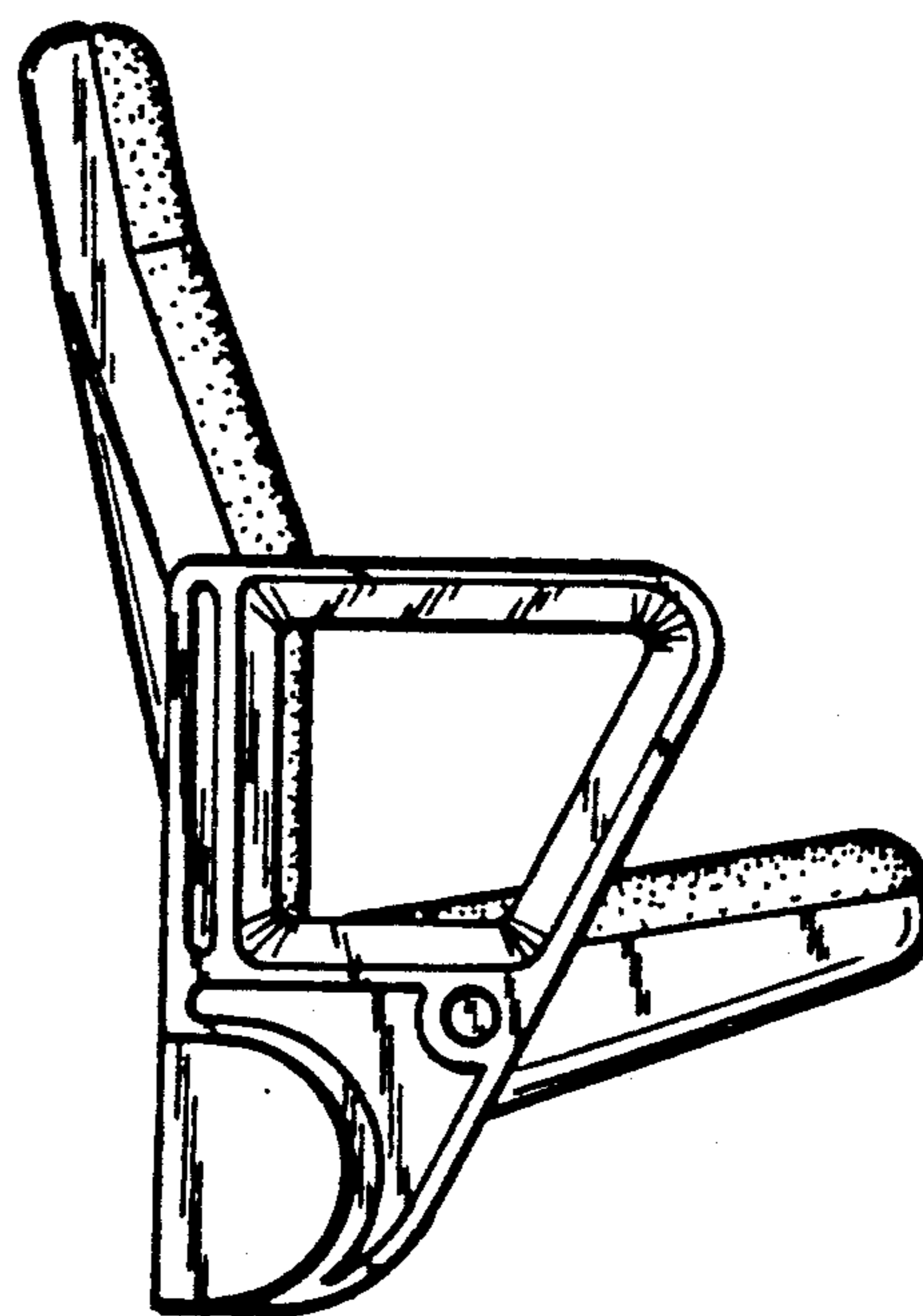


FIG. 10.