

[54] SHOE UPPER

[75] Inventor: Michael A. Aveni, Lake Oswego, Oreg.

[73] Assignees: Nike, Inc.; Nike International, Ltd., both of Beaverton, Oreg.

[\*\*] Term: 14 Years

[21] Appl. No.: 537,766

[22] Filed: Jun. 14, 1990

[52] U.S. Cl. .... D2/314; D2/309

[58] Field of Search ..... D2/264, 265, 308-314; 36/45, 83-92, 99-107, 112-116, 132, 136

[56] References Cited

U.S. PATENT DOCUMENTS

D. 227,822	7/1973	Askew .....	D2/309
D. 254,817	4/1980	Gonda .....	D2/309
D. 291,383	8/1987	Campbell et al. .	
D. 293,500	1/1988	Tong et al. .	
D. 295,576	5/1988	Selbiger .	
D. 295,578	5/1988	Tong .	
D. 295,688	5/1988	Brown et al. .	
D. 295,916	5/1988	Selbiger .	
D. 298,282	11/1988	Brown et al. .	
D. 299,081	12/1988	Greenberg .	
D. 299,283	1/1989	Selbiger .	
D. 300,181	3/1989	Jiminez .....	D2/314
D. 301,081	5/1989	Quan et al. .	
D. 301,388	6/1989	Miller et al. .	
D. 302,898	8/1989	Greenberg .....	D2/314
D. 303,038	8/1989	Clark .....	D2/314
D. 303,451	9/1989	Weiner .....	D2/313
D. 309,823	8/1990	Kilgore et al. ....	D2/314
4,451,996	6/1984	Norton et al. ....	36/129

OTHER PUBLICATIONS

Nike Spring 1989 Catalog, pp. 28, 30, 32, 34, 36 and 38, published Jun. 1988.

Nike Fall 1988 Catalog, pp. 24, 26, 28, 30, 32, 34, 36 and 38, published Jan. 1988.

Primary Examiner—Louis S. Zarfes  
Attorney, Agent, or Firm—Banner, Birch, McKie & Beckett

[57] CLAIM

The ornamental design for a shoe upper, as shown and described.

DESCRIPTION

FIG. 1 is a side elevational view of one side of a shoe upper showing a first embodiment of my new design; FIG. 2 is a side elevational view of the other side of the shoe upper shown in FIG. 1;

FIG. 3 is a front elevational view of the shoe upper shown in FIG. 1;

FIG. 4 is a rear elevational view of the shoe upper shown in FIG. 1;

FIG. 5 is a top plan view of the shoe sole upper shown in FIG. 1;

FIG. 6 is a side elevational view of one side of a shoe upper showing another embodiment of my new design;

FIG. 7 is a side elevational view of the other side of the shoe upper shown in FIG. 6;

FIG. 8 is a front elevational view of the shoe upper shown in FIG. 6;

FIG. 9 is a rear elevational view of the shoe upper shown in FIG. 6; and

FIG. 10 is a top plan view of the shoe upper shown in FIG. 6.

The broken line showing of a shoe sole, including the cupped vertical sides of the sole, is for illustrative purposes and forms no part of the claimed design.

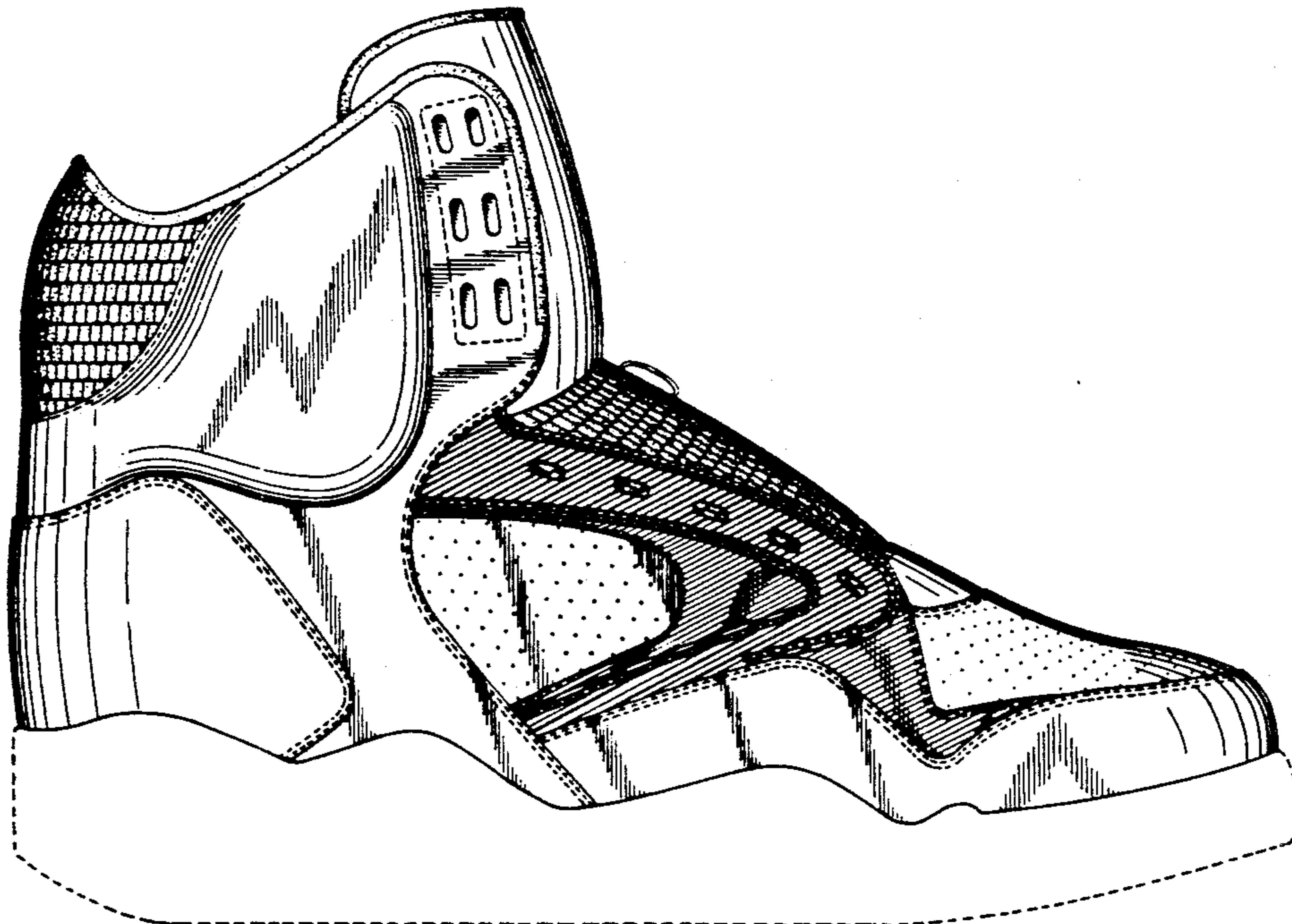
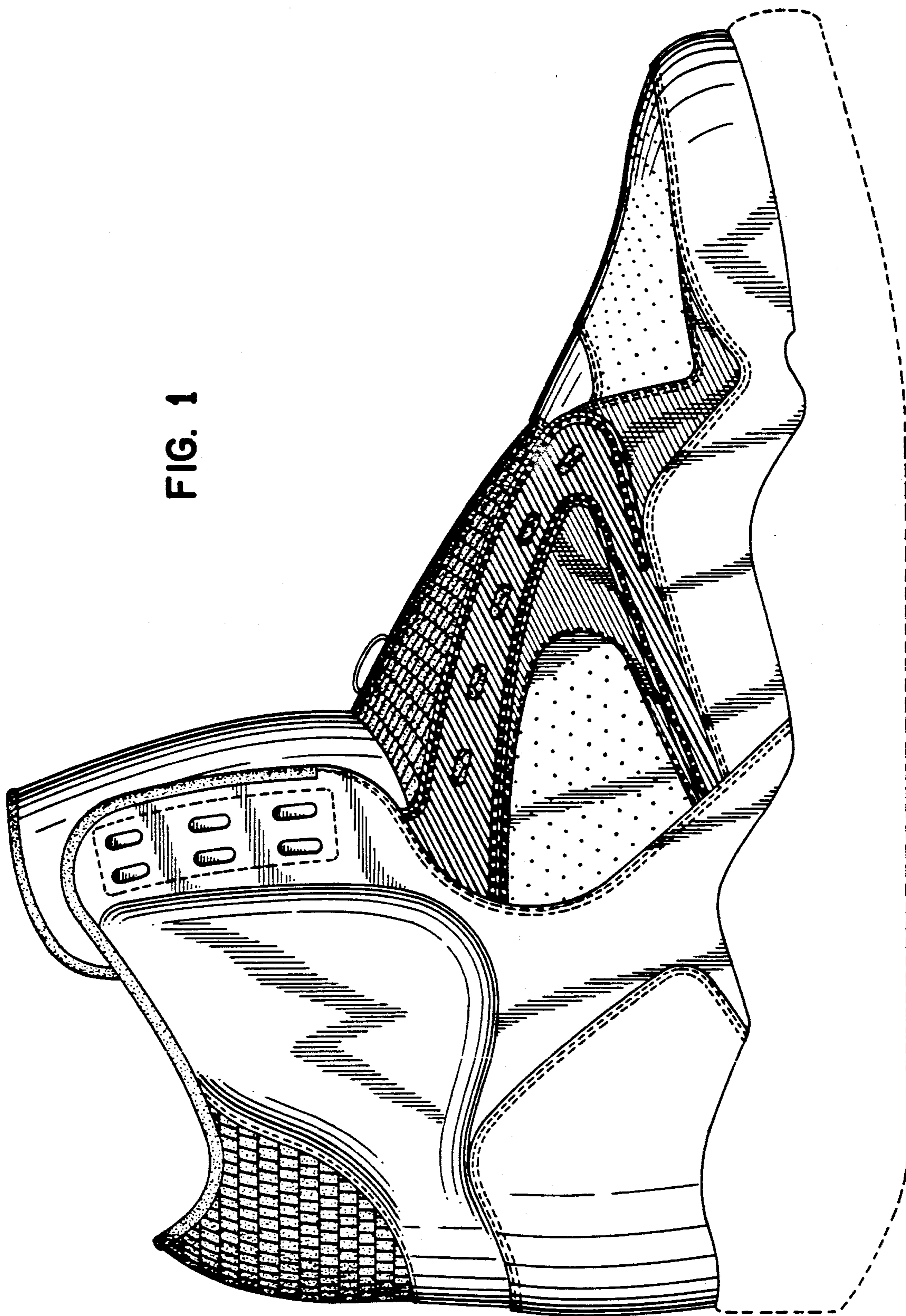


FIG. 1





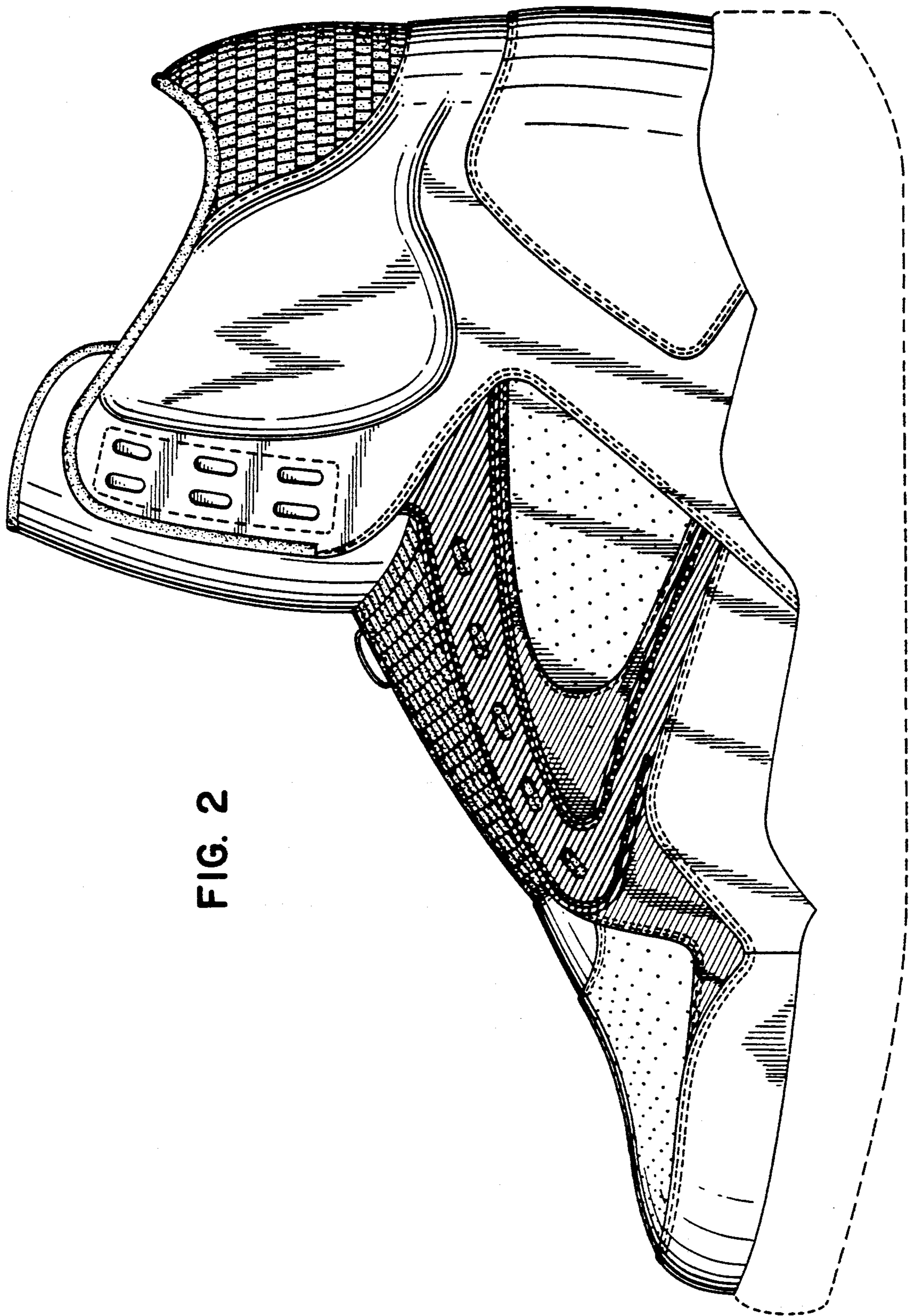


FIG. 2

FIG. 4

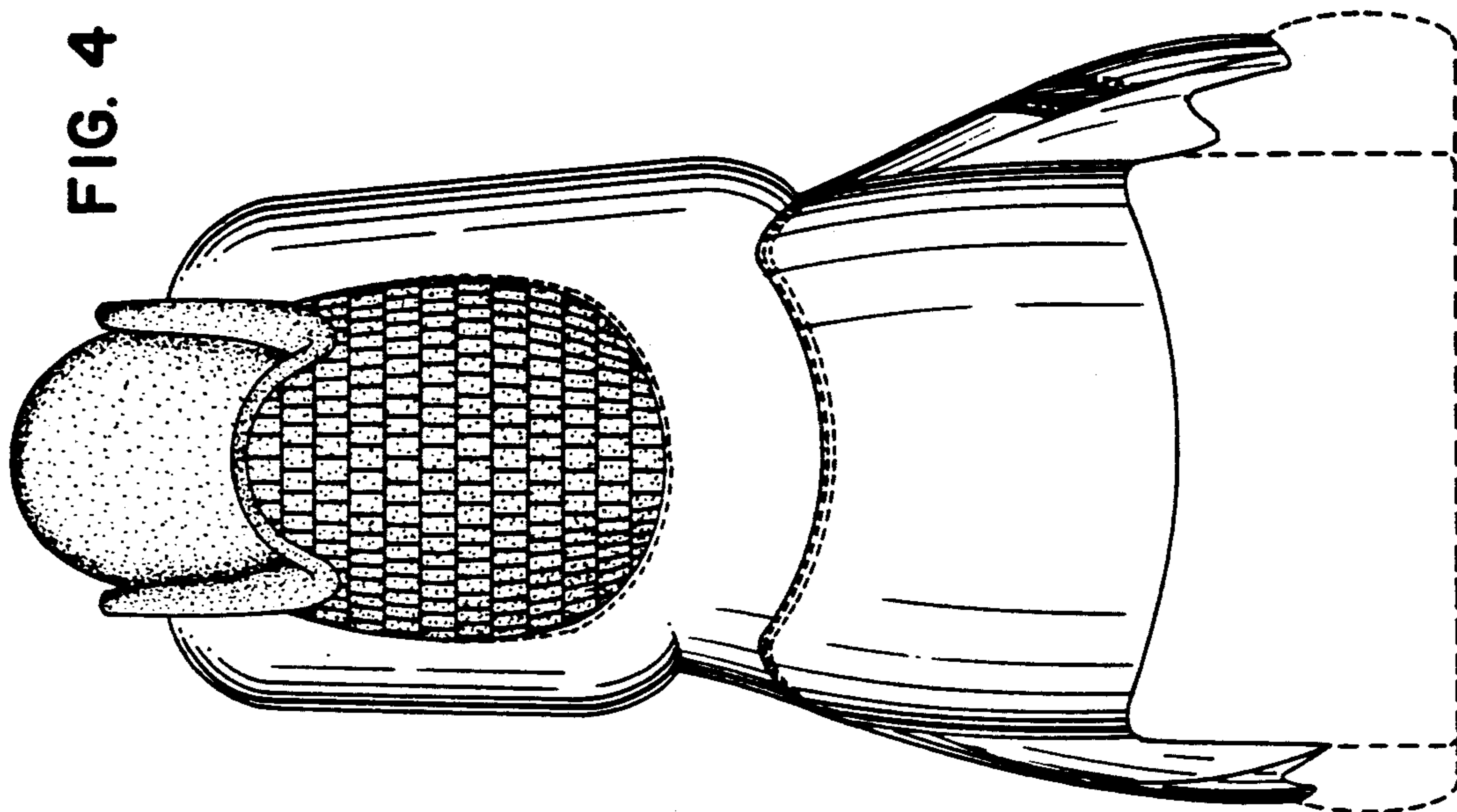


FIG. 3

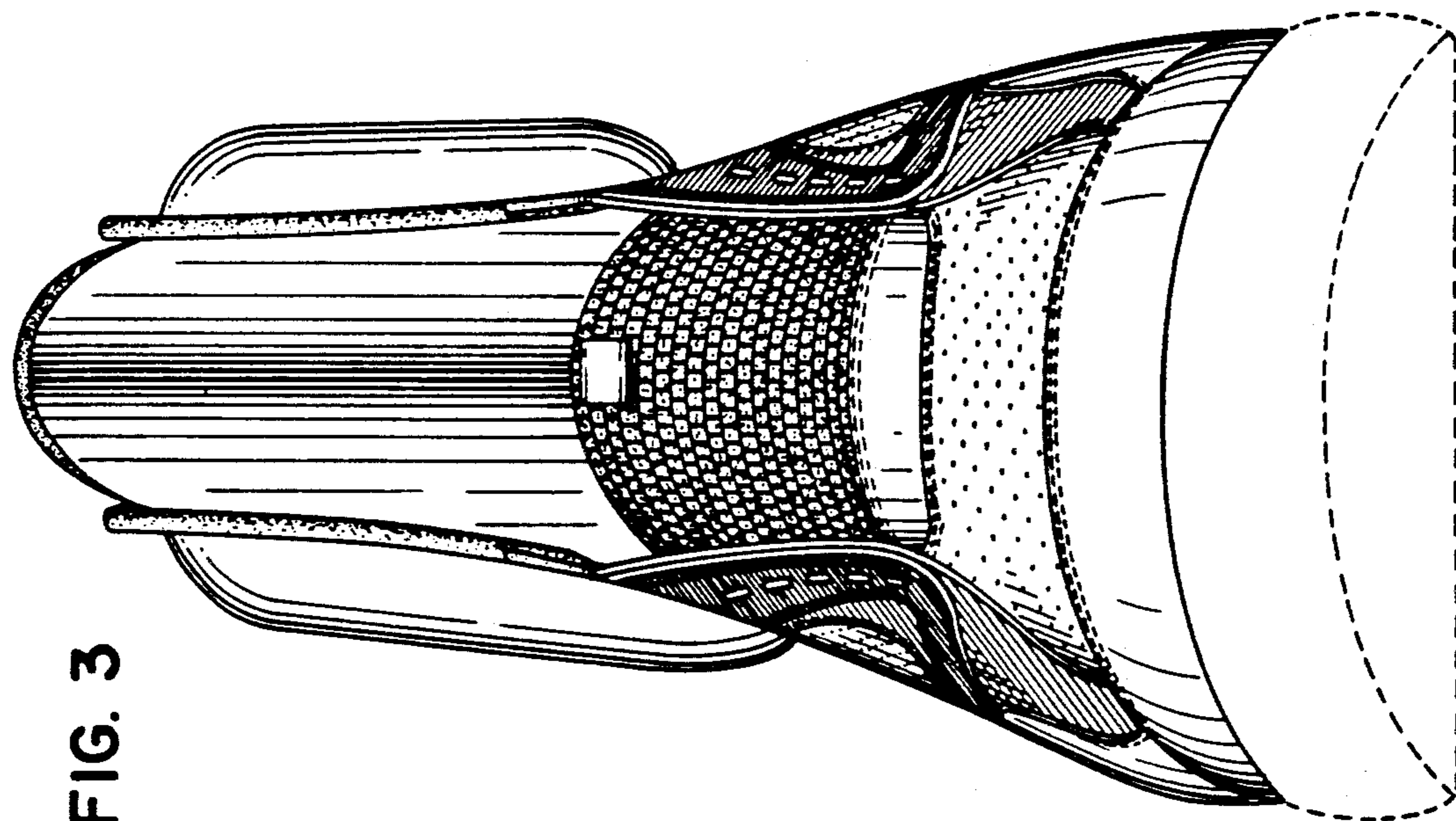




FIG. 5

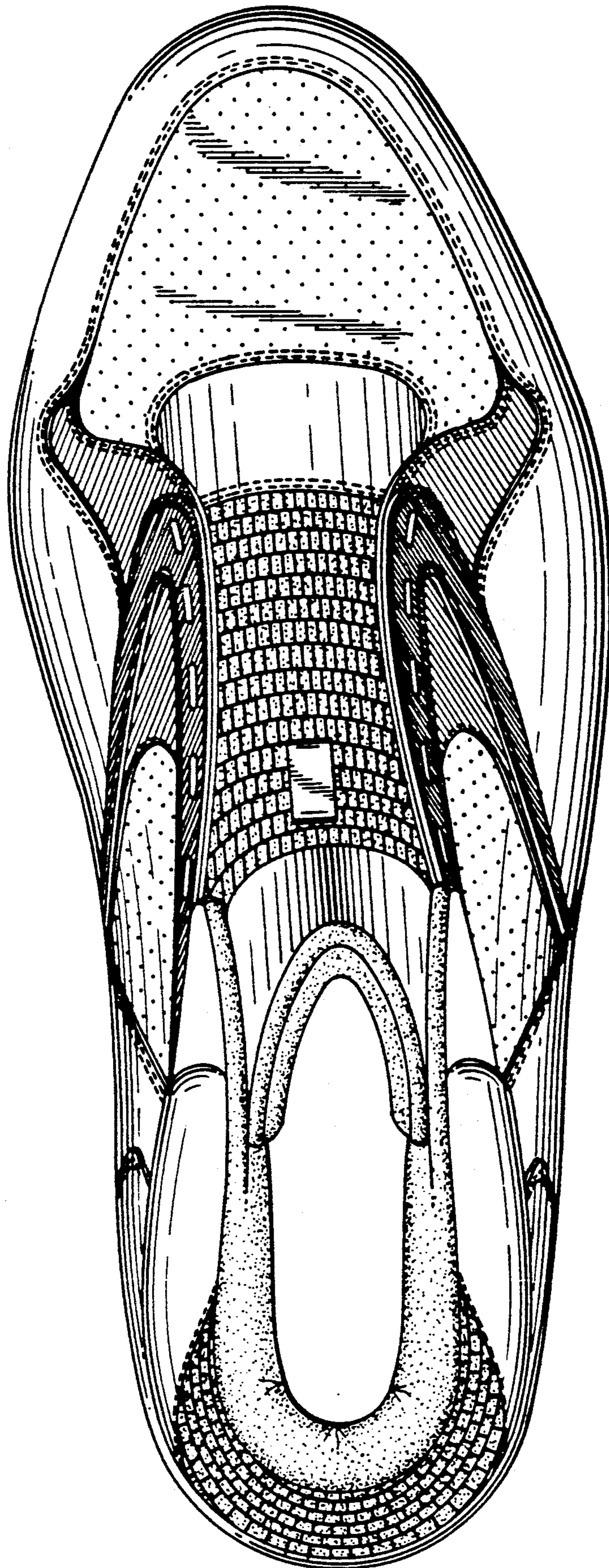
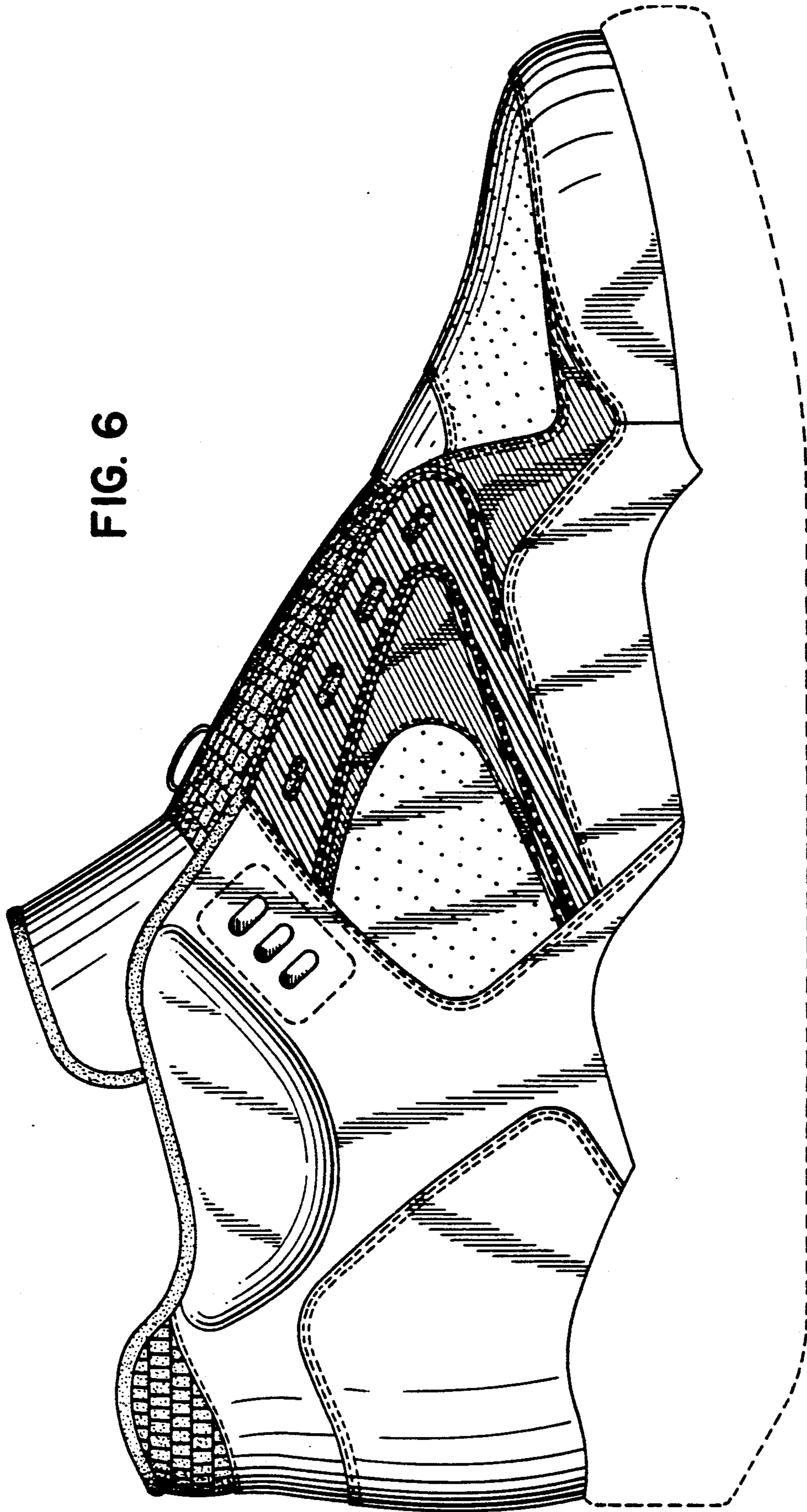


FIG. 6





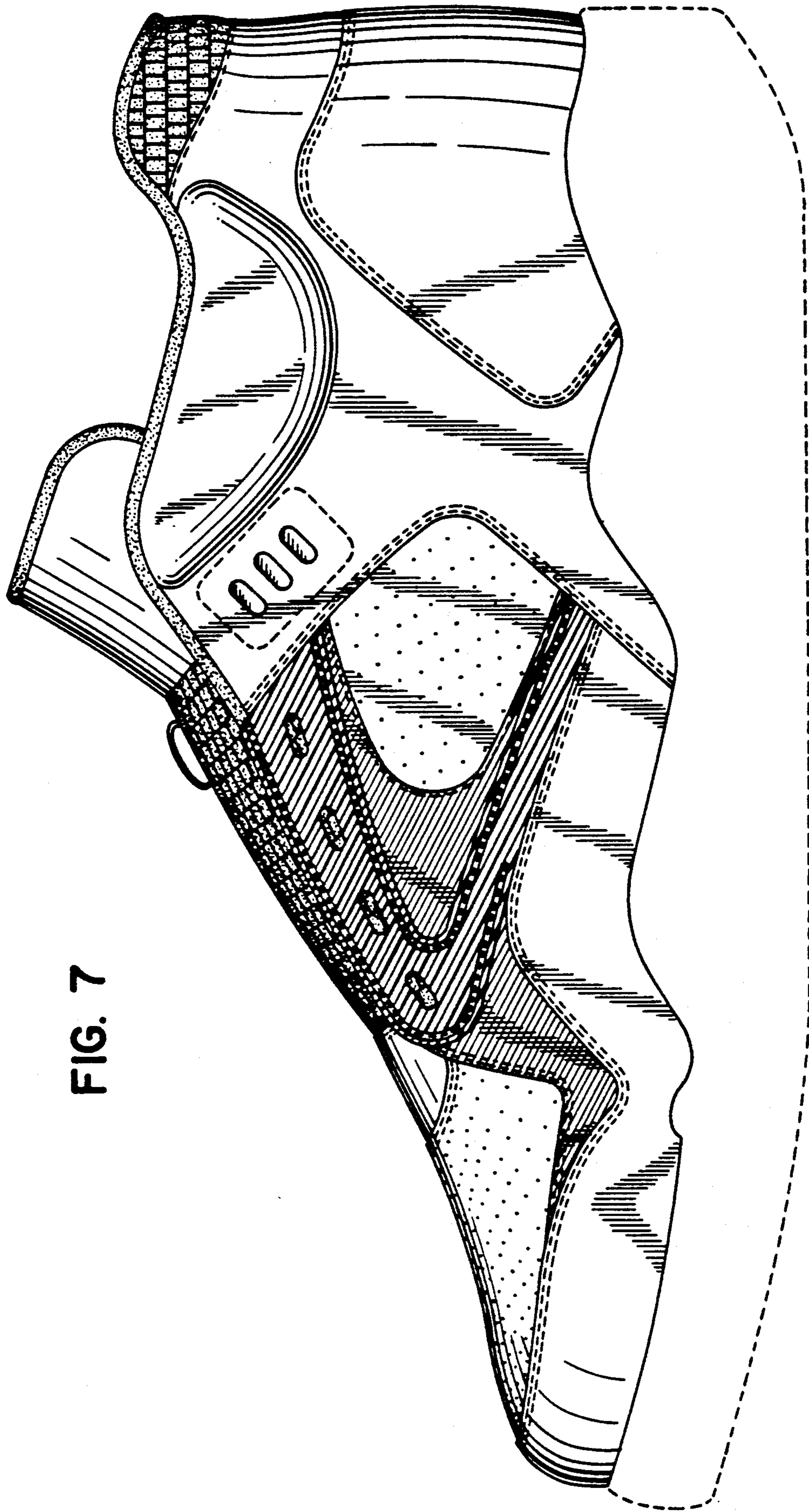


FIG. 7

FIG. 9

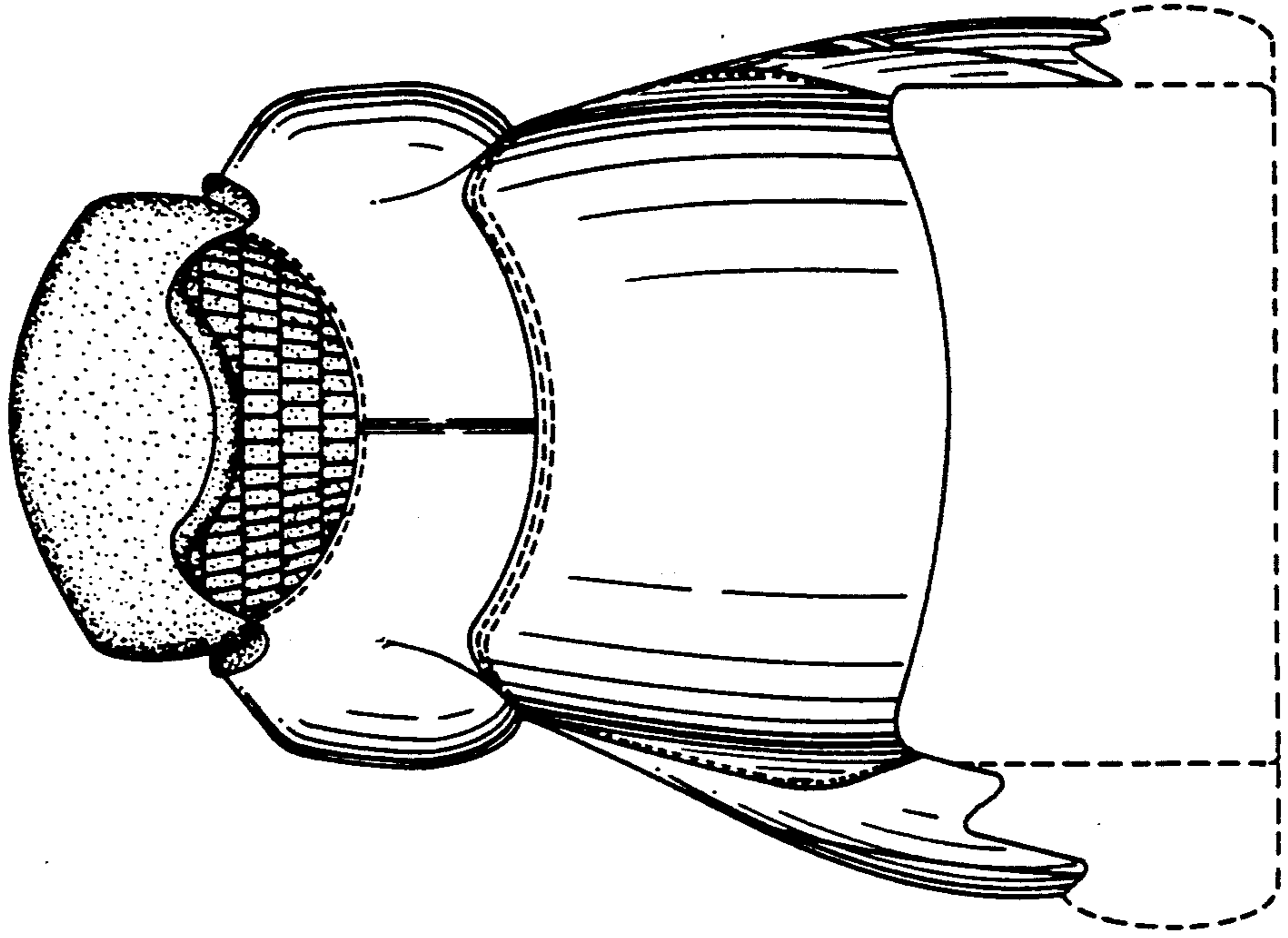


FIG. 8

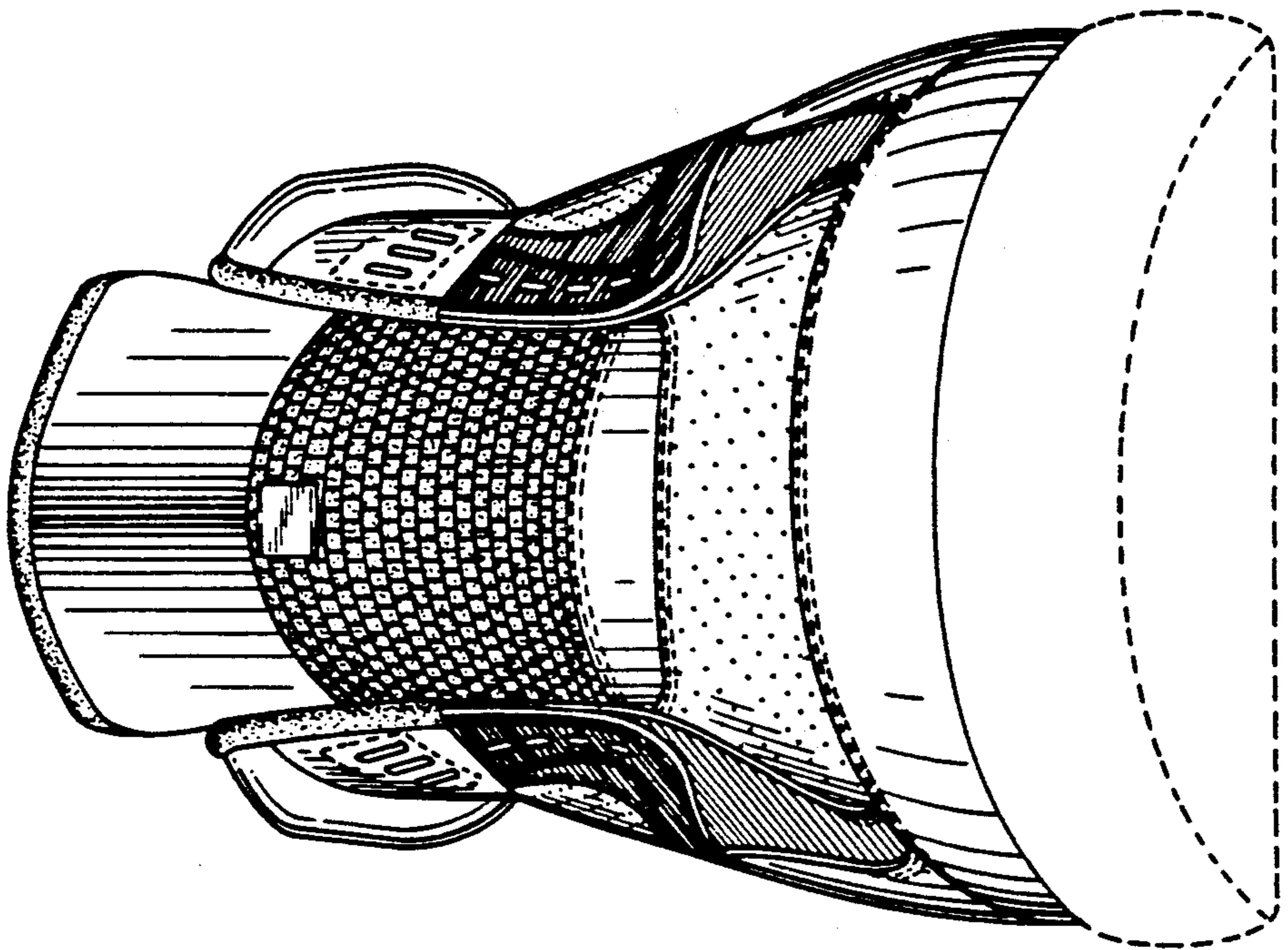




FIG. 10

