

[54] COMBINED CAP AND RADIO

[75] Inventor: Shing-Lam Li, Tuen Mun, Hong Kong

[73] Assignee: Antibes, Inc., Monrovia, Liberia

[**] Term: 14 Years

[21] Appl. No.: 390,335

[22] Filed: Aug. 7, 1989

[52] U.S. Cl. D2/244; D14/192

[58] Field of Search D2/244, 246, 253;
D29/13; 2/199, 185 R; 455/351; D14/192

[56] References Cited

U.S. PATENT DOCUMENTS

D. 162,829	4/1951	Hoeflich	D14/192	X
D. 246,712	12/1977	Shugrue	D29/13	X
D. 258,433	3/1981	Bulmash et al.	D2/253	X
D. 297,584	9/1988	Lenox et al.	D2/246	
4,776,044	10/1988	Makins	2/199	

OTHER PUBLICATIONS

Helen Gallagher—Foster House, Peoria, Ill., Transistor Radio Cap, p. 22, top left, 1966-1967, p. 22.

Primary Examiner—A. Hugo Word

Assistant Examiner—Paula Allen

Attorney, Agent, or Firm—Kirschstein, Ottinger, Israel & Schiffmiller

[57] CLAIM

The ornamental design for a combined cap and radio, substantially as shown and described.

DESCRIPTION

FIG. 1 is a top plan view of a combined cap and radio showing my new design;

FIG. 2 is a bottom plan view thereof;

FIG. 3 is a side elevational view thereof;

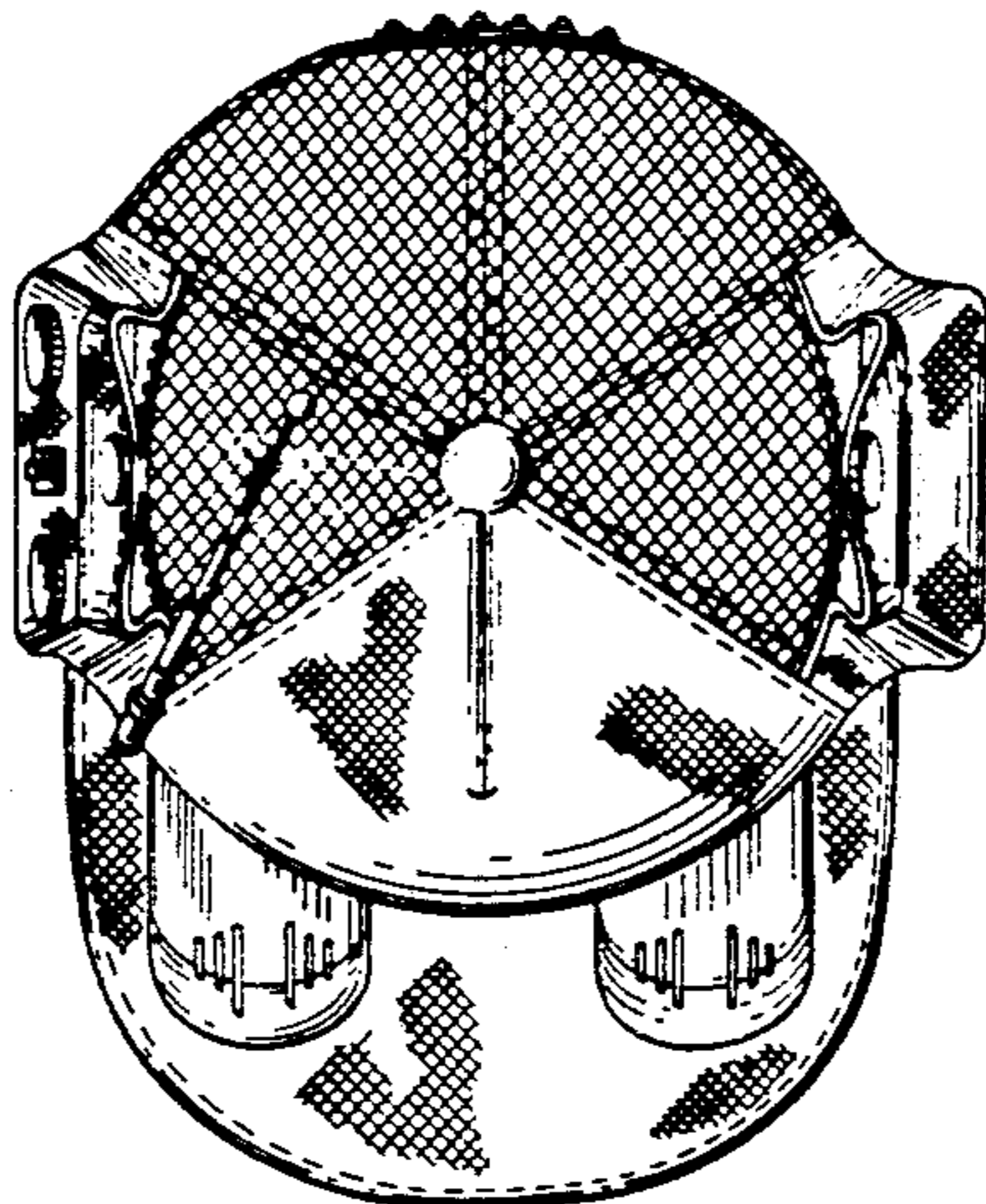
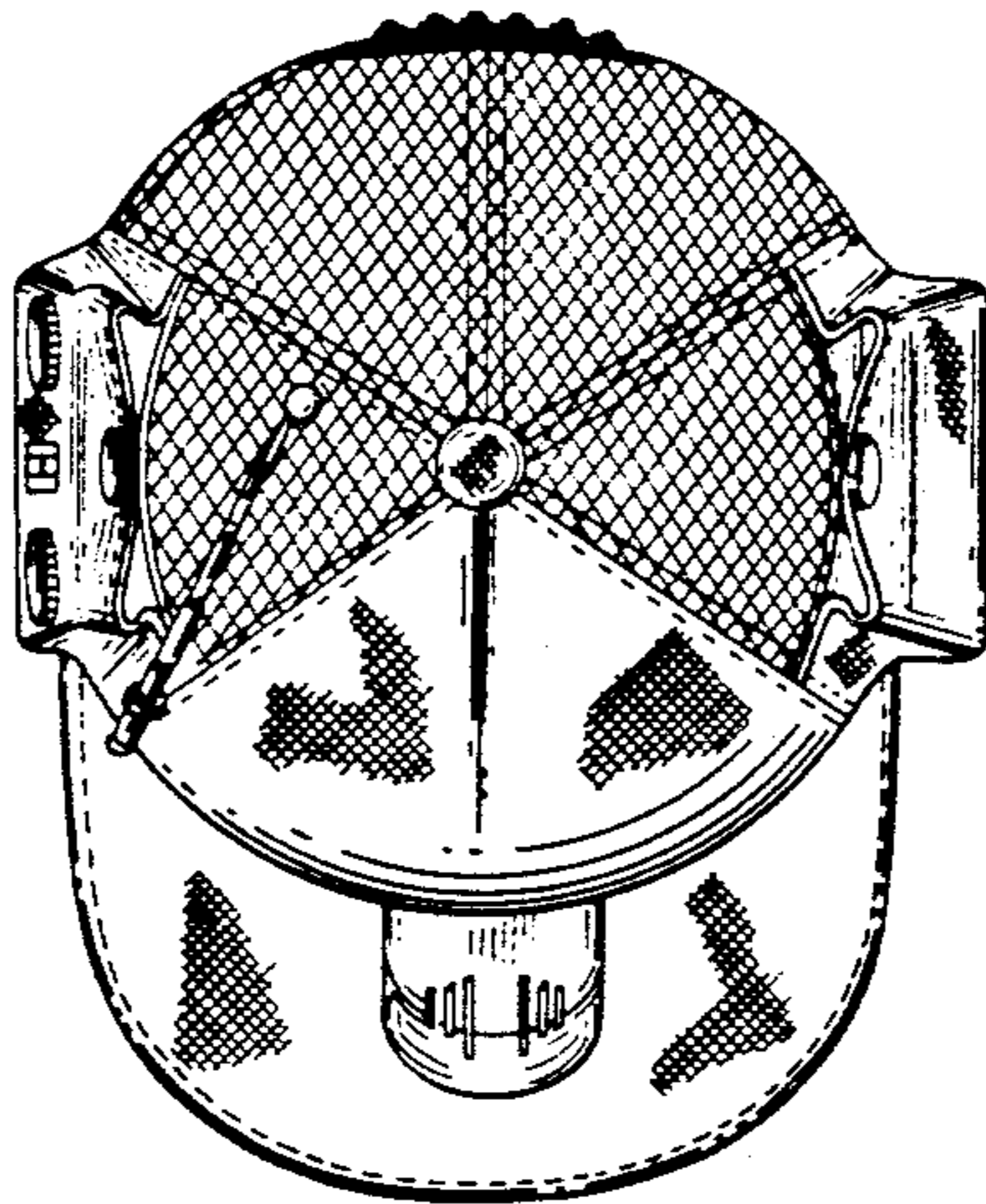
FIG. 4 is a front elevational view thereof;

FIG. 5 is an opposite side elevational view thereof;

FIG. 6 is a rear elevational view thereof;

FIG. 7 is a top plan view of a second embodiment of a combined cap and radio showing my new design, the second embodiment being the same except for an additional speaker on the bill; and,

FIG. 8 is a front elevational view thereof.



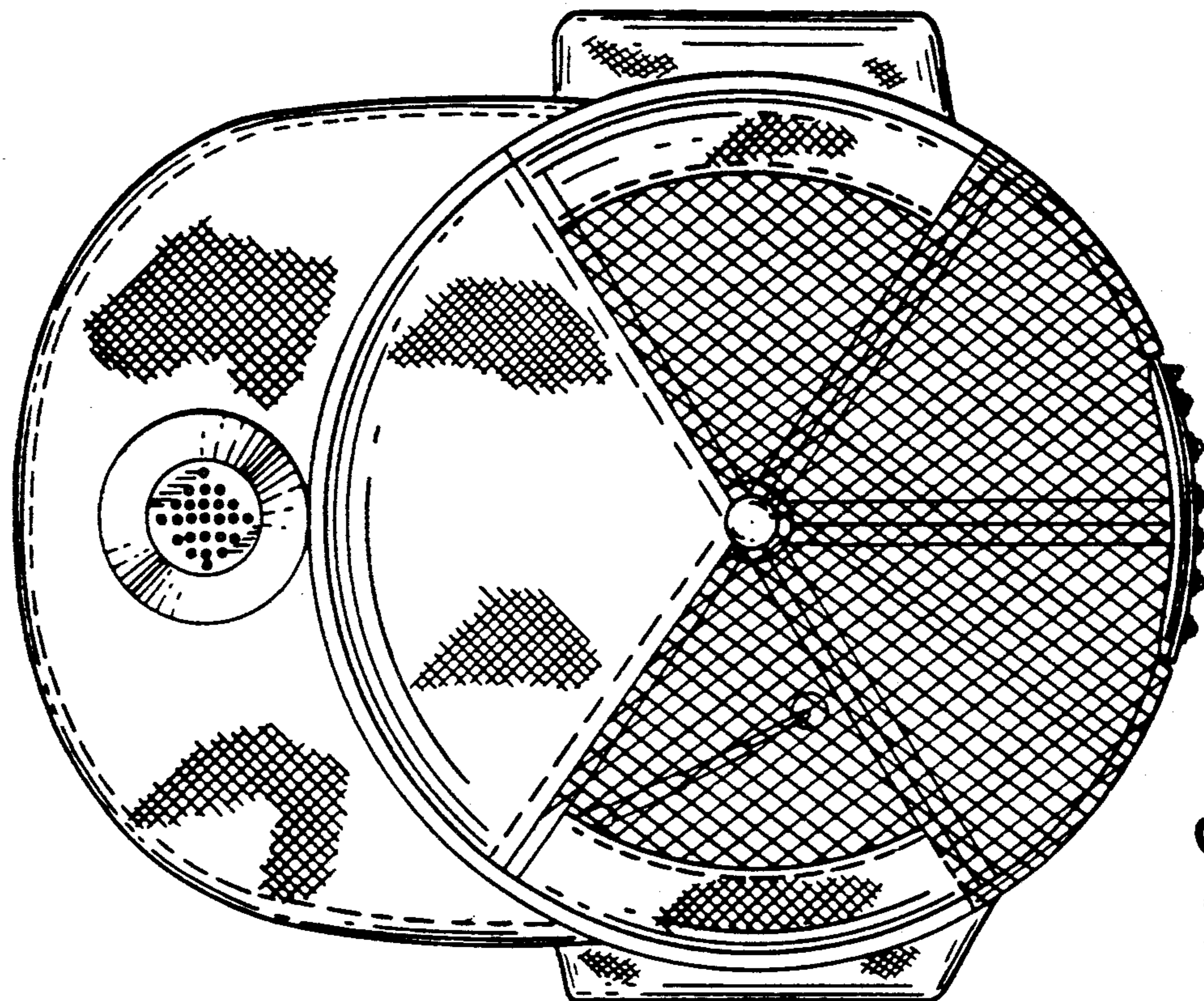
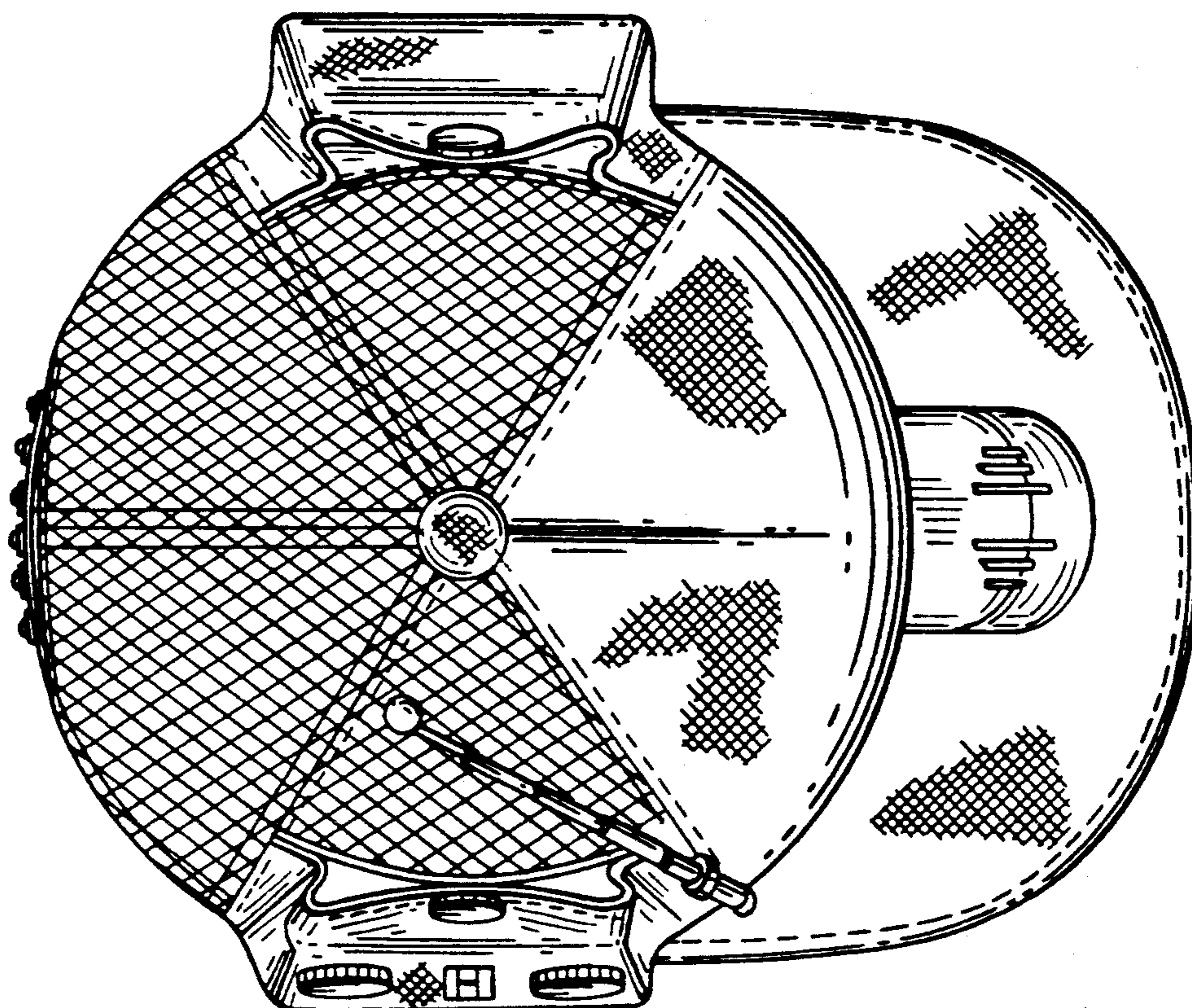


FIG. 2

FIG. 1



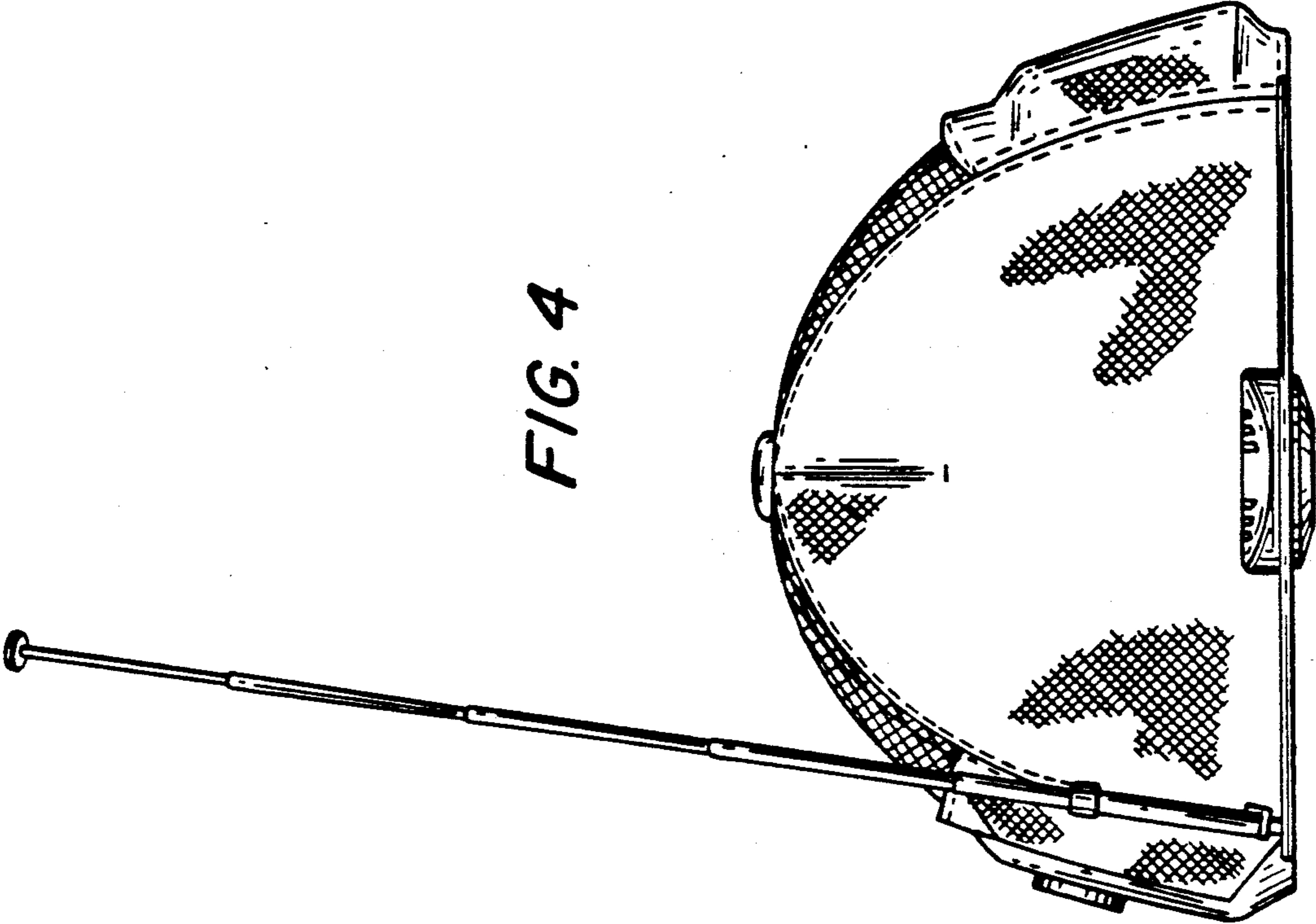


FIG. 4

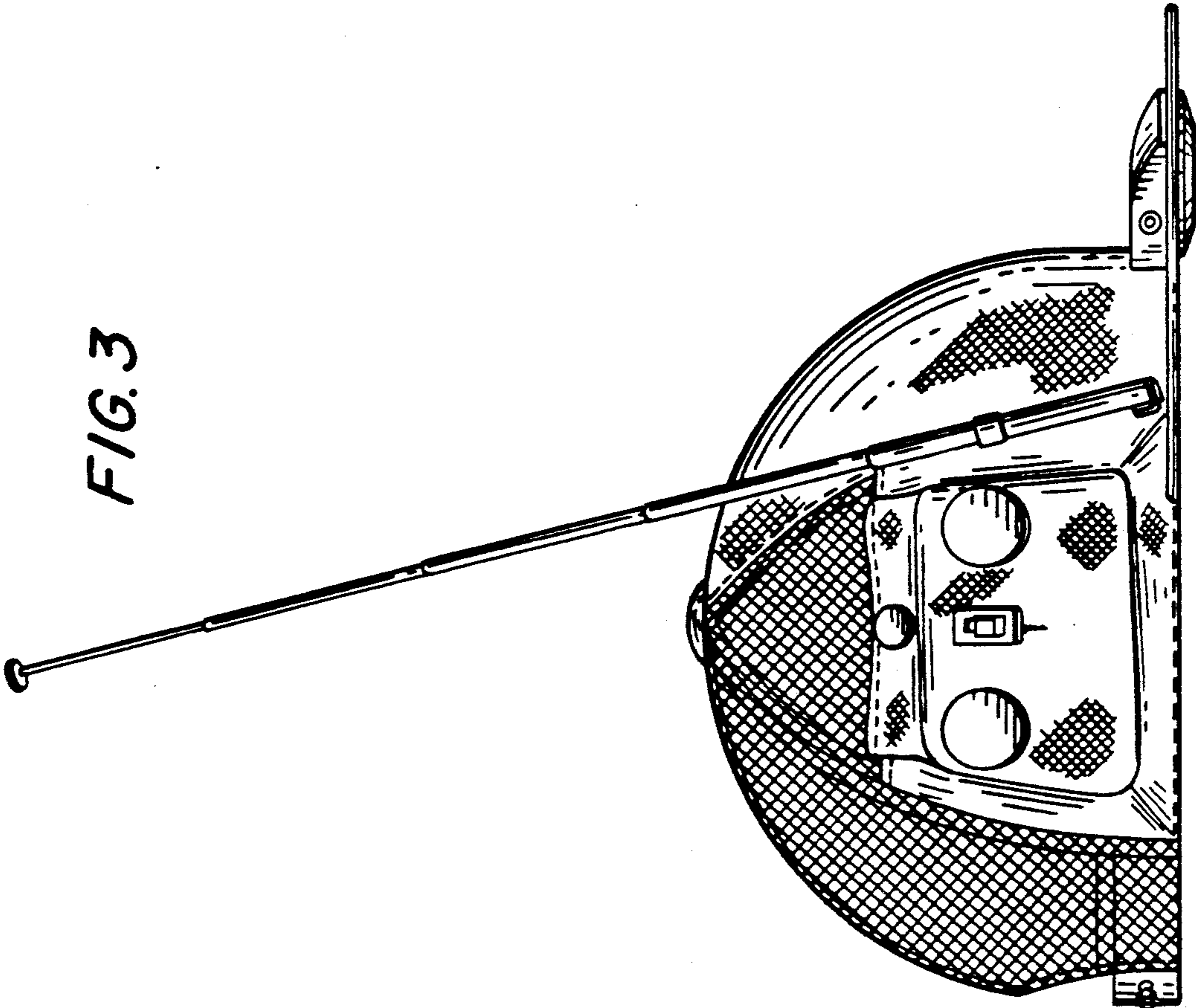


FIG. 3

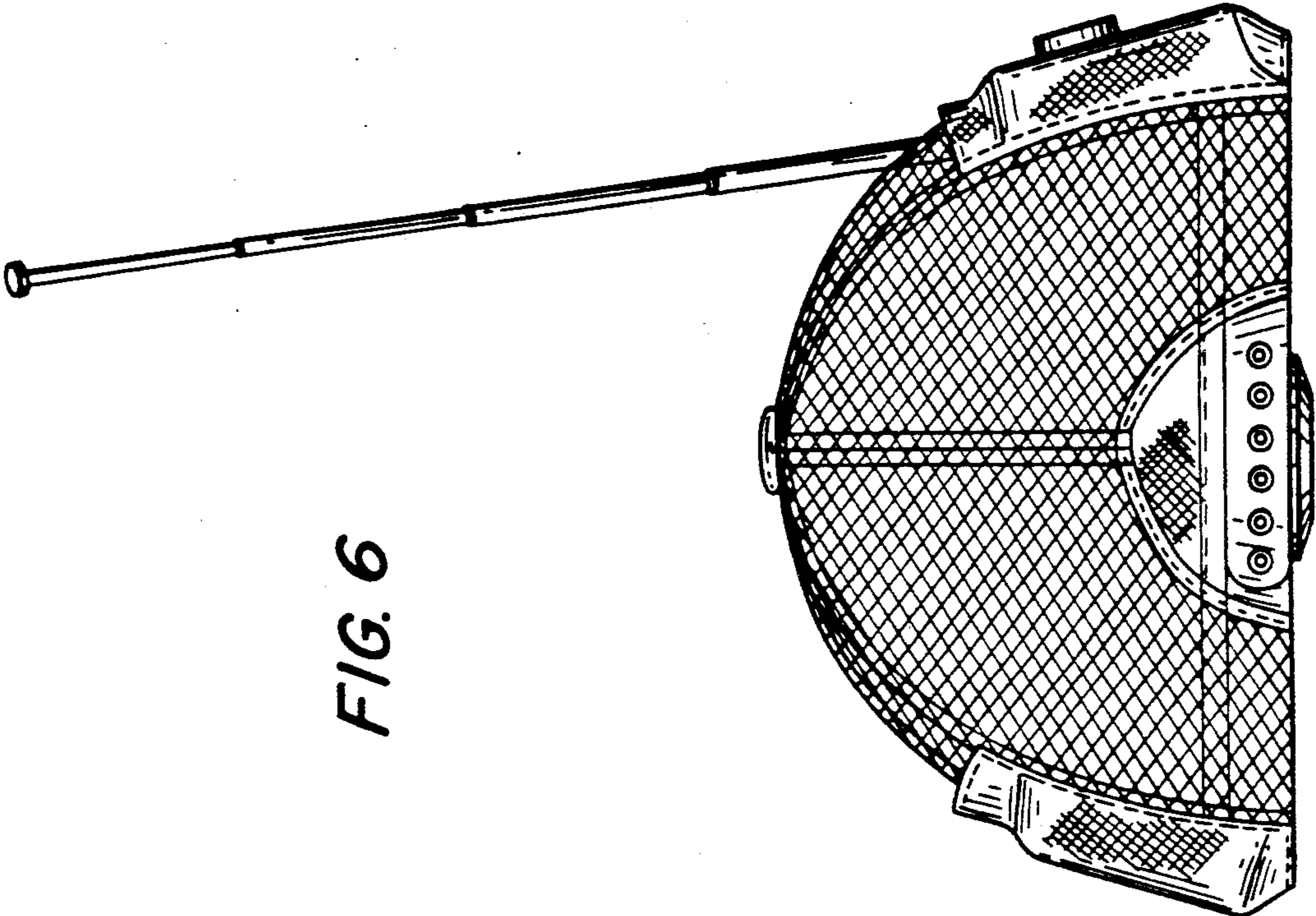


FIG. 6

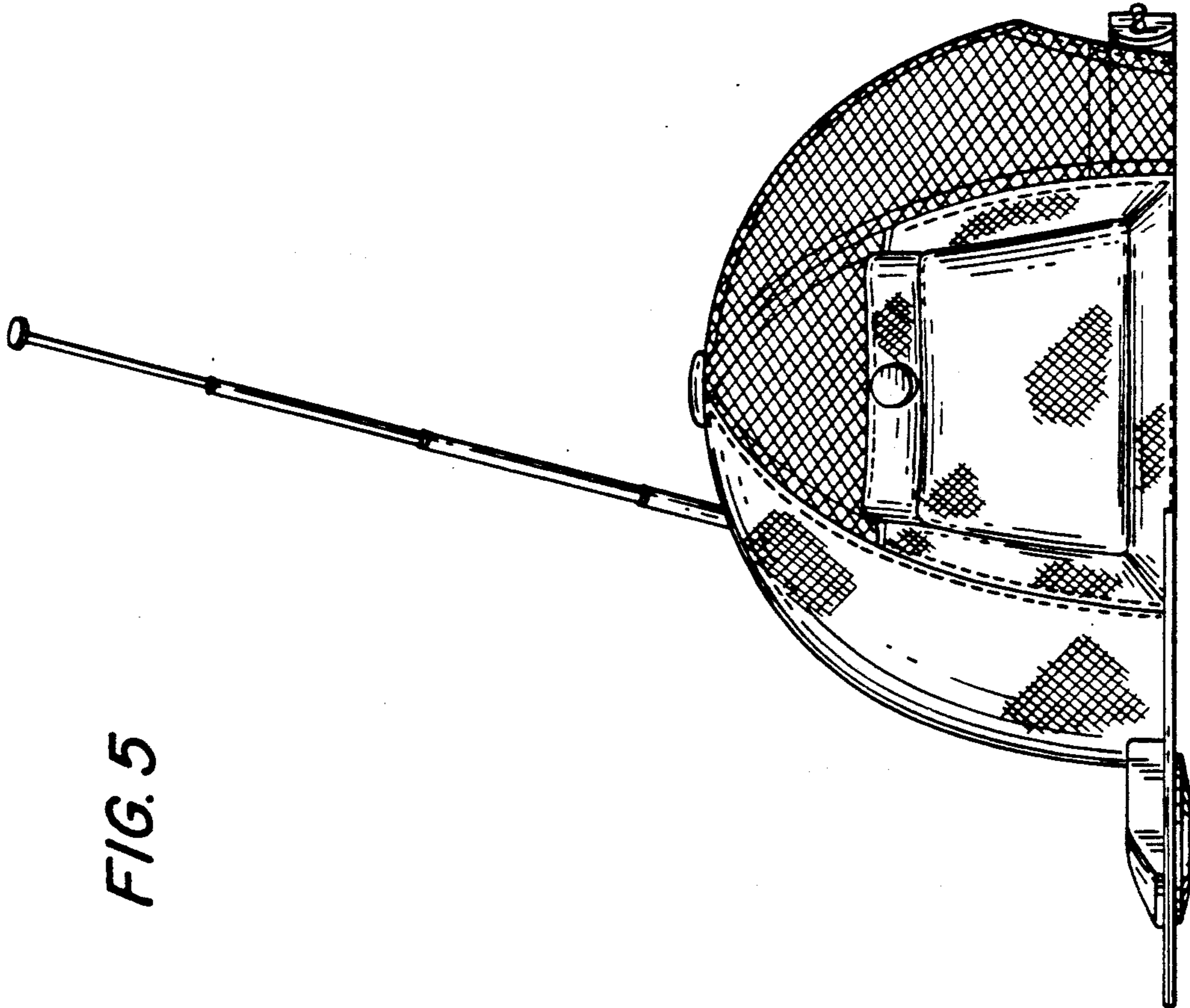


FIG. 5

FIG. 7

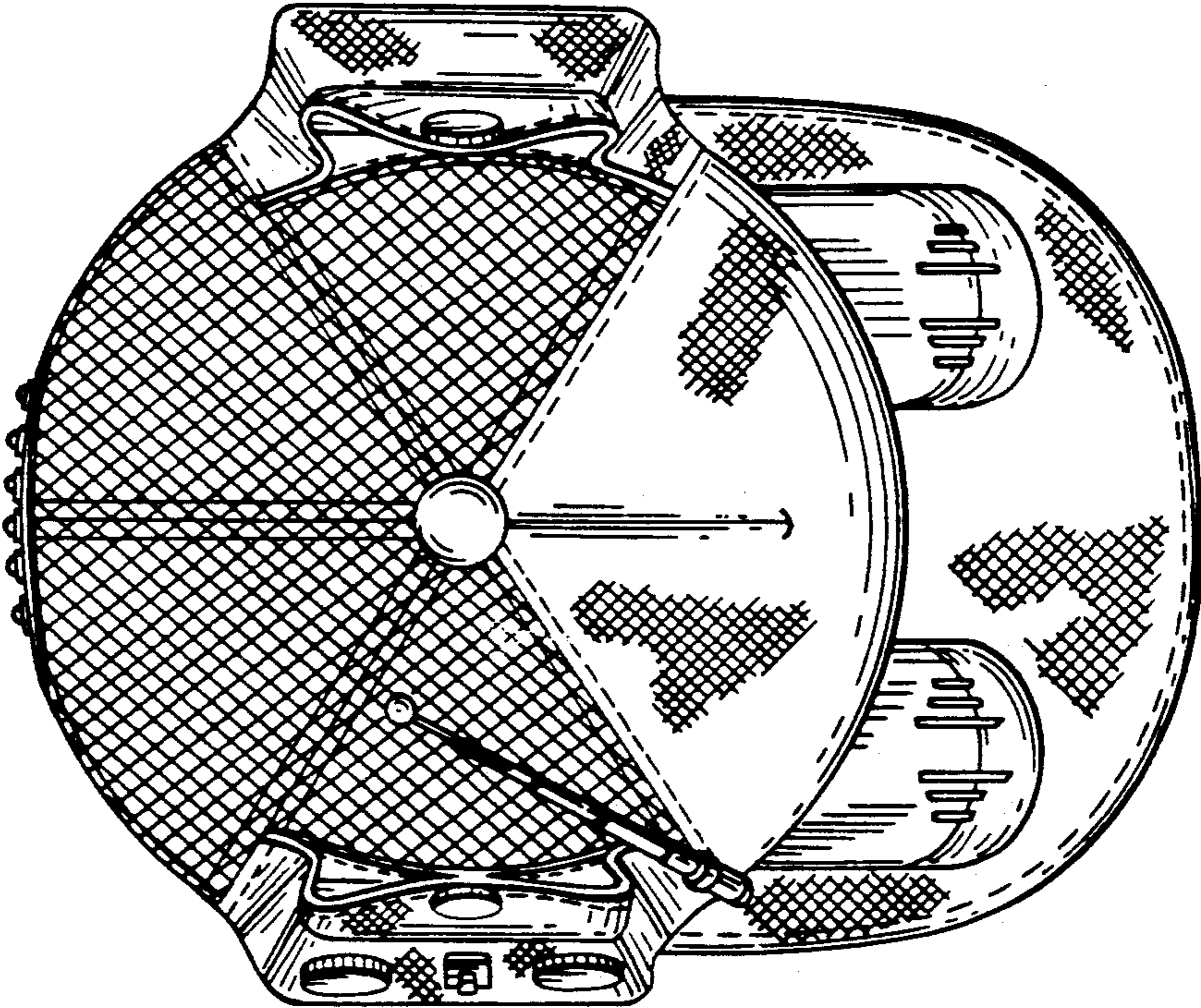


FIG. 8

