

[54] CREEPER

[76] Inventor: Walter Gilbert, 330 Detroit Ave.,
Fort Myers, Fla. 33905

[**] Term: 14 Years

[21] Appl. No.: 404,433

[22] Filed: Sep. 8, 1989

[52] U.S. Cl. D34/23

[58] Field of Search D34/23, 12, 17;
280/32.5, 32.6, 79.11, 79.3

[56] References Cited

U.S. PATENT DOCUMENTS

- D. 230,971 3/1974 Shanklin D34/23
- D. 242,909 1/1977 Miller D34/23
- D. 301,078 5/1989 Szpot D34/23
- D. 301,791 6/1989 Osborne D34/23

- 4,570,957 2/1986 Rose 280/32.6
- 4,792,147 12/1988 Wissing D34/23

Primary Examiner—Kay H. Chin
Attorney, Agent, or Firm—Terry M. Gernstein

[57] CLAIM

The ornamental design for a creeper, as shown and described.

DESCRIPTION

FIG. 1 is a top and front perspective view of a creeper showing my new design.

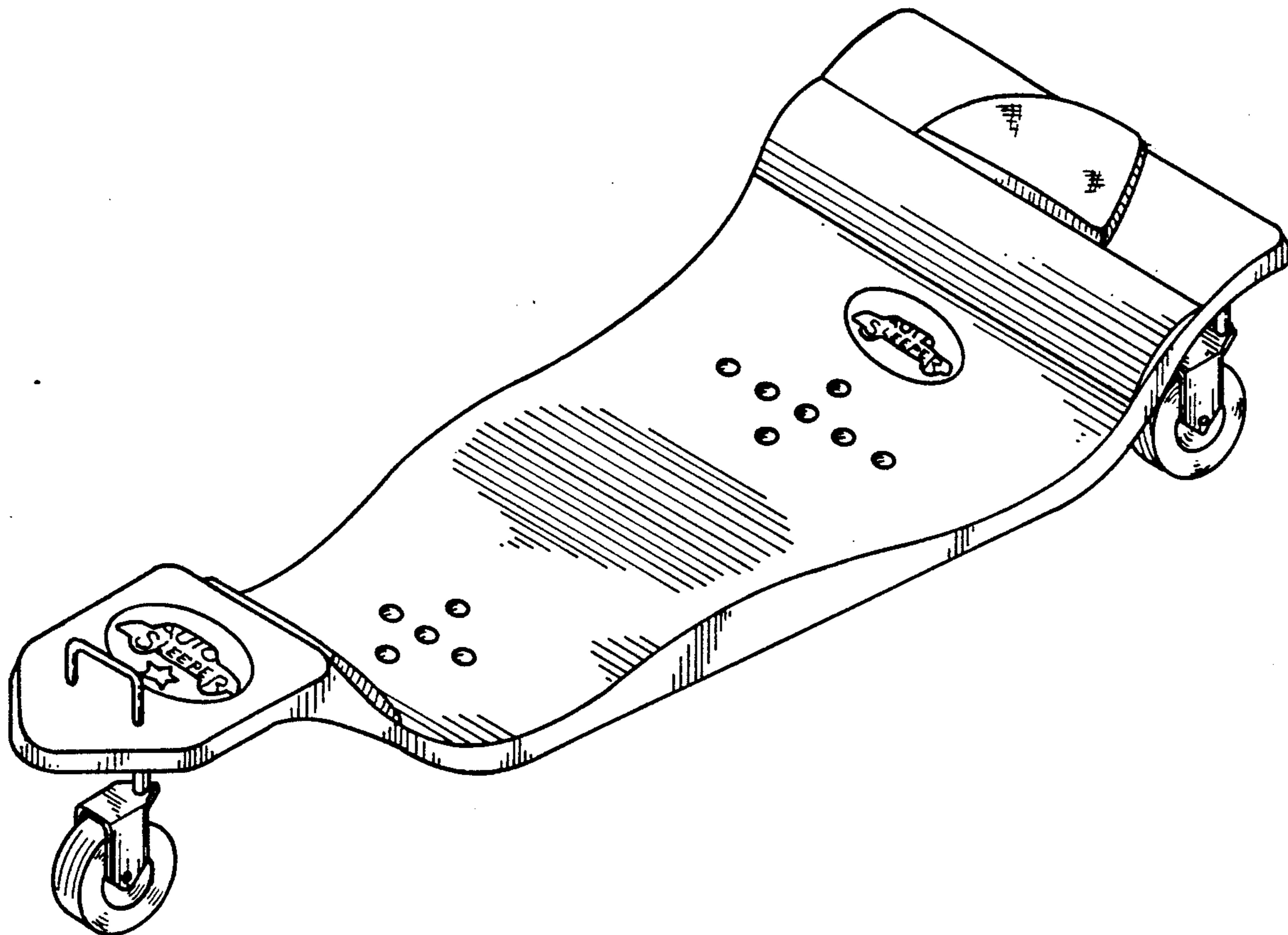
FIG. 2 is a top plan view thereof.

FIG. 3 is a bottom plan view thereof.

FIG. 4 is a side elevational view thereof, the opposite side view being a mirror image of that shown;

FIG. 5 is a rear elevational view thereof.

FIG. 6 is a front elevational view thereof.



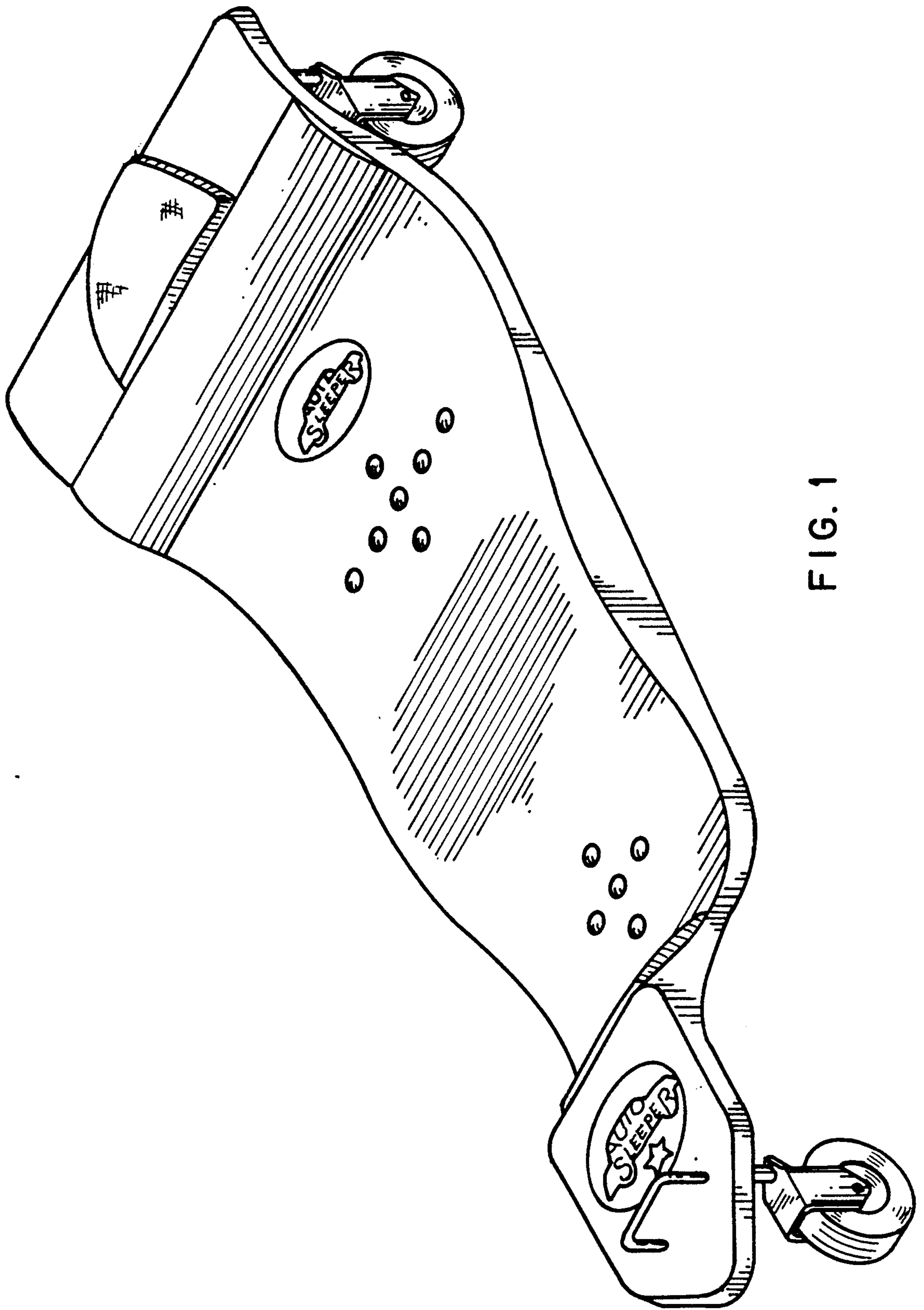


FIG. 1

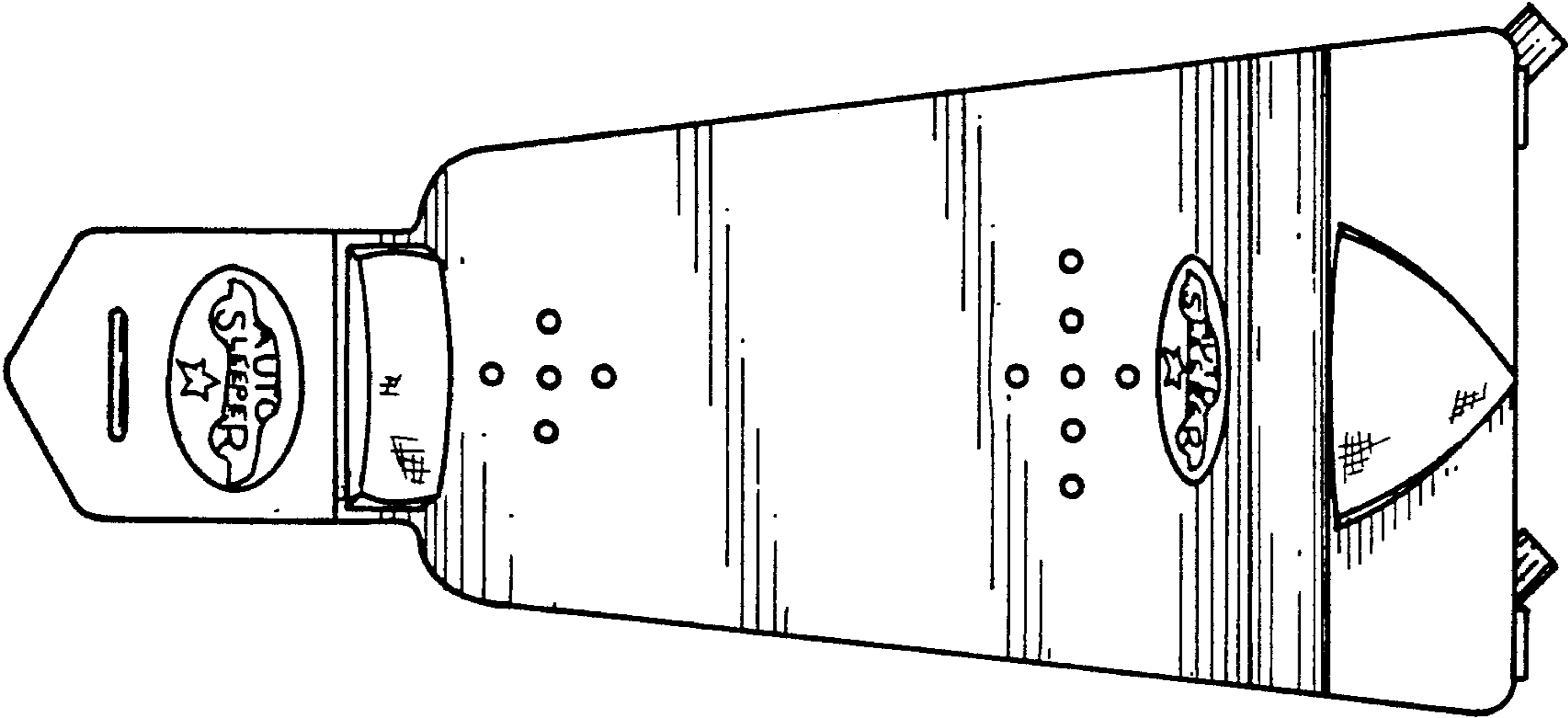


FIG. 2

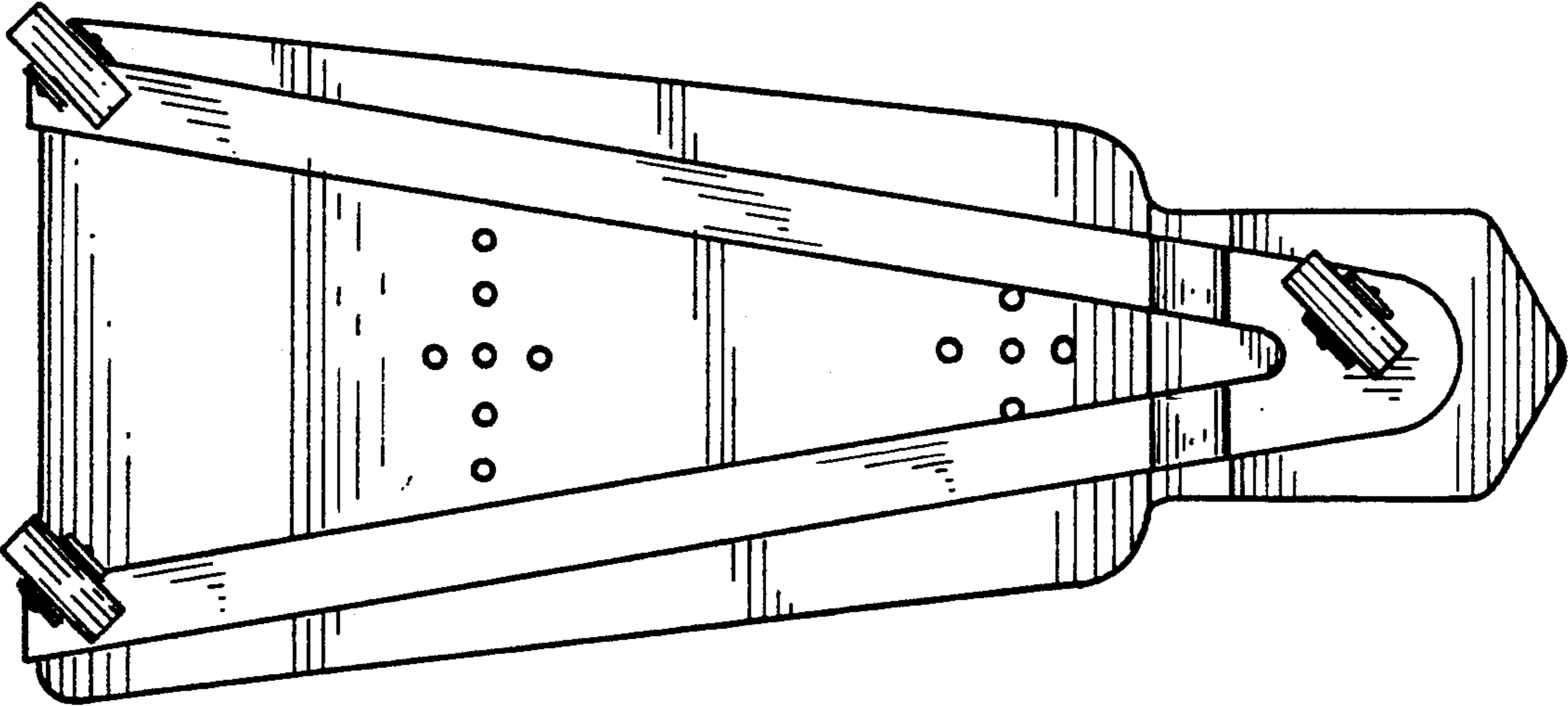


FIG. 3

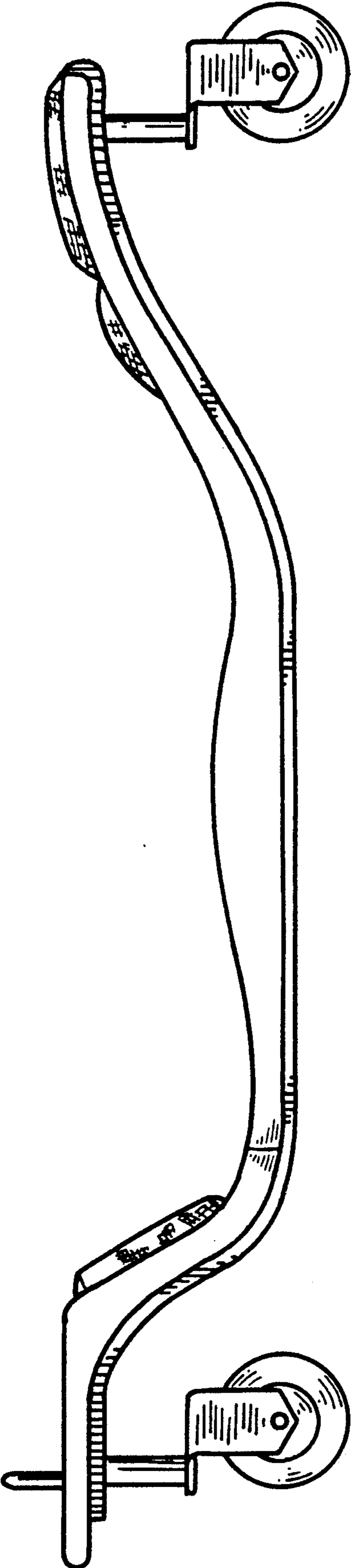


FIG. 4

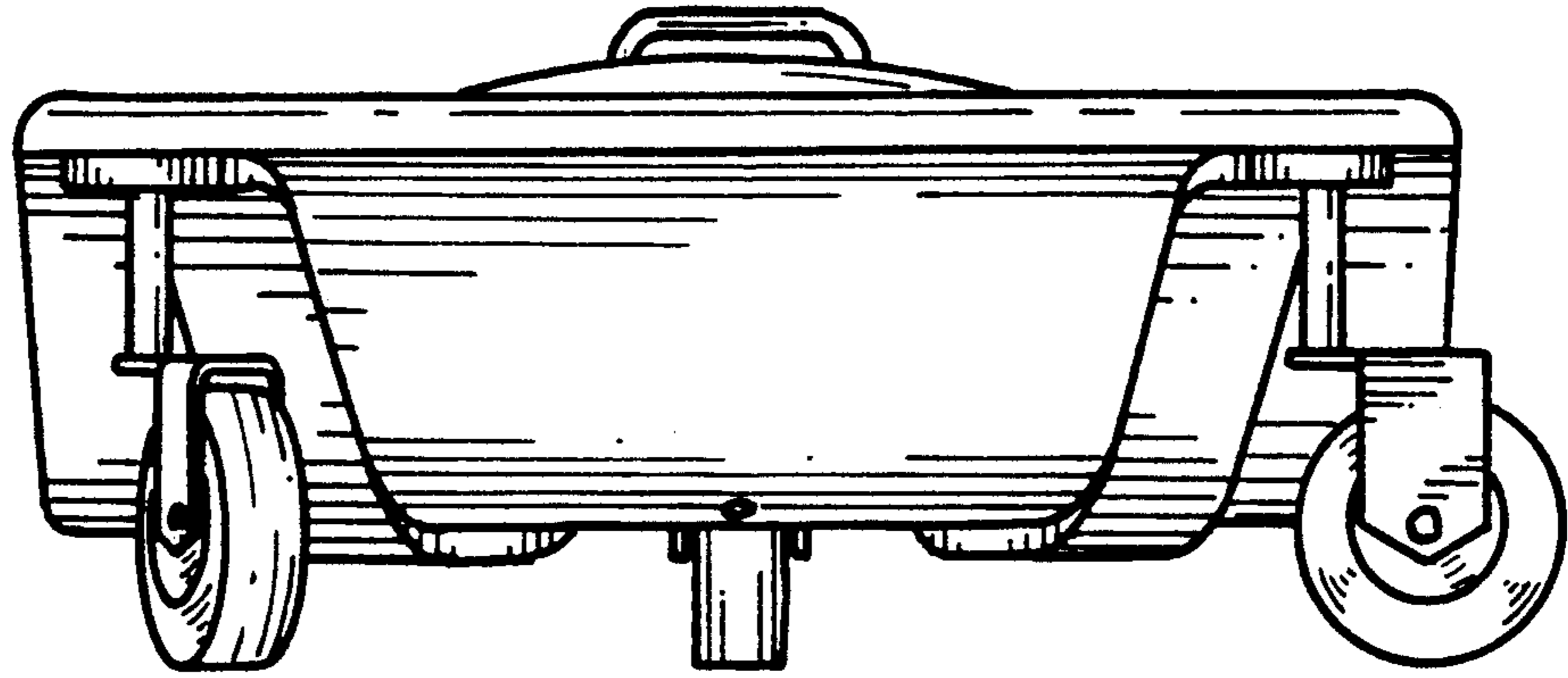


FIG. 5

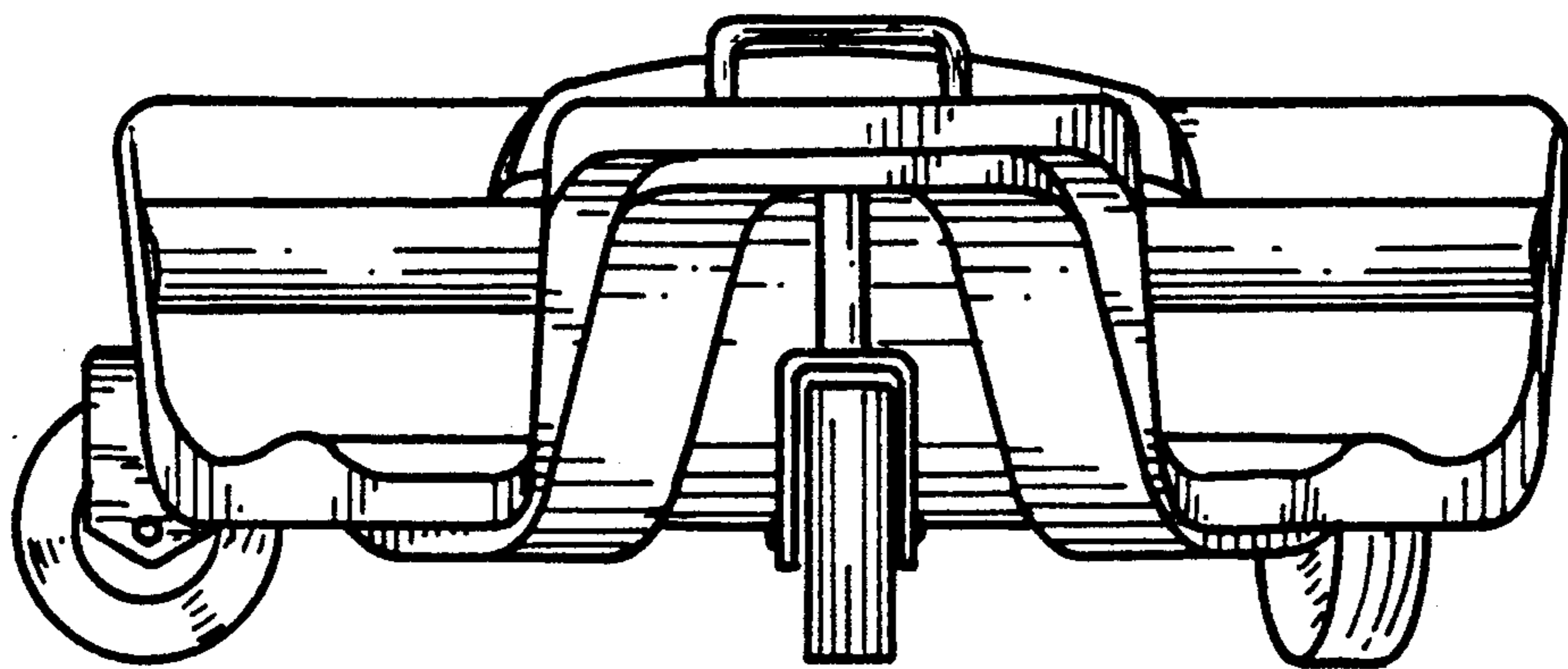


FIG. 6