

[54] WASHING DEVICE FOR CLEANING THE UNDERSIDE OF A VEHICLE

[75] Inventors: Harold Shevers, Jr., Batavia, Ohio; Arthur Merlin, Atlanta, Ga.

[73] Assignee: American Water Broom Company, Atlanta, Ga.

[**] Term: 14 Years

[21] Appl. No.: 432,611

[22] Filed: Nov. 7, 1989

[52] U.S. Cl. D32/15; D32/35

[58] Field of Search D32/15, 35; D34/24, D34/26; 134/45, 100, 123; 239/273, 280, 550, 565-566, 722, 754

[56] References Cited

U.S. PATENT DOCUMENTS

D. 243,610	3/1977	Craig	D32/15
D. 244,532	5/1977	Poston	D32/15
D. 250,826	1/1979	Newman	D32/15
2,692,163	10/1954	Geel	239/754
4,095,746	6/1978	Anderberg et al.	239/754
4,580,726	4/1986	Unger	239/722
4,930,706	6/1990	Merlin	239/754

FOREIGN PATENT DOCUMENTS

1348880 3/1974 United Kingdom 239/722

OTHER PUBLICATIONS

Popular Science, Apr. 1957, Hose and Dolly Cleaning Device, p. 165.

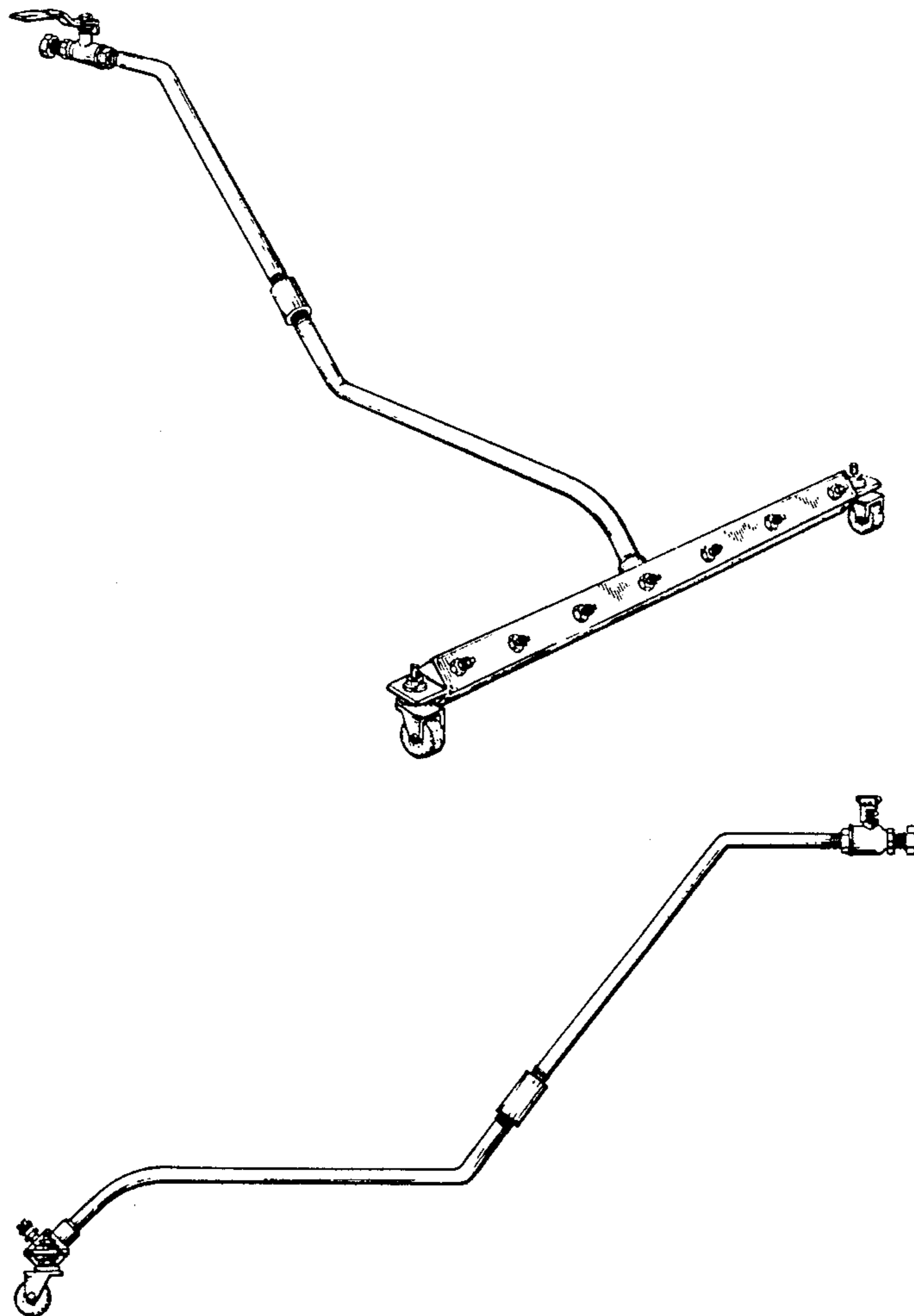
Primary Examiner—Wallace R. Burke
Assistant Examiner—Lavone D. Tabor
Attorney, Agent, or Firm—Thomas, Kerr & Kayden

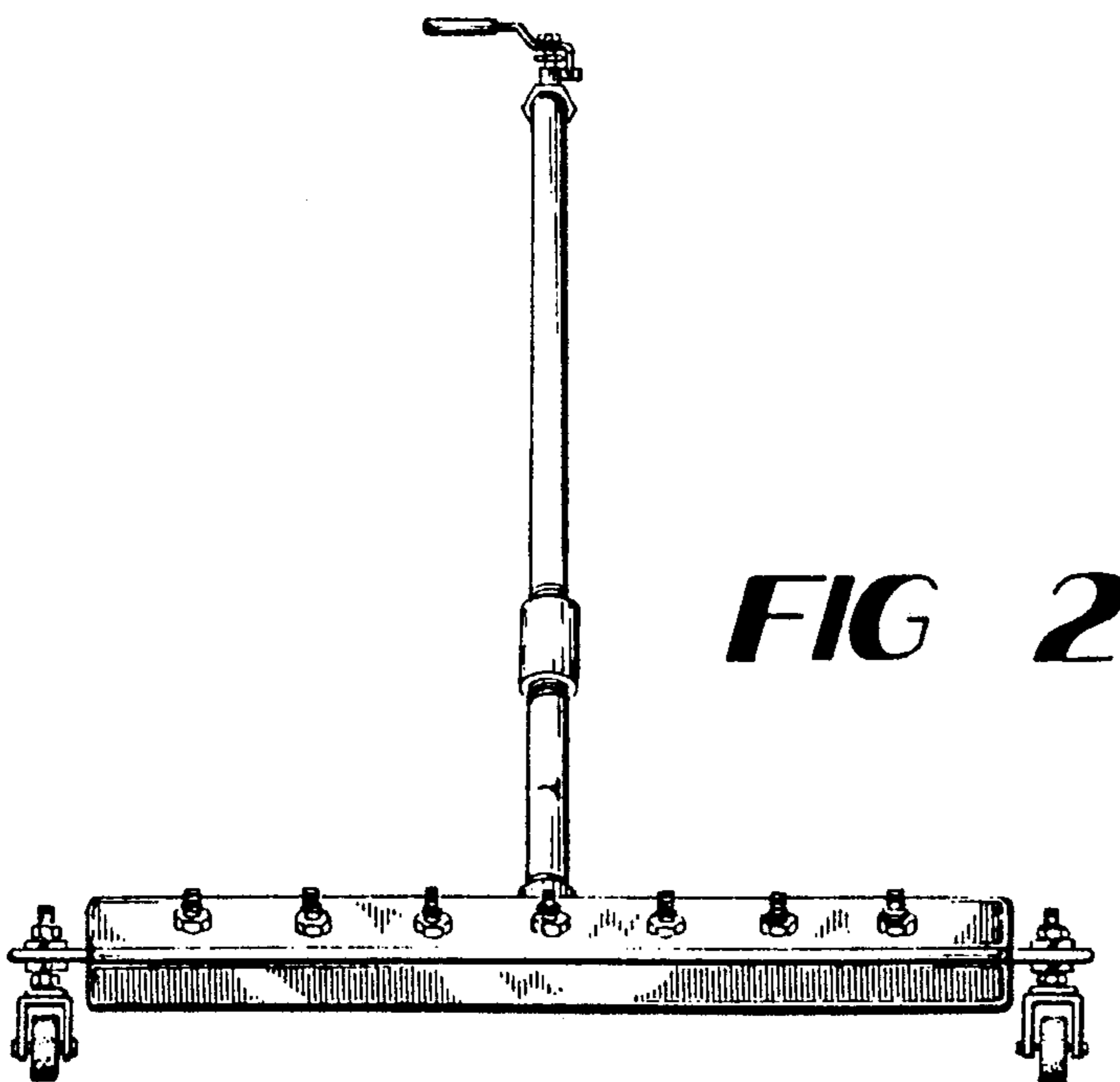
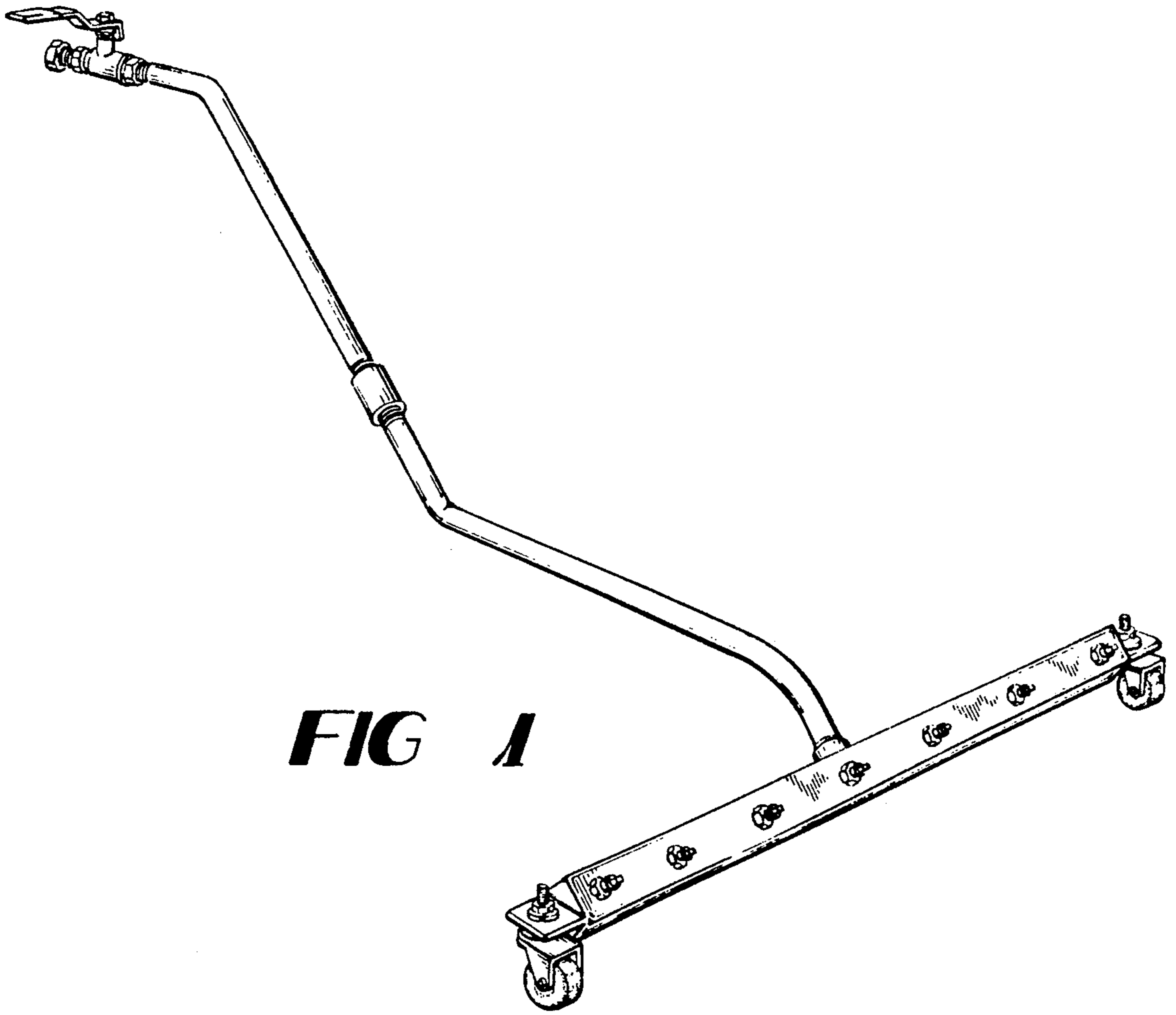
[57] CLAIM

The ornamental design for a washing device for cleaning the underside of a vehicle, as shown and described.

DESCRIPTION

FIG. 1 is a perspective view of a washing device for cleaning the underside of a vehicle showing our new design;
FIG. 2 is a front elevational view thereof;
FIG. 3 is a right side elevational view thereof;
FIG. 4 is a rear elevational view thereof;
FIG. 5 is a left side elevational view thereof;
FIG. 6 is a top plan view thereof; and
FIG. 7 is a bottom plan view thereof.





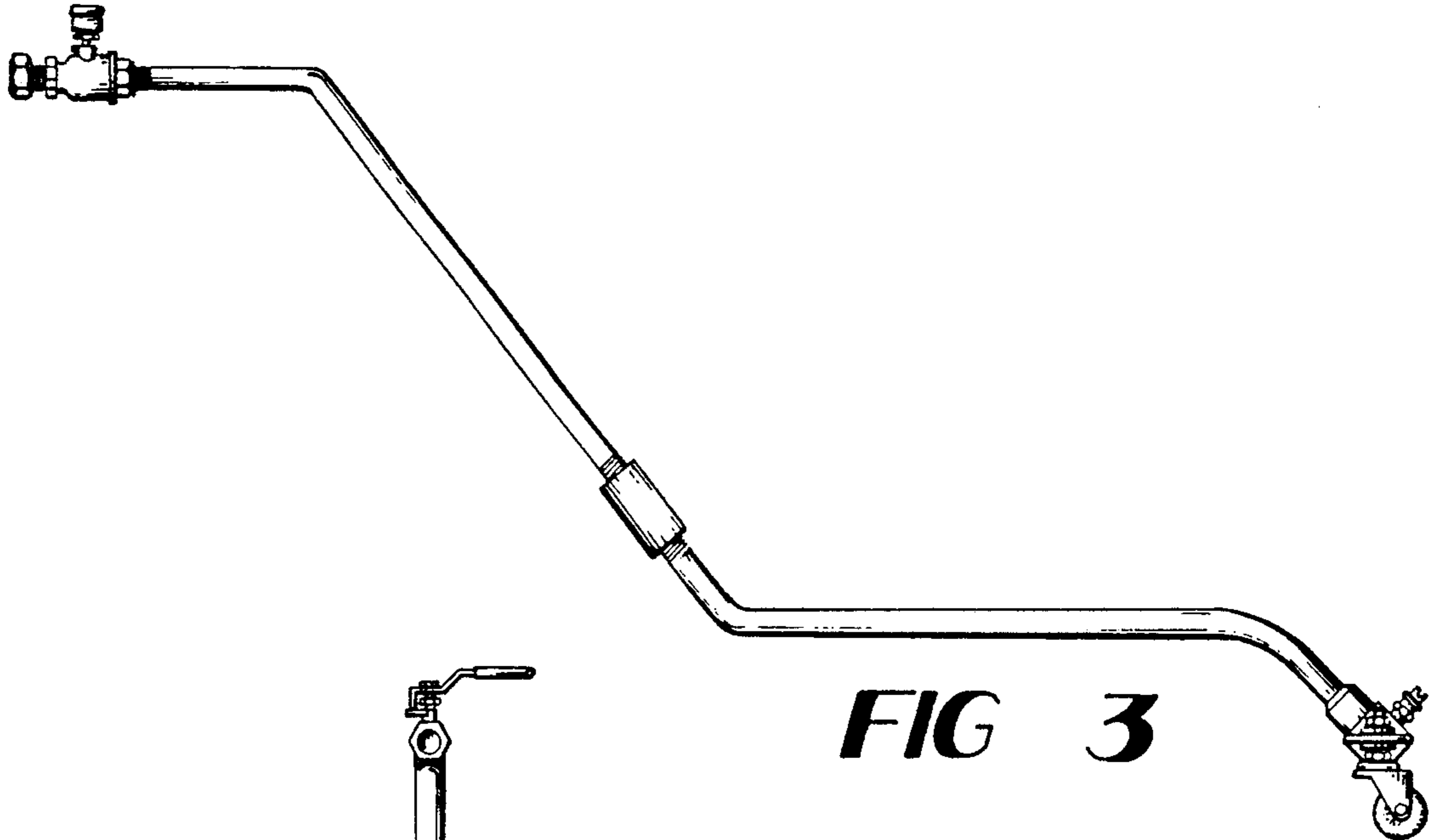


FIG 3

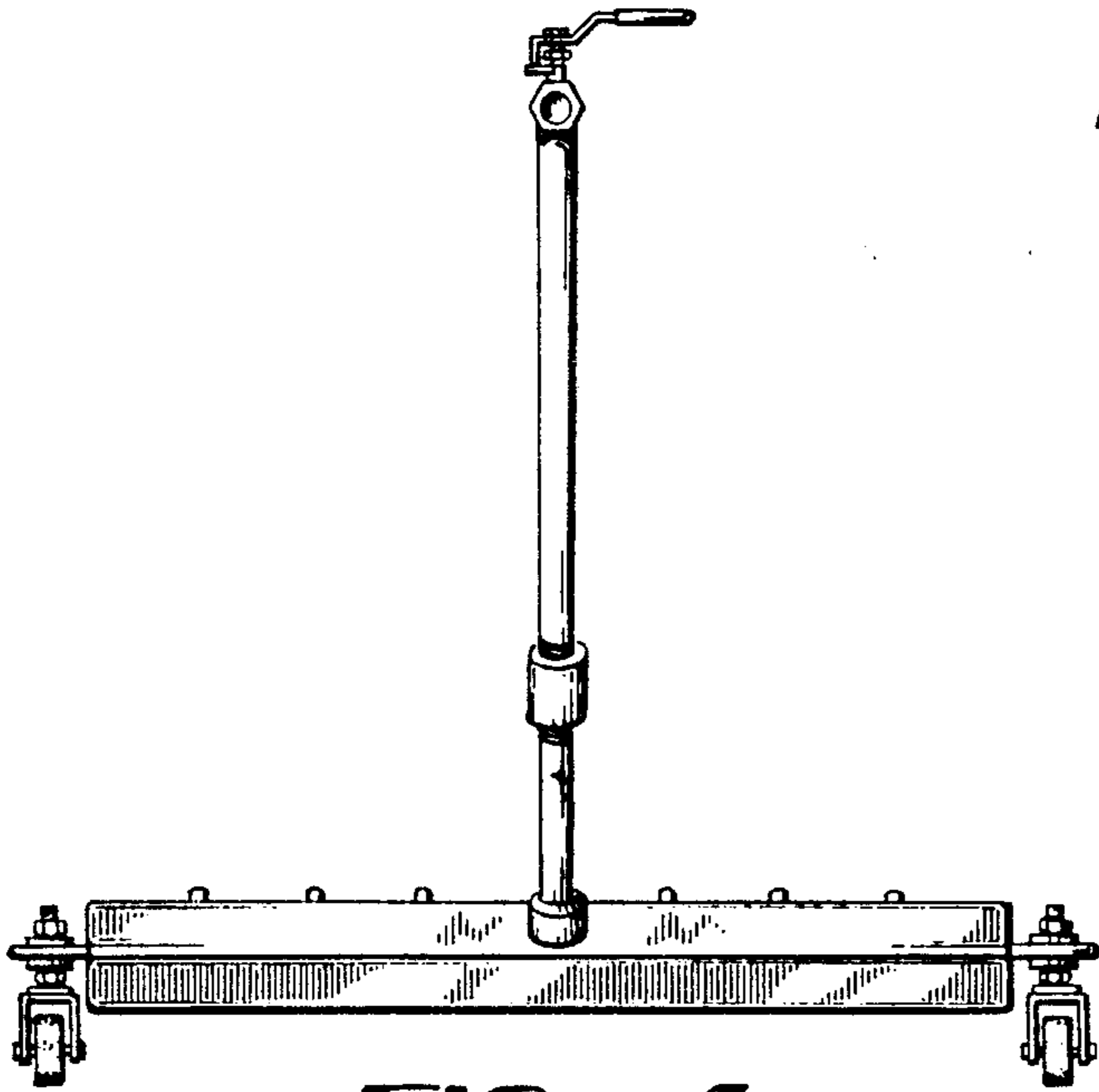


FIG 4

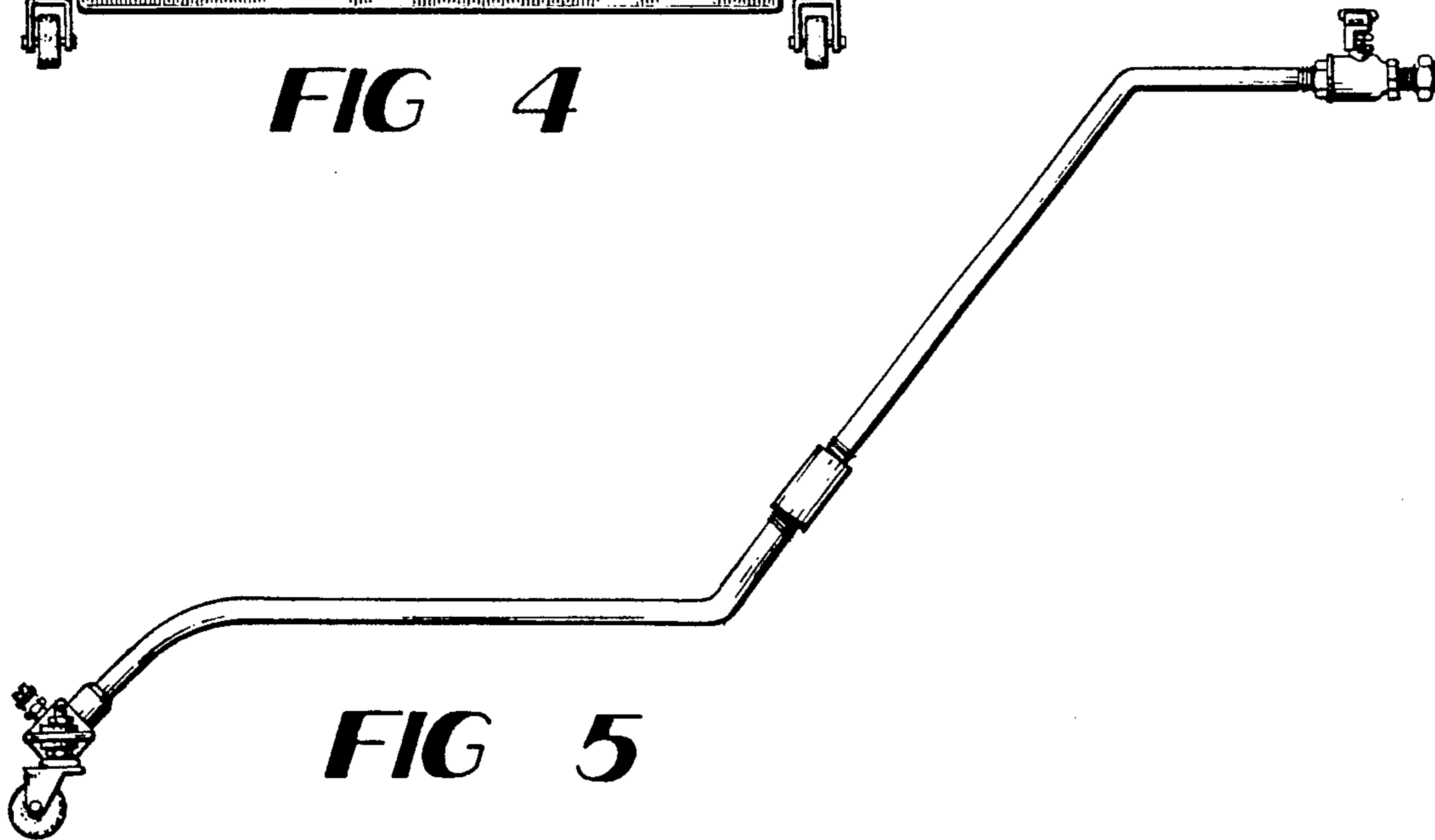


FIG 5

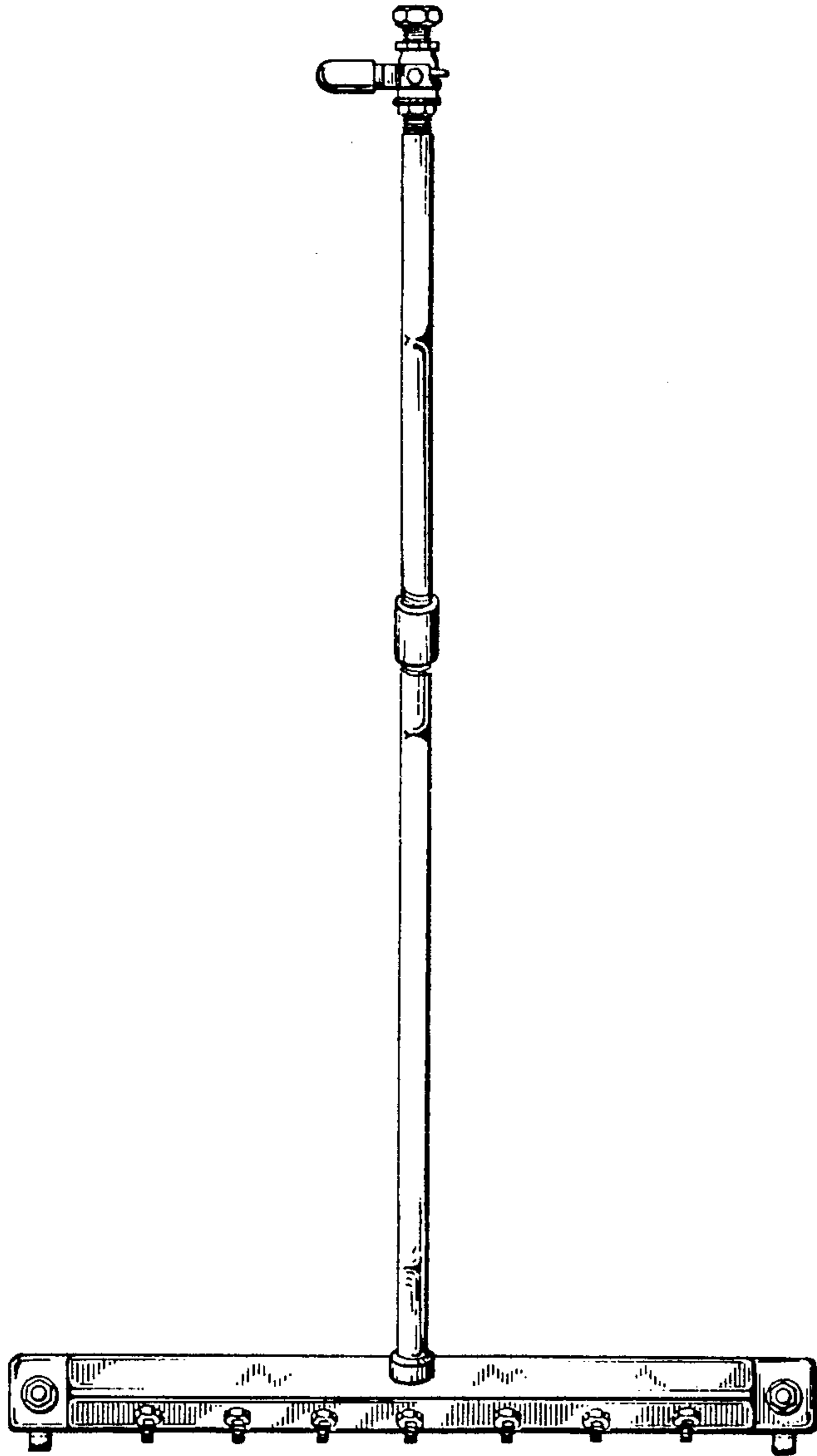


FIG 6

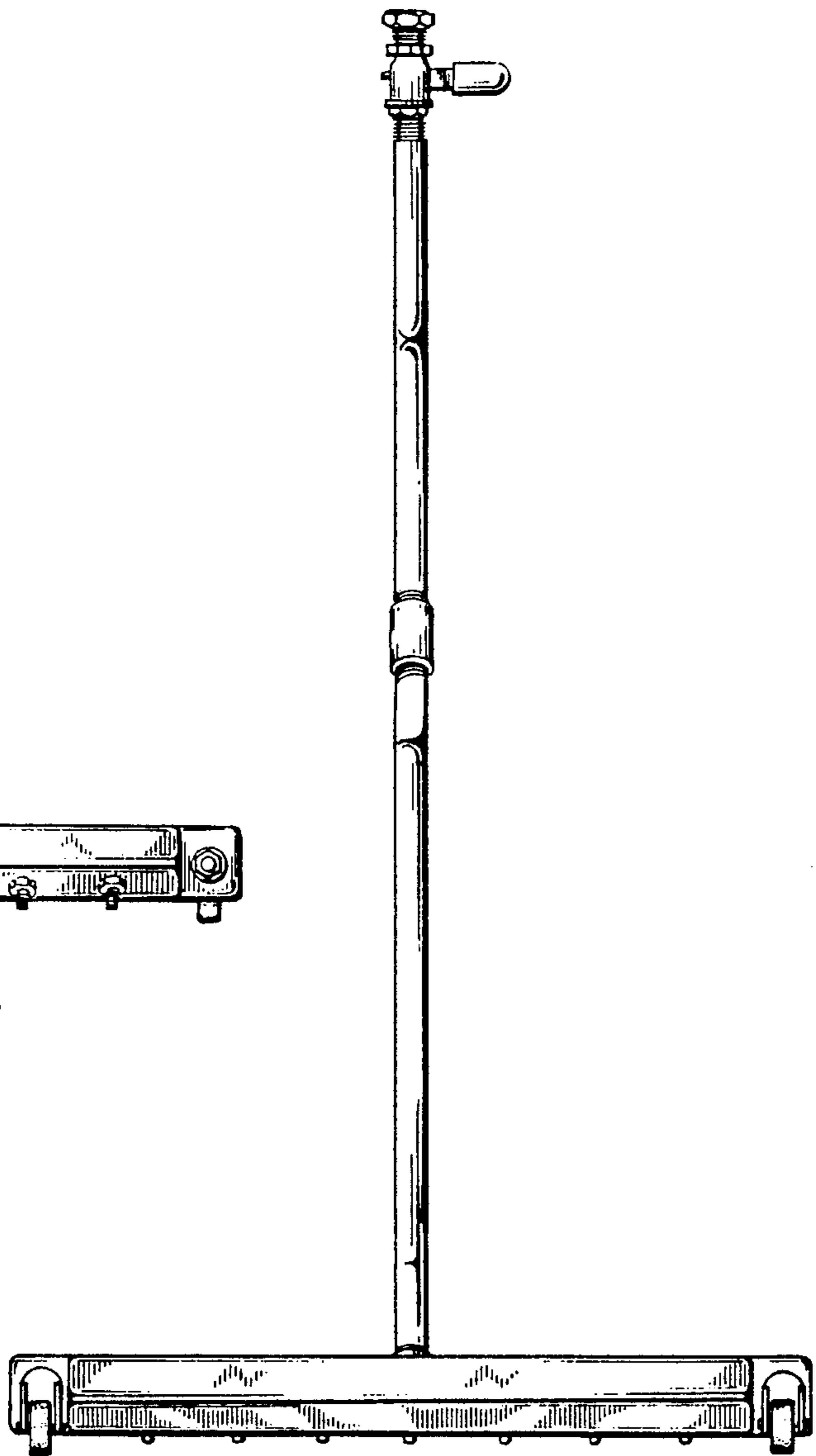


FIG 7