

[54] **PET FOOD BOWL**

[75] Inventor: **Donald P. Laden, Dayton, Ohio**

[73] Assignee: **The Iams Company, Dayton, Ohio**

[**] Term: **14 Years**

[21] Appl. No.: **393,318**

[22] Filed: **Aug. 14, 1989**

[52] U.S. Cl. **D30/129; D7/616; D7/619**

[58] Field of Search **D30/110, 121-133; 119/51.01, 51.02, 51.5, 61, 63, 52.4, 70, 18, 72, 72.5, 73, 75, 77, 78, 52.1, 51.03, 57.8; D7/616, 619, 552, 584**

D. 308,773 1/1990 Morrow et al. D7/616

D. 313,486 1/1991 Conner D30/129

D. 313,487 1/1991 Conner D30/129

697,247 4/1902 Harris D7/552

2,213,837 9/1940 Gill D7/584

2,533,853 12/1950 Tinder D7/584

3,664,304 5/1972 Carter D30/128

4,800,845 1/1989 Budd 119/61

Primary Examiner—A. Hugo Word
Assistant Examiner—CathyAnne MacCormac
Attorney, Agent, or Firm—Killworth, Gottman, Hagan & Schaeff

[57] **CLAIM**

The ornamental design for a pet food bowl, as shown and described.

[56] **References Cited**

U.S. PATENT DOCUMENTS

D. 43,525 2/1913 Dunn D30/130

D. 229,074 11/1973 Cuprak D30/130

D. 269,386 6/1983 Khider D30/130

D. 287,772 1/1987 Stewart D30/129

D. 302,753 8/1989 Zelinger D30/129

D. 302,755 8/1989 Zaliti D30/130

DESCRIPTION

FIG. 1 is a perspective view from the top and side of the pet food bowl showing my new design;
 FIG. 2 is a top plan view thereof;
 FIG. 3 is a side elevational view thereof, with all side views being the same; and
 FIG. 4 is a cross-sectional view thereof taken along line 4-4 of FIG. 2.

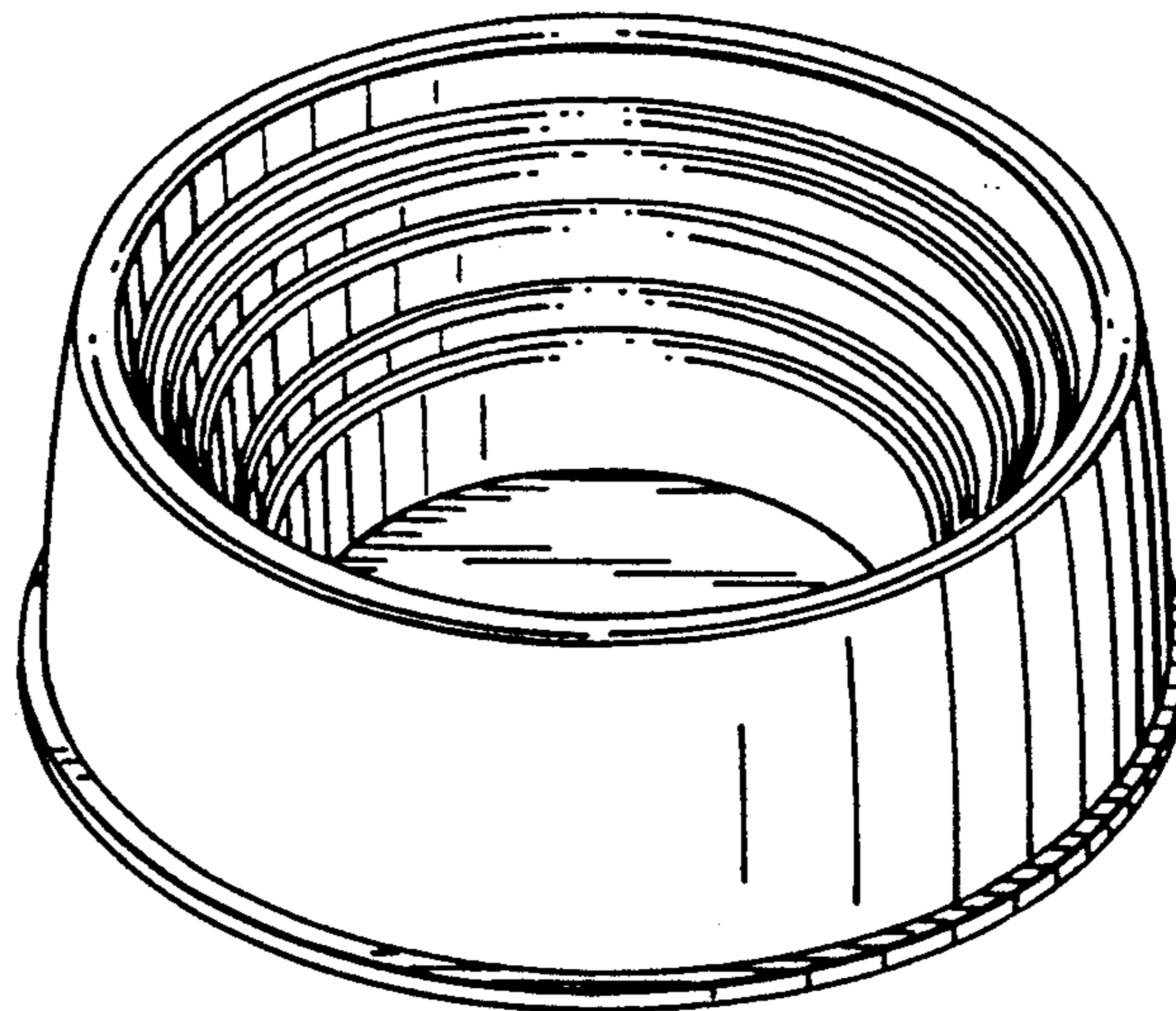


FIG-1

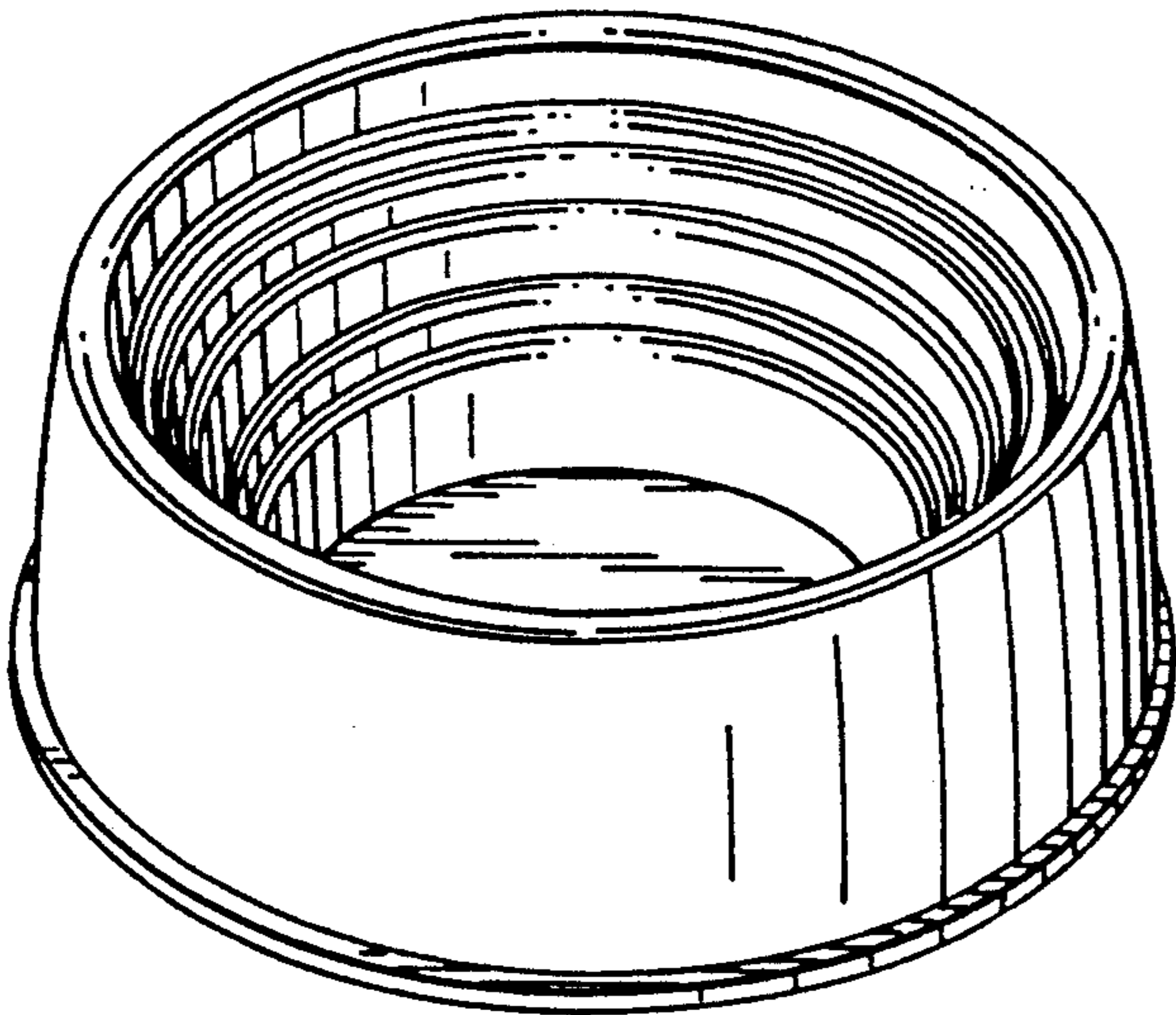


FIG-2

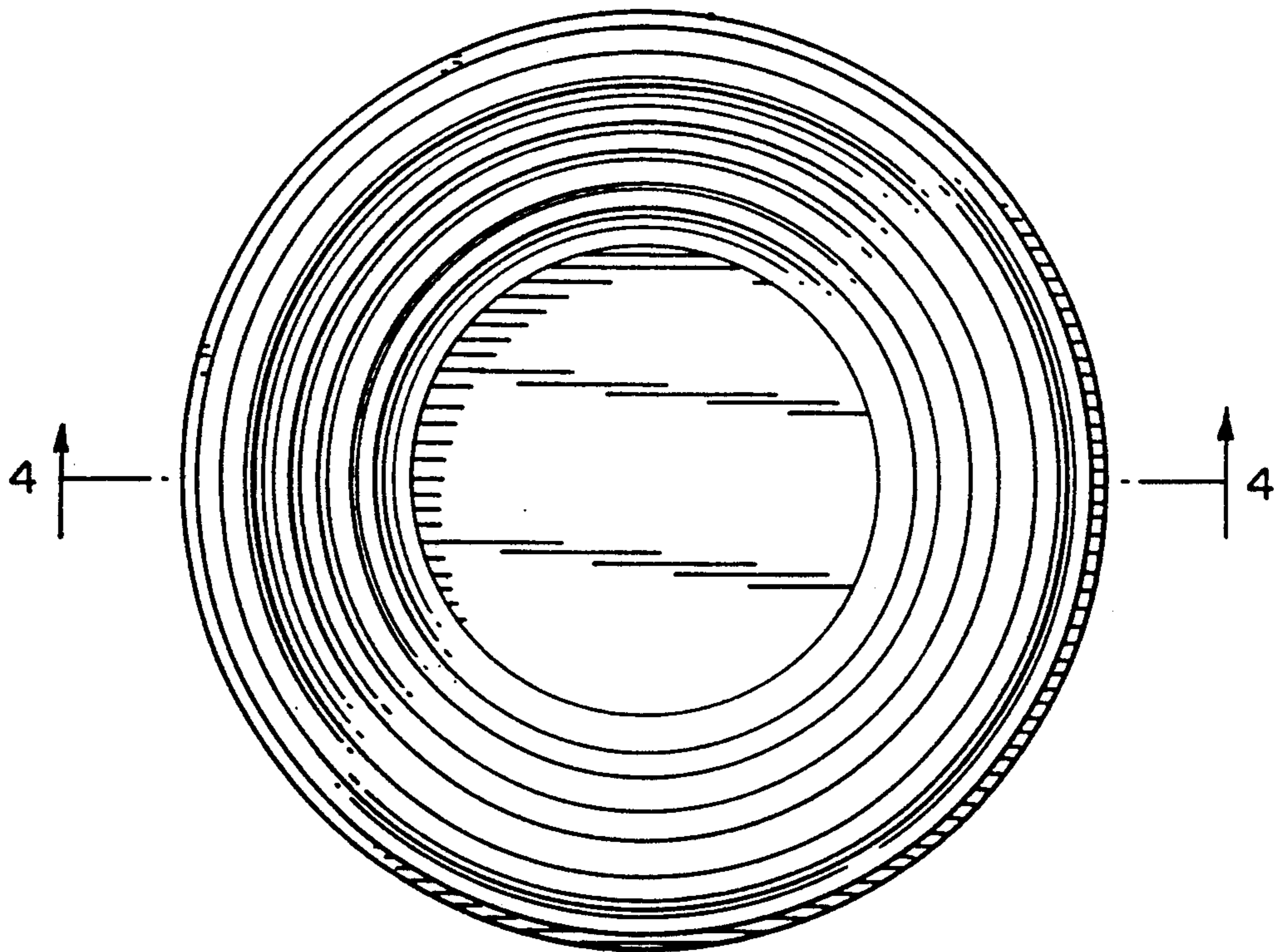


FIG-3

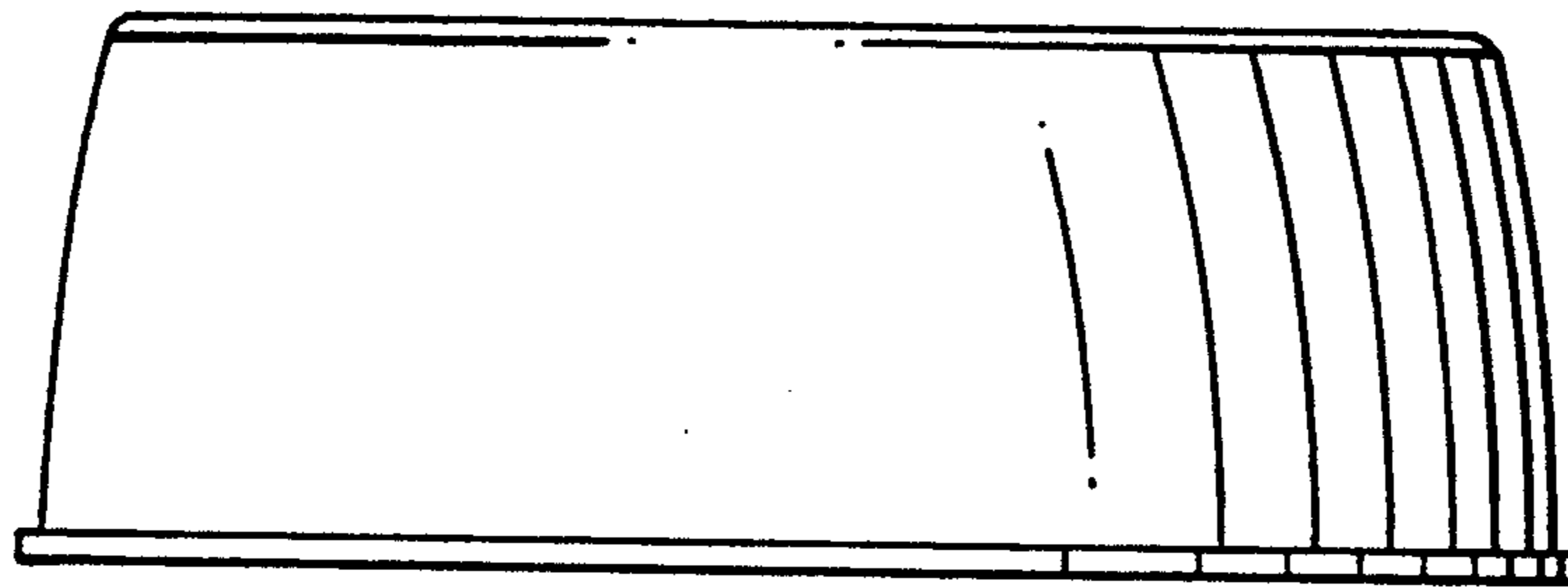


FIG-4

