

[54] INHALER

[76] Inventors: **Richard J. Blasdell**, 4233 E. Mountain View Rd., Phoenix, Ariz. 85028; **Raymond L. Blasdell**, 691 E. Fairway Dr., Litchfield Park, Ariz. 85340

[\*\*] Term: **14 Years**

[21] Appl. No.: **251,208**

[22] Filed: **Sep. 30, 1988**

[52] U.S. Cl. .... **D29/8**

[58] Field of Search ..... **D24/62; D29/7, 8; 128/206.26, 206.24, 205.25, 204.17, 207.13, 910, 206.28, 206.19; 126/205.24**

[56] **References Cited**

**U.S. PATENT DOCUMENTS**

D. 236,033	7/1975	Dryden	.....	D29/8
D. 247,982	5/1978	Huddy	.....	D29/8
D. 285,496	9/1986	Berman	.....	D29/8
1,206,045	11/1916	Smith	.....	128/206.24
1,491,674	4/1924	Coletti	.....	128/206.26 X
1,632,449	6/1927	McKesson	.....	128/207.13 X
1,896,716	2/1933	McKesson	.....	128/205.24 X

2,254,854	9/1941	O'Connell	.
2,749,910	6/1956	Falconer, Jr.	..... 128/206.24 X
2,917,045	12/1959	Schildknecht et al.	..... 128/206.24
4,248,218	2/1981	Fischer	..... 128/910
4,312,339	1/1982	Thompson, Sr.	.
4,412,537	11/1983	Tiger	.
4,601,287	7/1986	Royce, Jr.	..... 128/204.17
4,799,477	1/1989	Lewis	..... 128/205.25

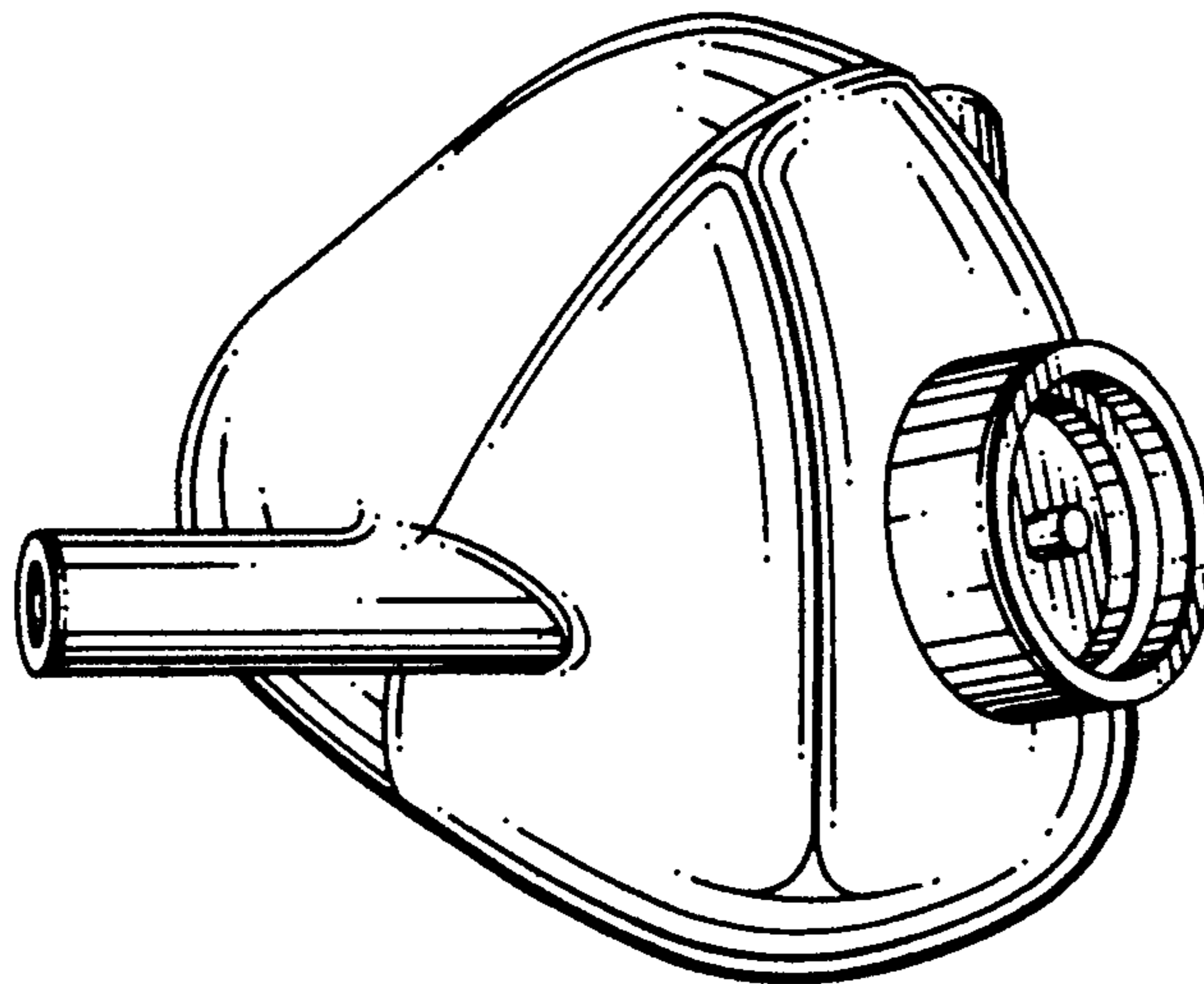
*Primary Examiner*—A. Hugo Word  
*Assistant Examiner*—Doris V. Coles  
*Attorney, Agent, or Firm*—Don J. Flickinger; Jordan M. Meschkow

[57] **CLAIM**

The ornamental design for an inhaler, as shown and described.

**DESCRIPTION**

FIG. 1 is a perspective view of an inhaler showing our new design;  
FIG. 2 is a left side elevational view, the right side being mirror image thereof;  
FIG. 3 is a front elevational view thereof;  
FIG. 4 is a rear elevational view thereof;  
FIG. 5 is a bottom plan view thereof; and  
FIG. 6 is a top plan view thereof.



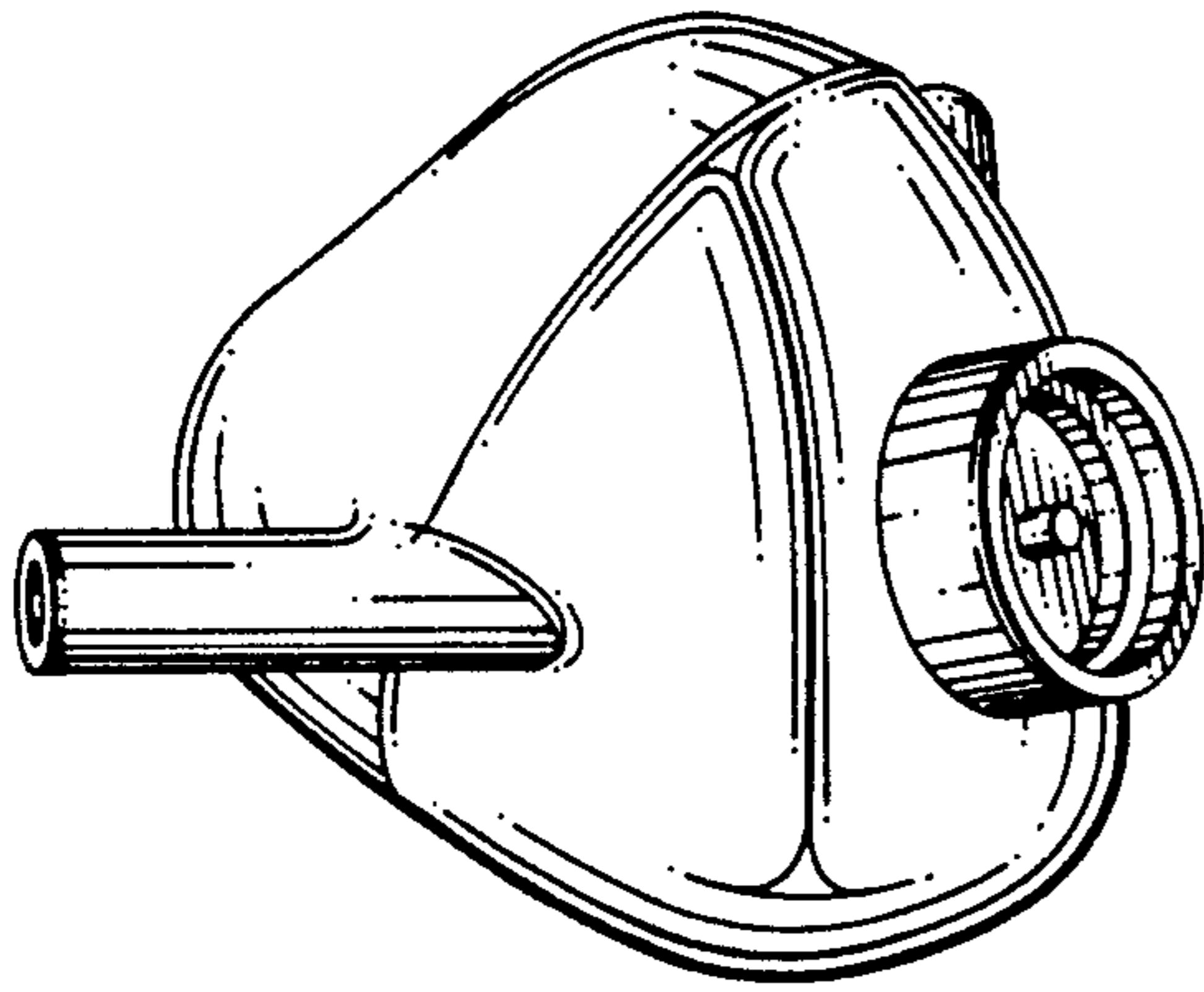


FIG. 1

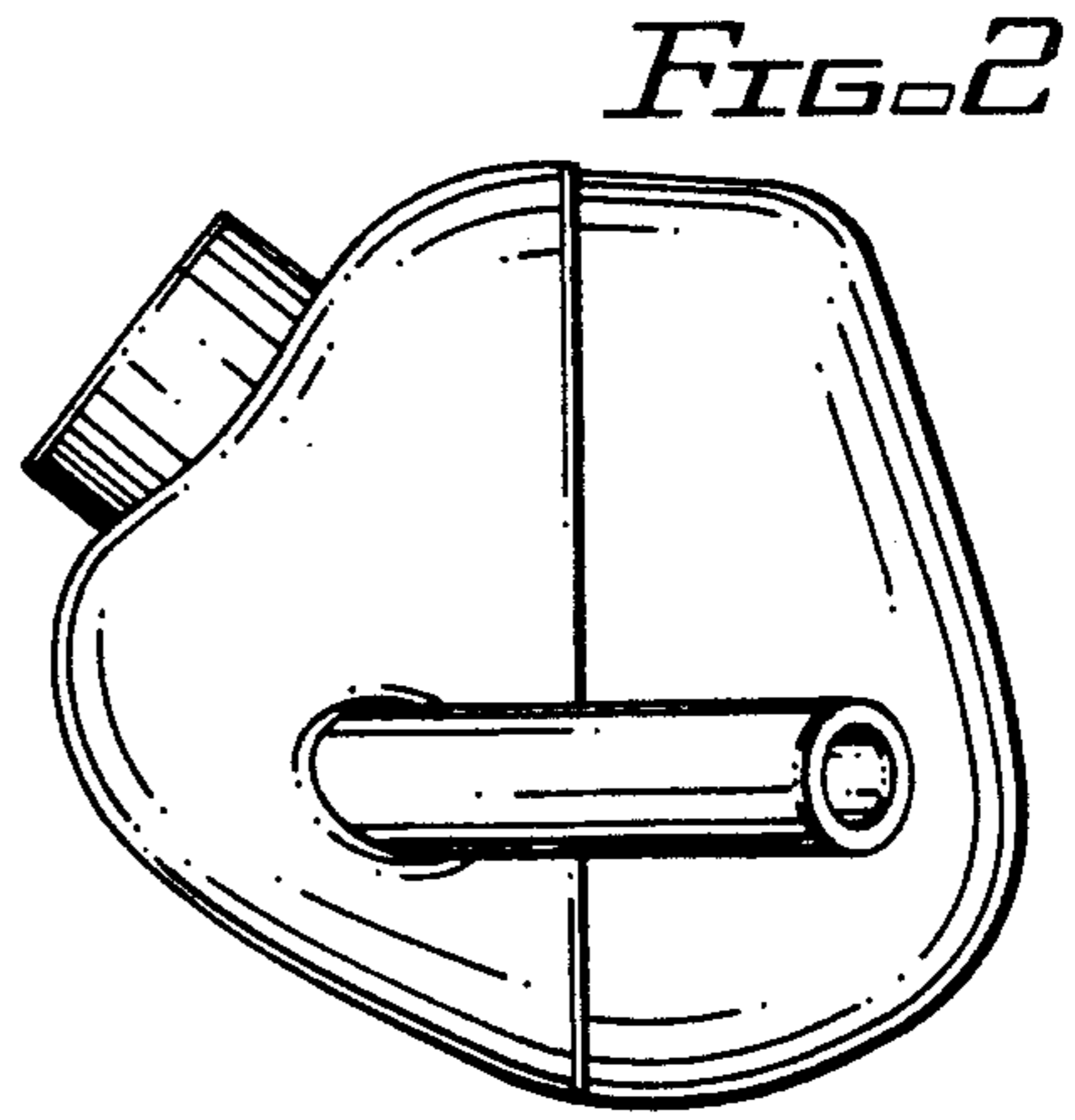


FIG. 2

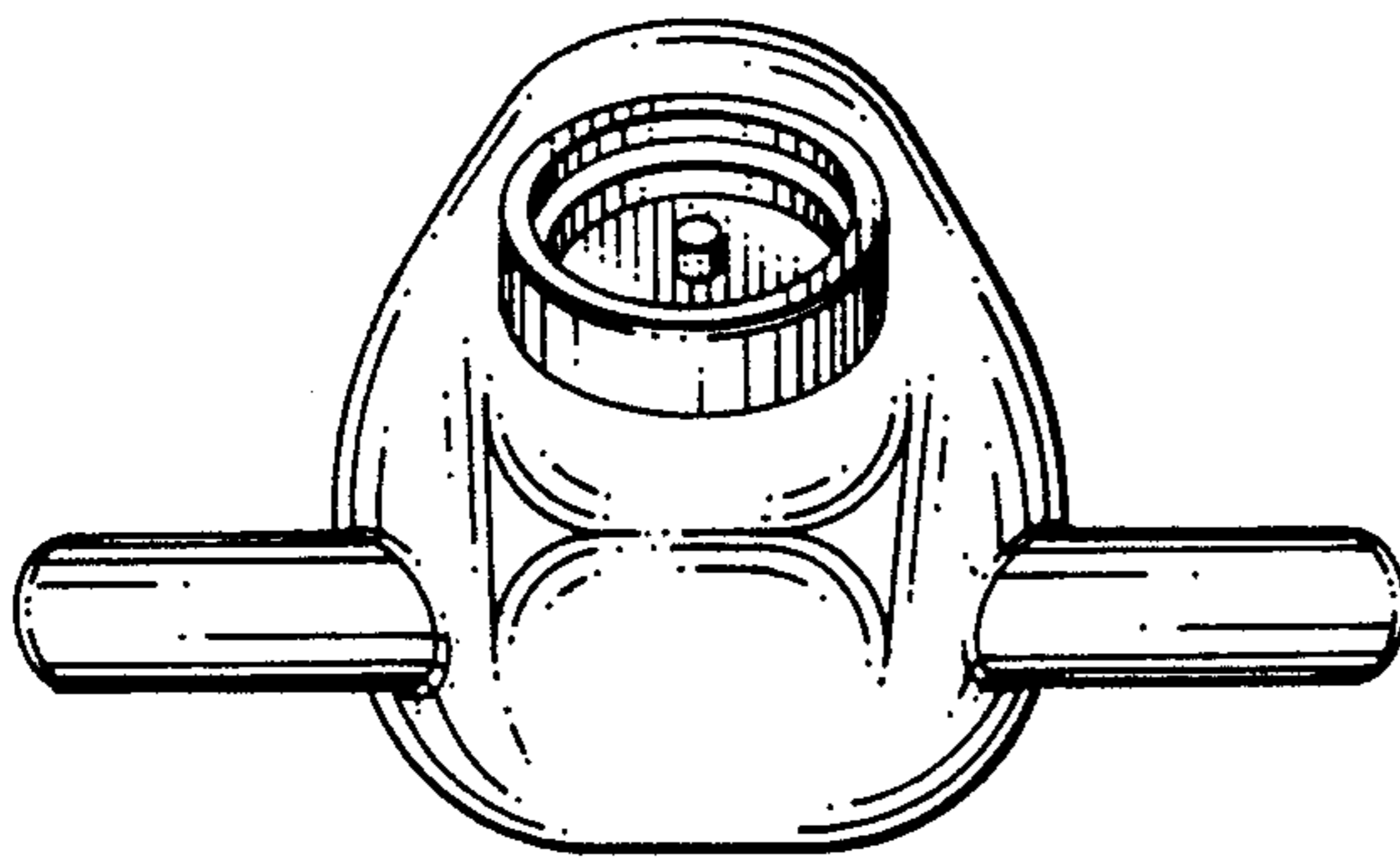


FIG. 3

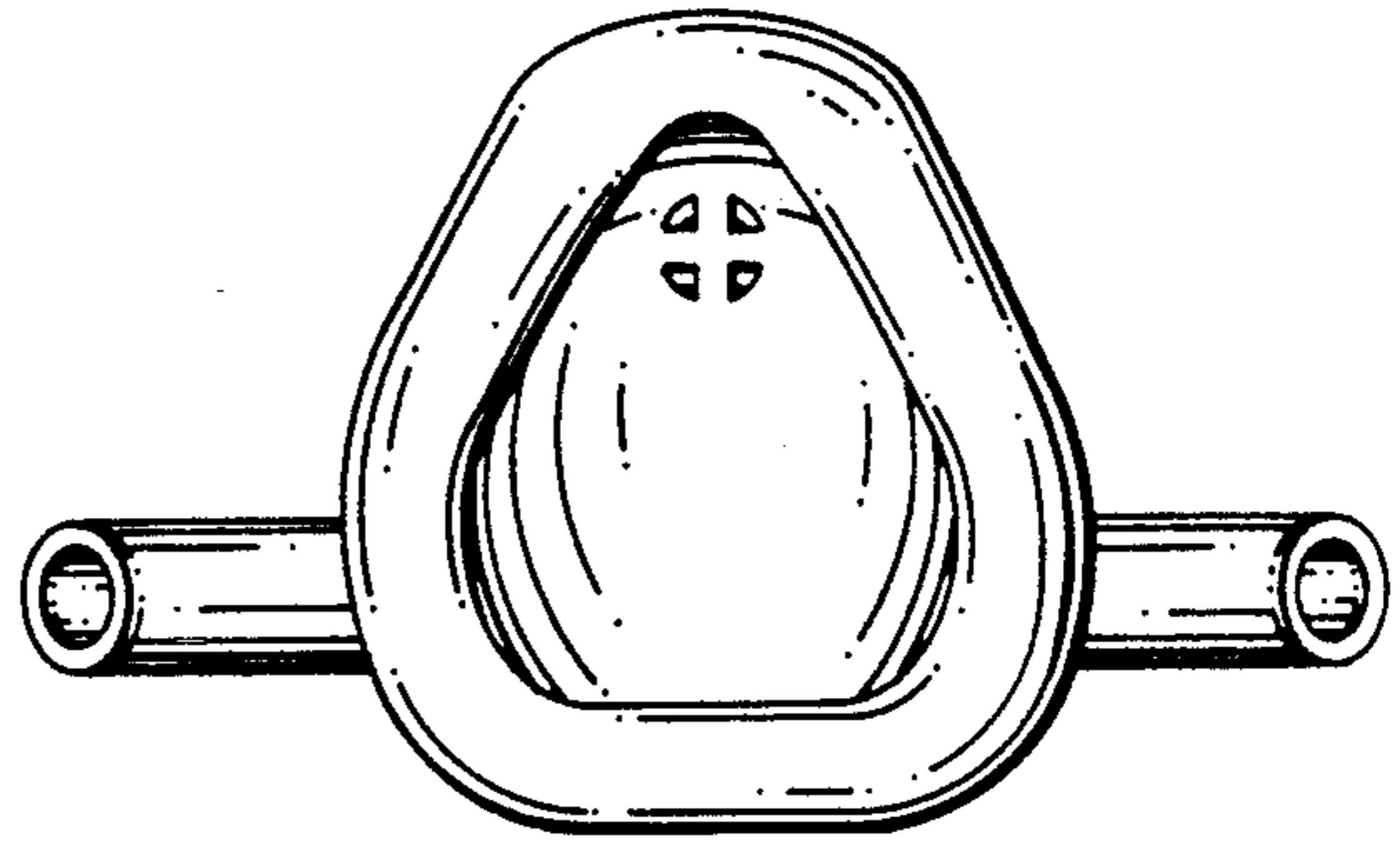


FIG. 4

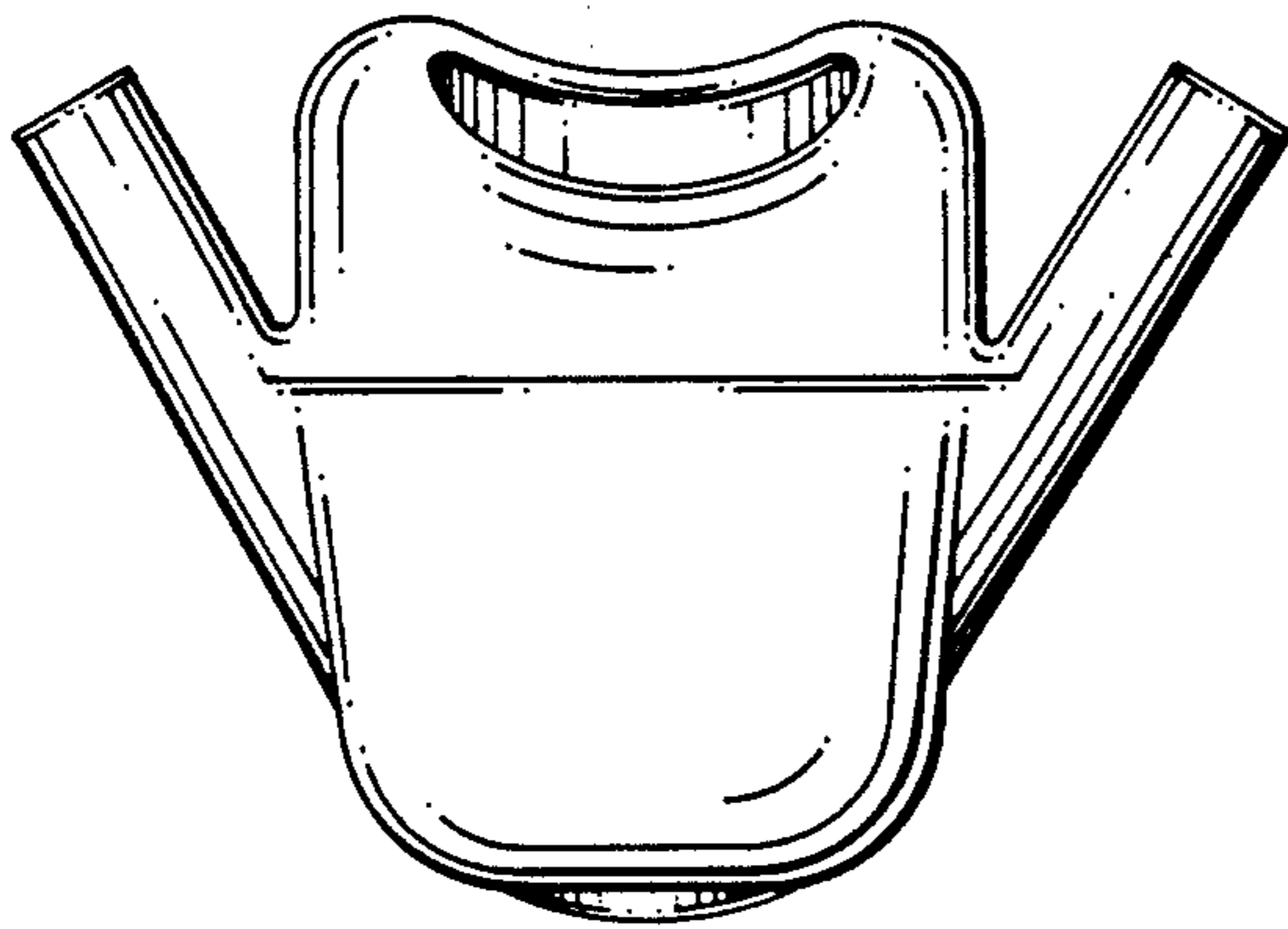


FIG. 5

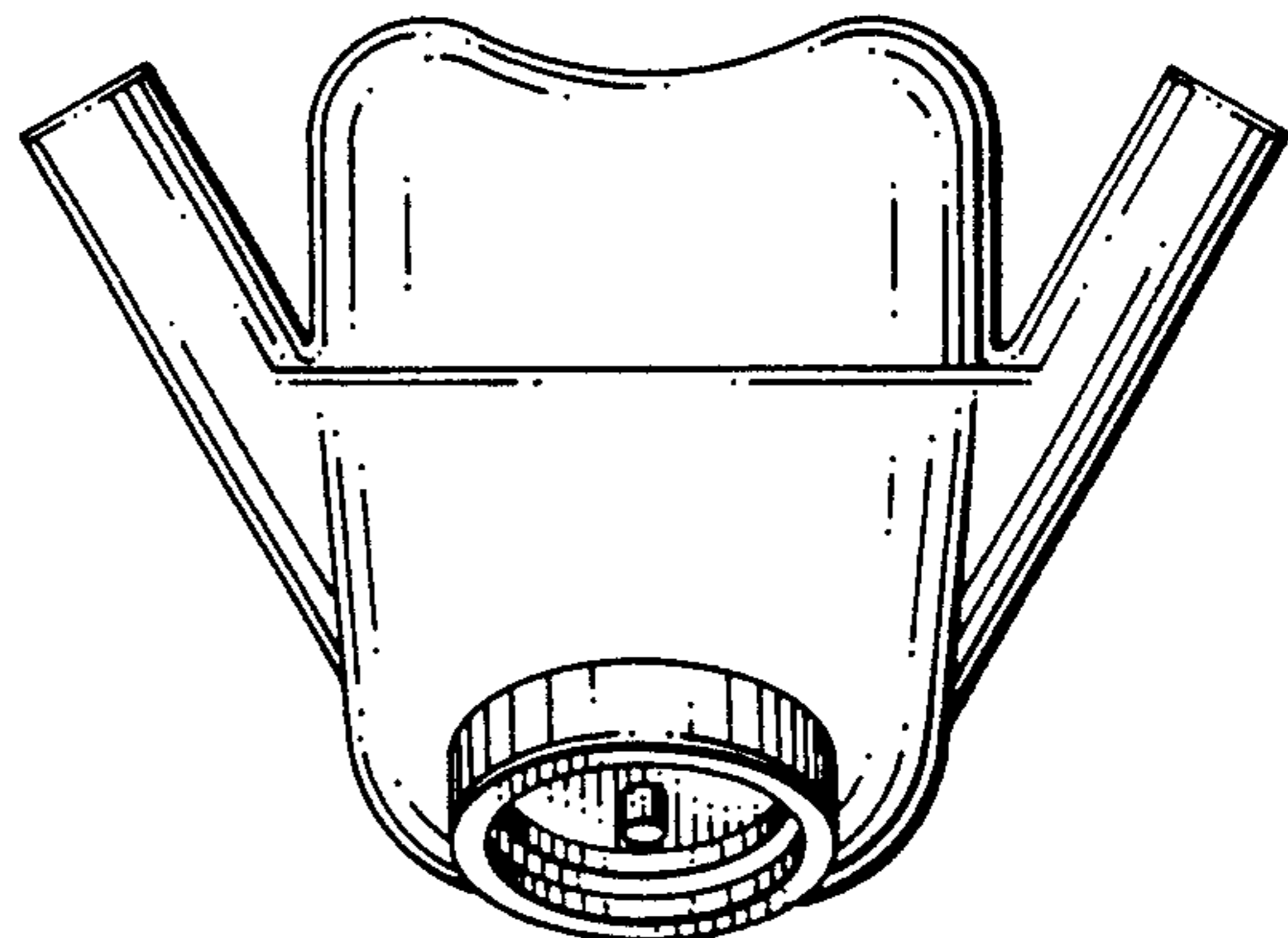


FIG. 6