

[54] SEALING MEMBER

[75] Inventor: Werner E. Schalle, Upper Beconsfield, Australia

[73] Assignee: Aquarius Rubber (Aust.) Pty. Ltd., Victoria, Australia

[**] Term: 14 Years

[21] Appl. No.: 232,784

[22] Filed: Aug. 16, 1988

[30] Foreign Application Priority Data

May 27, 1988 [AU] Australia 1729/88

[52] U.S. Cl. D25/199

[58] Field of Search D23/259-261; D25/36, 55, 199; 277/200, 212 F, 212 FB, 207 R; 285/42-44; 404/25, 26, 31

[56] References Cited

U.S. PATENT DOCUMENTS

D. 216,693 3/1970 Dammer D25/199

D. 269,454 6/1983 Houseman D25/199

D. 292,233	10/1987	Schalle	D25/199
D. 292,234	10/1987	Schalle	D25/199
1,317,446	9/1919	Hollaender, Jr.	285/44
4,160,347	7/1979	Logsdon	285/42 X
4,664,390	5/1987	Houseman	285/42 X
4,768,812	9/1988	Katz	285/43

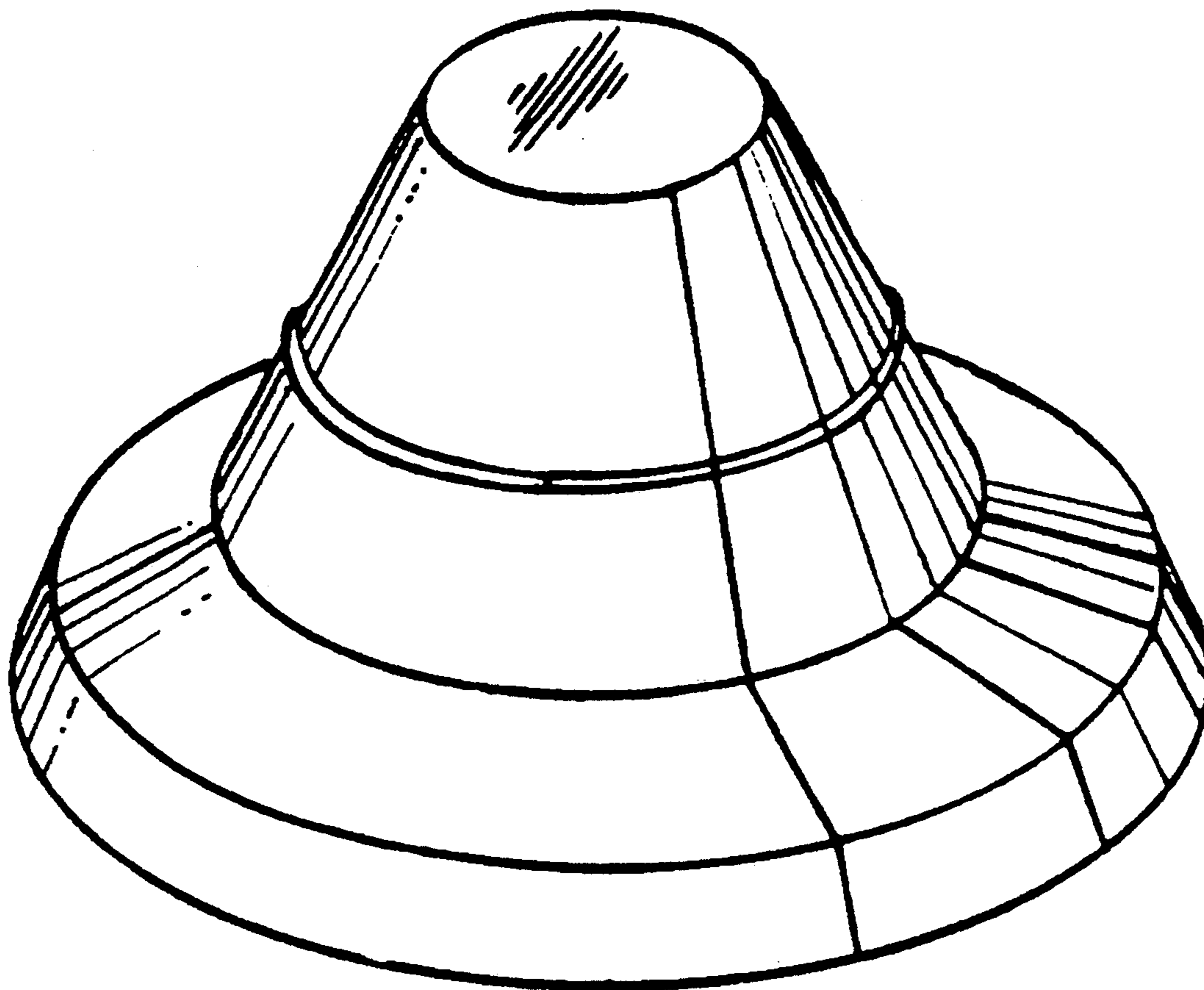
Primary Examiner—Nelson C. Holtje
Assistant Examiner—Antoine D. Davis
Attorney, Agent, or Firm—Browdy and Neimark

[57] CLAIM

The ornamental design for a sealing member, as shown and described.

DESCRIPTION

FIG. 1 is a bottom plan view of a sealing member showing my new design;
FIG. 2 is a right side elevational view, with the left side elevational view being identical;
FIG. 3 is a top plan view;
FIG. 4 is a cross-sectional view taken along line 4—4 of FIG. 2; and
FIG. 5 is a top and left side elevational view thereof.



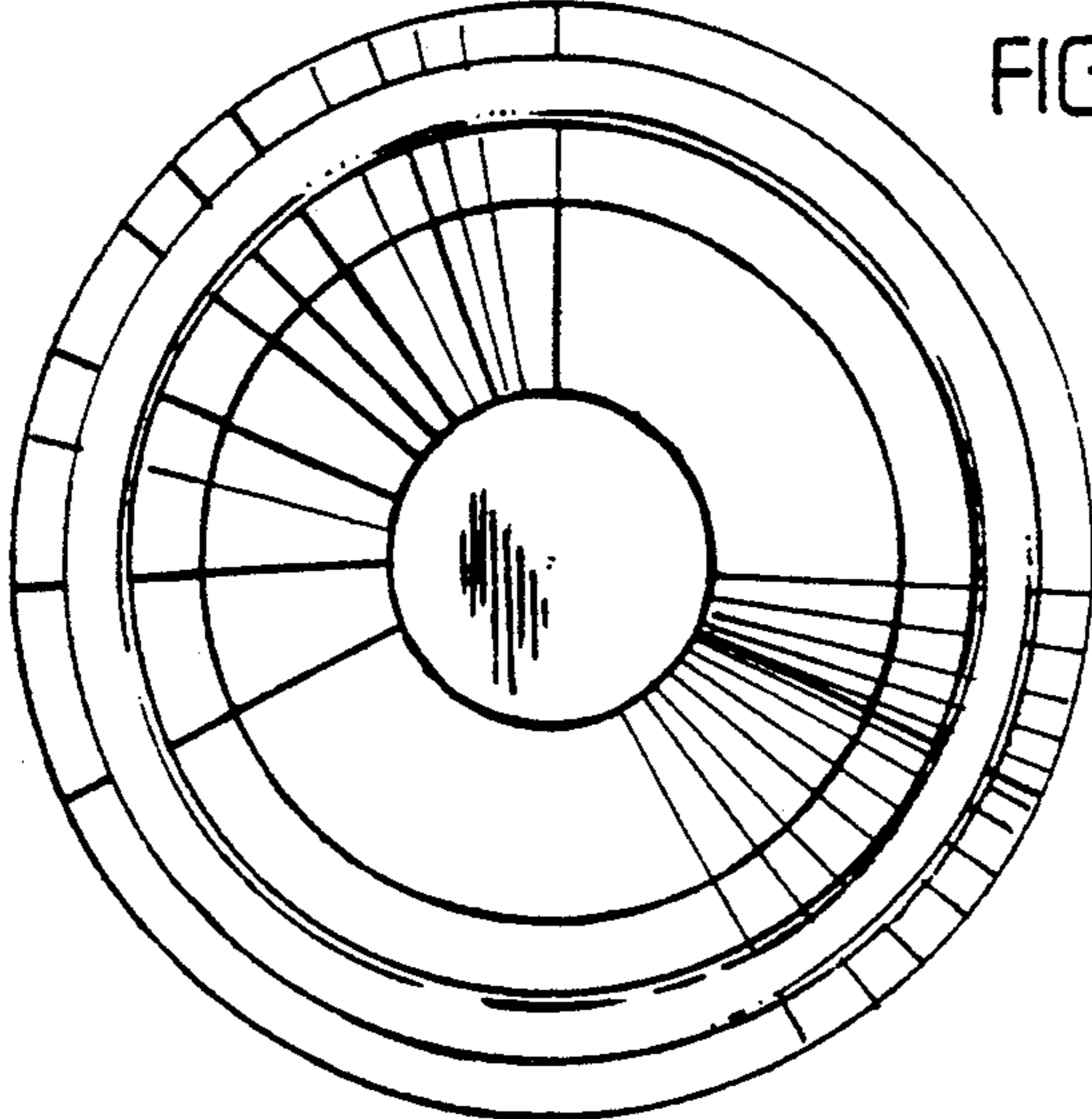


FIG 1

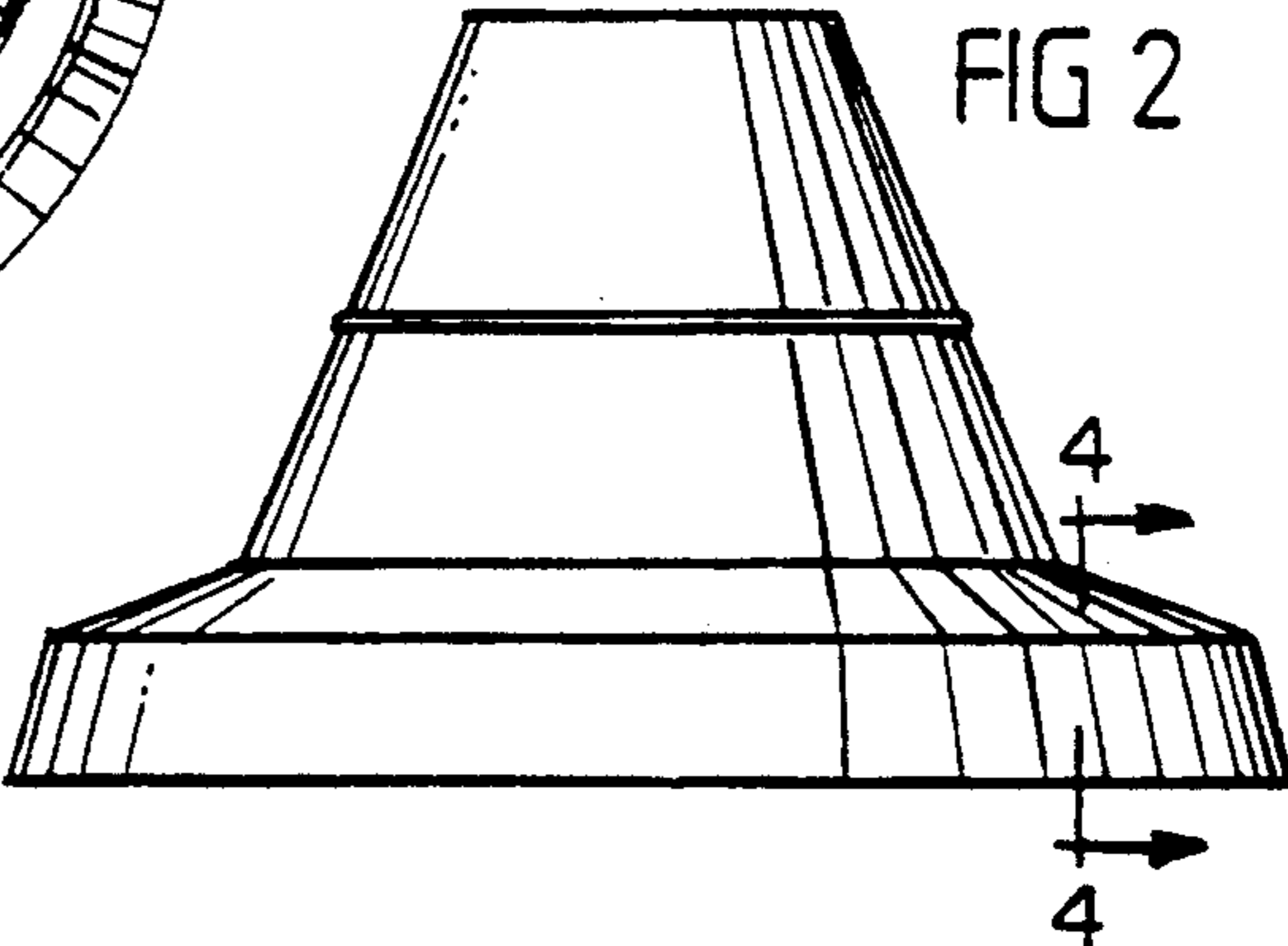


FIG 2

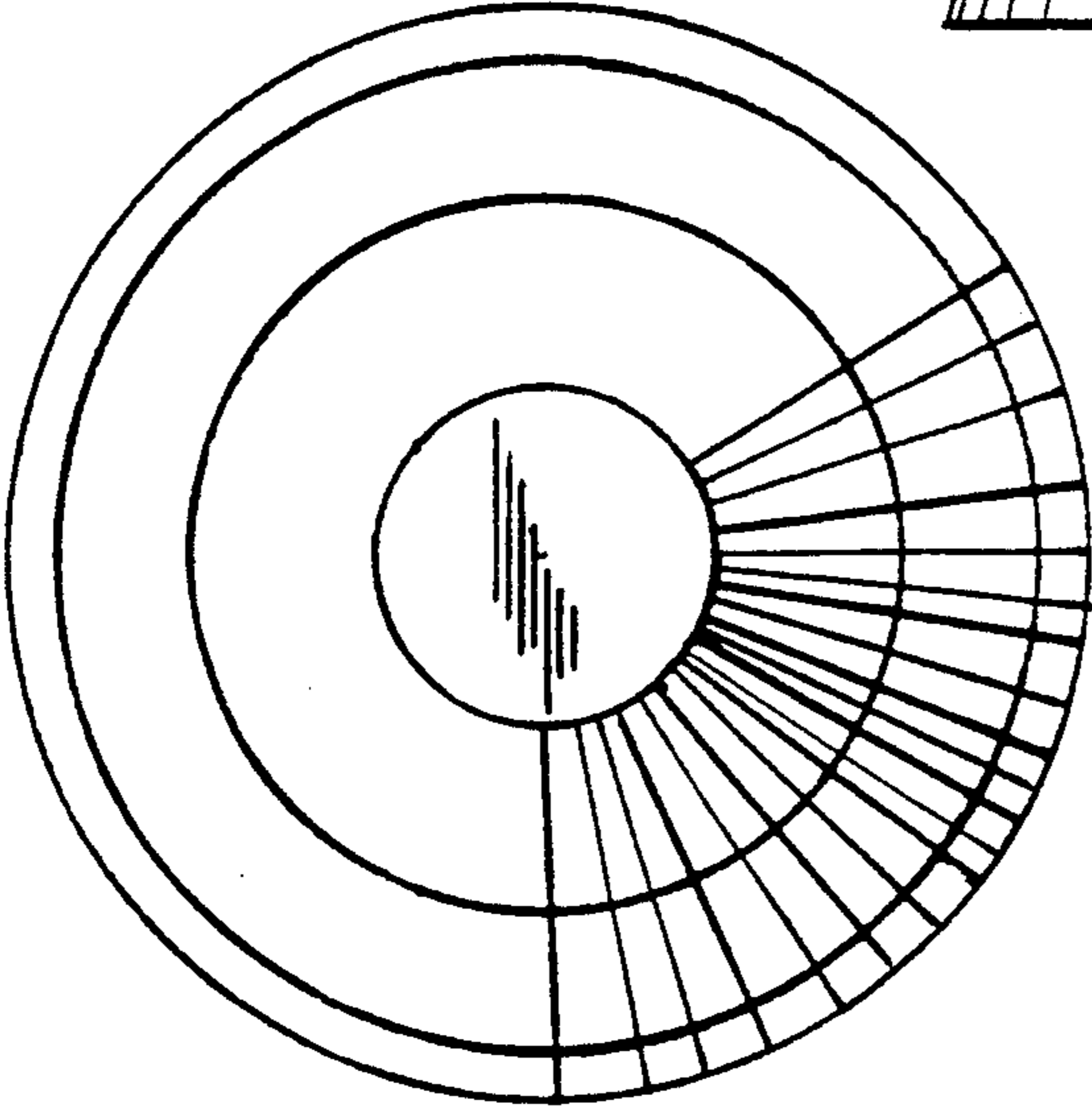


FIG 3

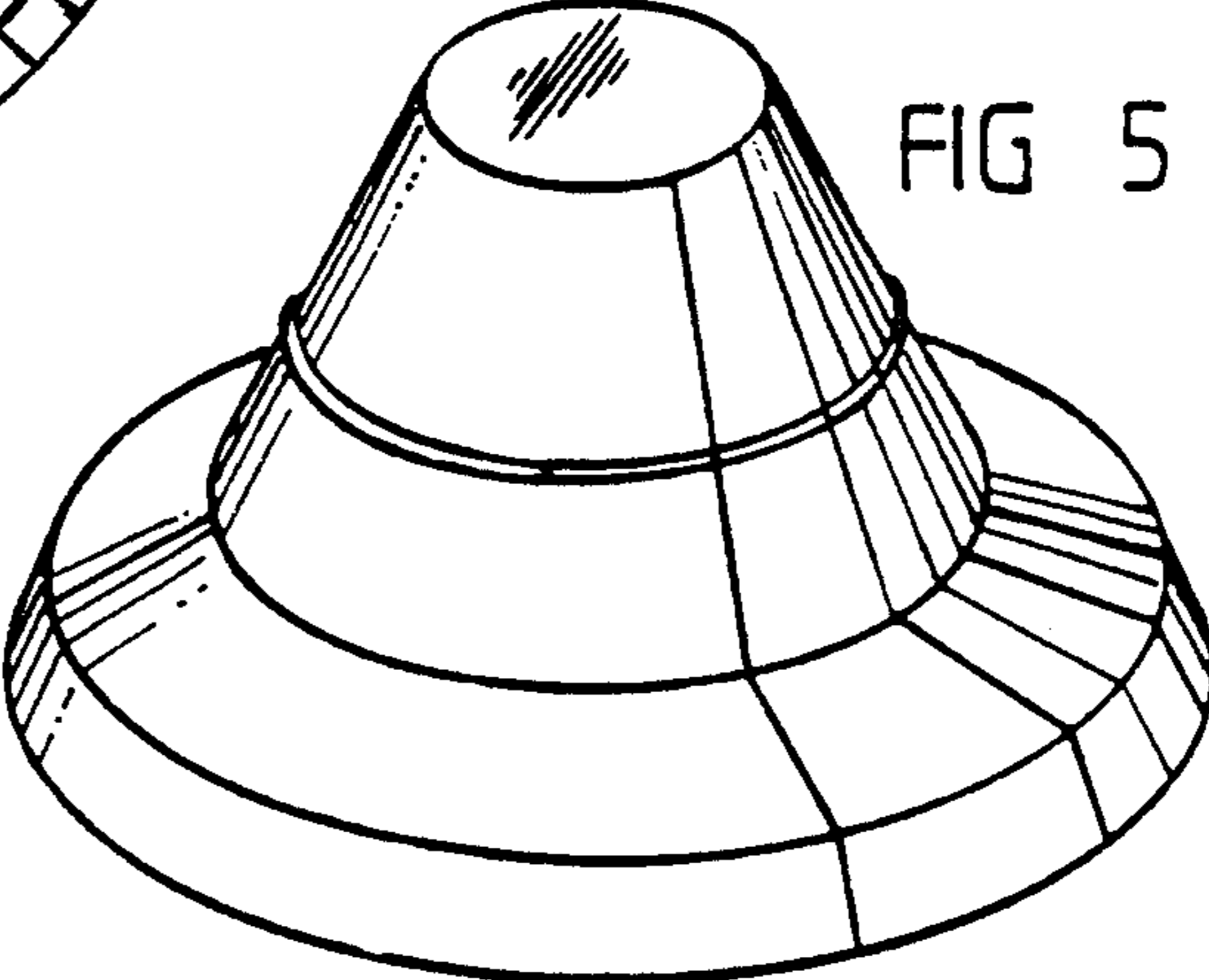


FIG 5

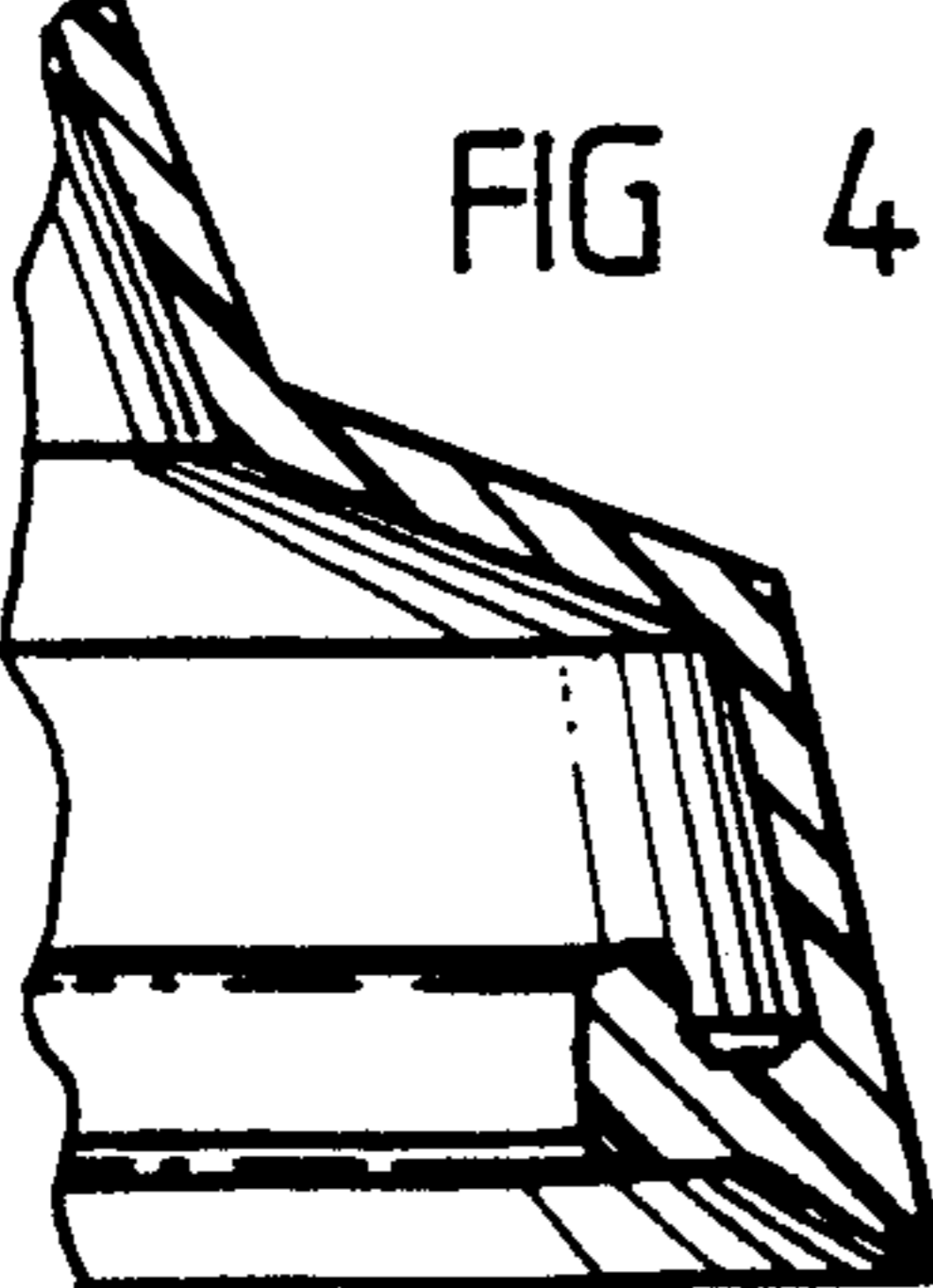


FIG 4