

[54] MEDICAL ARM PILLOW FOR USE IN MEASURING BLOOD PRESSURE

[75] Inventor: Per Ljungvall, Malmö, Sweden

[73] Assignee: Clinova Medical AB, Malmo, Sweden

[**] Term: 14 Years

[21] Appl. No.: 321,470

[22] Filed: Mar. 9, 1989

[52] U.S. Cl. D24/183; D6/601

[58] Field of Search D24/34, 64; 5/464, 434, 5/443, 431; D6/601

[56] References Cited

U.S. PATENT DOCUMENTS

D. 211,244 6/1968 Hawley D6/601

D. 222,349	10/1971	Sorensen	D6/601
D. 296,932	7/1988	Tranghese	D24/183
4,071,031	1/1978	Lowman	D24/64 X
4,265,232	5/1981	Stonich	5/443 X
4,270,235	6/1981	Gutmann	5/431

Primary Examiner—Stella Reid
Attorney, Agent, or Firm—Merchant & Gould, Smith, Edell, Welter & Schmidt

[57] CLAIM

The ornamental design for a medical arm pillow for use in measuring blood pressure, as shown.

DESCRIPTION

FIG. 1 is a top perspective view of a medical arm pillow for use in measuring blood pressure, showing my new design; and

FIG. 2 is a bottom perspective view thereof.

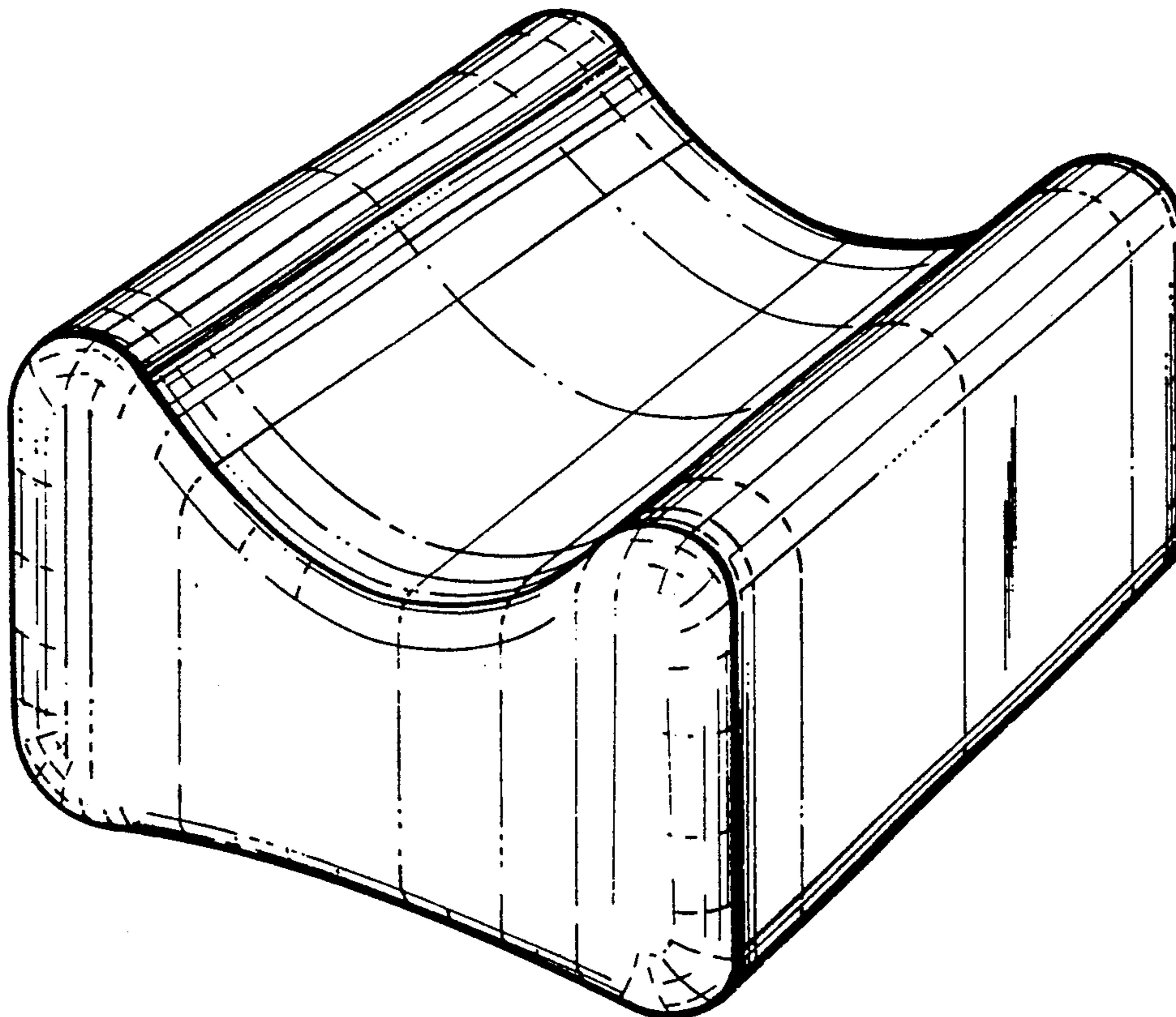


FIG. 1

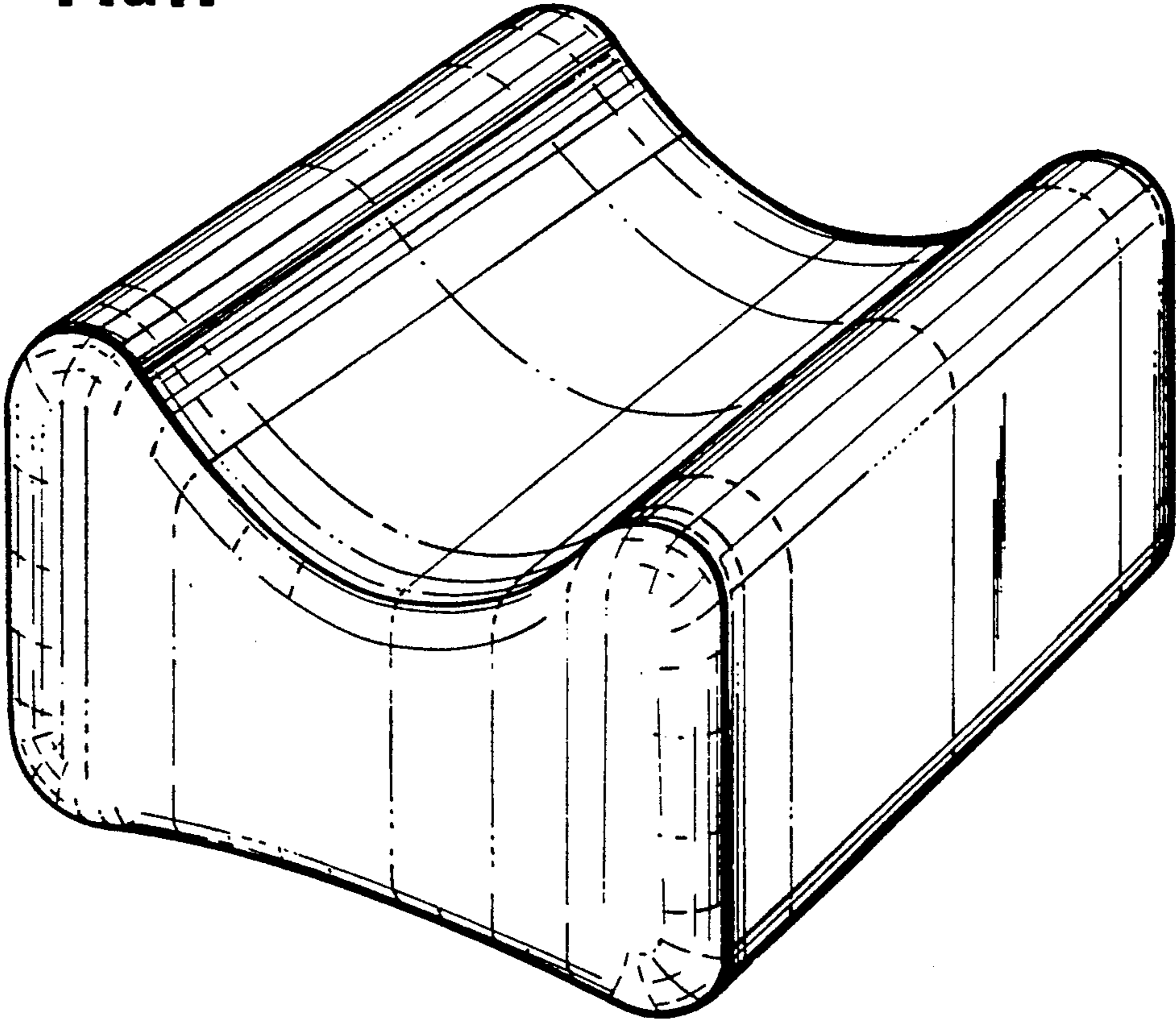


FIG. 2

