

United States Patent [19]

Kienholz

[11] Patent Number: **Des. 321,559**

[45] Date of Patent: **** Nov. 12, 1991**

[54] **INFUSION PUMP CARTRIDGE**

[75] Inventor: **Charles M. Kienholz**, San Dimas, Calif.

[73] Assignee: **I-Flow Corporation**, Irvine, Calif.

[**] Term: **14 Years**

[21] Appl. No.: **301,431**

[22] Filed: **Jan. 24, 1989**

[52] U.S. Cl. **D24/111**

[58] Field of Search **D24/51, 52; 604/153, 604/152, 67, 246; 128/DIG. 12**

[56] **References Cited**

U.S. PATENT DOCUMENTS

4,067,332 1/1978 O'Leary 604/152

4,741,736 5/1988 Brown 604/134

Primary Examiner—Stella Reid

Attorney, Agent, or Firm—Robert M. Asher

[57] **CLAIM**

The ornamental design for an infusion pump cartridge, as shown and described.

DESCRIPTION

FIG. 1 is a perspective view of an infusion pump cartridge, showing my new design;

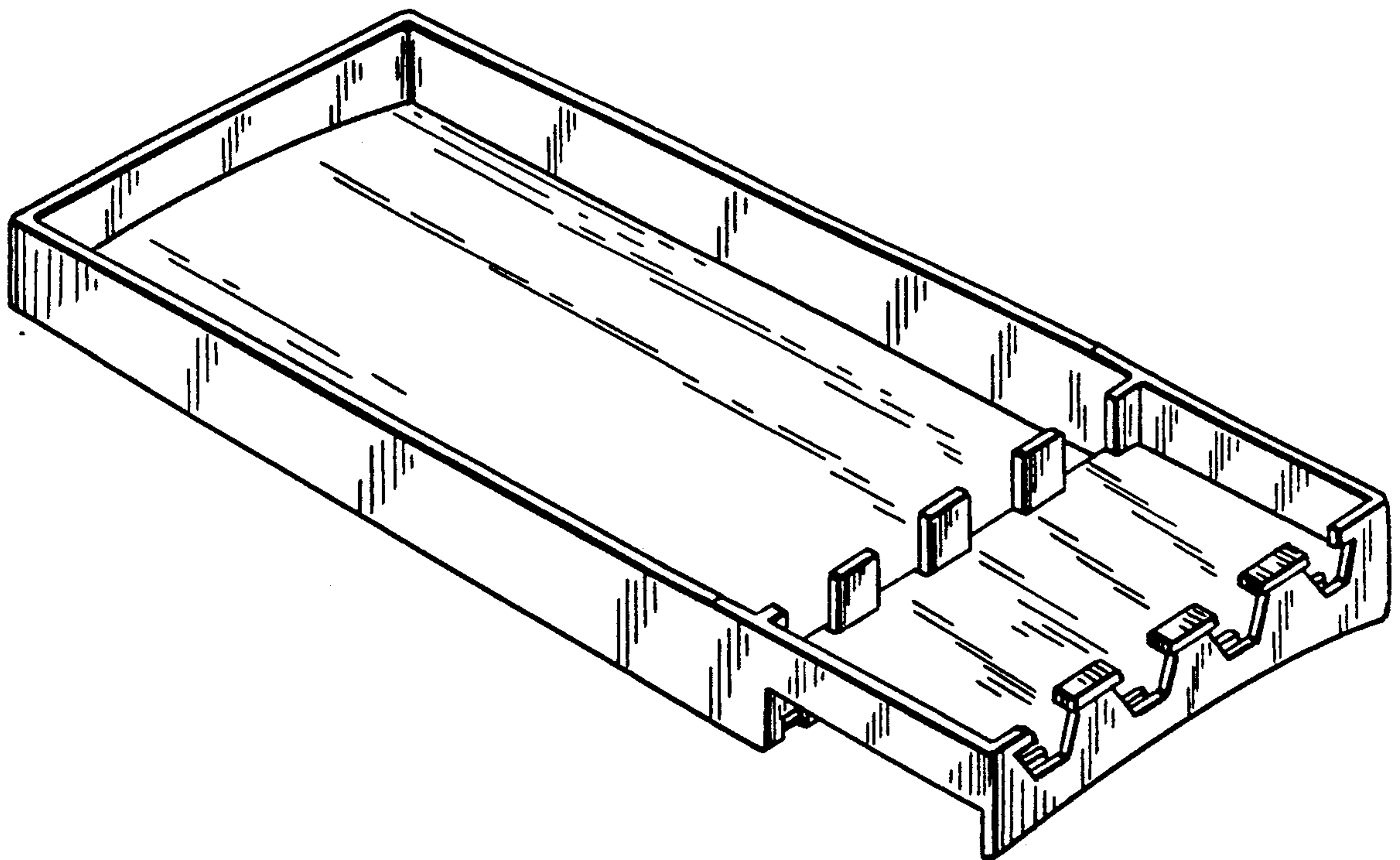
FIG. 2 is a top plan view thereof;

FIG. 3 is a side elevational view thereof, the opposite side elevational view being identical thereto;

FIG. 4 is a front elevational view thereof; and

FIG. 5 is a rear elevational view thereof.

The bottom of the article is substantially plain and unornamented.



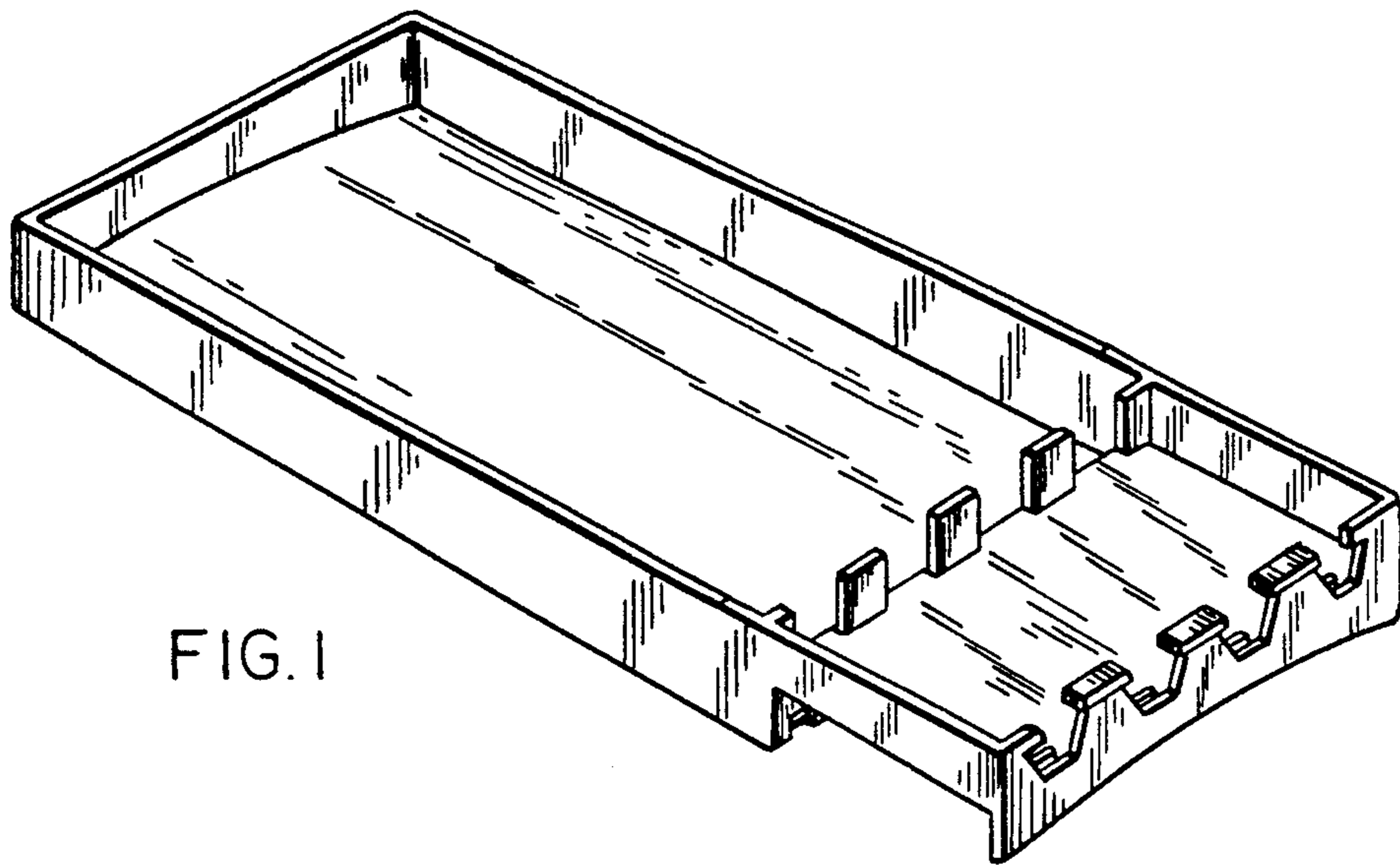


FIG. 1

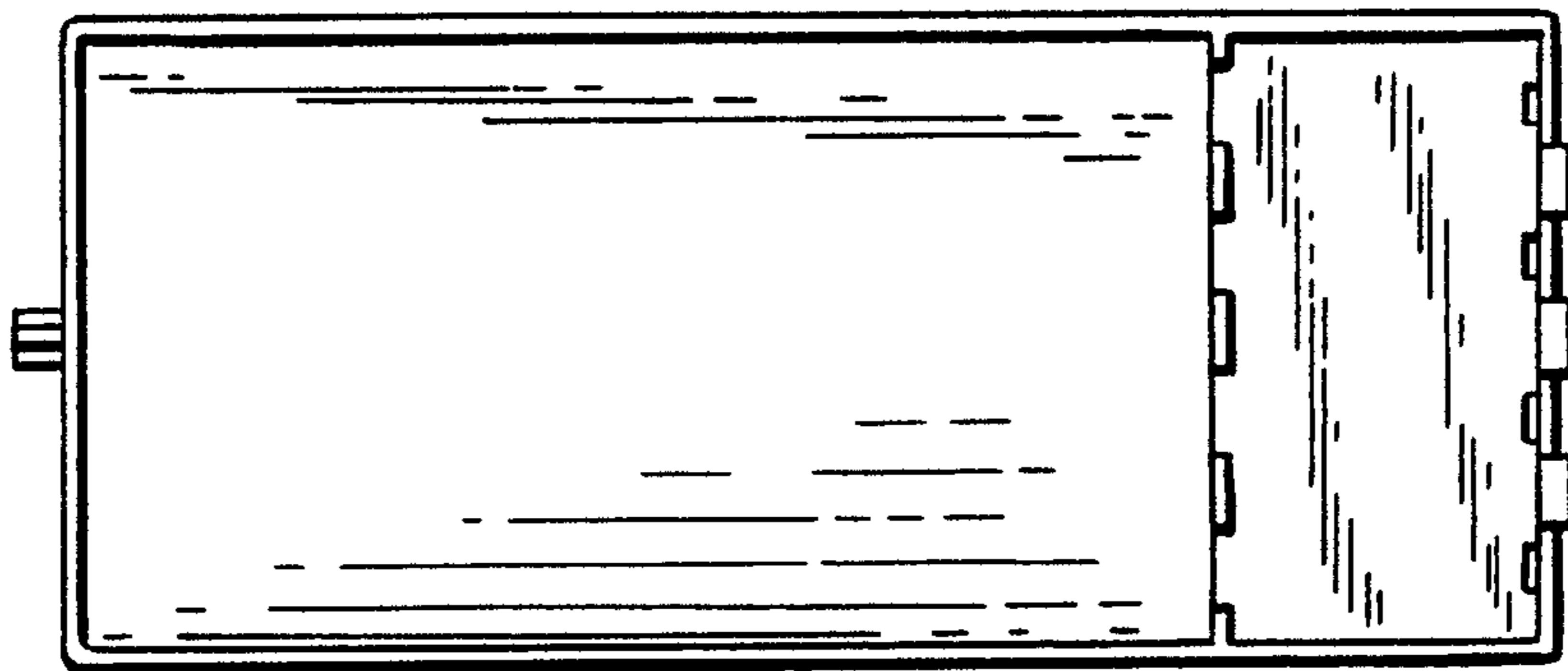


FIG. 2

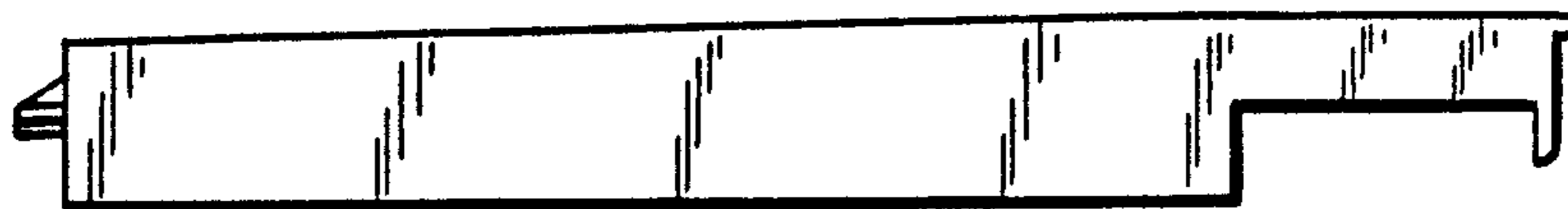


FIG. 3

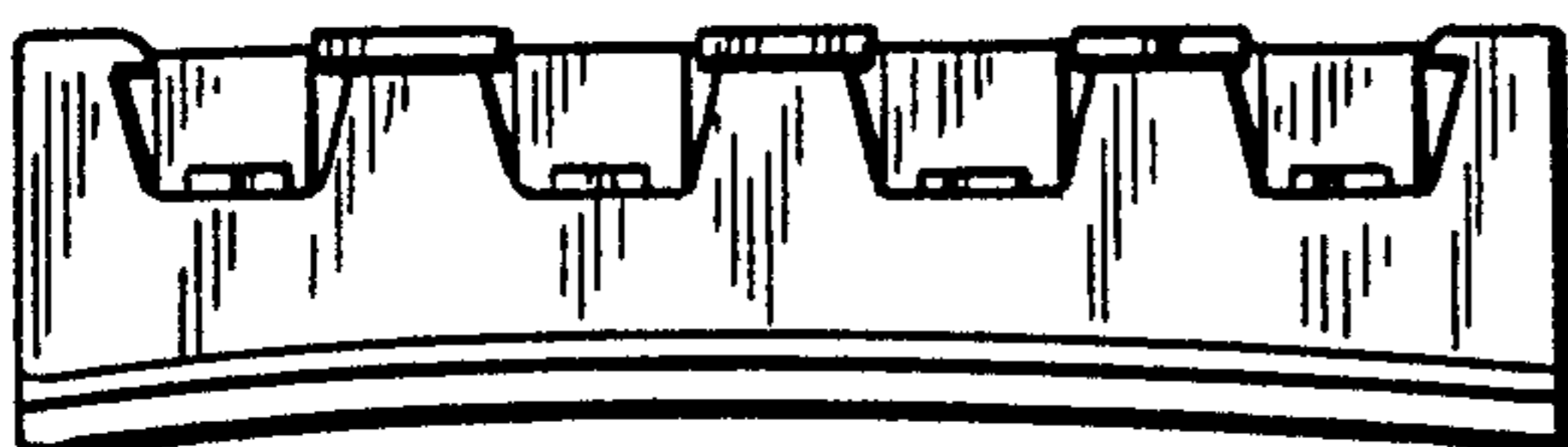


FIG. 4

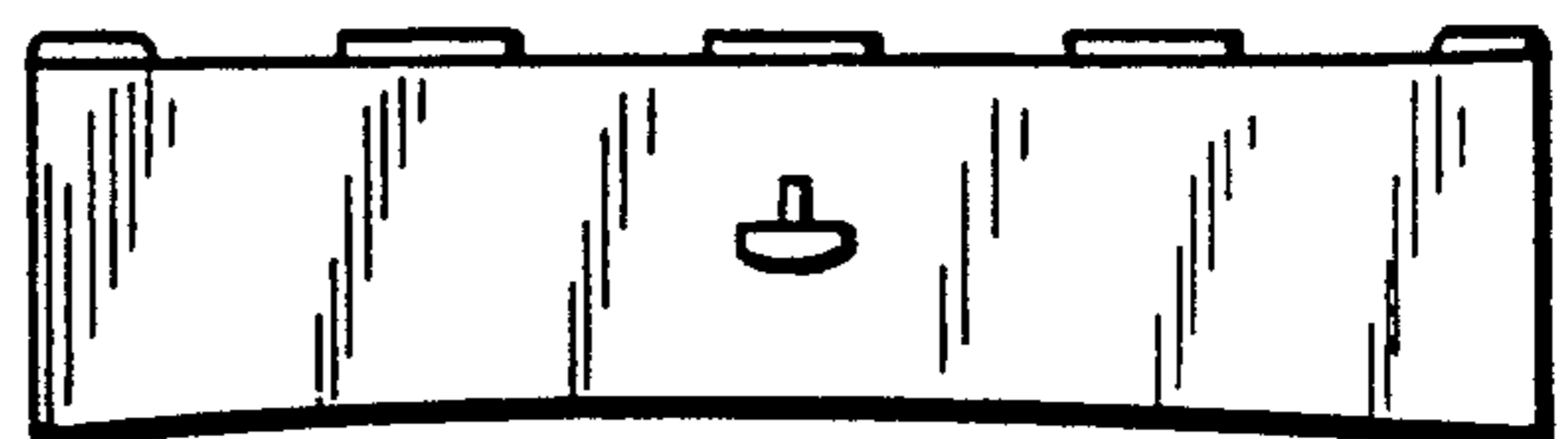


FIG. 5