

[54] FOUNDATION VENT

[76] Inventors: William J. Bezick; Daniel R. D'Amico, both of 175 N. Cedar St., Hazleton, Pa. 18201

[\*\*] Term: 14 Years

[21] Appl. No.: 495,318

[22] Filed: Mar. 19, 1990

[52] U.S. Cl. .... D23/393

[58] Field of Search ..... D23/370, 371, 393, 392, D23/390, 387, 388, 391; 52/302, 303; 98/29, 119, 121.1

[56] References Cited

U.S. PATENT DOCUMENTS

D. 259,277	5/1981	McDermott	.....	D23/393
1,677,421	7/1928	Yager et al.	.....	98/29
2,309,717	2/1943	Siebenlist	.....	D23/392
3,285,155	11/1966	Maltenfort	.....	98/119
4,026,082	5/1977	Crofoot	.....	52/302
4,498,624	2/1985	Kogut	.....	98/119
4,723,533	2/1988	Cover	.....	98/119

FOREIGN PATENT DOCUMENTS

2520779 8/1983 France ..... 52/302

Primary Examiner—James M. Gandy  
Assistant Examiner—Lisa Lichtenstein  
Attorney, Agent, or Firm—Richard C. Litman

[57] CLAIM

The ornamental design for a foundation vent, as shown and described.

DESCRIPTION

FIG. 1 is a top, front perspective view of a foundation vent, showing our new design, with the vent louvers in an open position;  
FIG. 2 is a right side elevation view thereof, the left side elevation being a mirror image;  
FIG. 3 is a top plan view thereof, the bottom plan view being a mirror image;  
FIG. 4 is a front elevation view thereof showing the vent louvers in a partially open position; and  
FIG. 5 is a rear elevation view thereof.  
The broken-line showing of environmental structure in FIGS. 1-3, is for illustrative purposes only and forms no part of the claimed design.

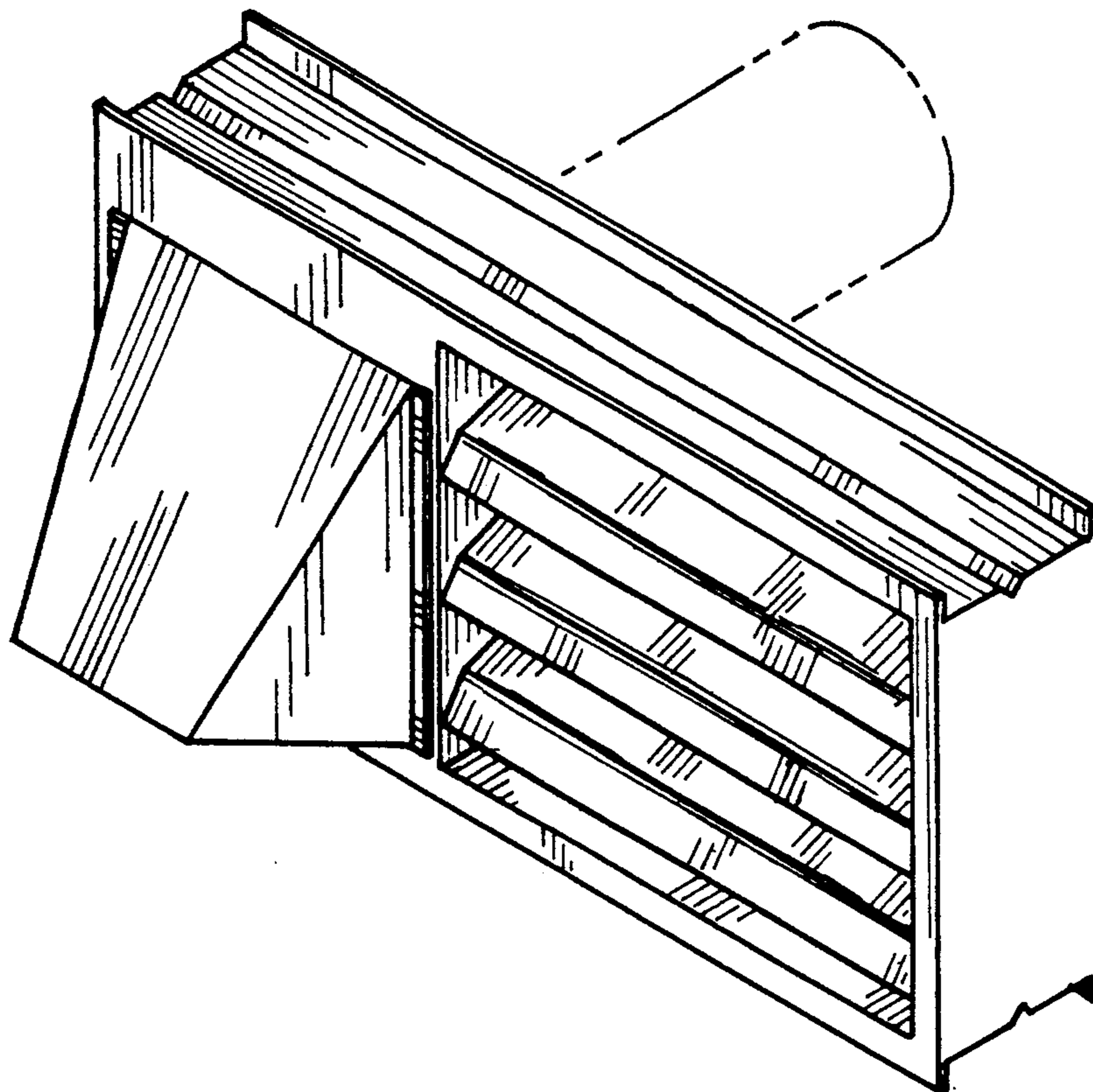


Fig 1

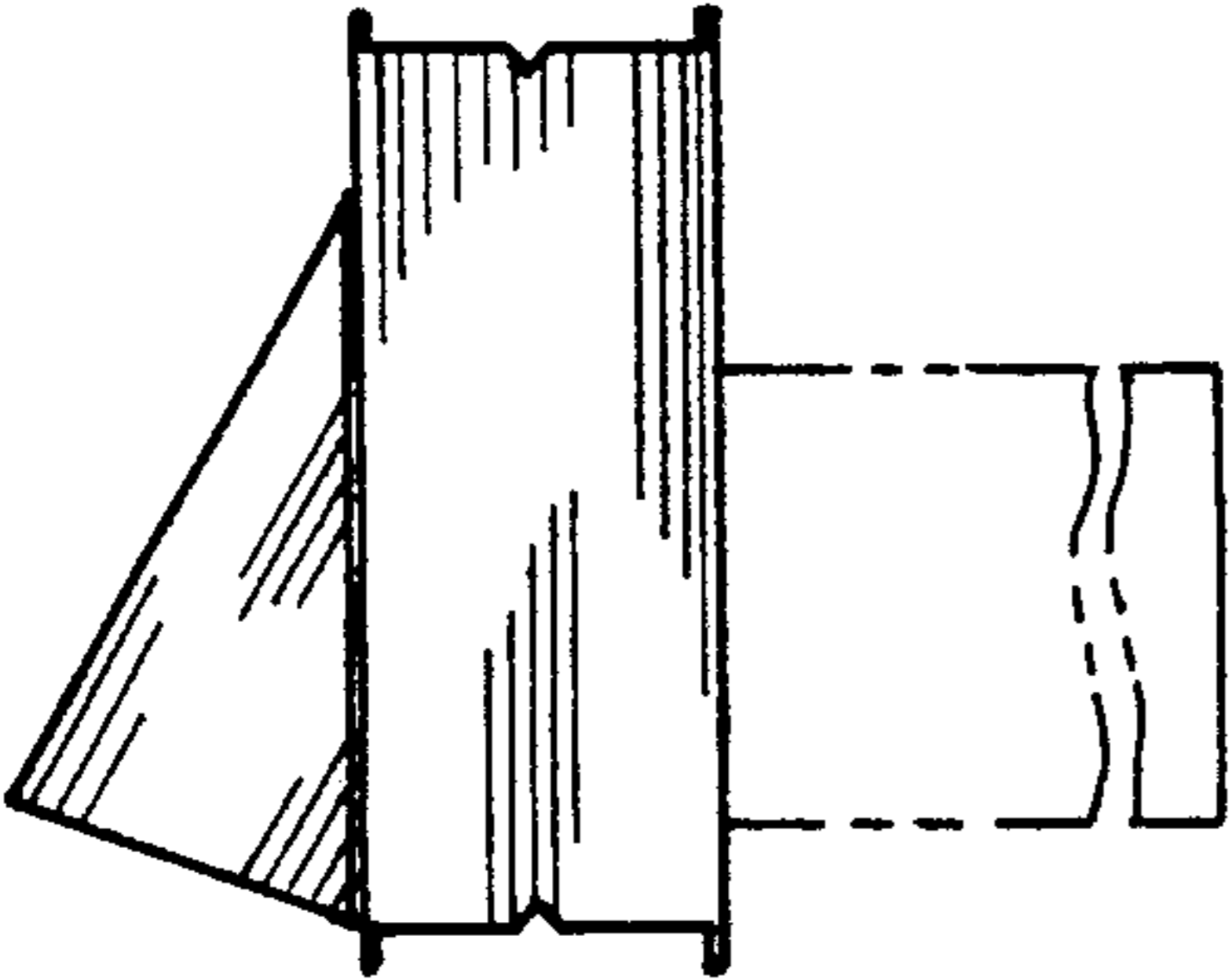
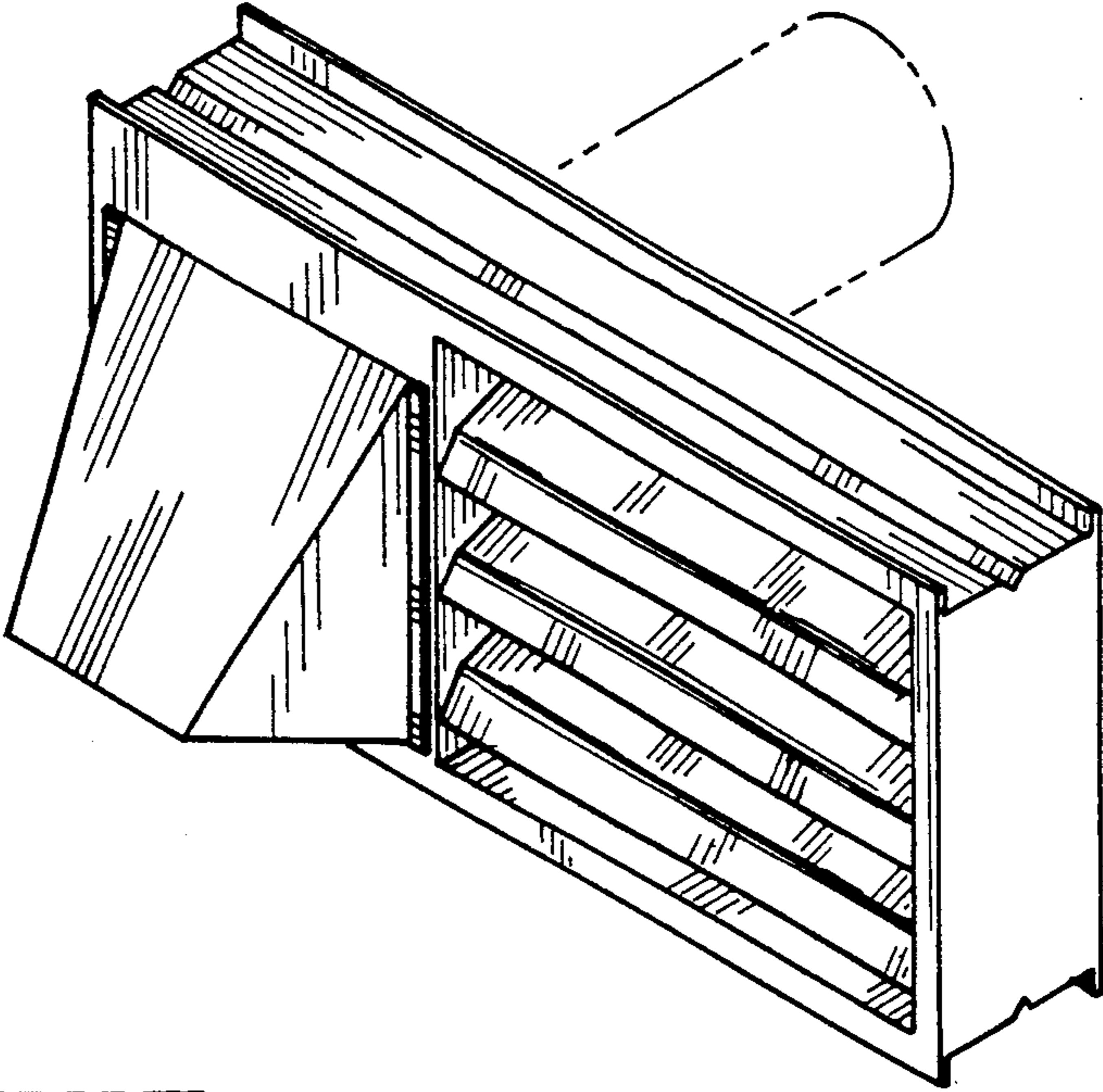


Fig 2

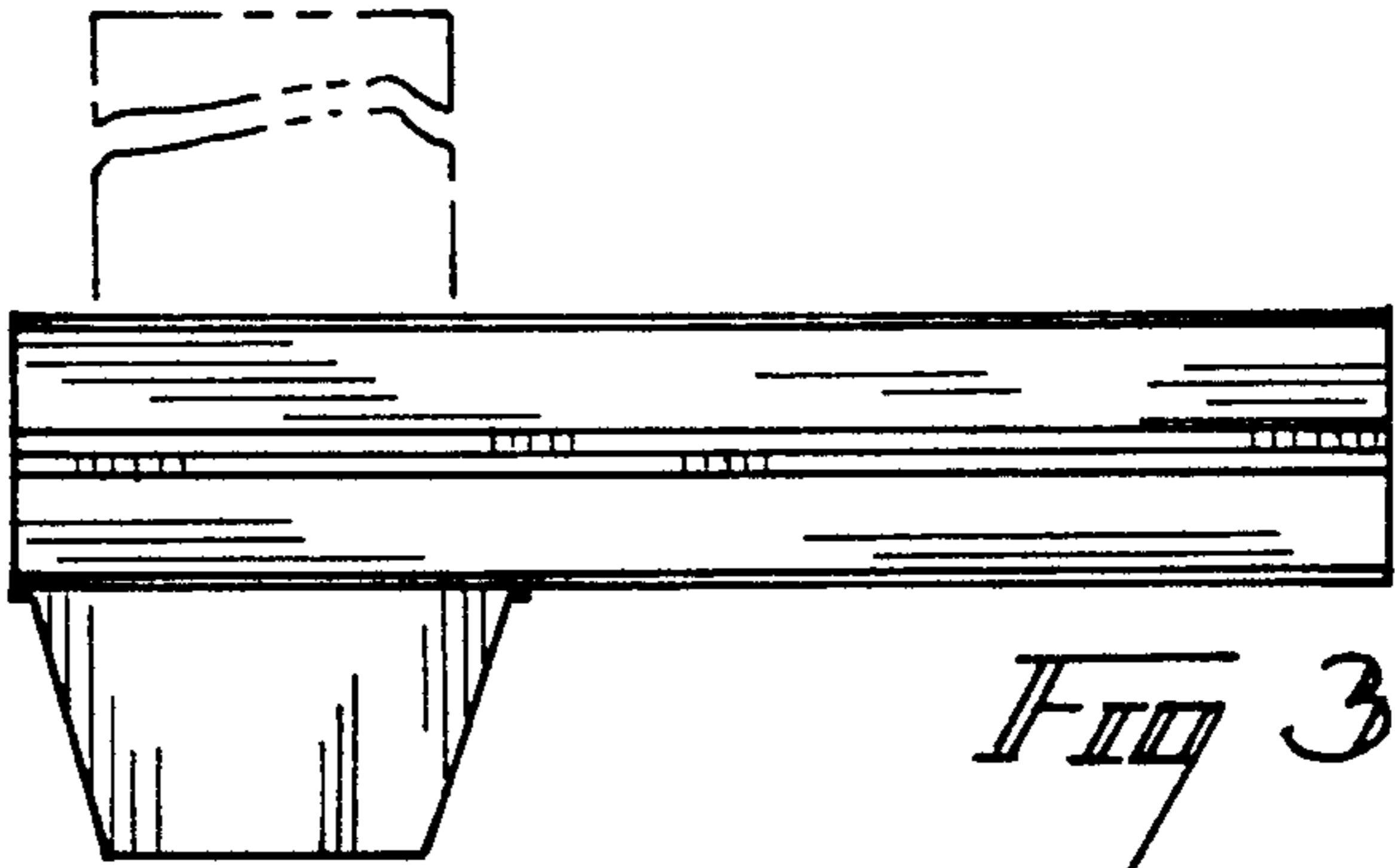


Fig 3

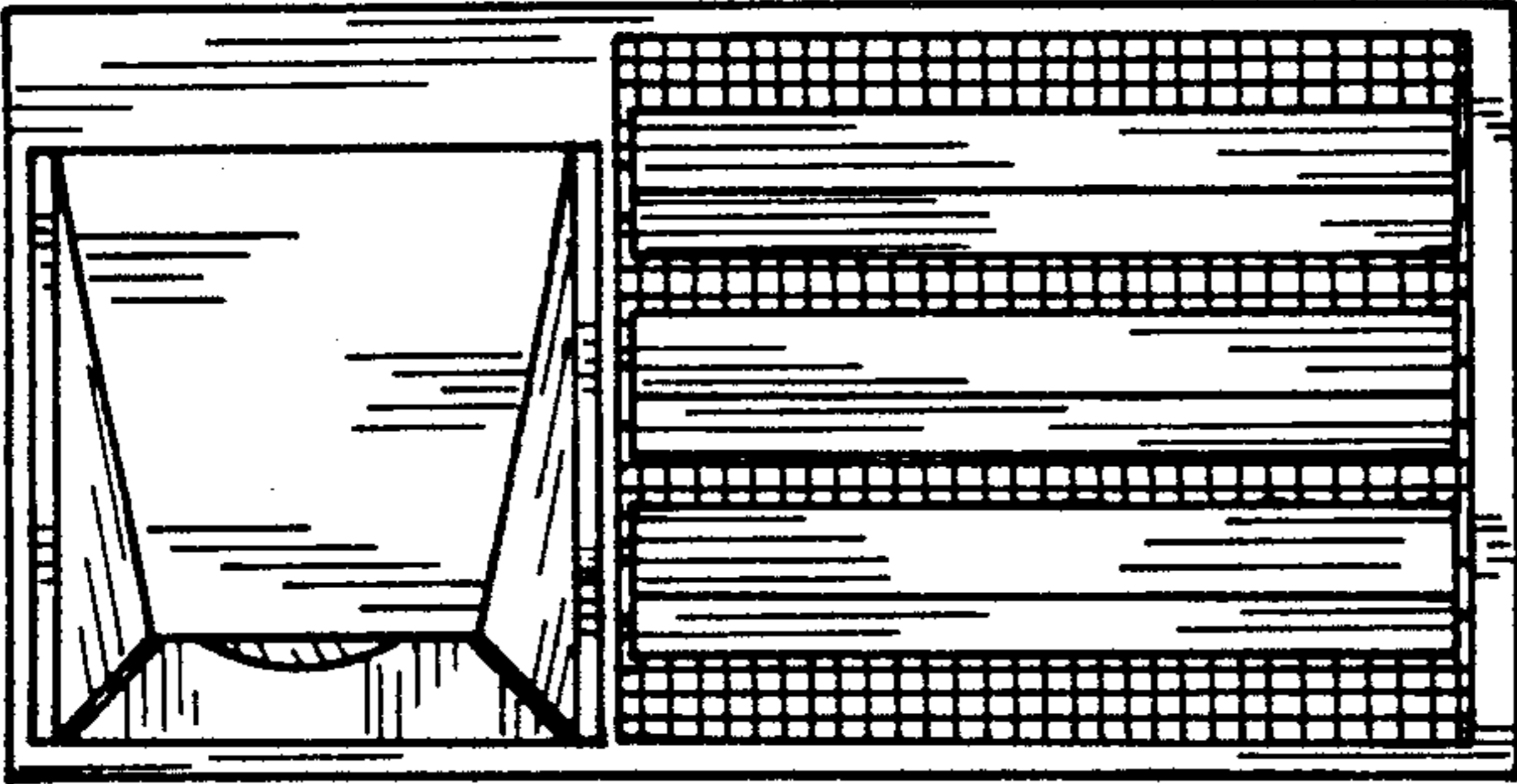


Fig 4

Fig 5

