

[54] **FAUCET**

[76] **Inventor: Jean-Claude Delephine, 23 rue Clapeyron, 75008 Paris, France**

[\*\*] **Term: 14 Years**

[21] **Appl. No.: 414,441**

[22] **Filed: Sep. 29, 1989**

[30] **Foreign Application Priority Data**

Apr. 10, 1989 [IB] Int'l Pat. Institute ..... **DM/013310**

[52] **U.S. Cl. .... 23/241**

[58] **Field of Search ..... D23/238-243; 4/191-192; 137/801**

[56] **References Cited**

**U.S. PATENT DOCUMENTS**

D. 80,830	10/1936	Dobrick .....	D23/32
D. 101,443	5/1936	Dreyfuss .	
D. 141,716	6/1945	Trombley .....	D23/241
D. 149,206	4/1948	Otto .....	D23/243
D. 159,051	6/1950	Darr .....	D23/241
D. 217,966	7/1970	Korol .....	D23/32
D. 224,402	7/1972	Jenner .....	D23/25
D. 233,235	10/1974	Arbon .....	D23/23
D. 268,949	5/1983	Delepine .....	D23/32
D. 289,916	5/1987	Delepine .....	D23/32
D. 291,115	7/1987	Delepine .....	D23/32
D. 294,631	3/1988	Bourbon .....	D23/241
1,383,886	7/1921	Webb .....	4/192
1,406,030	2/1922	Kelly .	

1,408,375	2/1922	Manelis .	
1,417,583	5/1922	Stratton .....	4/192
1,512,193	7/1922	Berven .....	4/591
2,679,652	6/1954	Eyring .....	4/181
2,993,213	2/1959	Carroll .....	4/591
4,231,123	11/1980	Cheng .....	4/651
4,334,328	6/1982	Delepine .....	4/191
4,513,458	4/1985	Delepine .....	4/192

**FOREIGN PATENT DOCUMENTS**

2219893	12/1972	Fed. Rep. of Germany .....	4/192
740490	1/1933	France .....	4/192
161778	5/1933	Switzerland .....	4/192
201451	8/1923	United Kingdom .....	4/591
576928	4/1946	United Kingdom .....	4/192

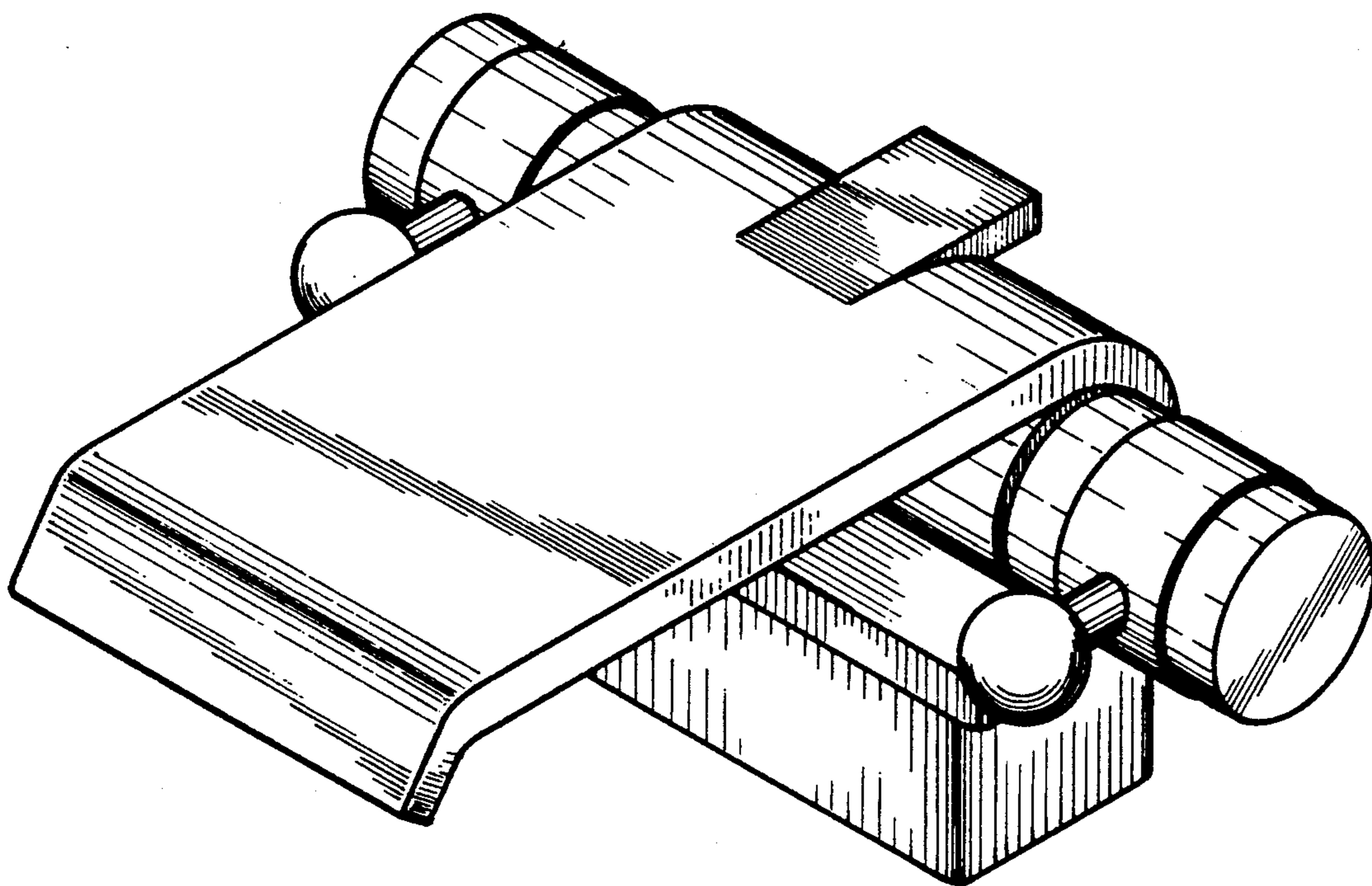
*Primary Examiner*—James R. Largen  
*Attorney, Agent, or Firm*—Fisher, Christen & Sabol

[57] **CLAIM**

The ornamental design for the faucet, as shown and described.

**DESCRIPTION**

FIG. 1 is a perspective view taken from the top, front and right side of a faucet shown my new design;  
FIG. 2 is a top plan view thereof;  
FIG. 3 is a bottom plan view thereof;  
FIG. 4 is a right side elevational view thereof, the left side being a mirror image of the right side;  
FIG. 5 is a front elevational view thereof; and  
FIG. 6 is a rear elevational view thereof.



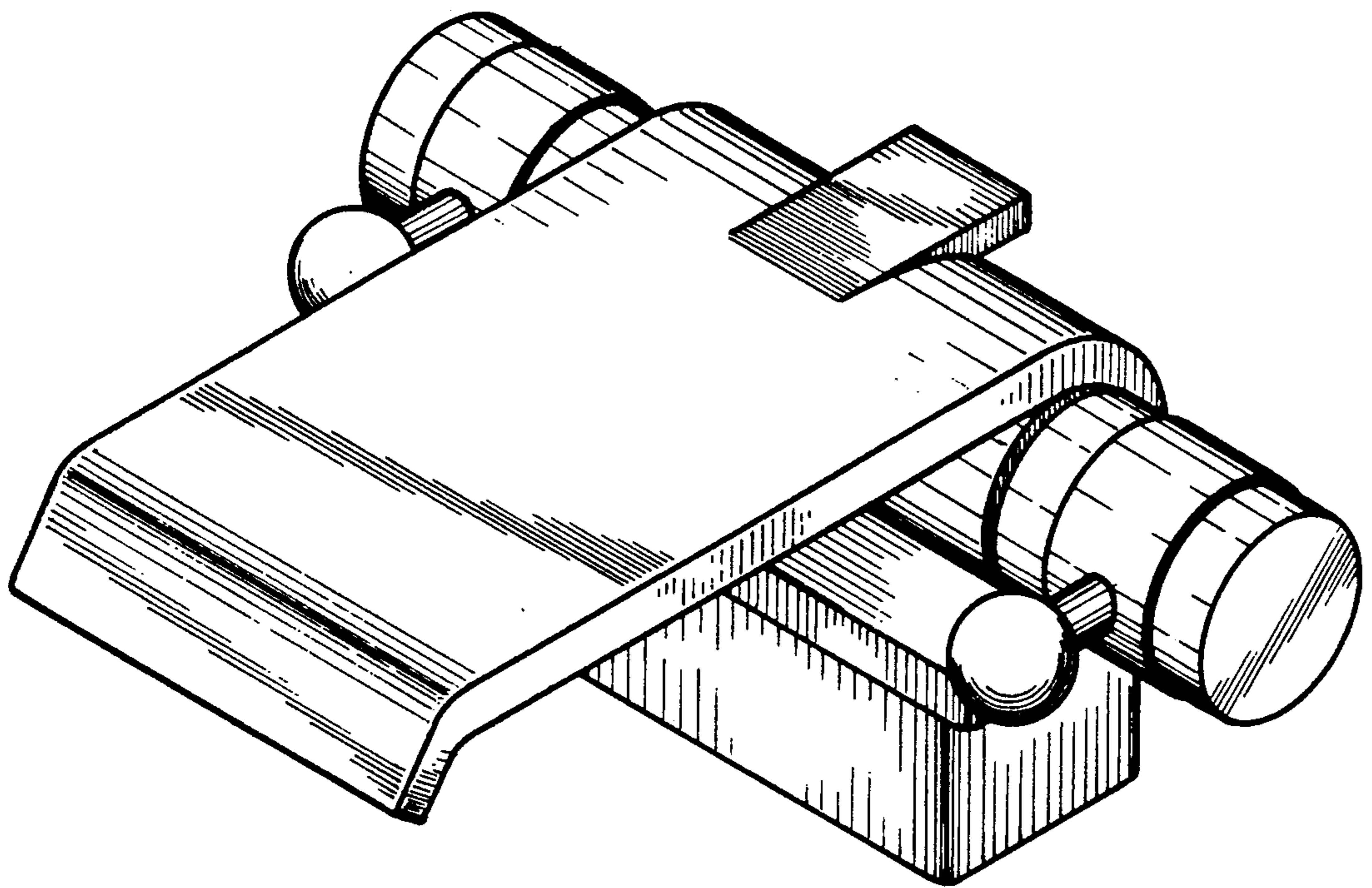


FIG. 1

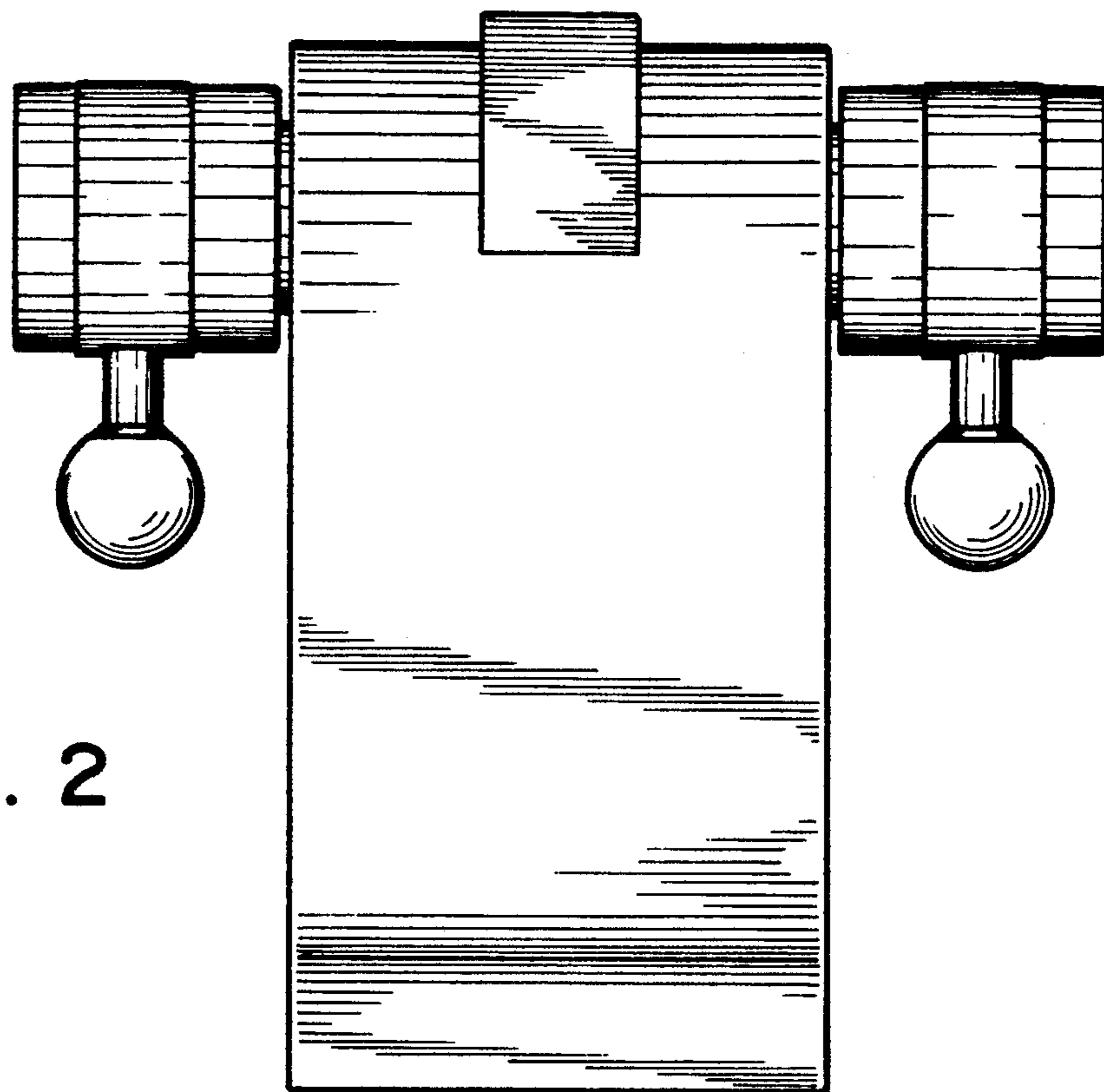


FIG. 2

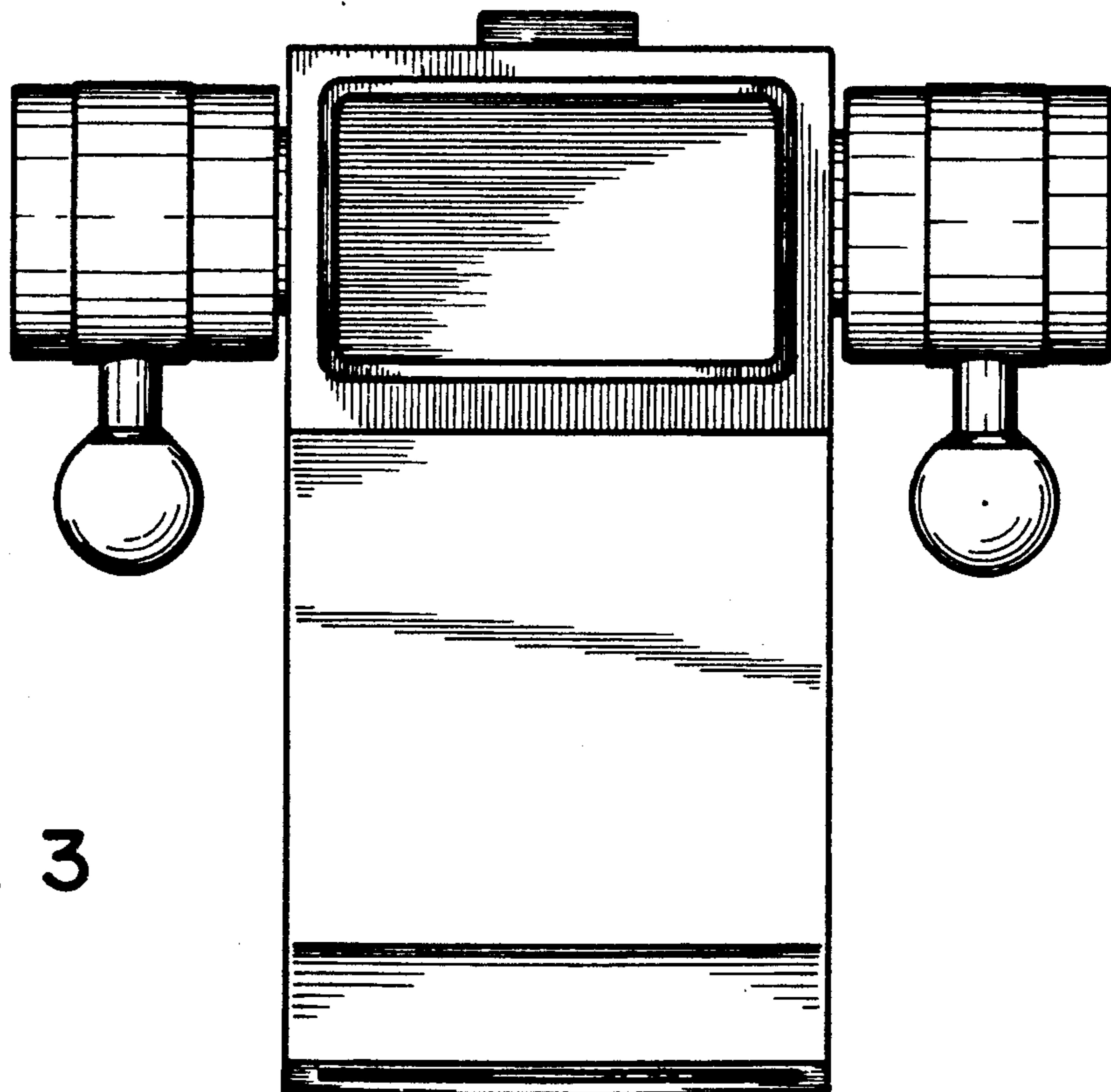


FIG. 3

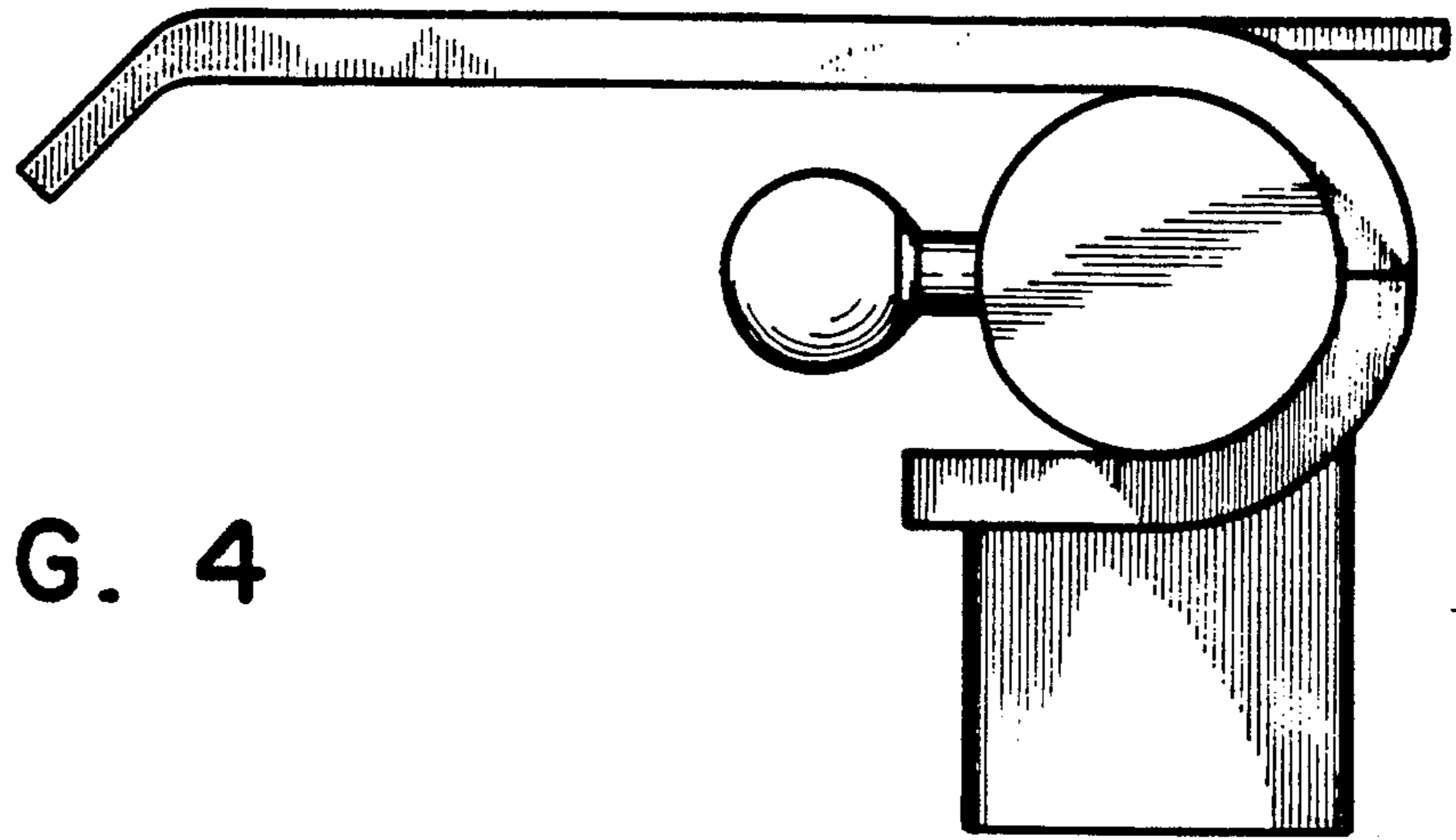


FIG. 4

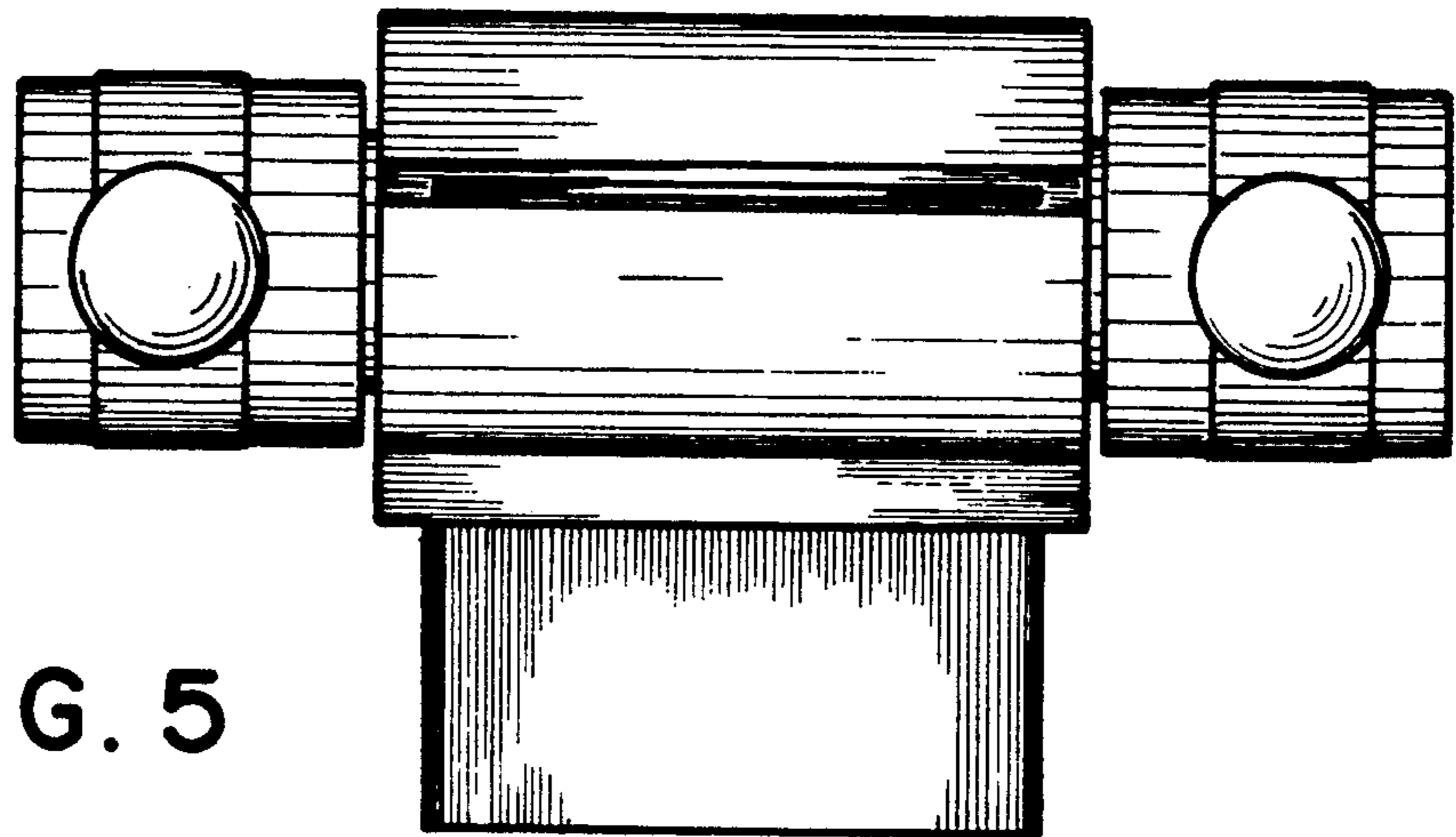


FIG. 5

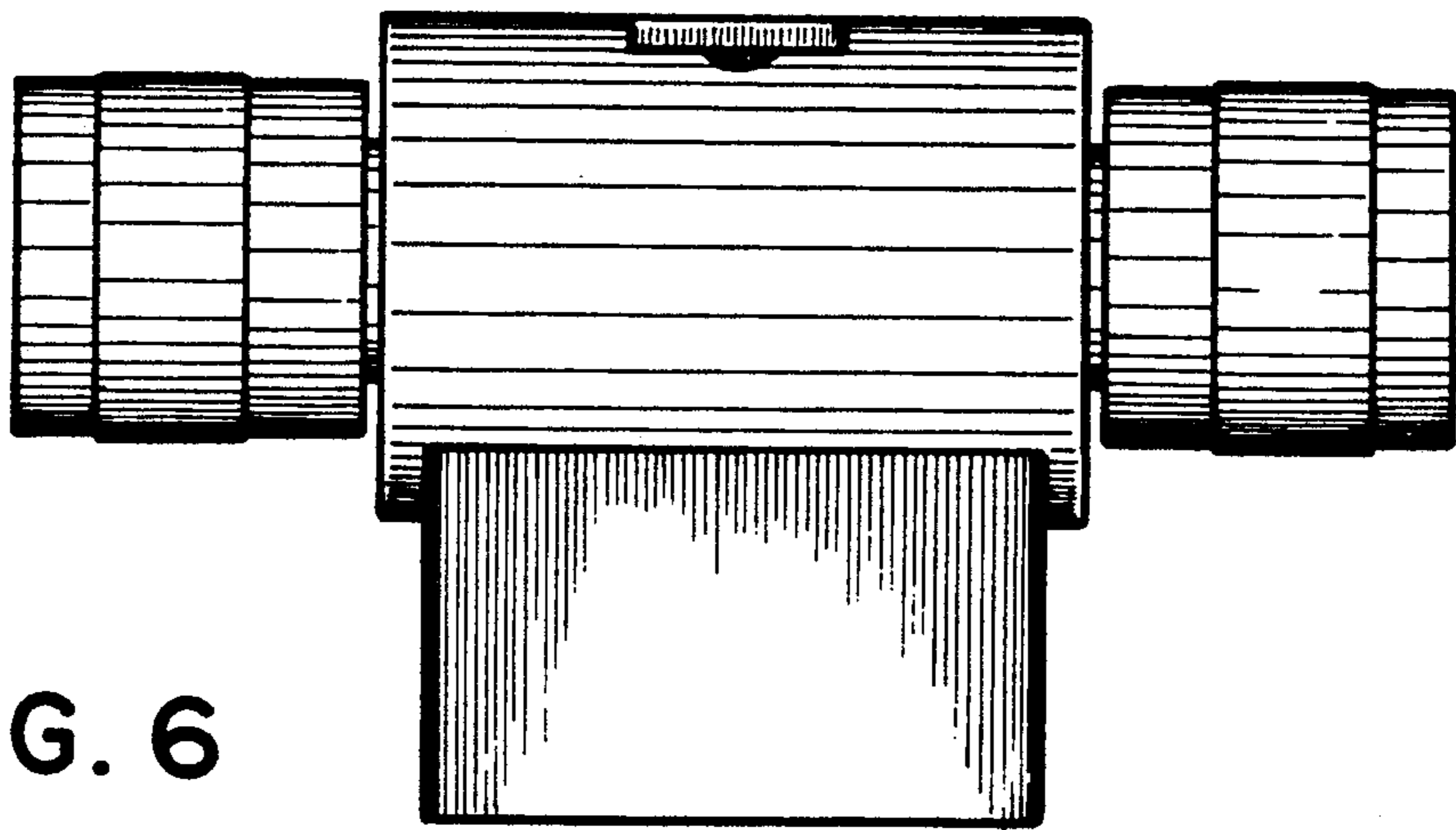


FIG. 6