

[54] OUTDOOR AIR INTAKE VALVE

[75] Inventor: Hans Lundin, Halmstad, Sweden

[73] Assignee: Fresh Sweden AB, Halmstad, Sweden

[\*\*] Term: 14 Years

[21] Appl. No.: 219,465

[22] Filed: Jul. 15, 1988

[30] Foreign Application Priority Data

Jan. 15, 1988 [SE] Sweden ..... 88-0064

[52] U.S. Cl. .... D23/393

[58] Field of Search ..... D23/370, 354, 386-394; 98/41.2, 98, 99.01, 99.6, 99.8

[56] References Cited

U.S. PATENT DOCUMENTS

- 125,755 4/1872 Pell ..... 98/99.6
- 128,301 6/1872 Greenway ..... 98/99.6
- 150,463 5/1874 Browne ..... 98/99.6
- D. 245,099 7/1977 Wilson ..... D23/393
- D. 271,900 12/1983 Efstratis ..... D23/387
- D. 273,891 5/1984 Hiselius ..... D23/389
- D. 276,262 11/1984 Nilsson et al. .... D23/370
- D. 283,839 5/1986 Kutsch et al. .... D23/393
- D. 284,213 6/1986 Morgan ..... D23/393
- D. 287,048 12/1986 Bratton ..... D23/387 X
- D. 290,744 7/1987 Whitley, II ..... D23/388

- 462,652 11/1891 Bury ..... 98/99.01
- 647,572 4/1900 Miller ..... 98/98
- 905,241 12/1908 Shea ..... 98/98
- 973,309 10/1910 Schwannecke ..... 98/98
- 1,470,392 10/1923 Schreier ..... 98/98
- 1,728,777 9/1929 Trier ..... 98/98
- 2,834,281 5/1958 Griner ..... D23/389 X
- 4,383,477 5/1983 Nilsson et al. .... 98/41.2
- 4,560,320 12/1985 Baus ..... 98/99.6

FOREIGN PATENT DOCUMENTS

- 47908 8/1979 Netherlands ..... 98/99.6

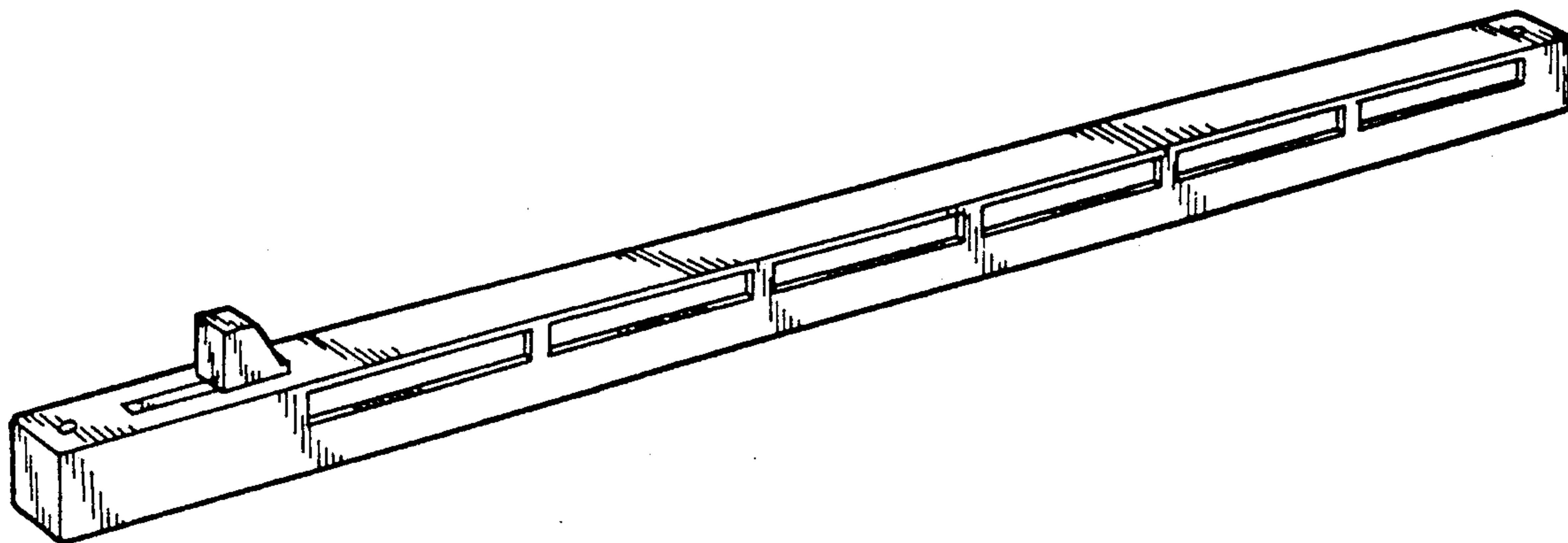
Primary Examiner—James R. Largen  
Attorney, Agent, or Firm—Oblon, Spivak, McClelland, Maier & Neustadt

[57] CLAIM

The ornamental design for an outdoor air intake valve, as shown.

DESCRIPTION

FIG. 1 is a top, front and left side perspective view of an outdoor air intake valve showing my design;  
FIG. 2 is a rear, bottom and left side perspective view thereof;  
FIG. 3 is a bottom, front and left side perspective view thereof;  
FIG. 4 is a top, rear and left side perspective view thereof; and  
FIG. 5 is a bottom plan view thereof.



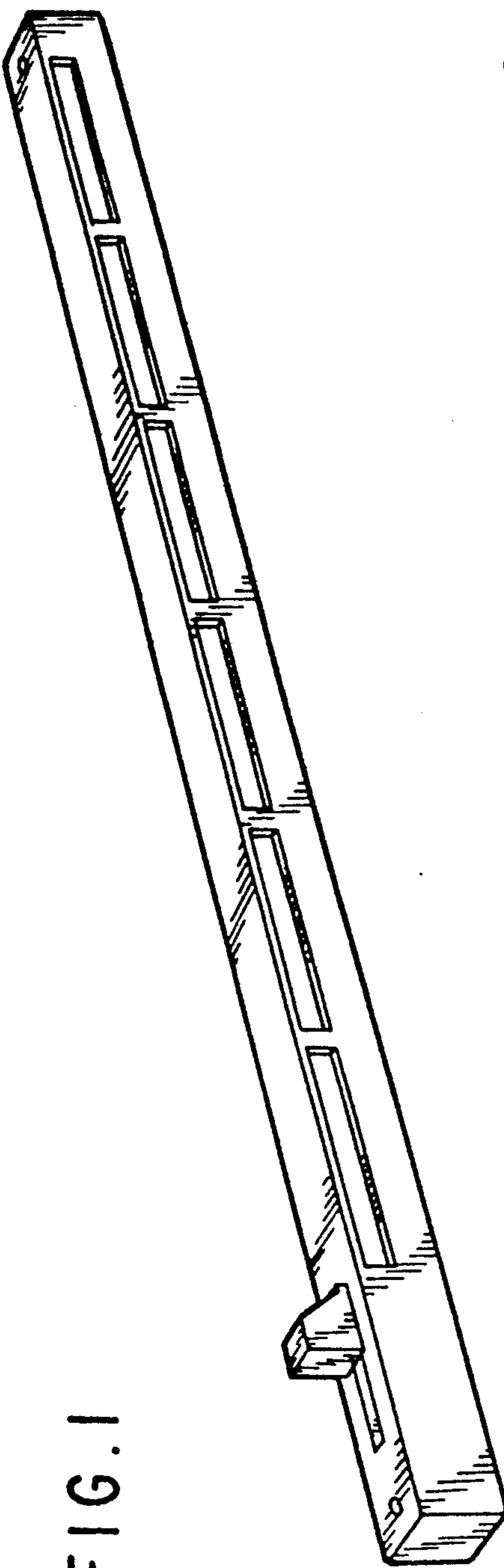


FIG. 1

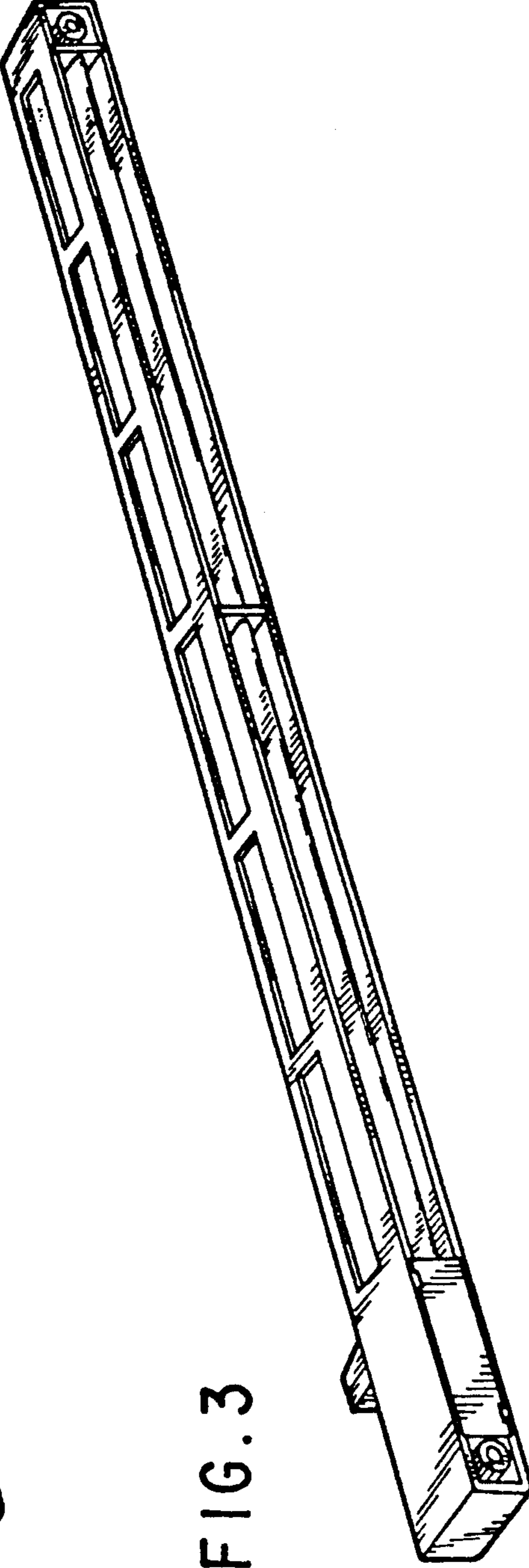


FIG. 3

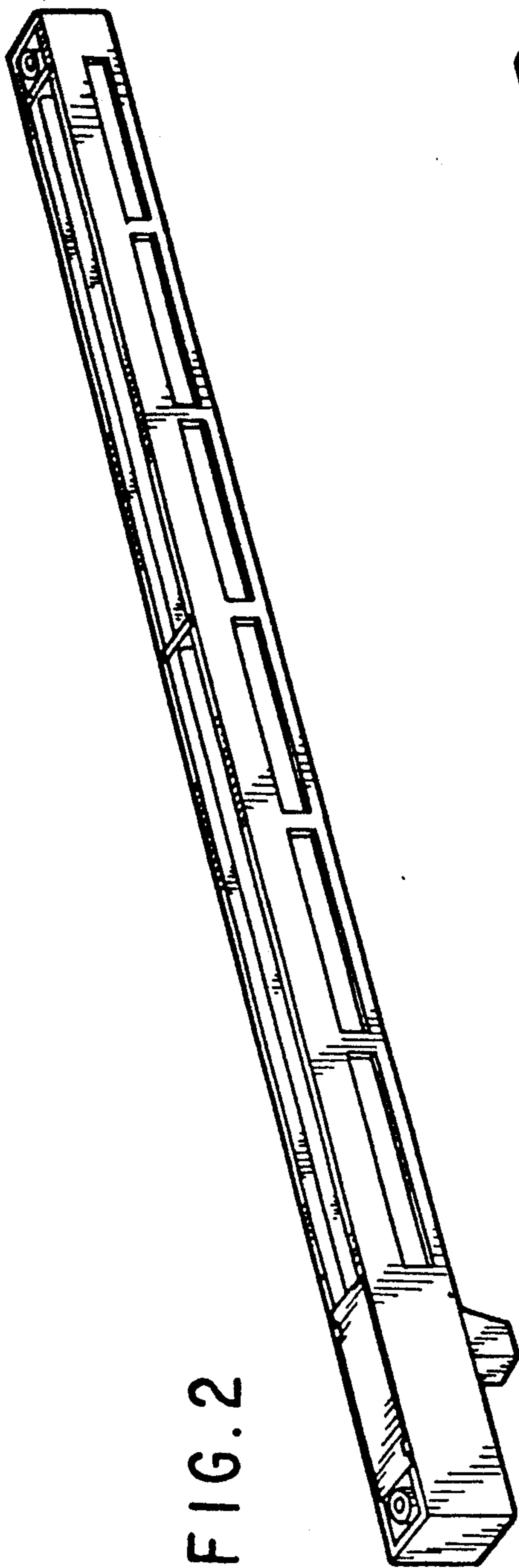


FIG. 2

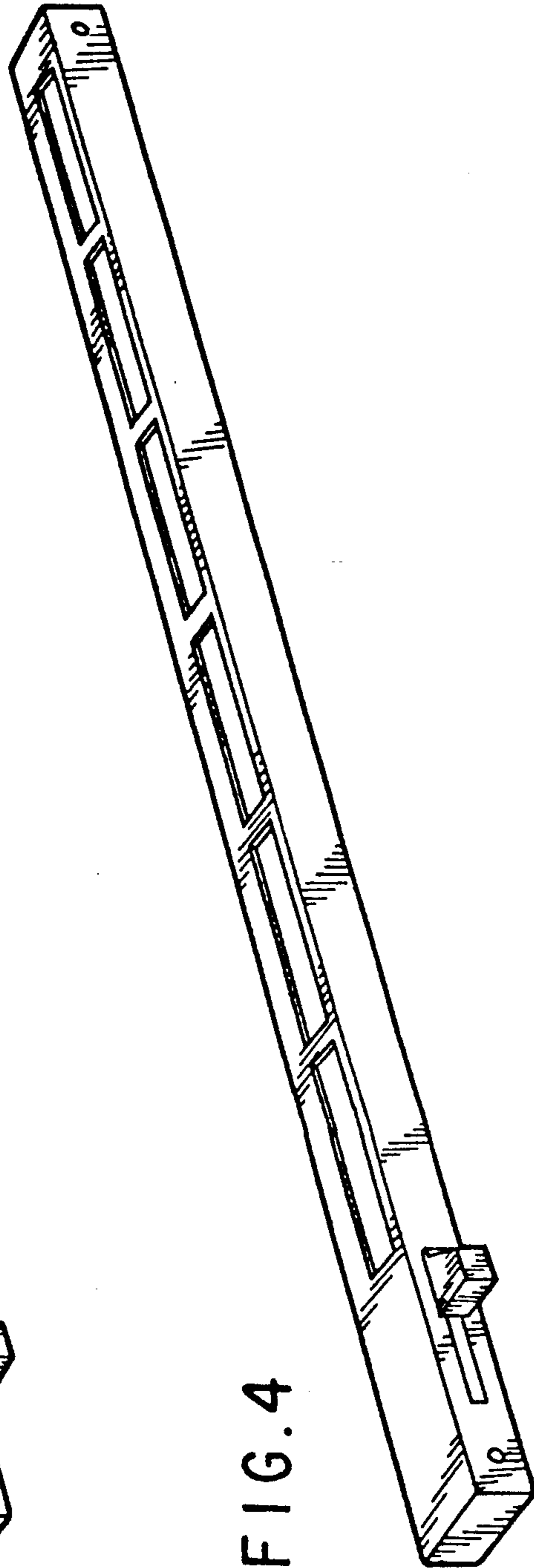


FIG. 4

FIG. 5

