

[54] SPINNING FISHING REEL

[75] Inventors: Richard J. Robbins, Derby, Kans.;
Richard J. Feehan, Pawnee, Okla.

[73] Assignee: Zebco Corporation, Tulsa, Okla.

[**] Term: 14 Years

[21] Appl. No.: 302,728

[22] Filed: Jan. 27, 1989

[52] U.S. Cl. D22/141

[58] Field of Search D22/140, 141;
242/230-233, 245-246, 247, 248, 282

[56] References Cited

U.S. PATENT DOCUMENTS

- D. 254,091 1/1980 Jansson et al. D22/141
- D. 255,042 5/1980 Inuma D22/141
- D. 281,346 11/1985 Inuma et al. D22/141
- D. 291,110 7/1987 Shohoji et al. D22/141

- D. 307,458 4/1990 Inuma et al. D22/141
- 4,676,450 6/1987 Carpenter 242/233

Primary Examiner—A. Hugo Word
Assistant Examiner—Doris V. Coles
Attorney, Agent, or Firm—Wood, Phillips, Mason,
Recktenwald & VanSanten

[57] CLAIM

The ornamental design of a spinning fishing reel, as shown and described.

DESCRIPTION

FIG. 1 is a bottom and side perspective view of a spinning fishing reel, showing our new design;
FIG. 2 is a right side elevational view thereof;
FIG. 3 is a left side elevational view thereof;
FIG. 4 is a top plan view thereof;
FIG. 5 is a bottom plan view thereof;
FIG. 6 is a rear elevational view; and
FIG. 7 is an front elevational view.

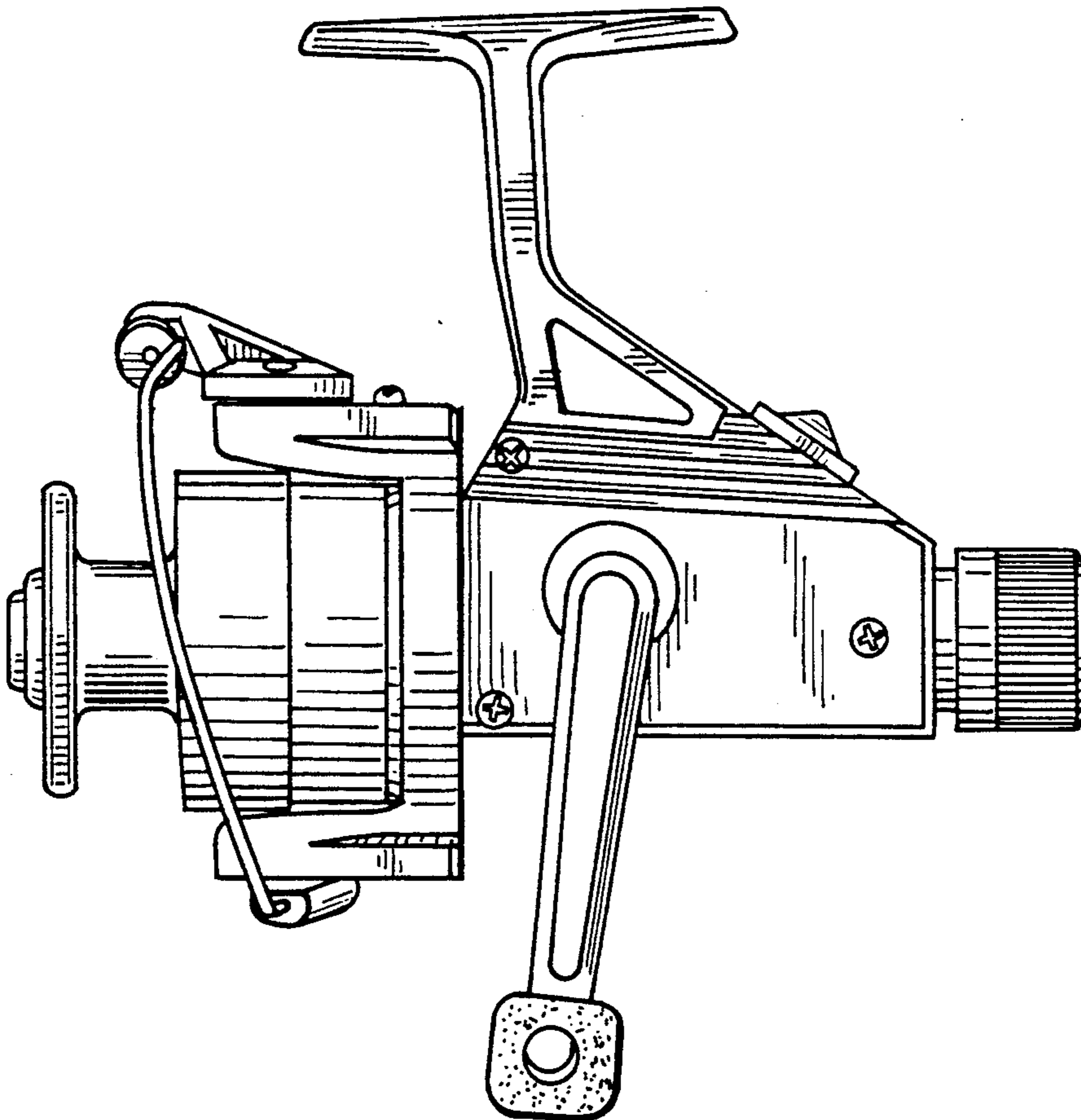


Fig. 1

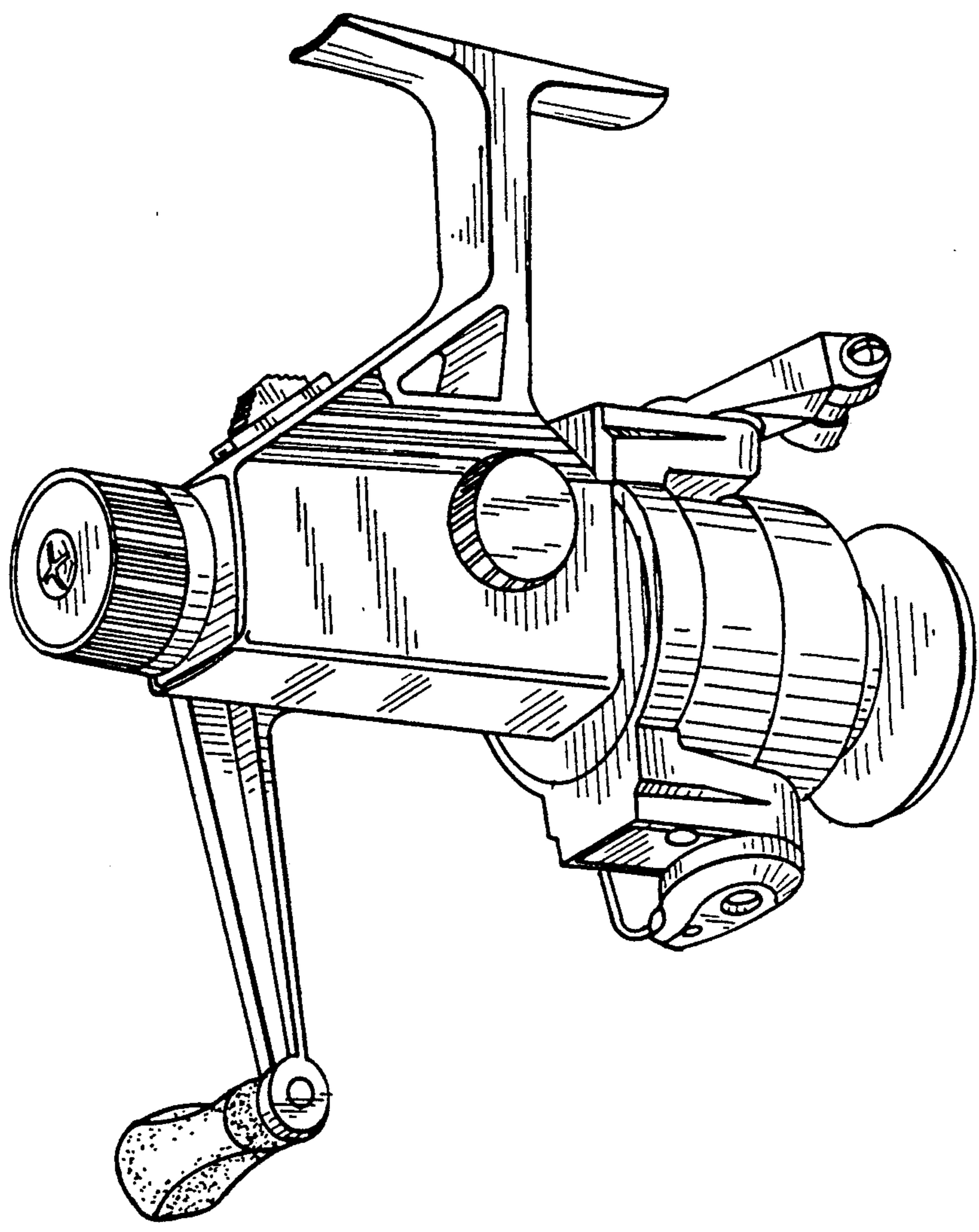


Fig. 2

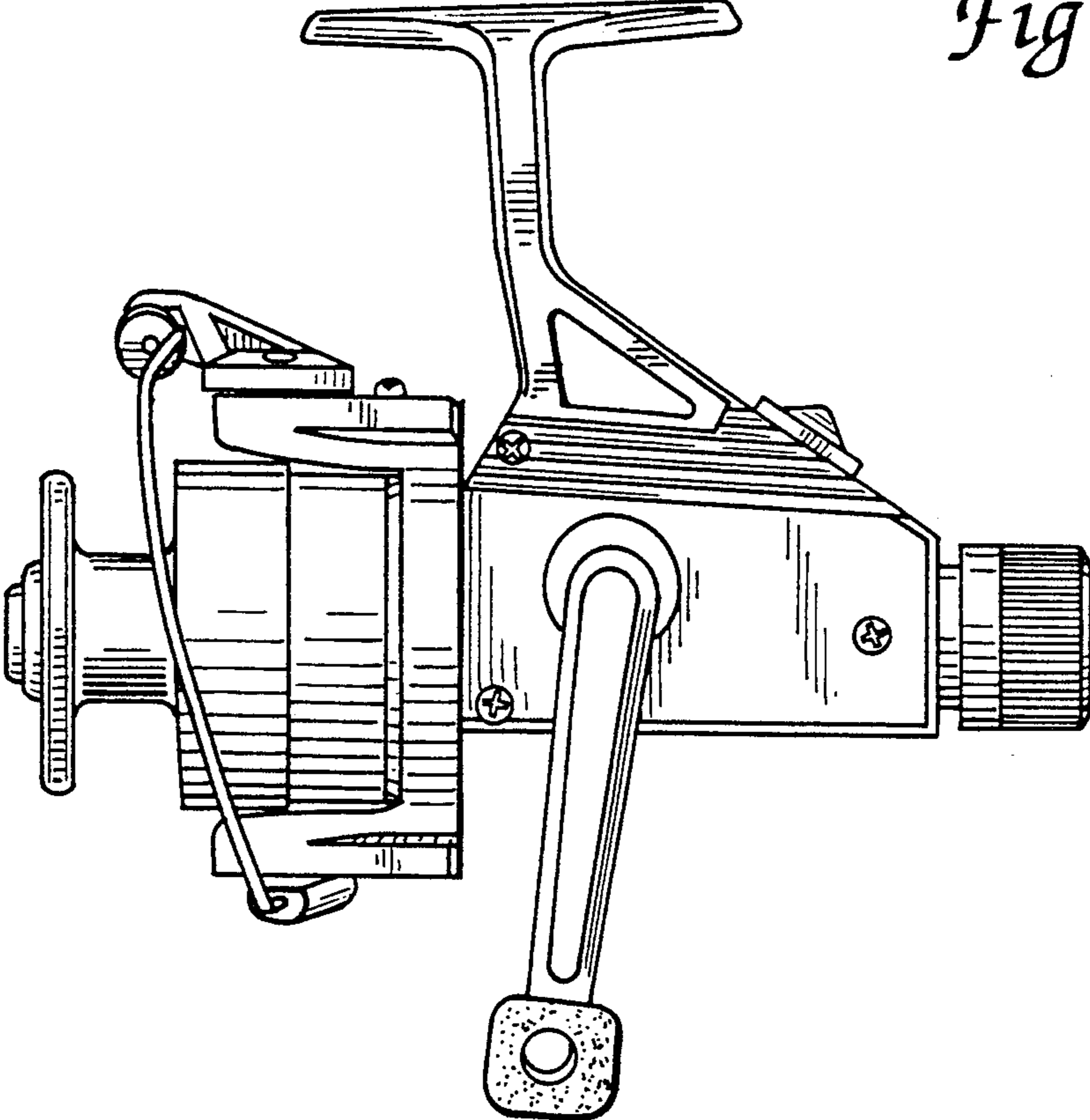


Fig. 3

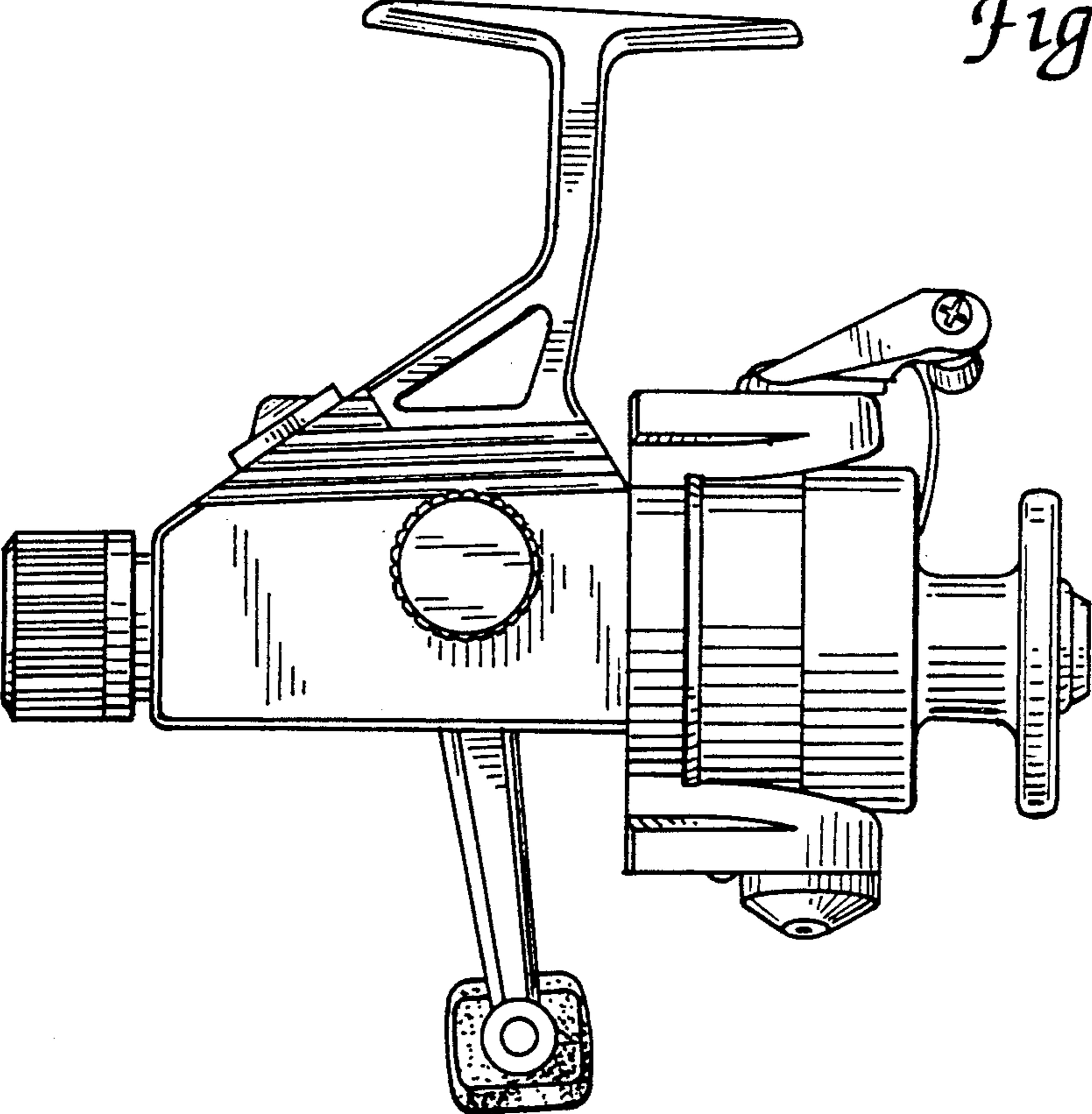


Fig. 4

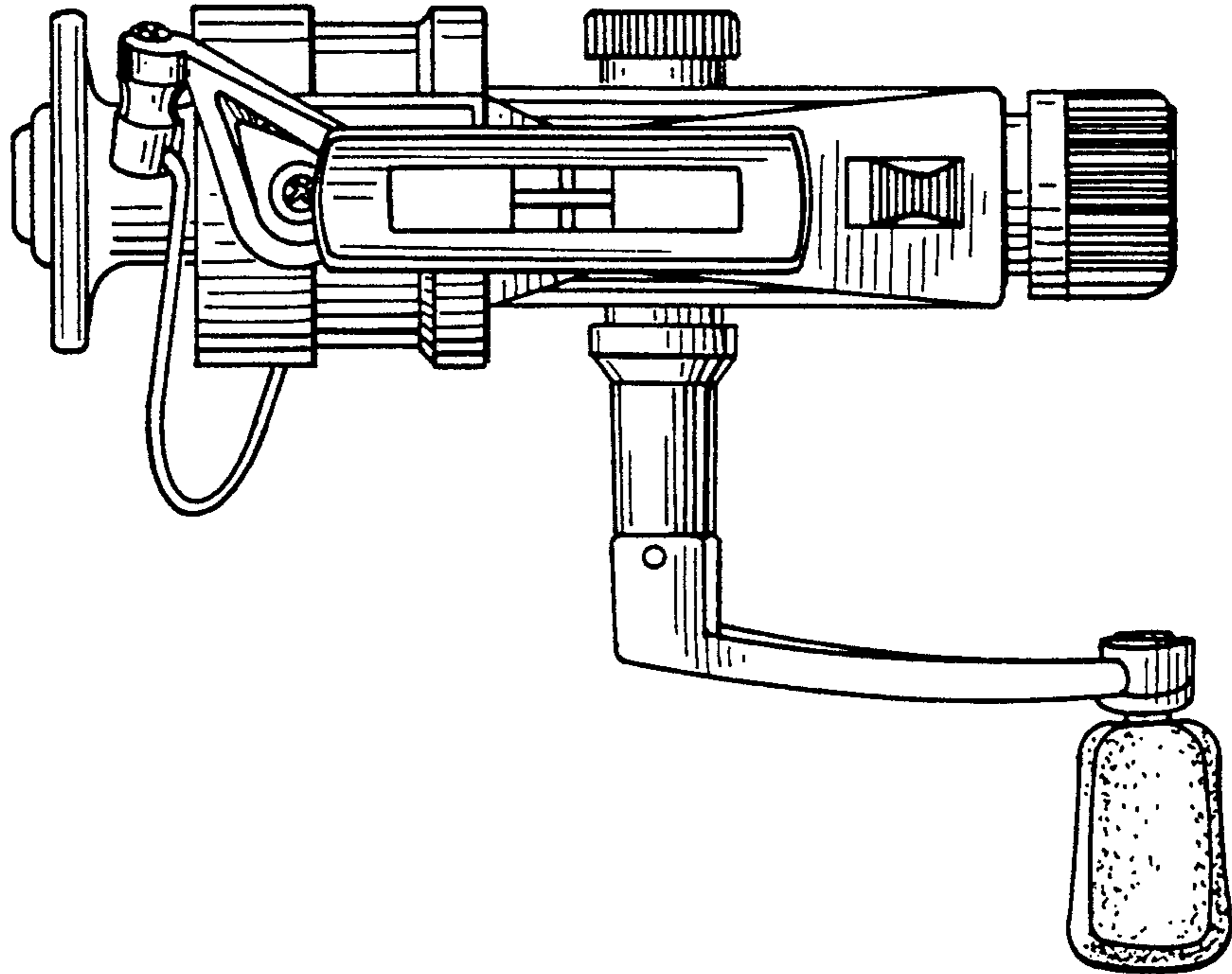
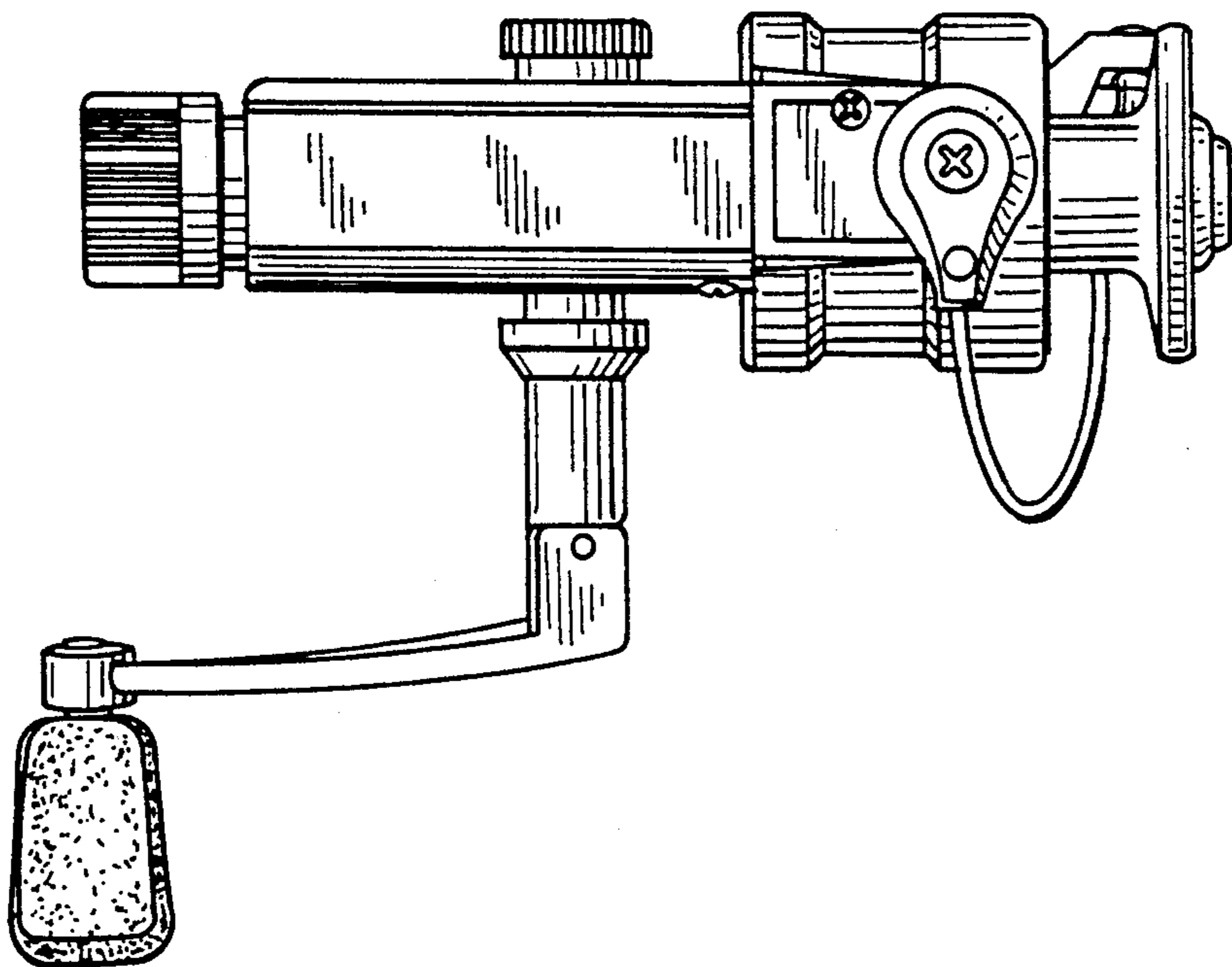


Fig. 5



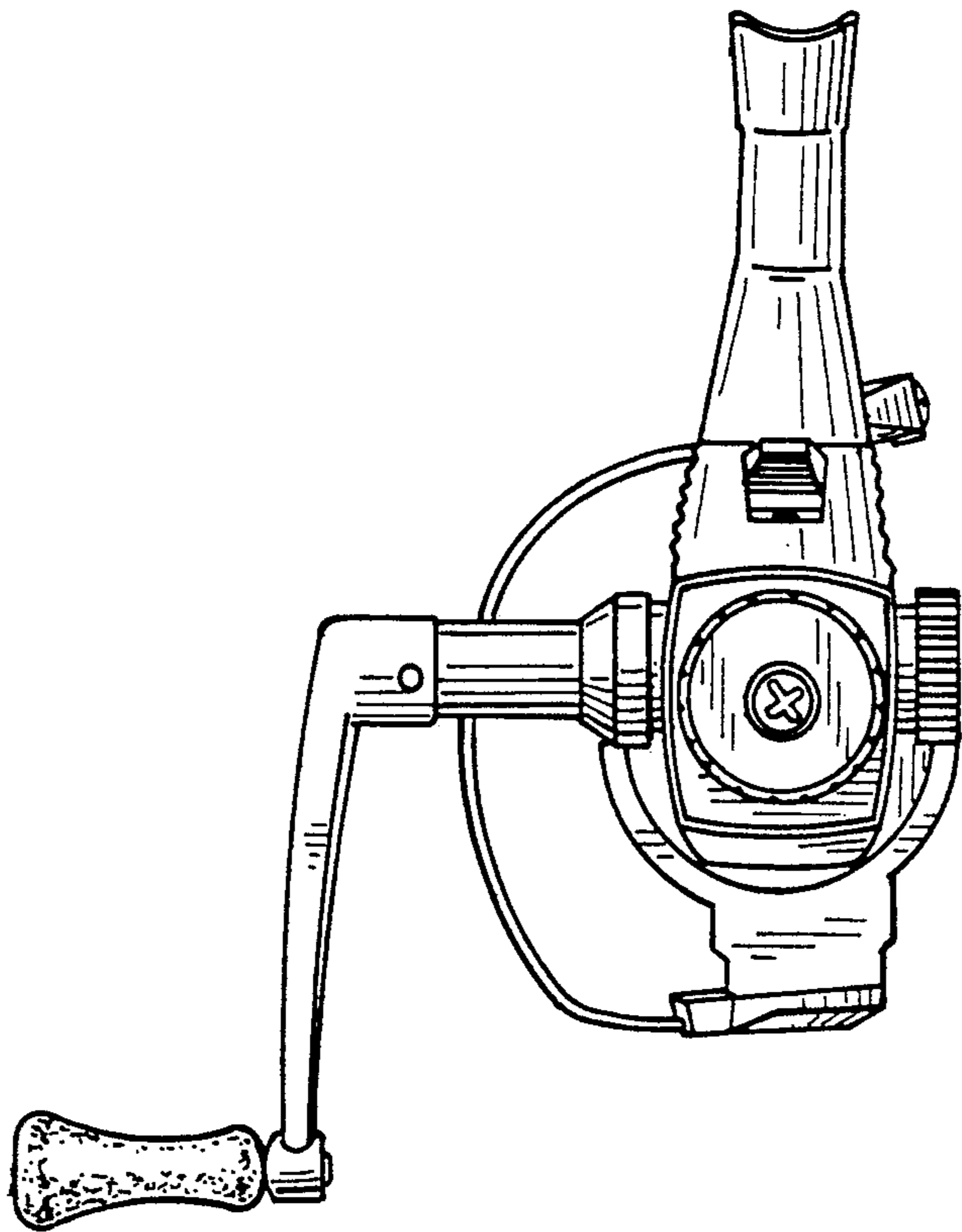


Fig. 6

Fig. 7

