

[54] ADJUSTABLE BALL HOLDER

[76] Inventor: John A. Myers, 415-23rd Ave., Moline, Ill. 61265

[**] Term: 14 Years

[21] Appl. No.: 337,167

[22] Filed: Apr. 12, 1989

[52] U.S. Cl. D21/208

[58] Field of Search D21/199, 208; 273/25, 273/26 R, 202, 29 A

[56] References Cited

U.S. PATENT DOCUMENTS

- D. 199,128 9/1964 Madsen D21/199
- D. 306,194 2/1990 Sadowski D21/208
- 4,460,172 7/1984 Hogan 273/29 A

4,830,371 5/1989 Lay 273/26 R X

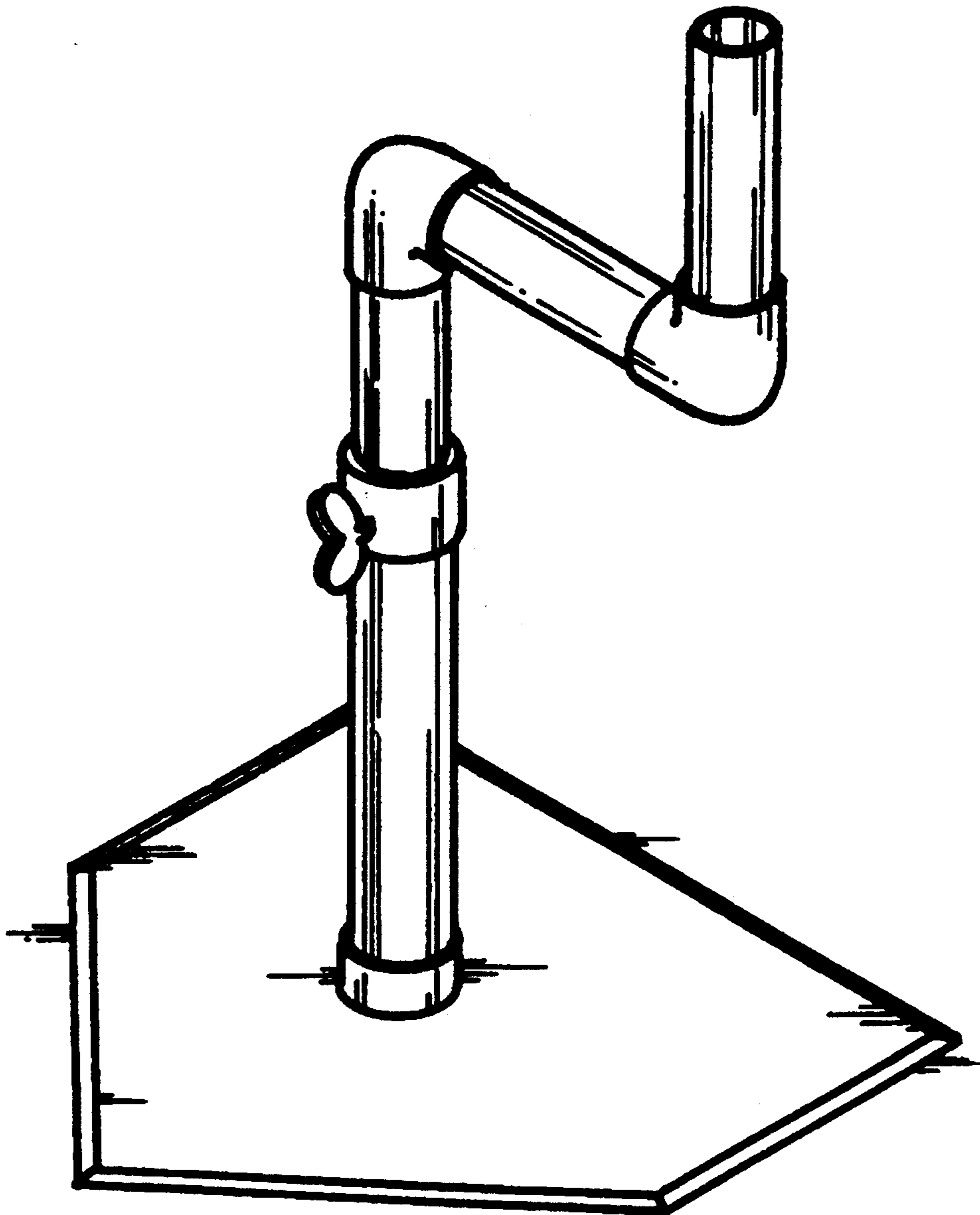
Primary Examiner—Terry A. Pfeffer
Attorney, Agent, or Firm—Robert O. Richardson

[57] CLAIM

The ornamental design for adjustable ball holder, as shown and described.

DESCRIPTION

FIG. 1 is a perspective view of an adjustable ball holder showing my new design; FIG. 2 is a top plan view thereof; FIG. 3 is a left side elevational view thereof; FIG. 4 is a front elevational view thereof; and FIG. 5 is a right side elevational view thereof. The undisclosed bottom view is planar and unornamented.



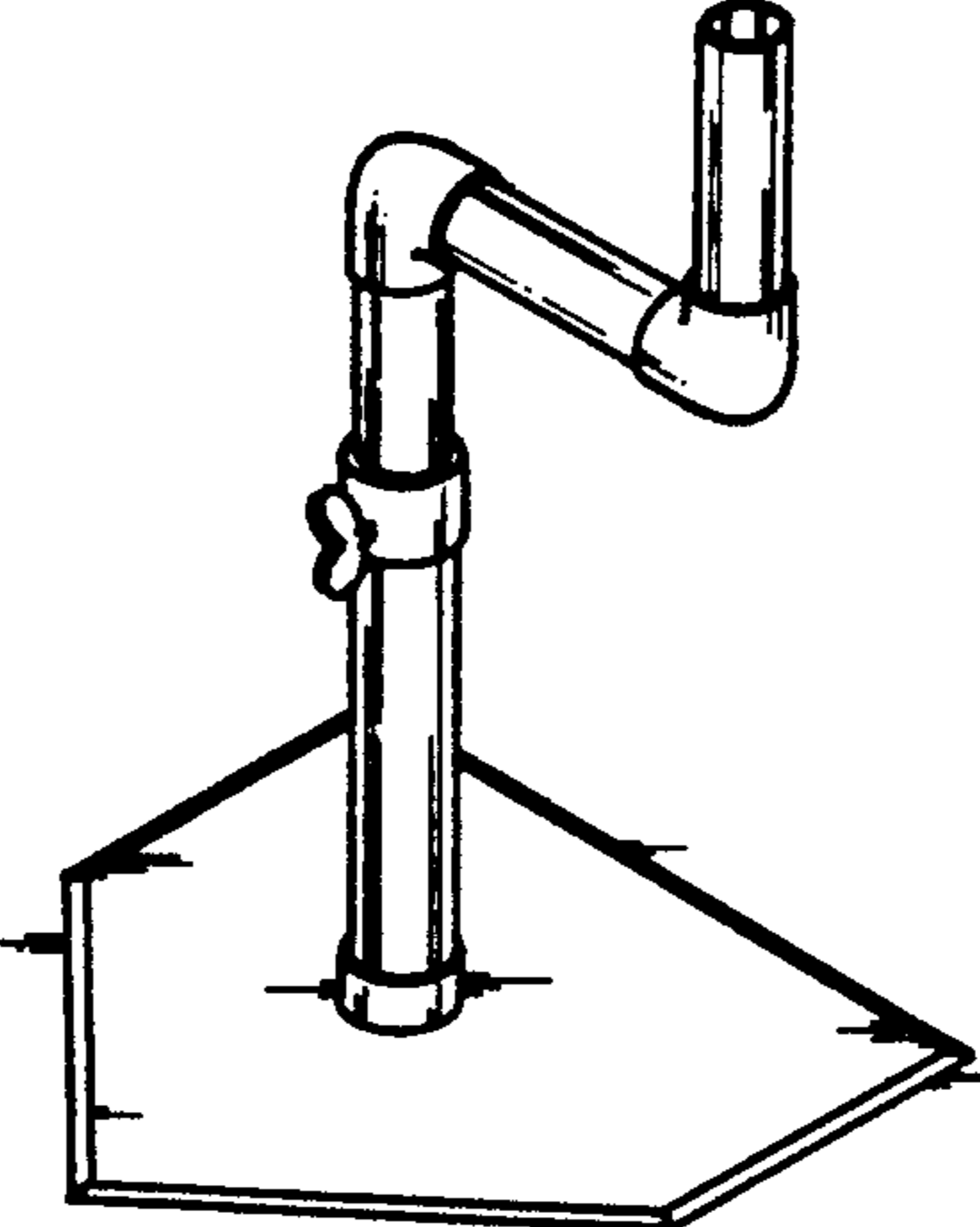


Fig. 1

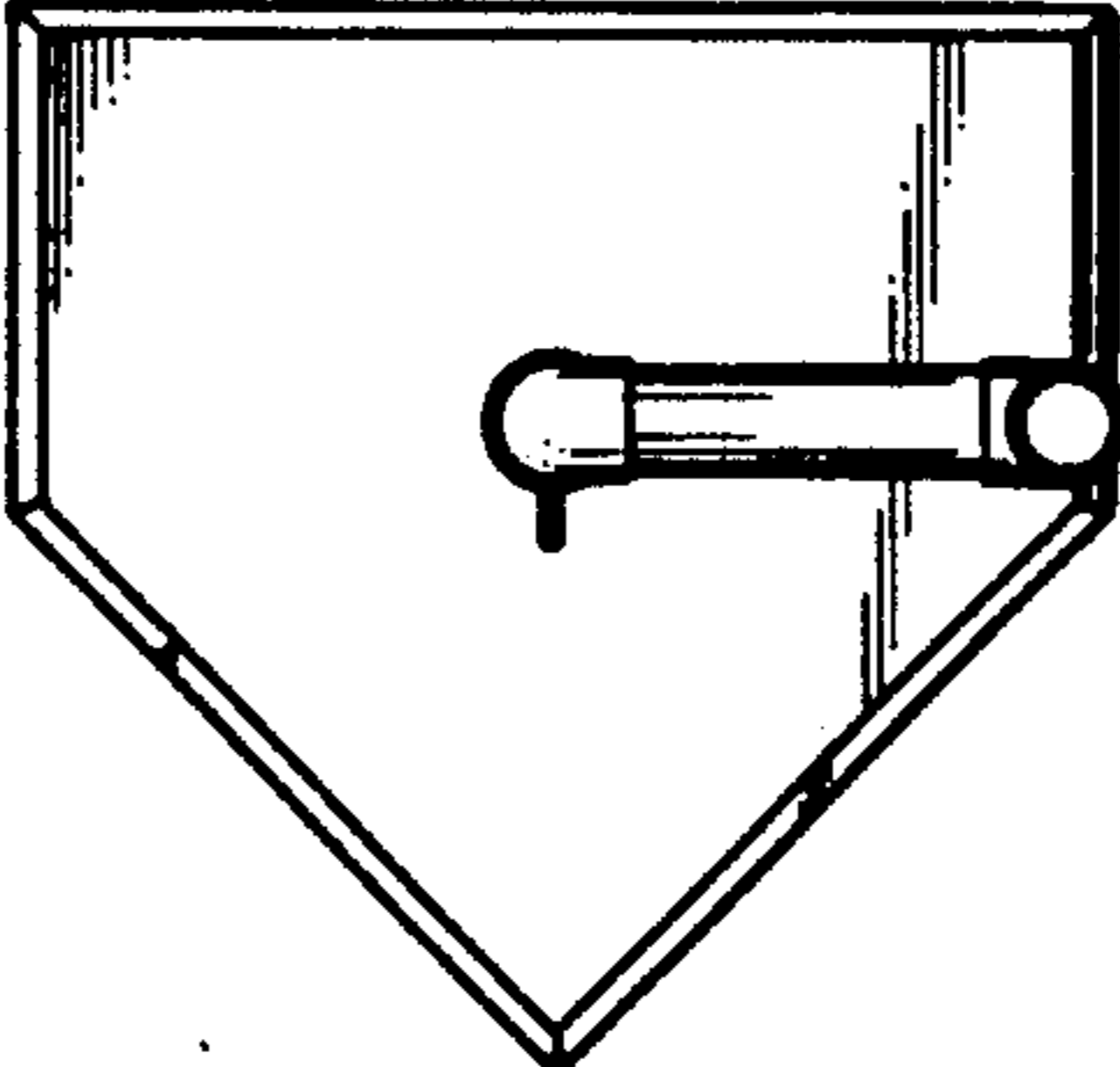


Fig. 2

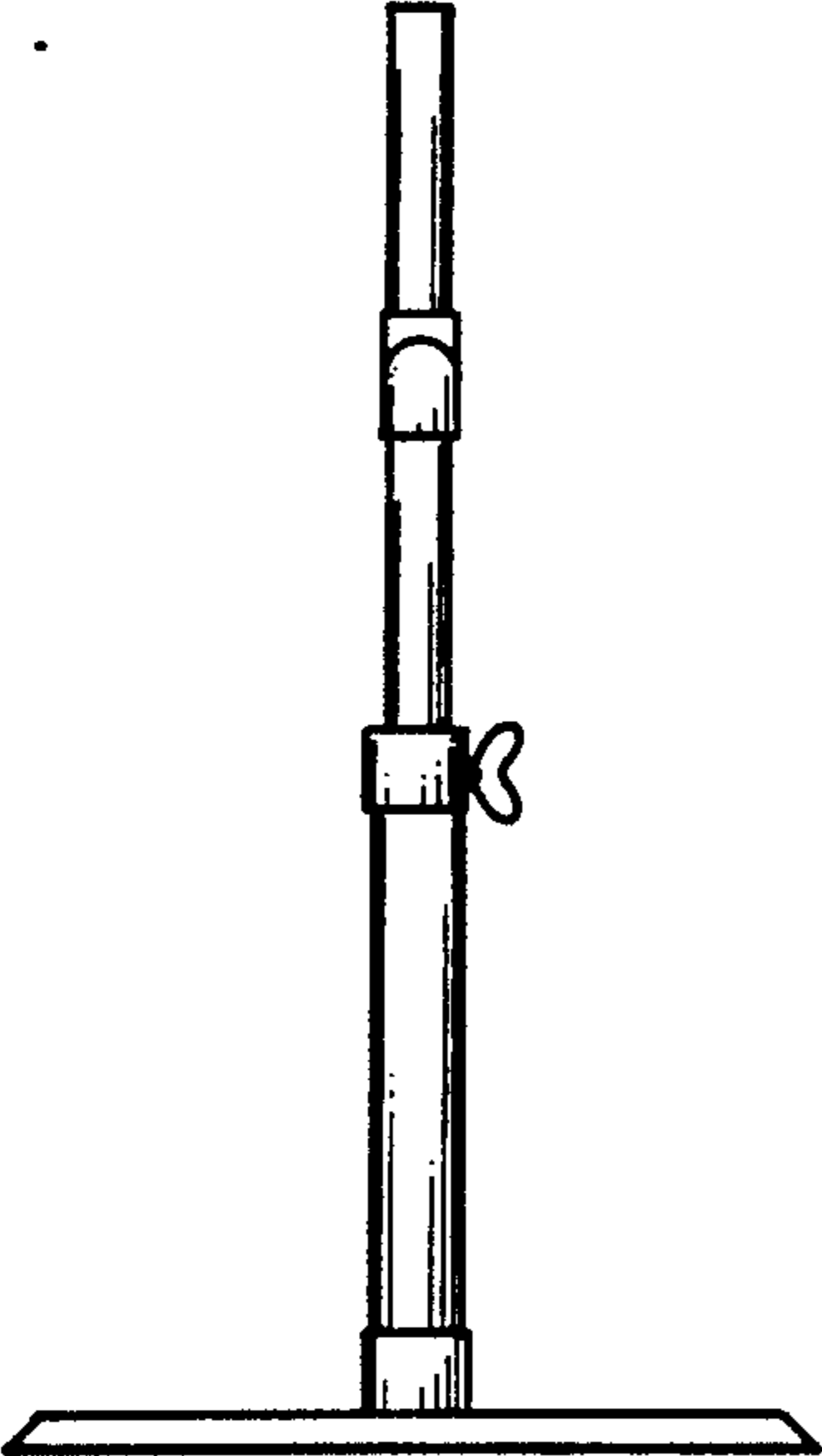


Fig. 3

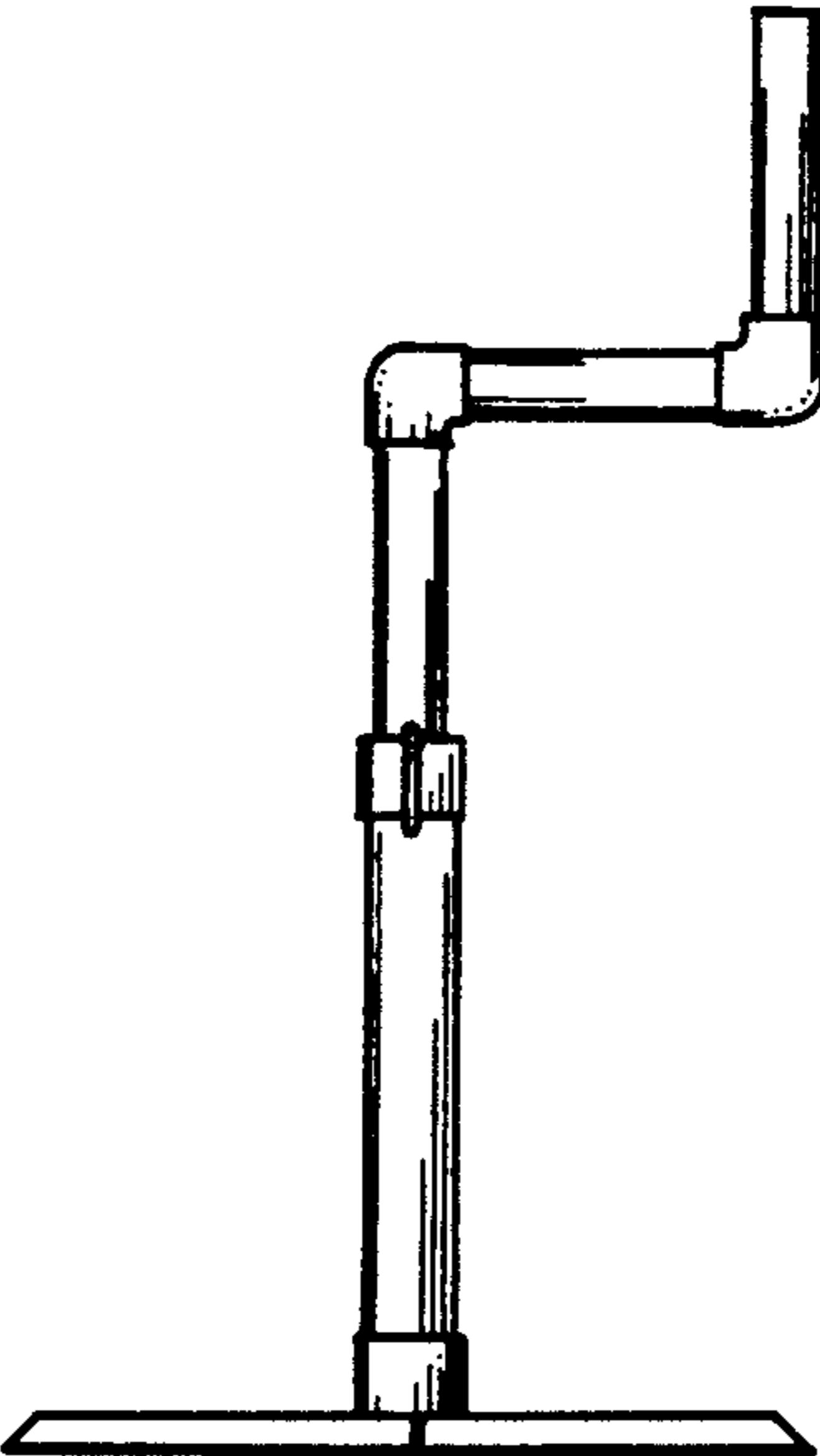


Fig. 4

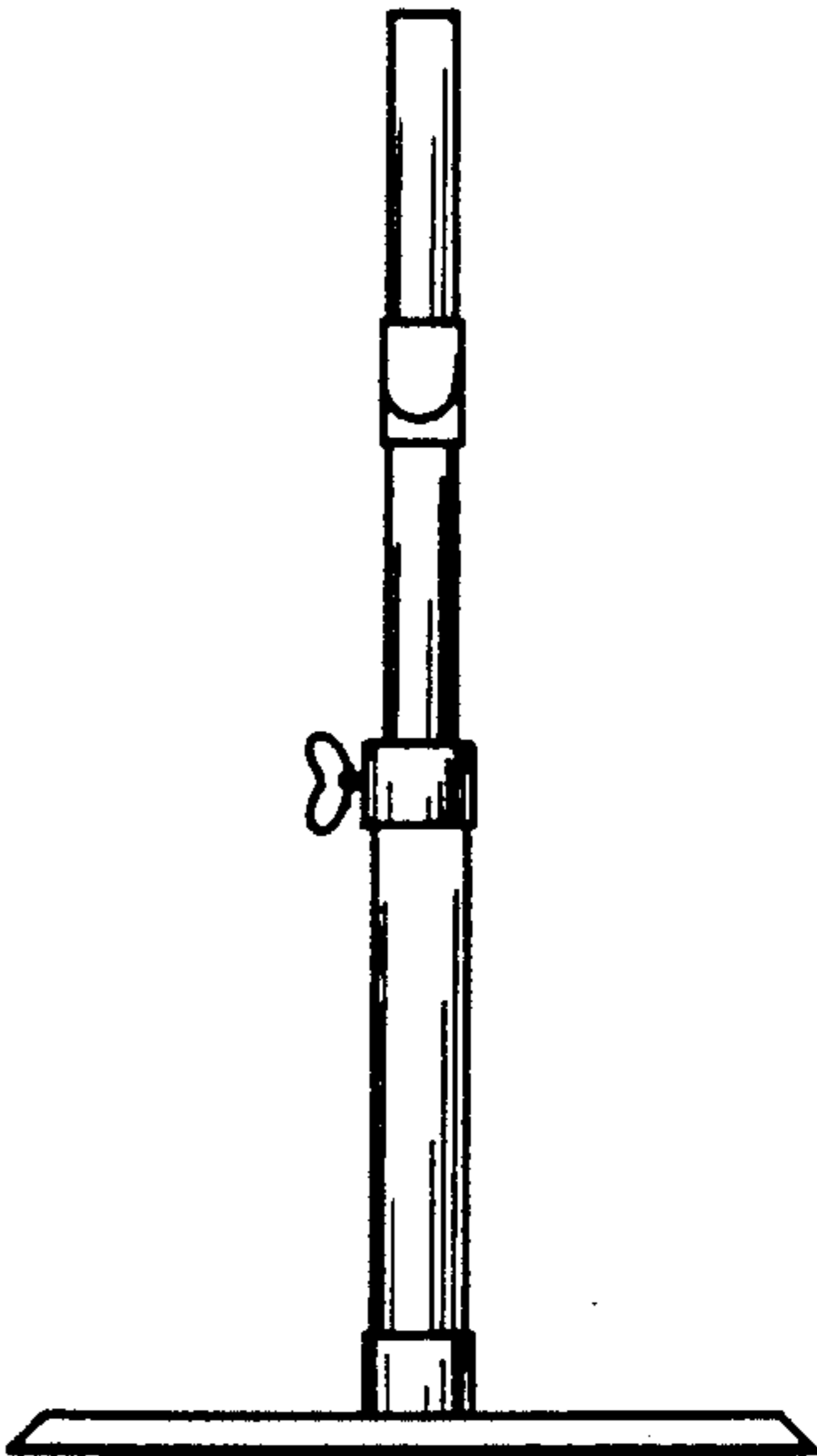


Fig. 5