

[54] INDEX TAB ORGANIZER

[75] Inventor: Michael R. Carretta, Tranquility, N.J.

[73] Assignee: M. R. Carretta & Co., Inc., Allamuchy, N.J.

[\*\*] Term: 14 Years

[21] Appl. No.: 395,564

[22] Filed: Aug. 14, 1989

[52] U.S. Cl. .... D19/92; D6/467; D19/65; D19/75; D19/86

[58] Field of Search ..... D6/467, 476, 510; D19/36, 65, 75, 78, 86, 90, 92, 95, 99, 100; 211/10, 11, 126, 128, 45, 50, 55; 206/215, 555, 557

[56] References Cited

U.S. PATENT DOCUMENTS

- D. 313,519 1/1991 Block ..... D6/476
- D. 317,017 5/1991 Kheng ..... D19/92 X
- D. 317,467 6/1991 Kheng ..... D9/92
- 1,248,653 12/1917 Hawley ..... 206/555

- 3,207,321 9/1965 Joyce ..... 211/126
- 3,236,371 2/1966 Regis, Jr. et al. .... 206/555
- 3,355,231 11/1967 Kegel ..... 211/126 X
- 4,011,952 3/1977 Smith et al. .... 211/10
- 4,131,203 12/1978 Bridges ..... 211/126 X
- 4,395,955 8/1983 Pfeifer ..... D6/510 X
- 4,454,949 6/1984 Flum ..... 211/126 X

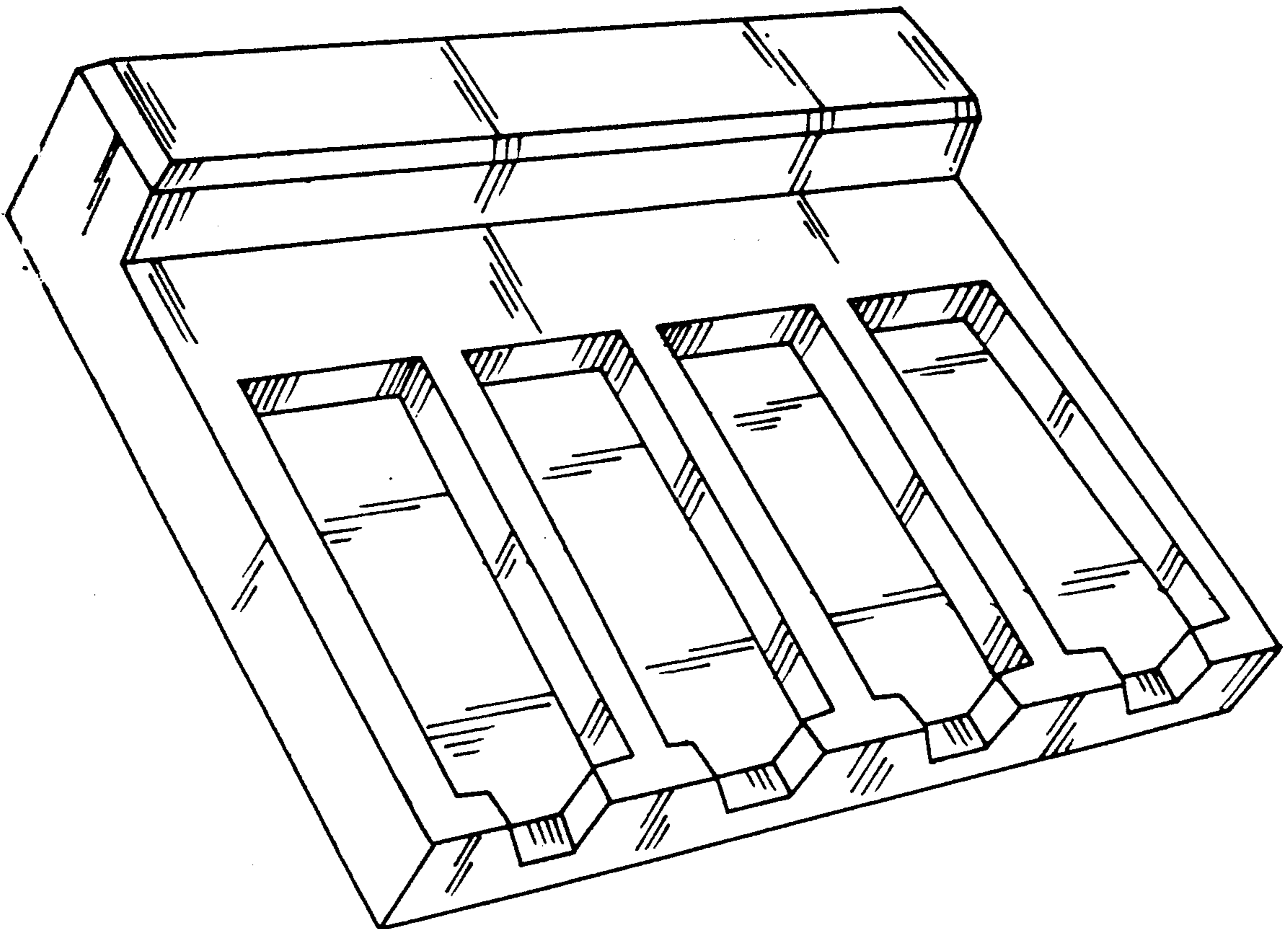
Primary Examiner—Bruce W. Dunkins  
Assistant Examiner—Martha Thompson  
Attorney, Agent, or Firm—Lerner, David, Littenberg, Krumholz & Mentlik

[57] CLAIM

The ornamental design for an index tab organizer, as shown and described.

DESCRIPTION

FIG. 1 is a top, left front perspective view of an index tab organizer showing my new design; FIG. 2 is a front elevational view; FIG. 3 is a rear elevational view; FIG. 4 is a left side elevational view, the right side being a mirror image thereof; FIG. 5 is a top plan view; and FIG. 6 is a bottom plan view thereof.



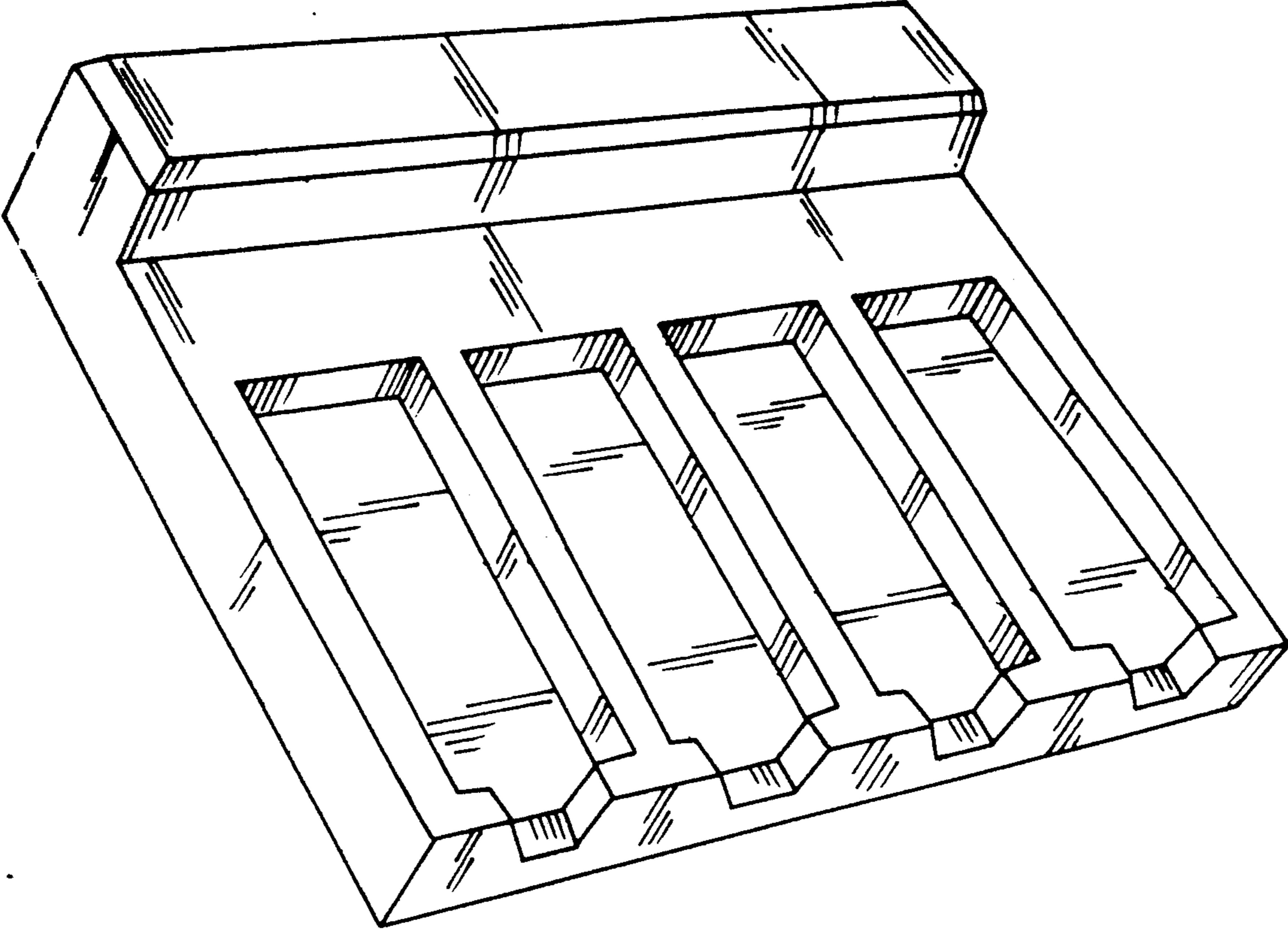


FIG. 1

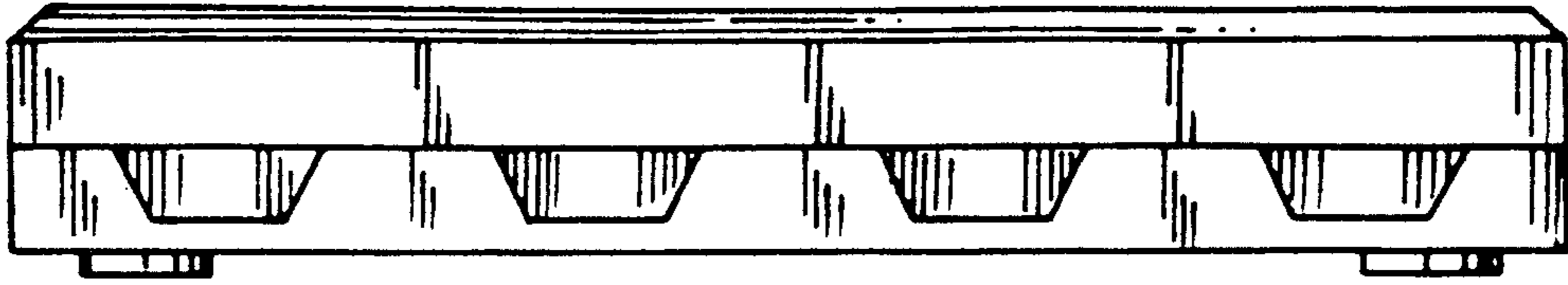


FIG. 2

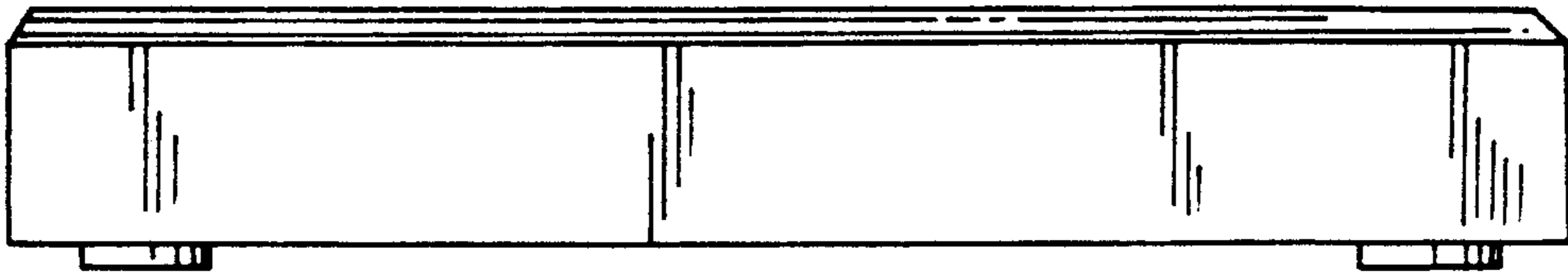


FIG. 3

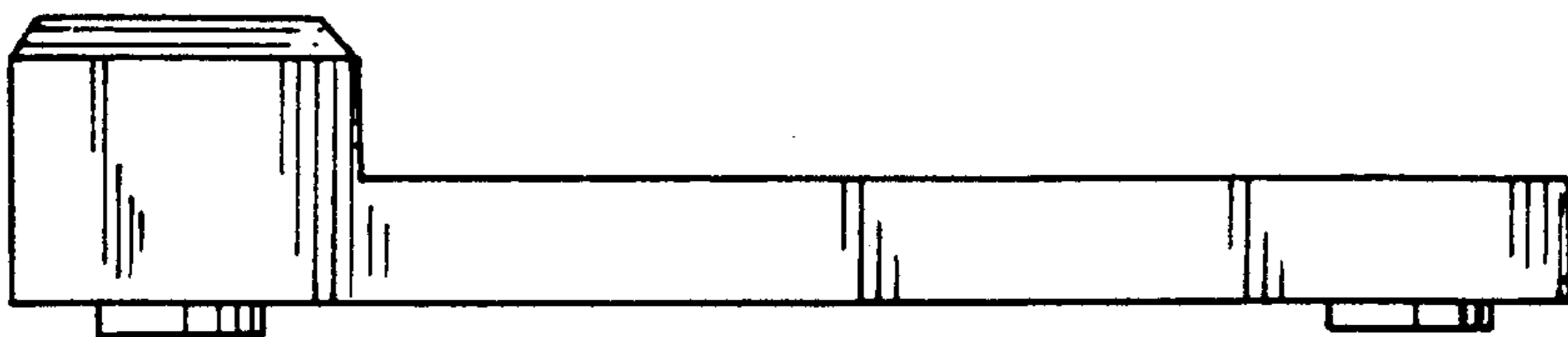


FIG. 4



FIG. 5

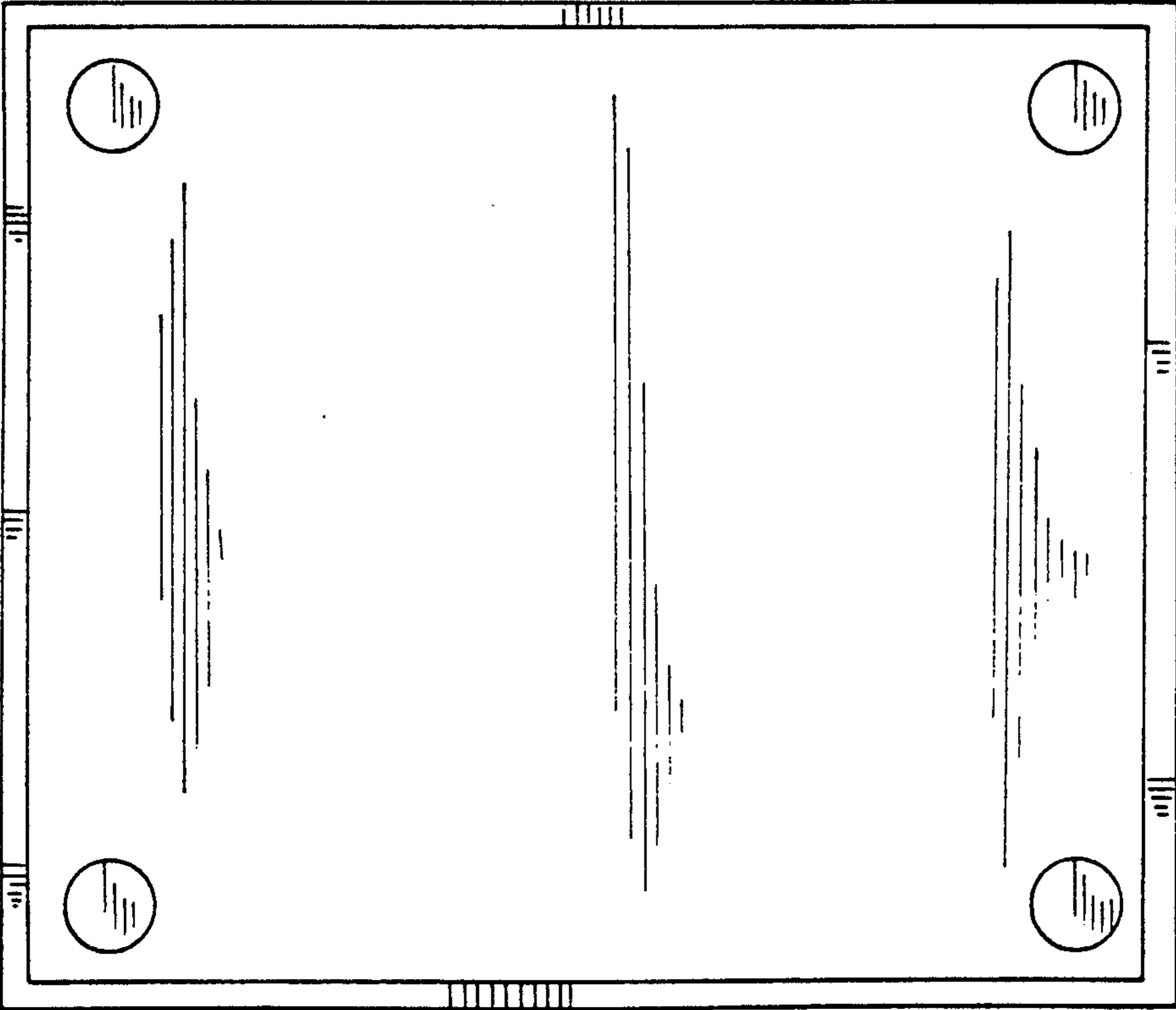


FIG. 6