

[54] COMBINED FOLDING, INSERTING AND SEALING MACHINE

[75] Inventor: Rex M. K. Gough, Cambridge, United Kingdom

[73] Assignee: Pitney Bowes Plc, United Kingdom

[**] Term: 14 Years

[21] Appl. No.: 276,561

[22] Filed: Nov. 28, 1988

[30] Foreign Application Priority Data

May 27, 1988 [GB] United Kingdom 1051065

[52] U.S. Cl. D18/34

[58] Field of Search D18/34, 35; 270/45, 270/46; 156/442.1; 53/117, 284.3; 493/418, 419, 420

[56] References Cited

U.S. PATENT DOCUMENTS

D. 127,851	6/1941	Davidson et al.	D18/34
D. 164,126	7/1951	O'Neil	D18/34
D. 267,018	11/1982	Balmer	D18/34
D. 312,562	12/1990	Söderberg	D18/34
2,728,178	12/1955	Kern	270/45
4,061,326	12/1977	Proudman	493/418
4,471,598	9/1984	Sanz	53/266 A

4,573,672	3/1986	Lehmann et al.	270/45
4,799,989	1/1989	Marzullo	156/442.1
4,843,802	7/1989	Noll	53/117
4,875,965	10/1989	Marzullo	156/442.1
4,966,353	10/1990	Lehmann et al.	493/420

OTHER PUBLICATIONS

OP/Jan. 1979; p. 54; Fastfold 17, top left corner ad from Michael Business Machines.

AKB Folder, Inserter brochure, May 1, 1986; Cover photo.

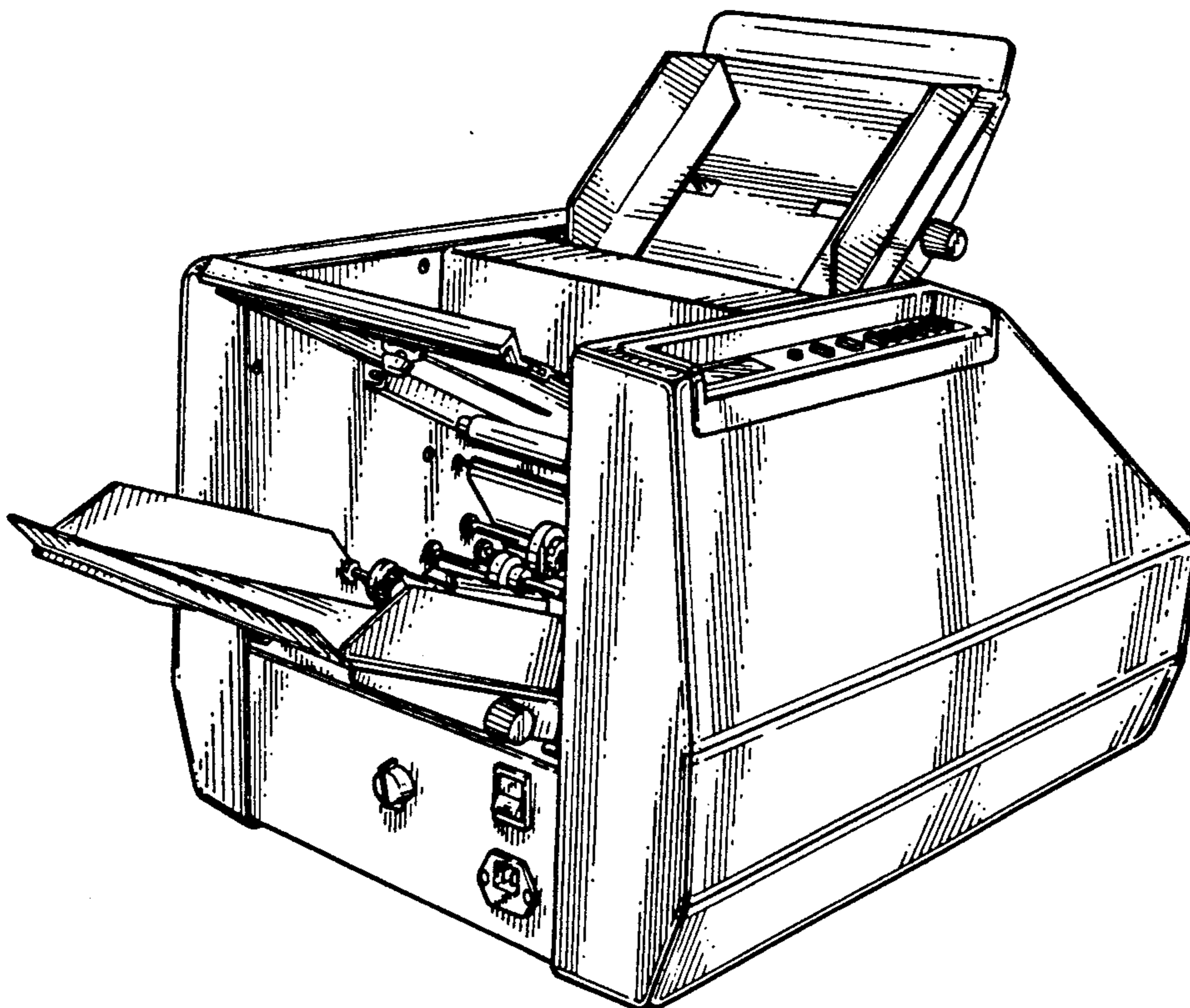
Primary Examiner—A. Hugo Word
Assistant Examiner—Cathy Anne MacCormac
Attorney, Agent, or Firm—Lalos & Keegan

[57] CLAIM

The ornamental design for a combined folding, inserting and sealing machine, as shown and described.

DESCRIPTION

FIG. 1 is a perspective view taken from the top, front and right side of a combined folding, inserting, and sealing machine showing my new design; FIG. 2 is a front elevational view thereof; FIG. 3 is a rear elevational view thereof; FIG. 4 is a top plan view thereof; FIG. 5 is a right side elevational view thereof; FIG. 6 is a left side elevational view thereof; and FIG. 7 is a bottom plan view thereof.



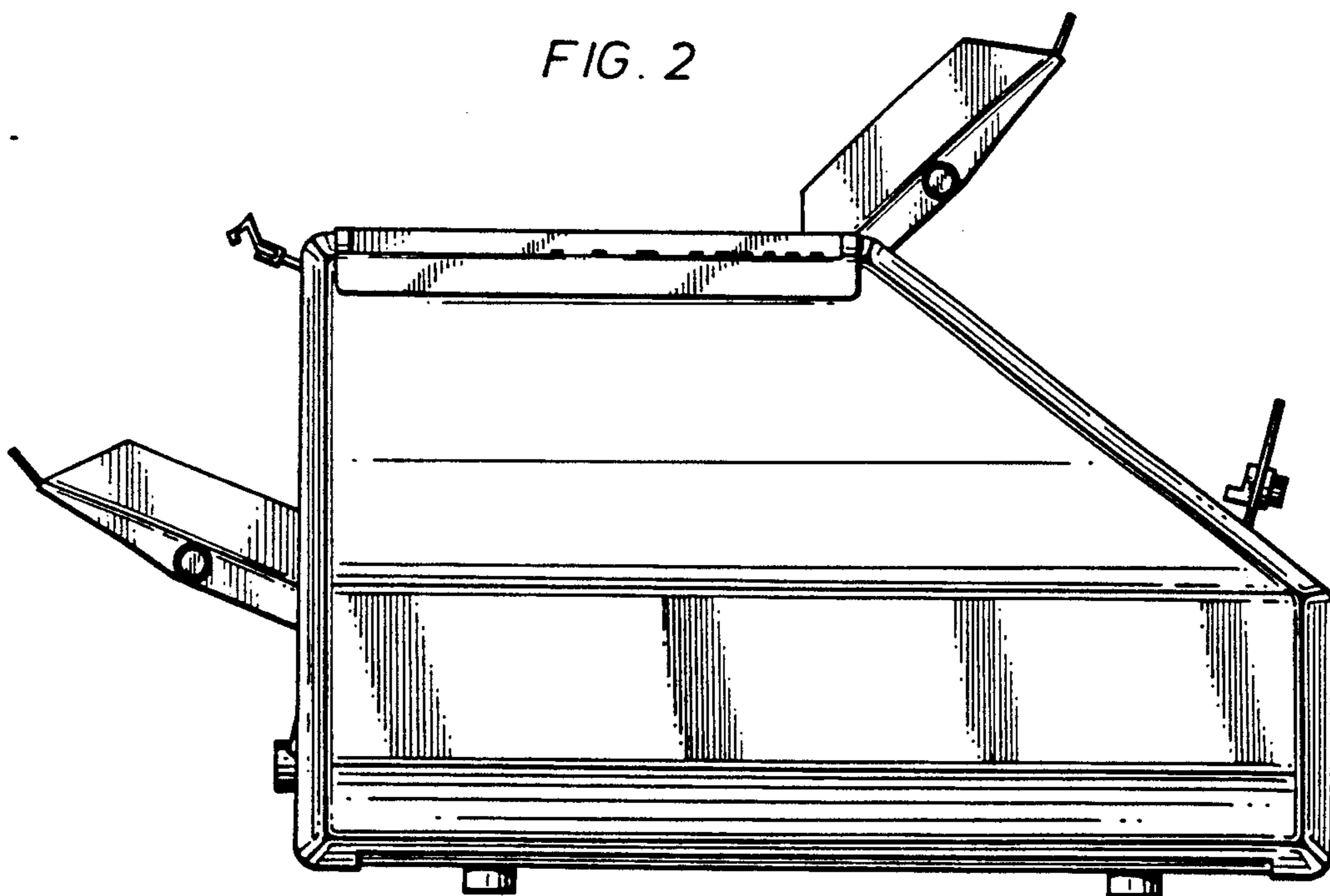
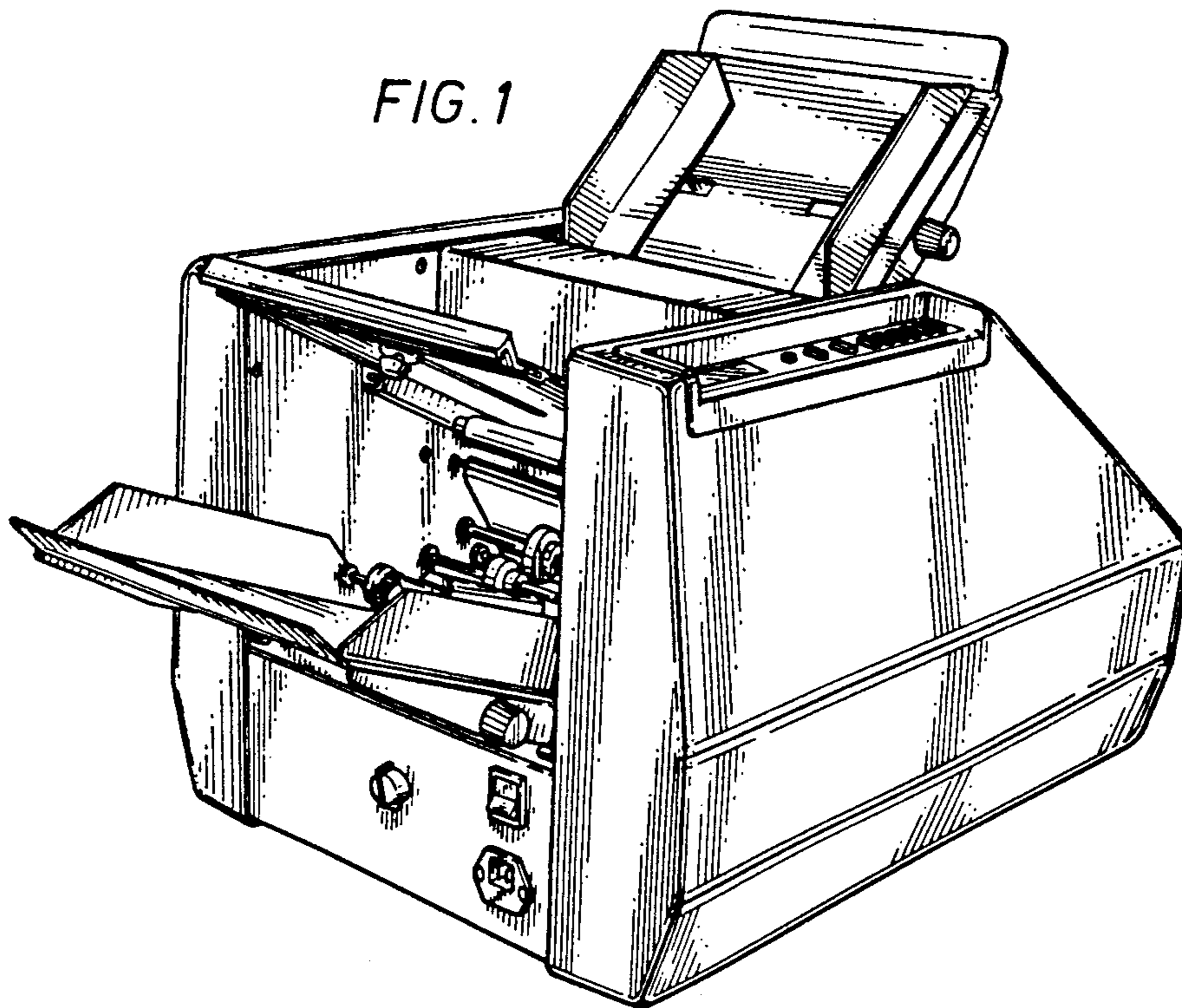


FIG. 3

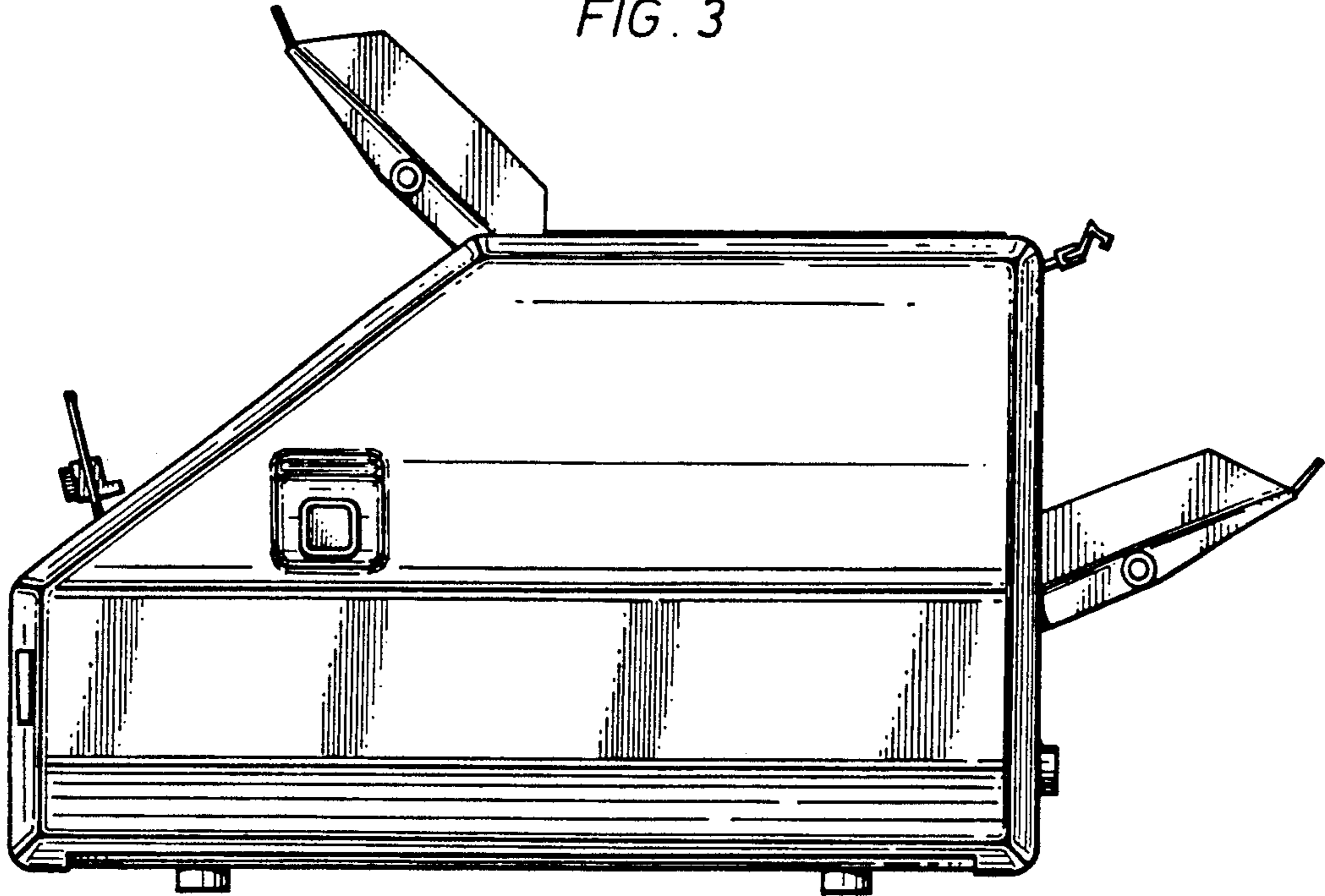


FIG. 4

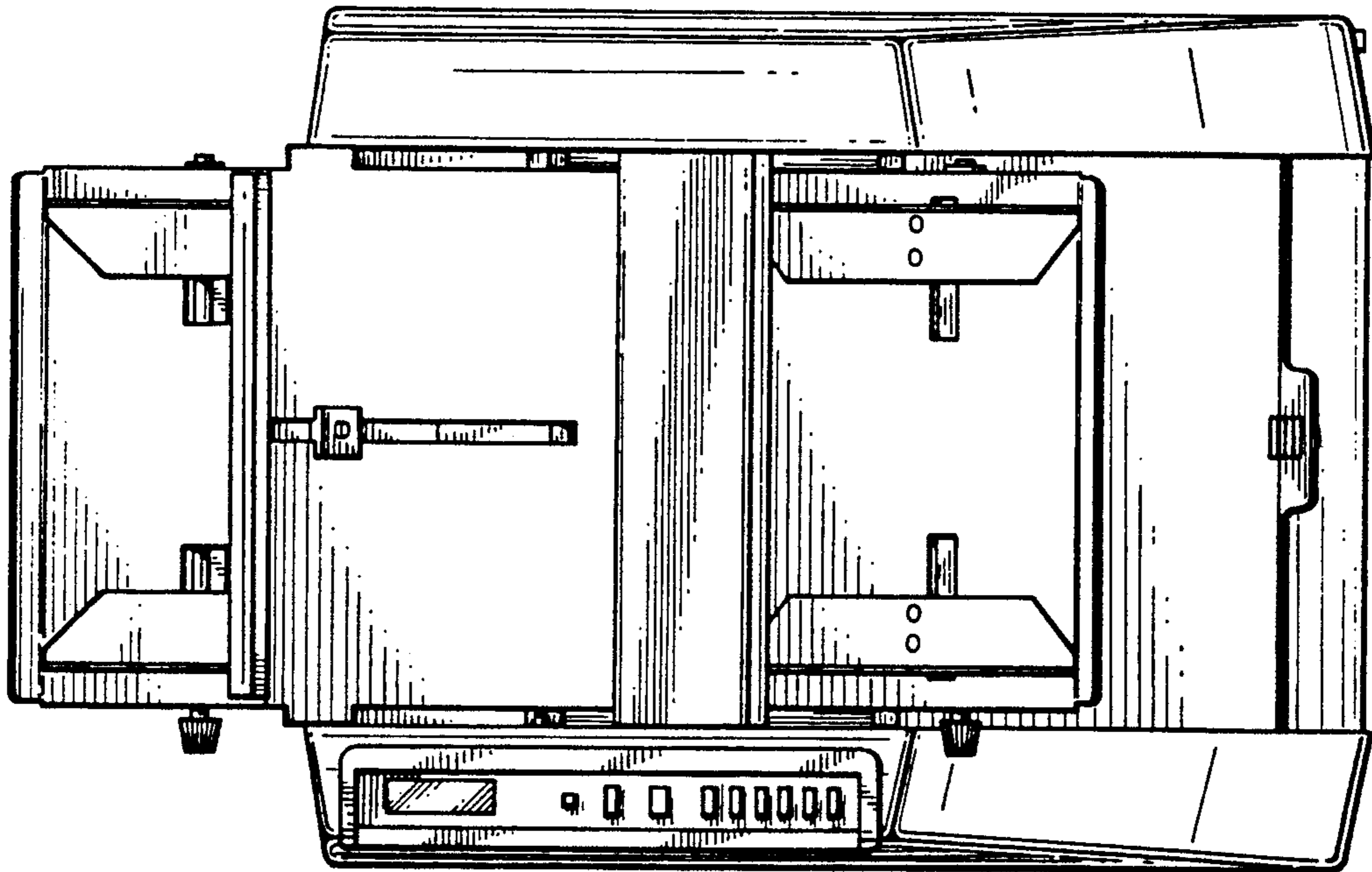


FIG. 5

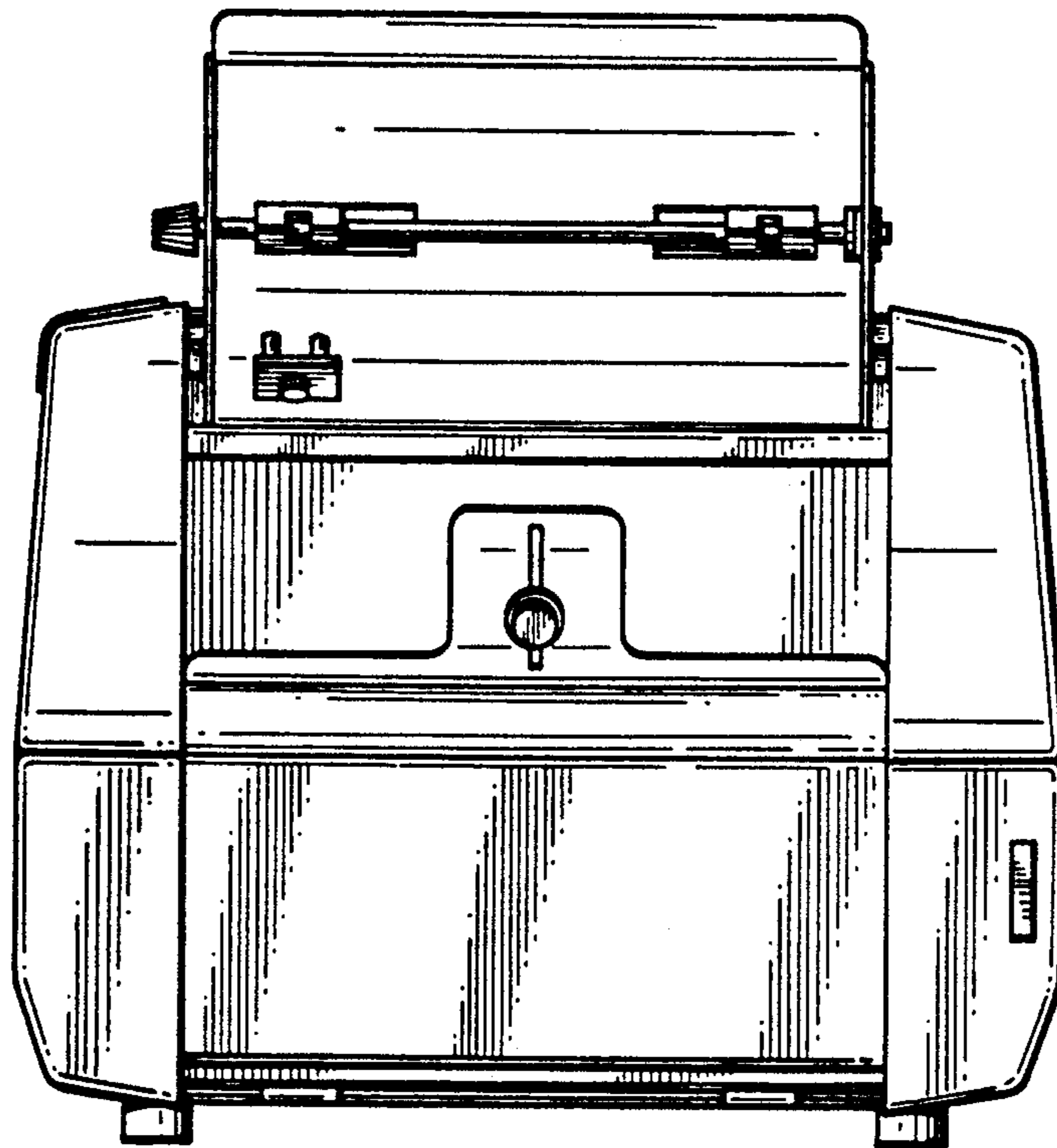


FIG. 6

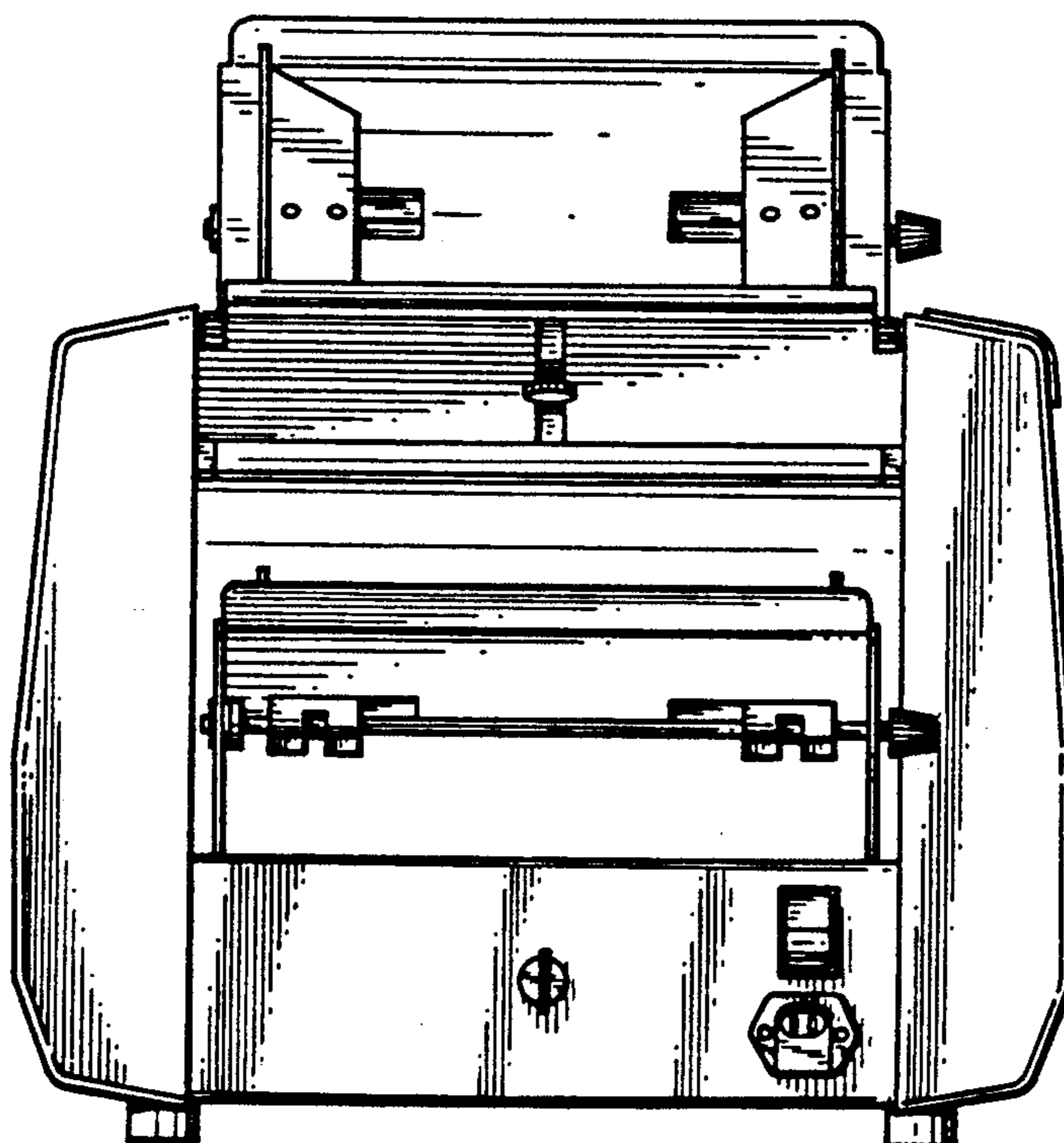


FIG. 7

