

[54] **PRINTER**

[75] Inventors: **Marguerite H. Doyle**, Lexington; **Troy A. Lee**, Nicholasville; **Nadia Nouri**, Lexington; **Steven A. Silverstein**, Lexington; **James P. Wang**, Lexington; **Bernard L. Wilzbach**, Lexington; **Krikor Yosmali**, Lexington, all of Ky.

[73] Assignee: **Lexmark International, Inc.**, Greenwich, Conn.

[**] Term: **14 Years**

[21] Appl. No.: **313,253**

[22] Filed: **Feb. 22, 1989**

[52] U.S. Cl. **D18/55**

[58] Field of Search **D14/111, 118; D18/13, D18/34, 36; 400/613, 613.2, 613.3, 613.4, 691-694; 364/708**

[56] **References Cited**

U.S. PATENT DOCUMENTS

- D. 291,095 7/1987 Morozumi et al. D18/13
- D. 292,004 9/1987 Fukuda D18/36
- D. 296,906 7/1988 Burrows et al. D18/13

- D. 307,764 5/1990 Kojima D18/13
- D. 308,219 5/1990 Yoshida D18/13
- D. 308,695 6/1990 Eto et al. D18/13

OTHER PUBLICATIONS

Modern Ofc. Technology; Jun. 1989; p. 8; Mannesmann Tally advertisement.
Genicom 5010 brochure; p. 5.
Canon LBP-8II Laser Beam Printer brochure; 1987; cover page.

Primary Examiner—A. Hugo Word
Assistant Examiner—Cathy Anne MacCormac
Attorney, Agent, or Firm—John J. McArdle, Jr.

[57] **CLAIM**

The ornamental design for a printer, as shown and described.

DESCRIPTION

FIG. 1 is a top plan view of the printer; FIG. 2 is a front elevational view thereof; FIG. 3 is a right side elevational view thereof; FIG. 4 is a left side elevational view thereof; FIG. 5 is a rear elevational view thereof; FIG. 6 is a bottom plan view thereof; and FIG. 7 is a perspective view thereof showing the front, right side and top view thereof.

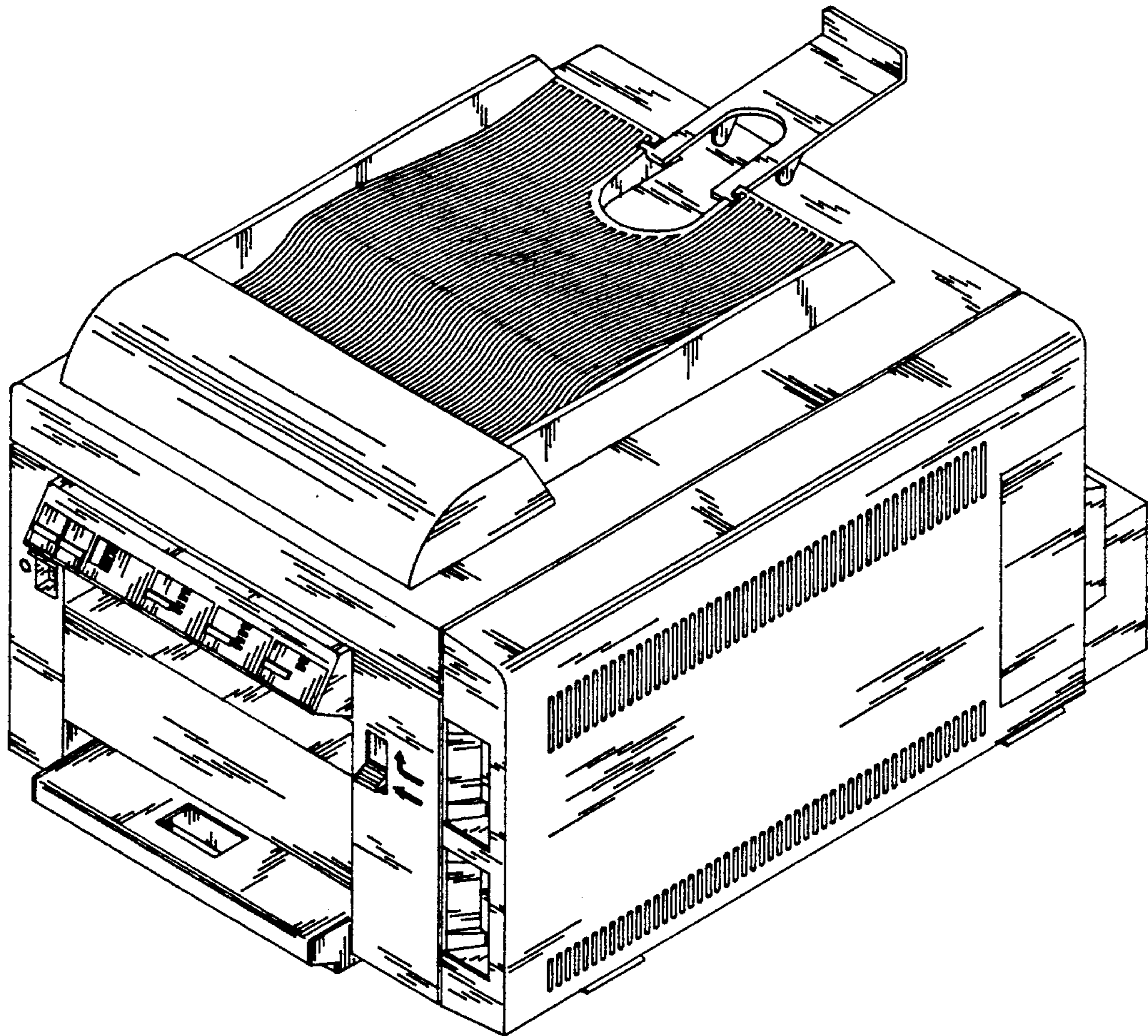


FIG. 1

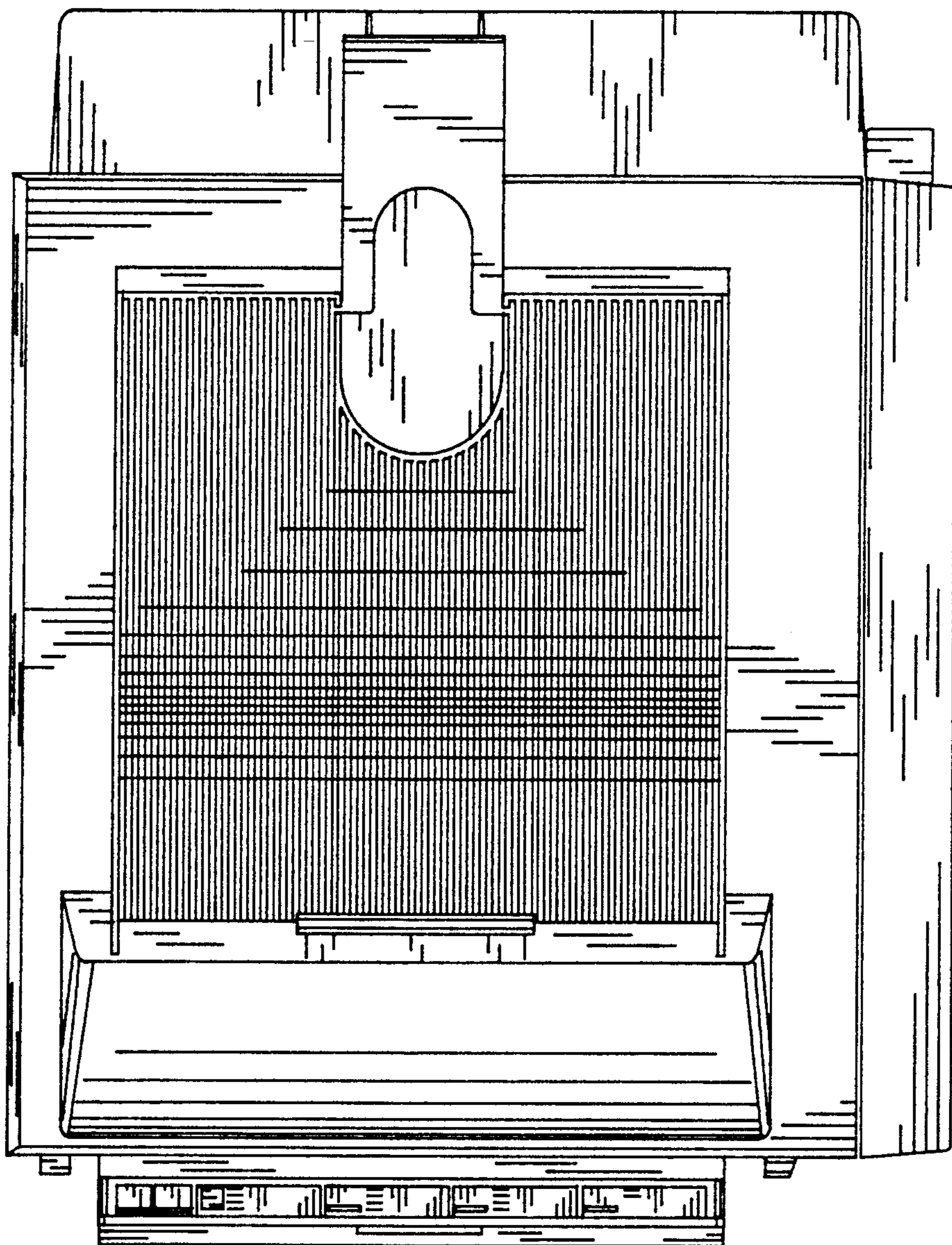


FIG. 2

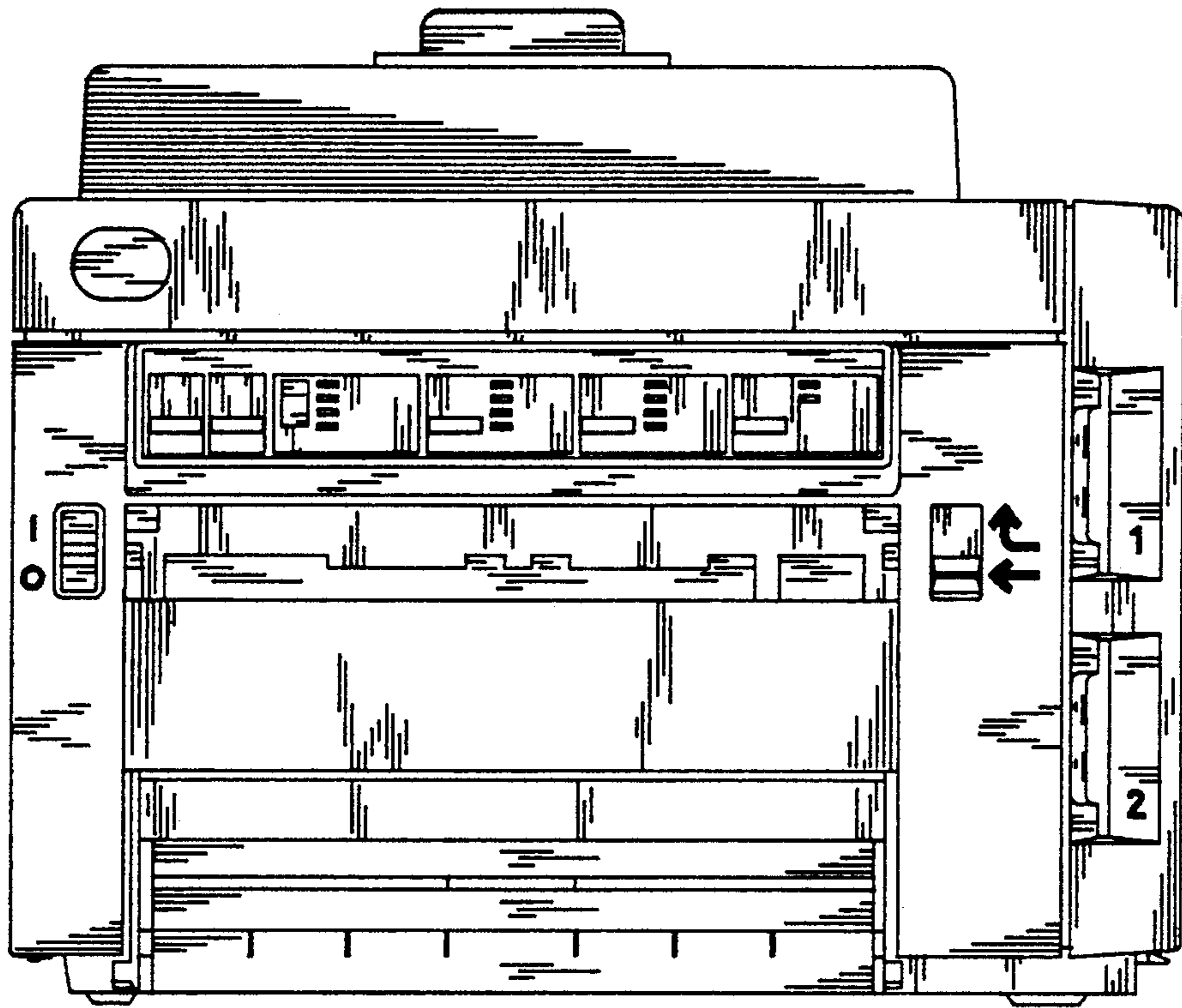


FIG. 5

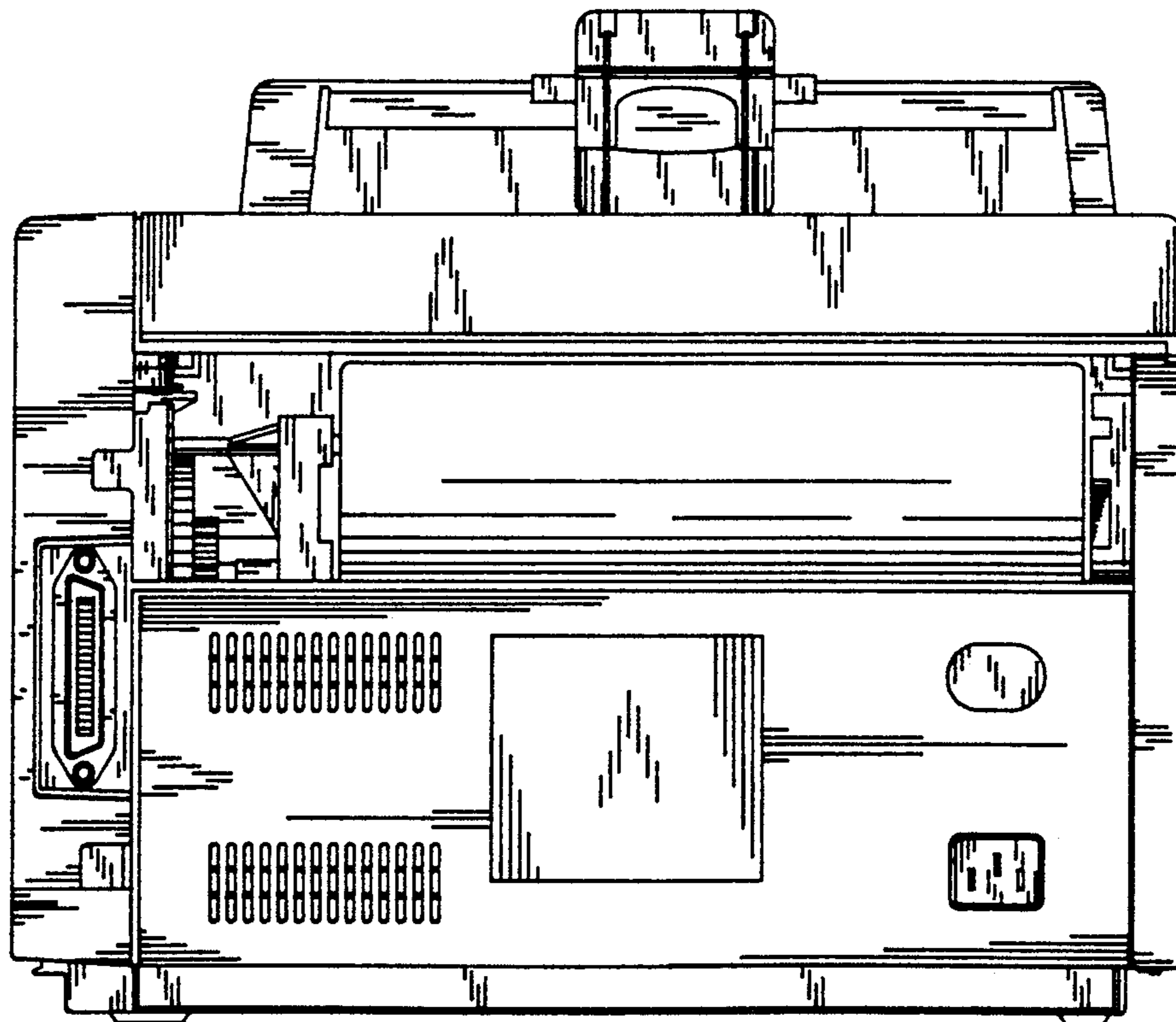


FIG. 3

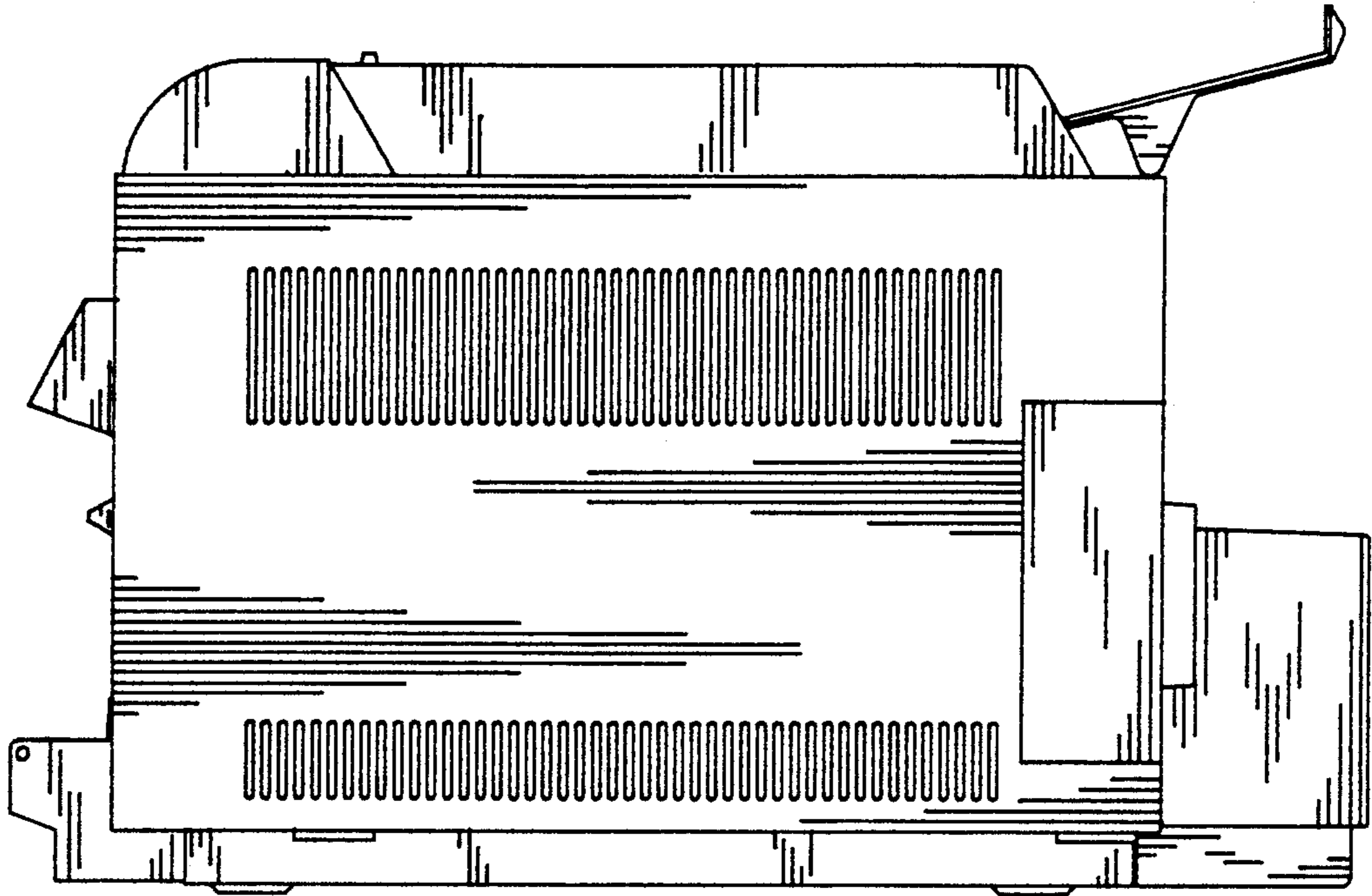


FIG. 4

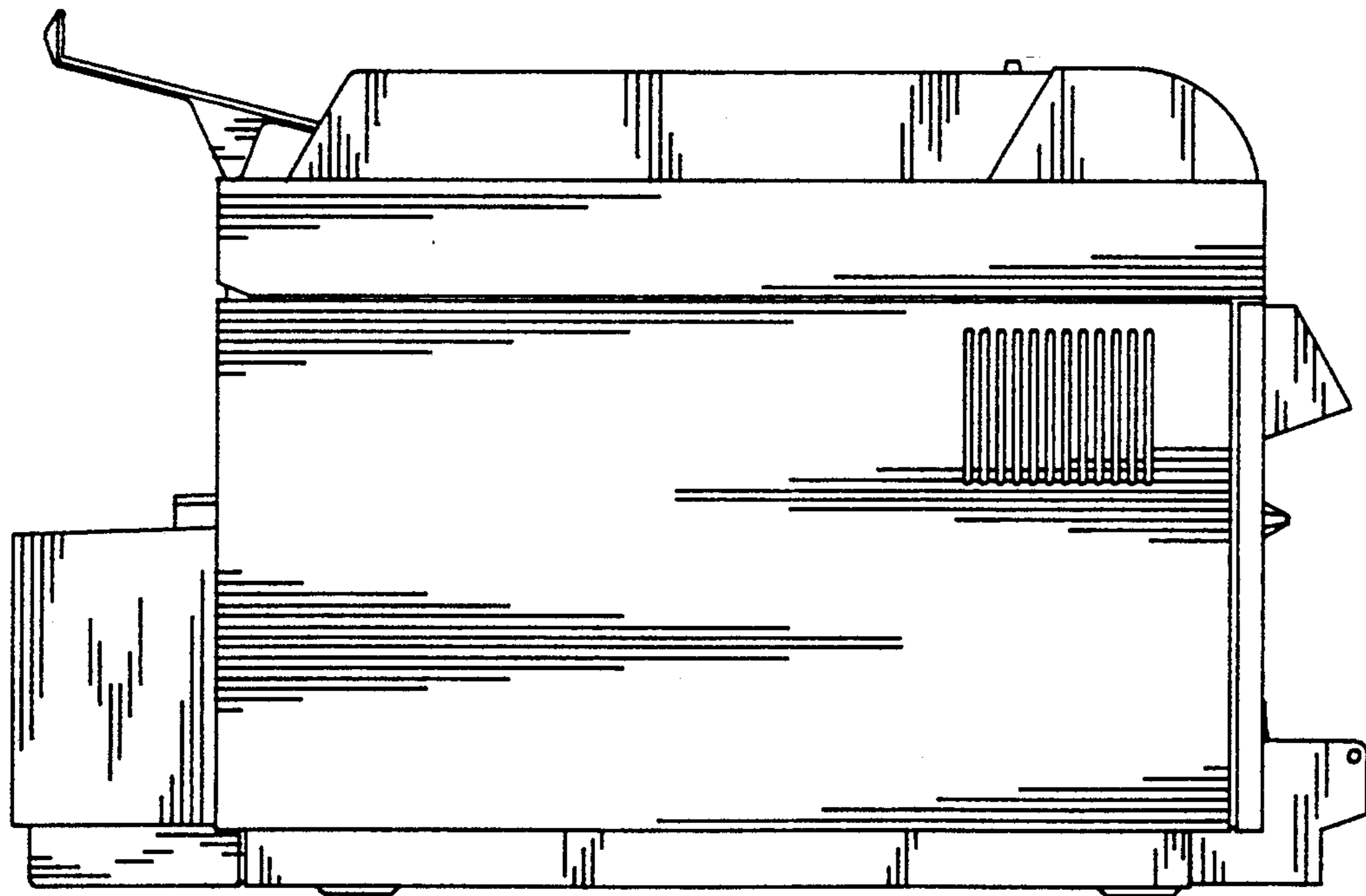
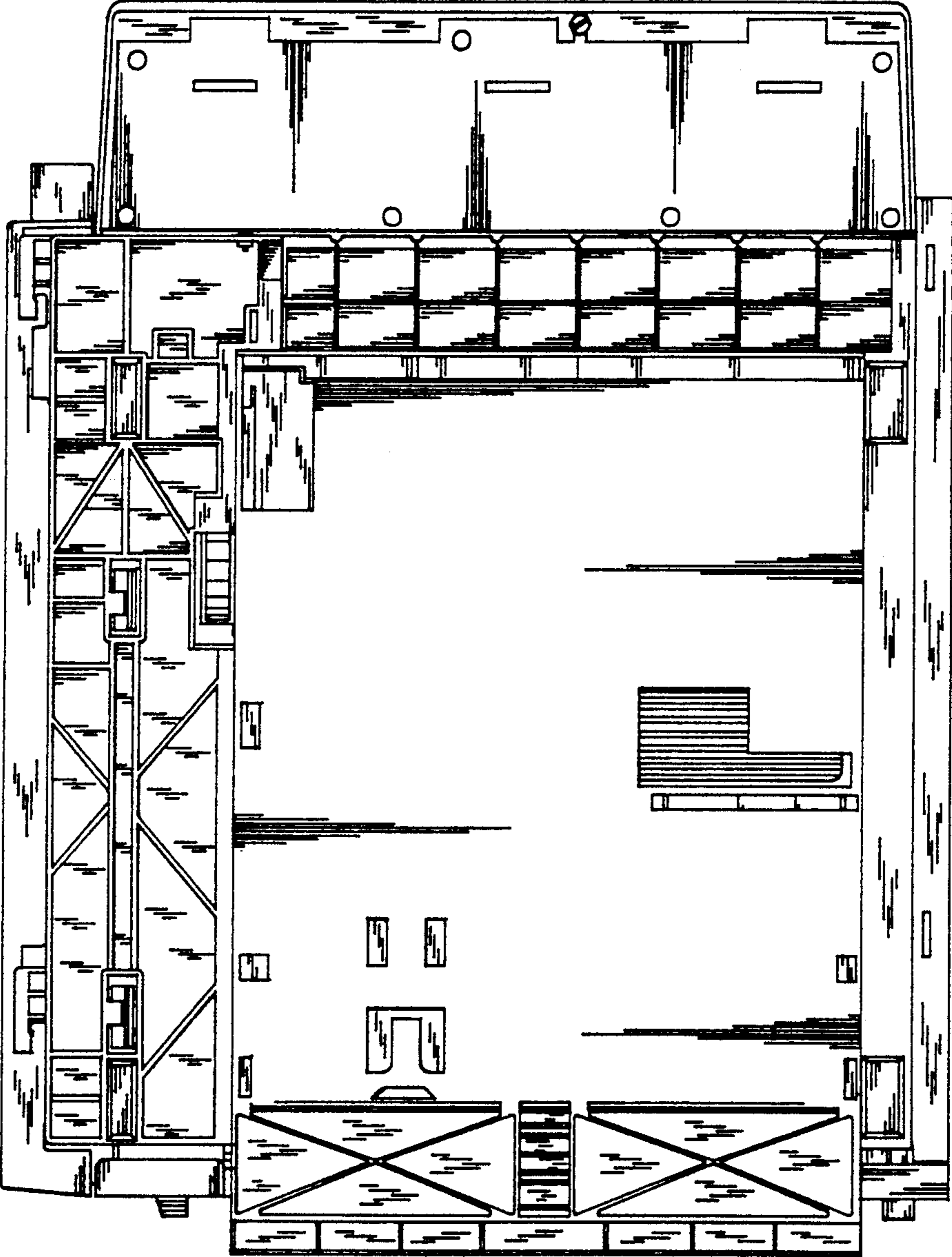


FIG. 6



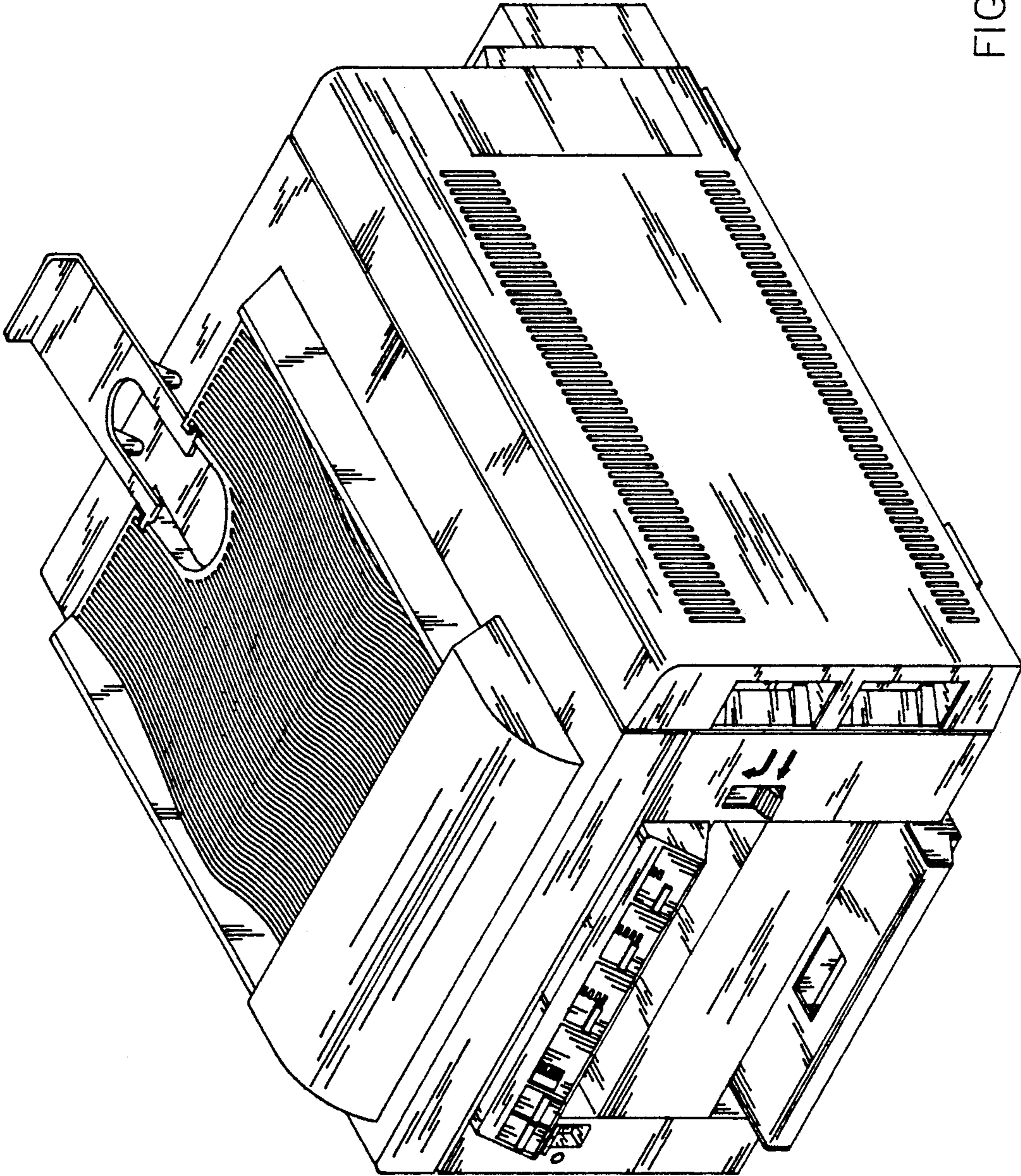


FIG. 7