

[54] PROJECTOR

[75] Inventors: Shigeru Kurozumi; Taisuke Saeki; Harumi Sakamoto, all of Osaka, Japan

[73] Assignee: Sharp Corporation, Osaka, Japan

[**] Term: 14 Years

[21] Appl. No.: 365,911

[22] Filed: Jun. 14, 1989

[30] Foreign Application Priority Data

Dec. 19, 1988 [JP] Japan 63-49571

[52] U.S. Cl. D16/221; D16/205

[58] Field of Search D16/200, 202, 203-205, D16/218, 221, 230, 234; D21/110; 352/34, 242, 243; 353/119, 115; 354/82, 288

[56] References Cited

U.S. PATENT DOCUMENTS

D. 181,312 10/1957 Parisson et al. D16/233

D. 201,475 6/1965 Ross, Jr. D16/205
D. 211,834 7/1968 Kapilow et al. D16/221
D. 214,345 6/1969 Hansen D16/205
3,938,886 2/1976 Uchidoi et al. 353/115

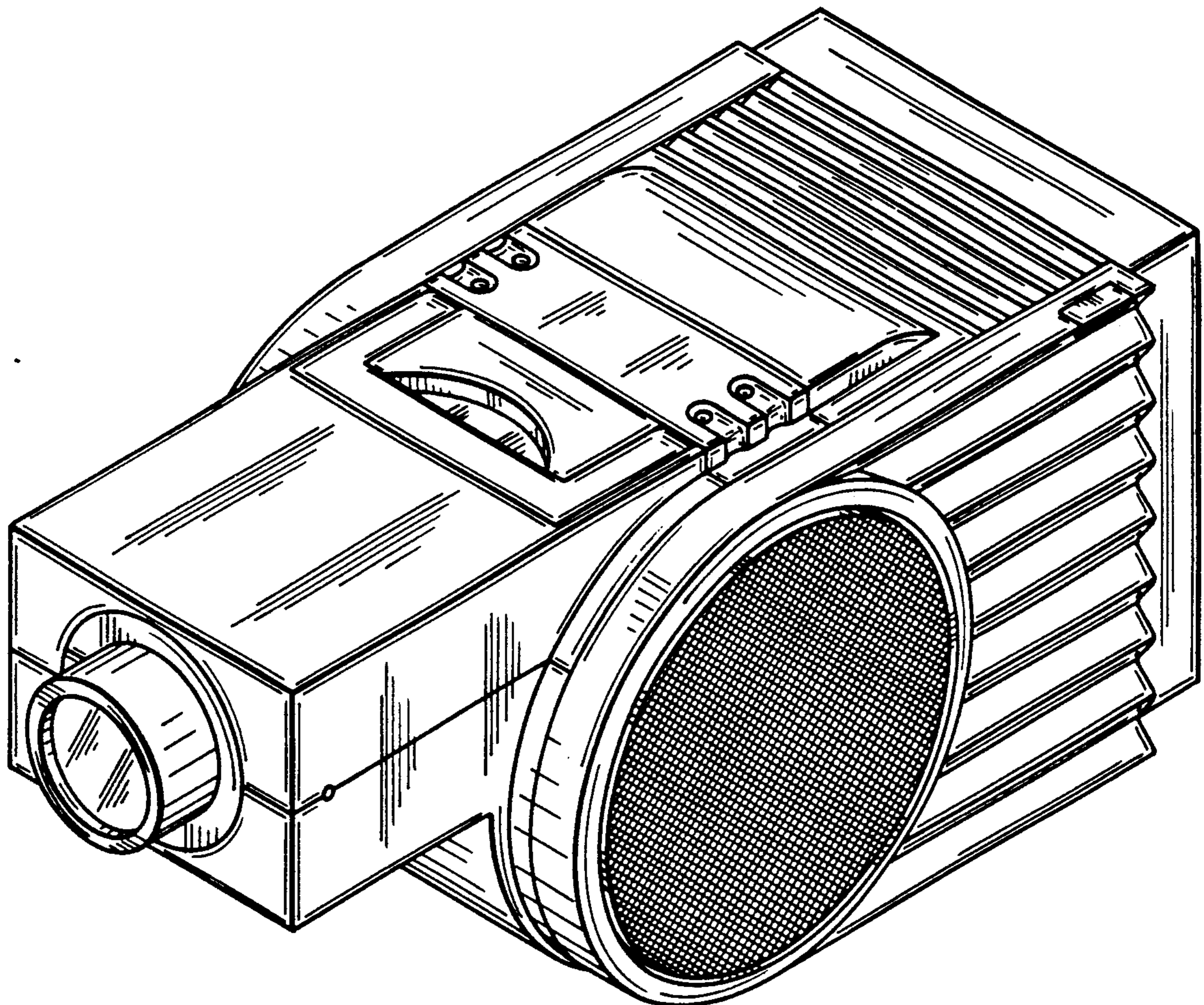
Primary Examiner—Bernard Ansher
Assistant Examiner—Adir Aronovich
Attorney, Agent, or Firm—Flehr, Hohbach, Test, Albritton & Herbert

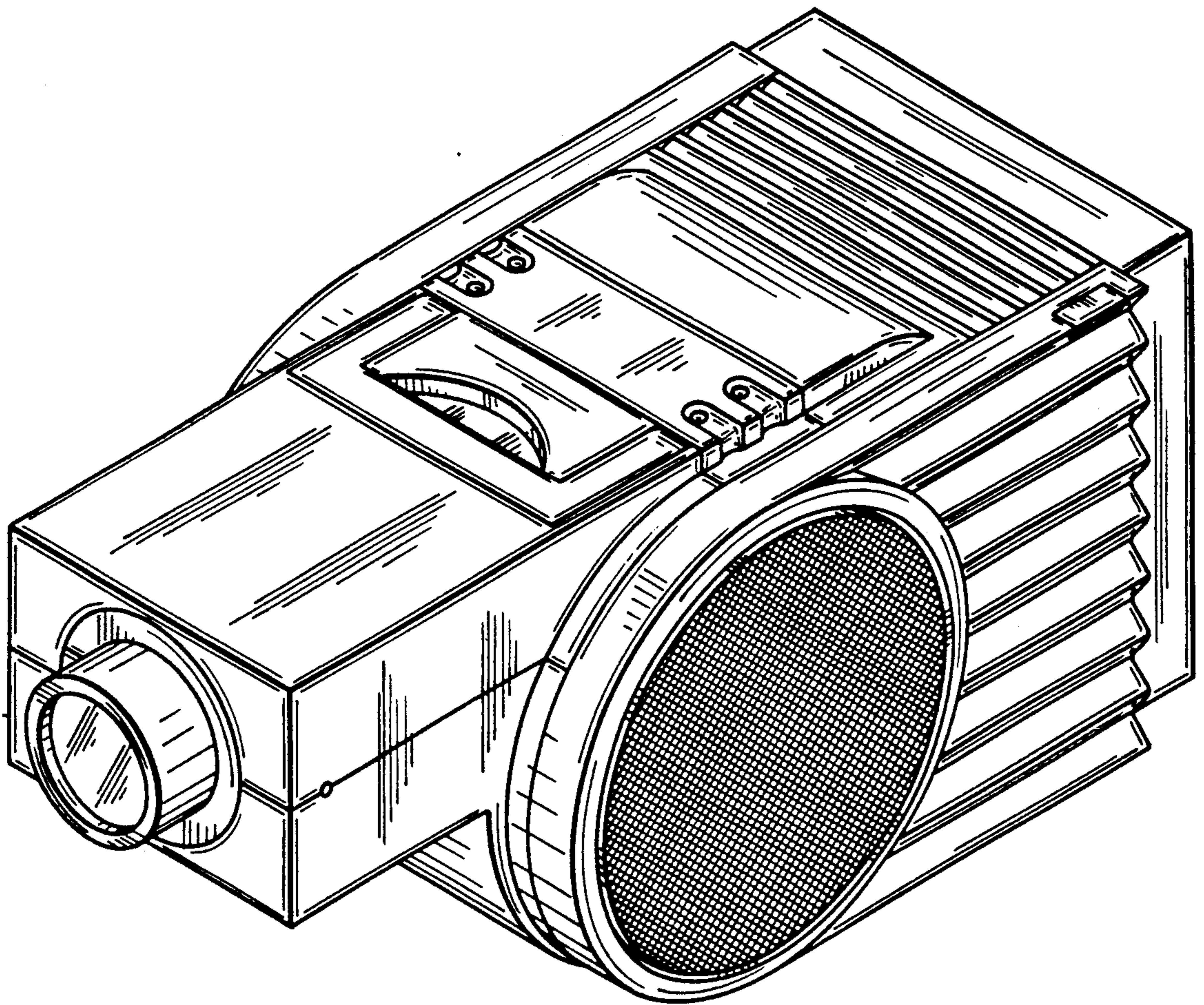
[57] CLAIM

The ornamental design for a projector, shown and described.

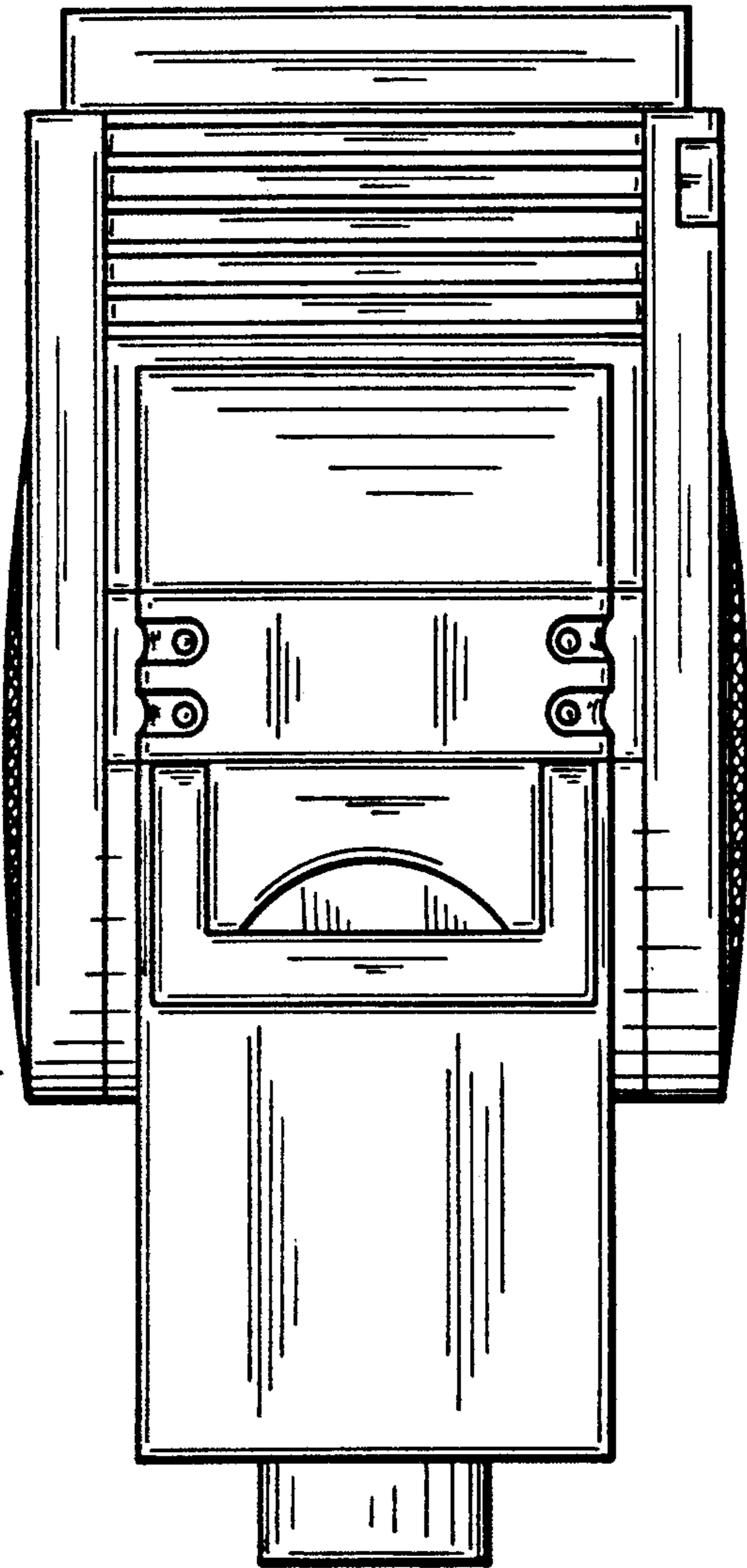
DESCRIPTION

FIG. 1 is a perspective view of a projector showing our new design;
FIG. 2 is a top plan view thereof;
FIG. 3 is a bottom plan view thereof;
FIG. 4 is a front elevational view thereof;
FIG. 5 is a rear elevational view thereof;
FIG. 6 is a right side elevational view thereof; and
FIG. 7 is a left side elevational view thereof.

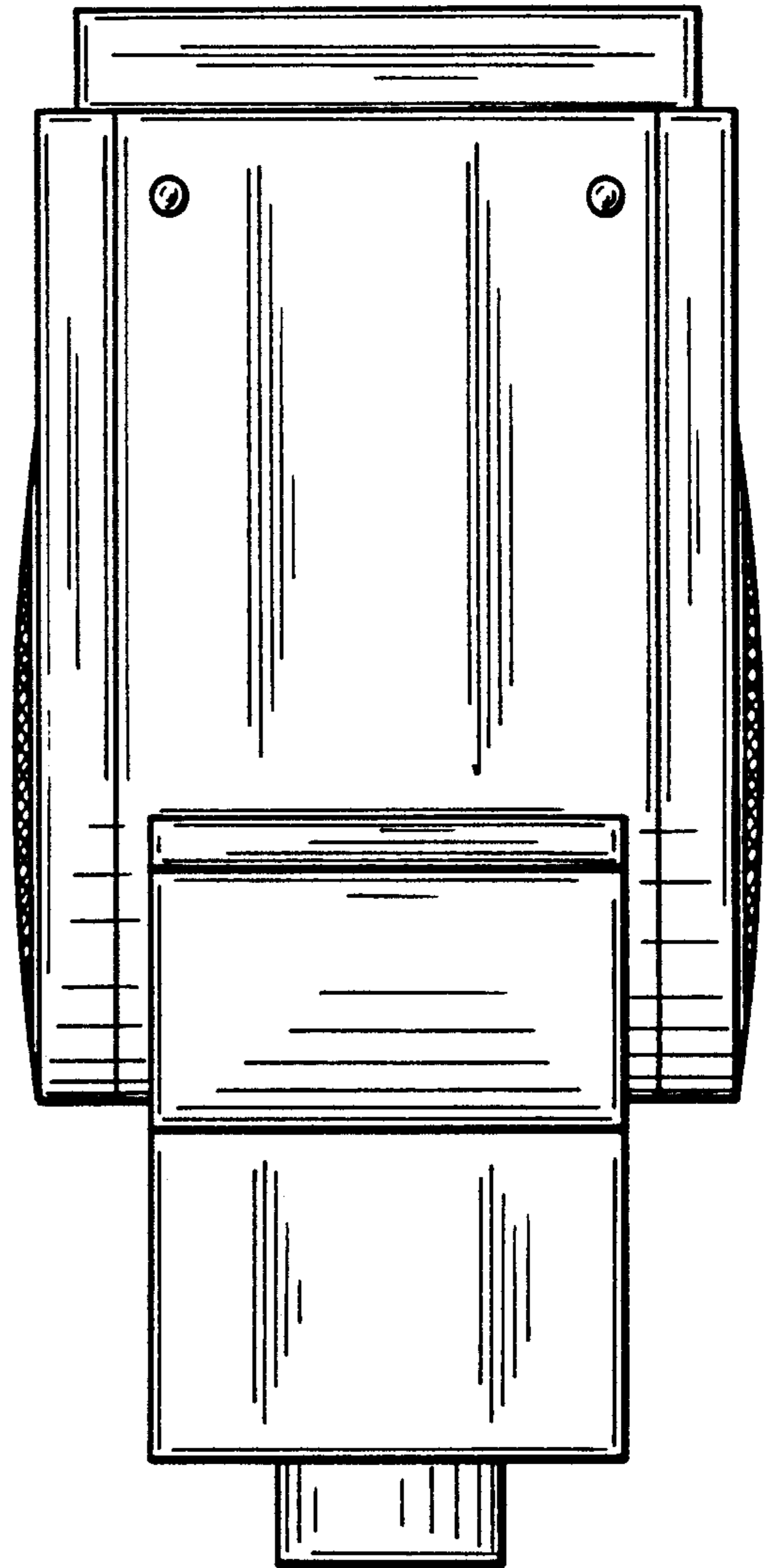




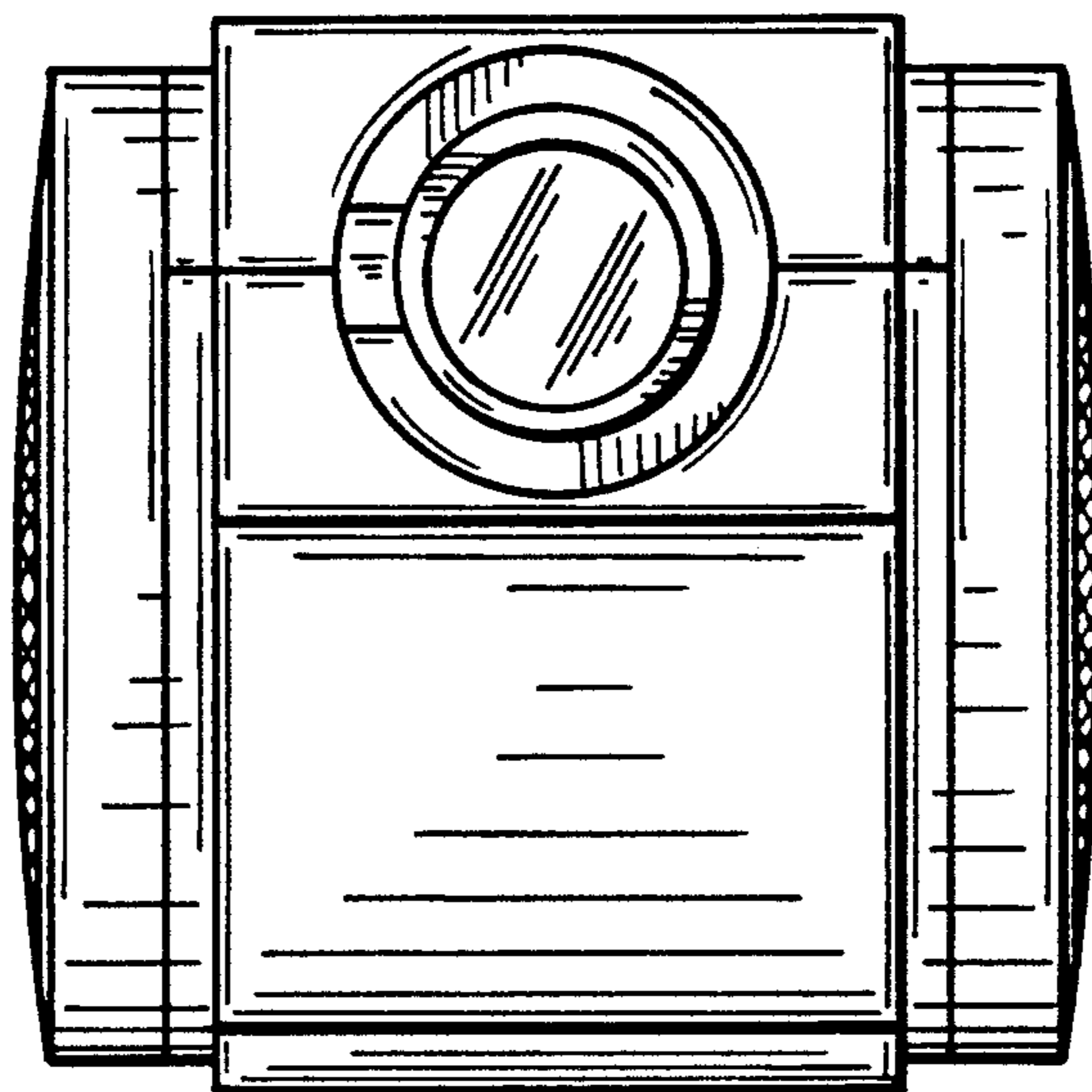
FIG_1



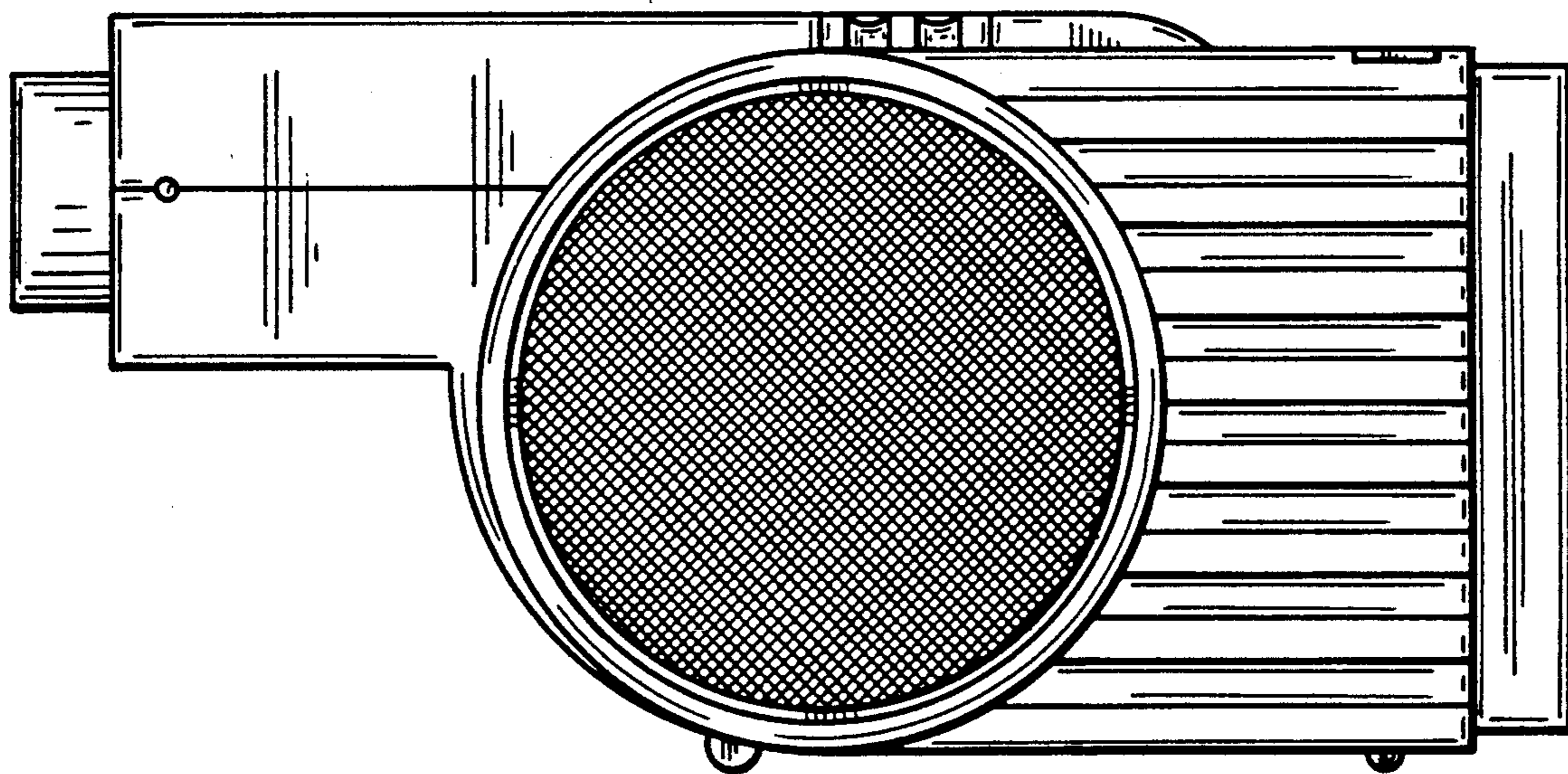
FIG_2



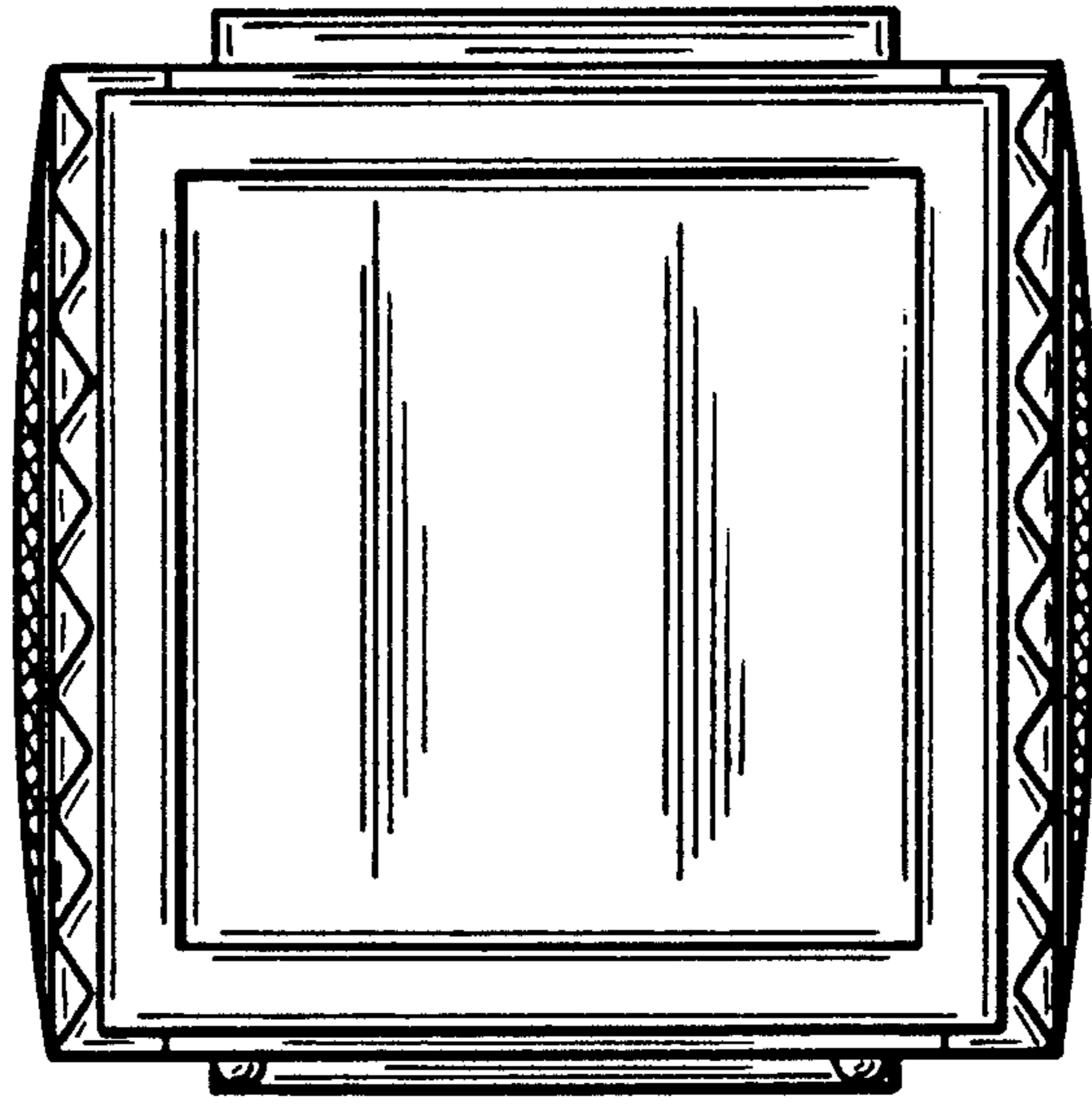
FIG_3



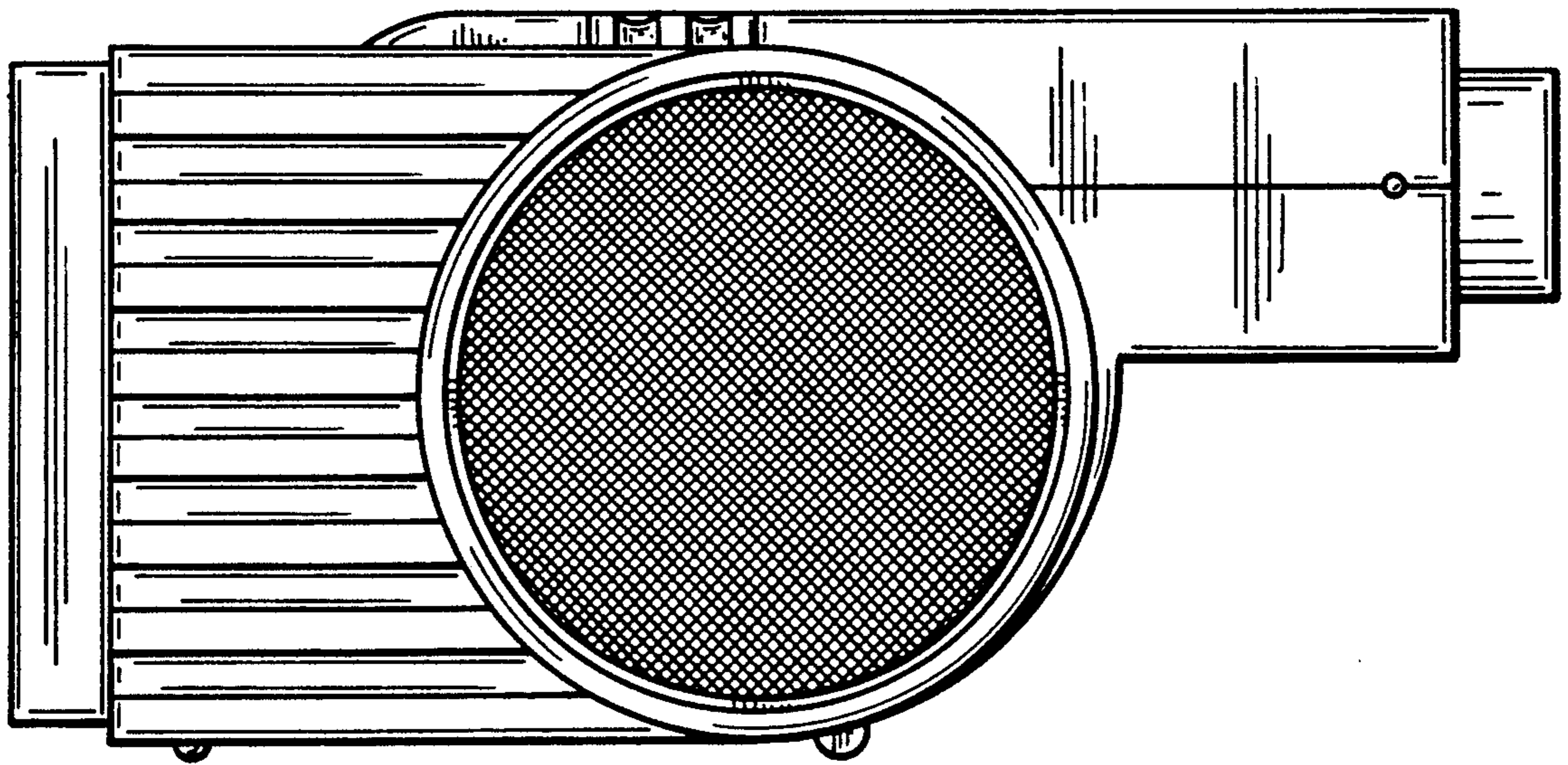
FIG_4



FIG_6



FIG_5



FIG_7