

[54] ANTI-GLARE EYEGLASSES OR SIMILAR ARTICLE

[76] Inventor: Gabe Cherian, 52 Amorok Way, Fremont, Calif. 94539

[**] Term: 14 Years

[21] Appl. No.: 192,873

[22] Filed: May 11, 1988

[52] U.S. Cl. D16/102

[58] Field of Search D16/101-123, D16/125-128; D29/17; 351/41, 44-47, 50-52, 57, 58, 65, 68, 83, 85, 87, 88, 90, 102, 103, 106-109; 2/9, 13, 15, 426, 431, 433, 435, 440, 448-451

[56] References Cited

U.S. PATENT DOCUMENTS

1,706,429	3/1929	Willard	351/45
2,146,544	2/1939	Kleine	D16/110 X
2,230,009	1/1941	Ordorica	351/45
2,358,602	9/1944	Snyder	D16/122 X
2,639,430	5/1953	Gale	351/45

2,699,093	1/1955	Auwarter	351/45
3,111,675	11/1963	Mora	2/12
3,254,932	6/1966	Blaney	351/44
4,828,380	5/1989	Cherian	351/44

FOREIGN PATENT DOCUMENTS

2543198	4/1977	Fed. Rep. of Germany	351/44
644652	6/1928	France	351/44
2560691	9/1985	France	351/44
281485	6/1952	Switzerland	351/45

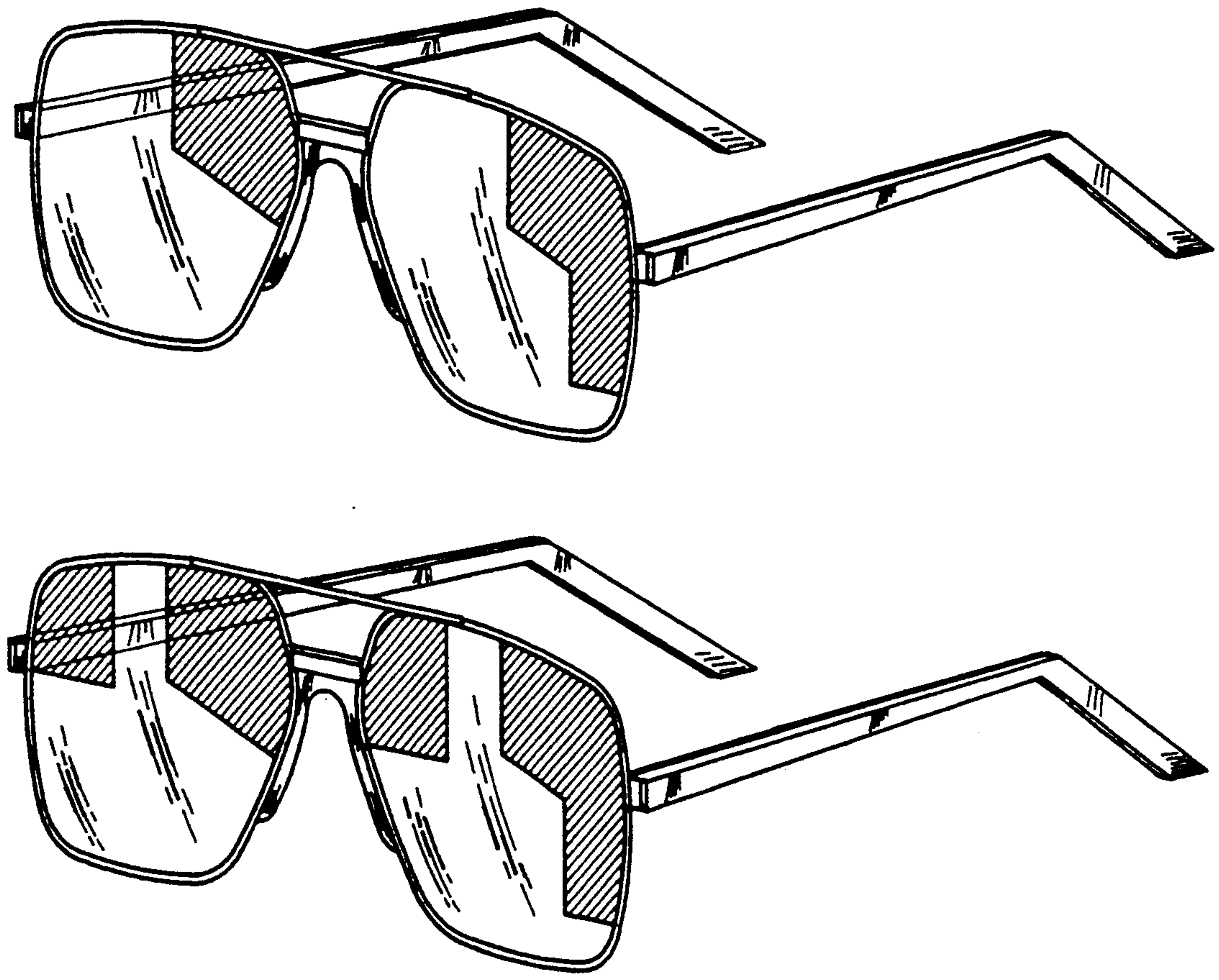
Primary Examiner—Carmen H. Vales-Lado

[57] CLAIM

The ornamental design for anti-glare eyeglasses or similar article, as shown and described.

DESCRIPTION

FIG. 1 is a side perspective view of the anti-glare eyeglasses or similar article showing my new design; FIG. 2 is a front elevational view thereof; FIG. 3 is a side perspective view of a modified form of the anti-glare eyeglasses or similar article shown in FIG. 1; and FIG. 4 is a front elevational view thereof.



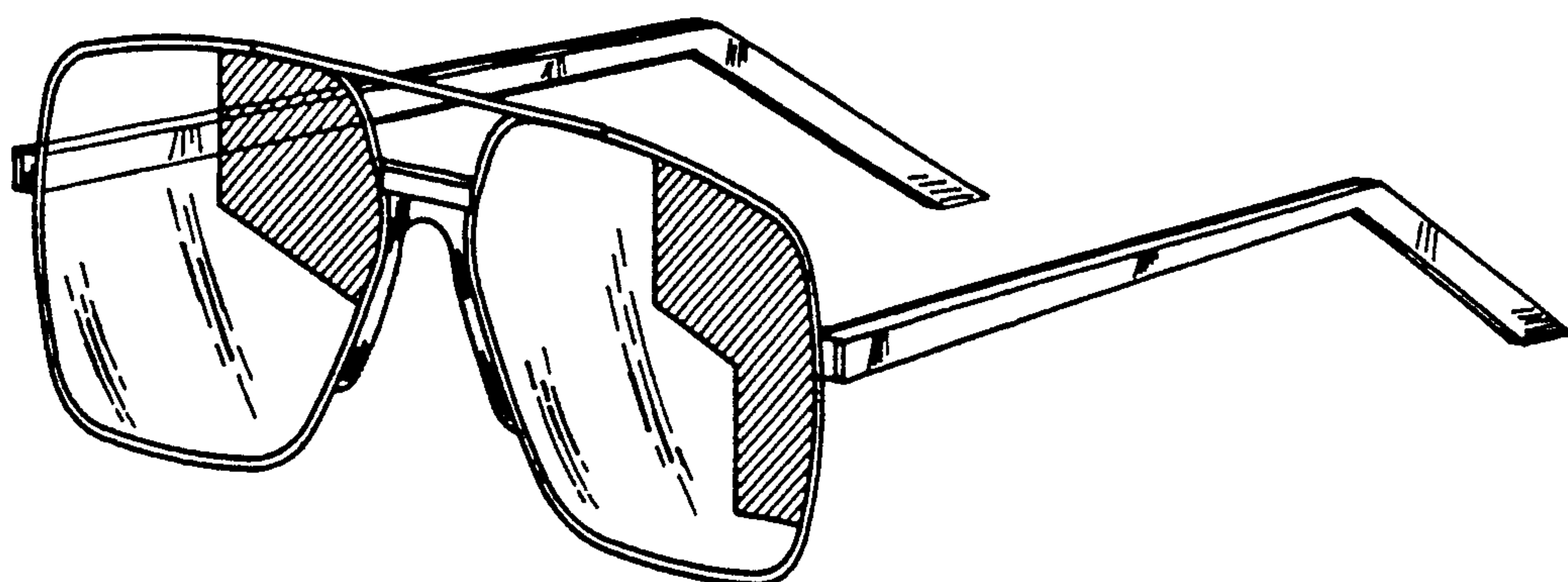


Fig. 1

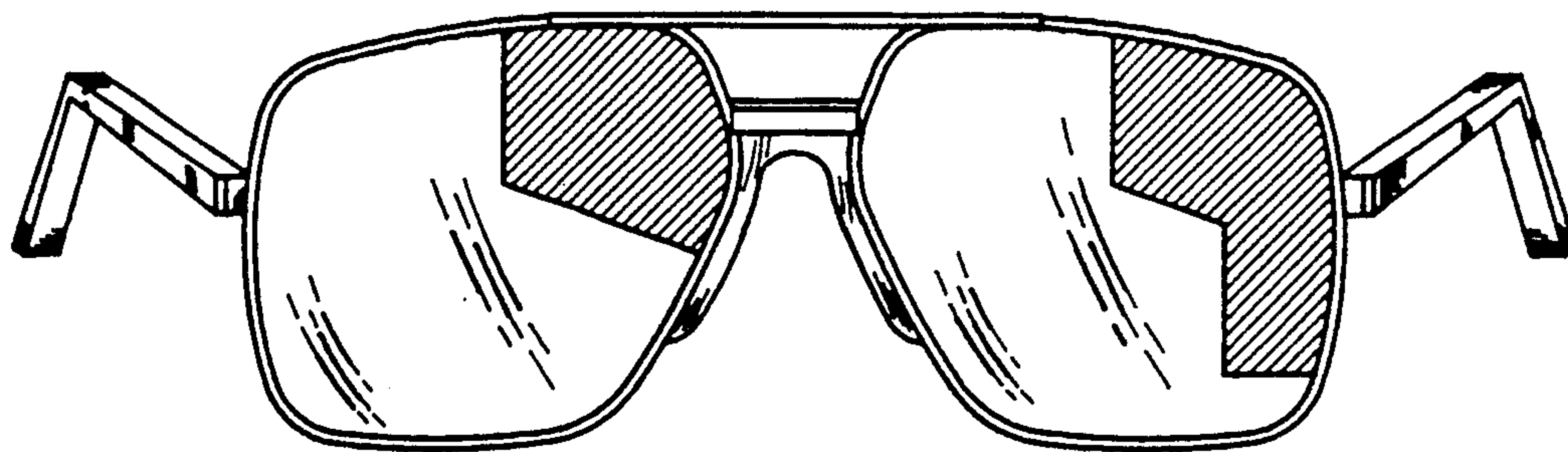


Fig. 2

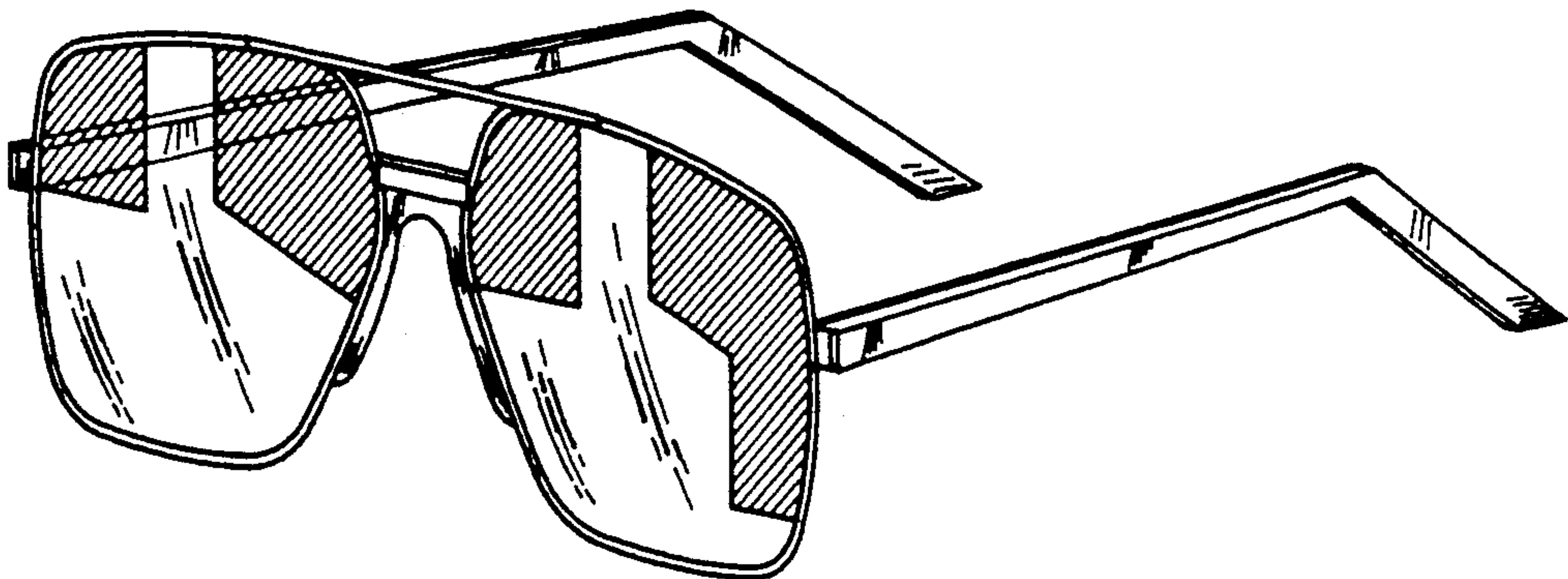


Fig. 3

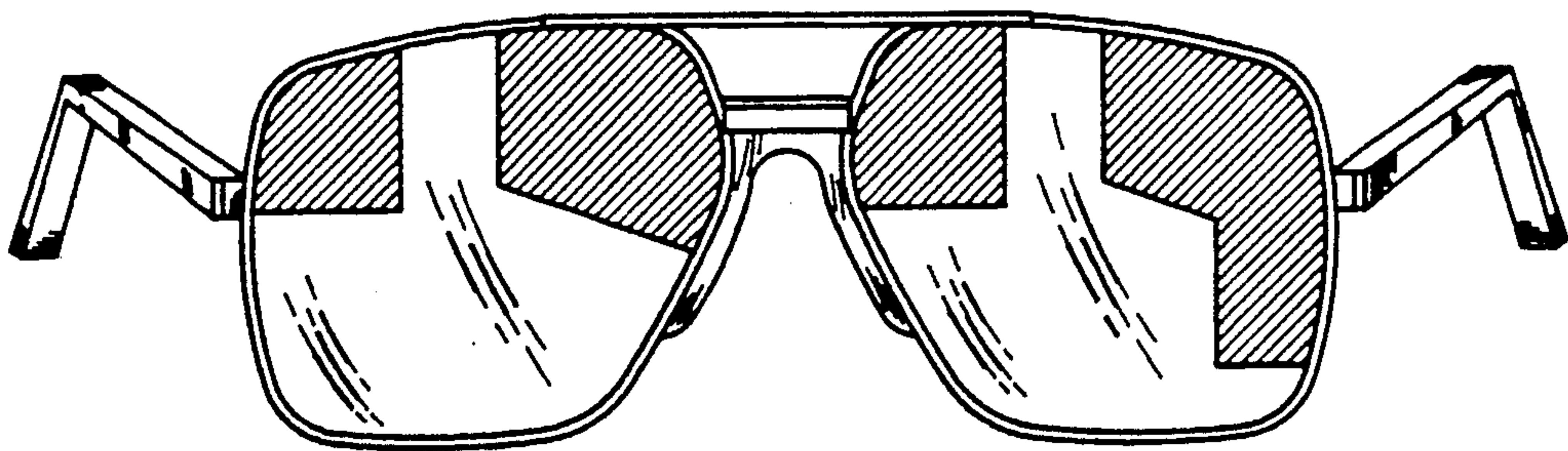


Fig. 4