

[54] COMBINATION PIPE AND TRANSMISSION ADAPTOR UNIT

[76] Inventor: Clayton D. Macomber, 9514-164th St. NE., Arlington, Wash. 98223

[\*\*] Term: 14 Years

[21] Appl. No.: 265,479

[22] Filed: Nov. 1, 1988

[52] U.S. Cl. .... D15/149

[58] Field of Search ..... 33/722, 730, 126.7 R; 116/227; 141/94, 95; 184/6.4, 6.12, 108, 1.5, 105.1; 74/606 R, 607; D15/148, 149, 199; D12/160

[56] References Cited

U.S. PATENT DOCUMENTS

- D. 228,090 8/1973 Kitson ..... D15/148
- D. 279,570 7/1985 Gentile ..... D15/149
- 2,688,102 8/1954 Jackson ..... 184/105.1 X
- 3,220,104 11/1965 Puidokas et al. .... 74/607 X

- 3,347,341 10/1967 Aurea ..... 184/108
- 4,221,138 9/1980 Stewart et al. .... 74/607
- 4,330,940 5/1982 Leitgeb ..... 33/126.7 R
- 4,333,358 6/1982 Grattapaglia ..... 74/606 R X
- 4,442,733 4/1984 Hartz ..... 74/606 R
- 4,499,391 2/1985 Sakamoto ..... 74/606 R X
- 4,677,876 7/1987 Dissett ..... 74/607 X

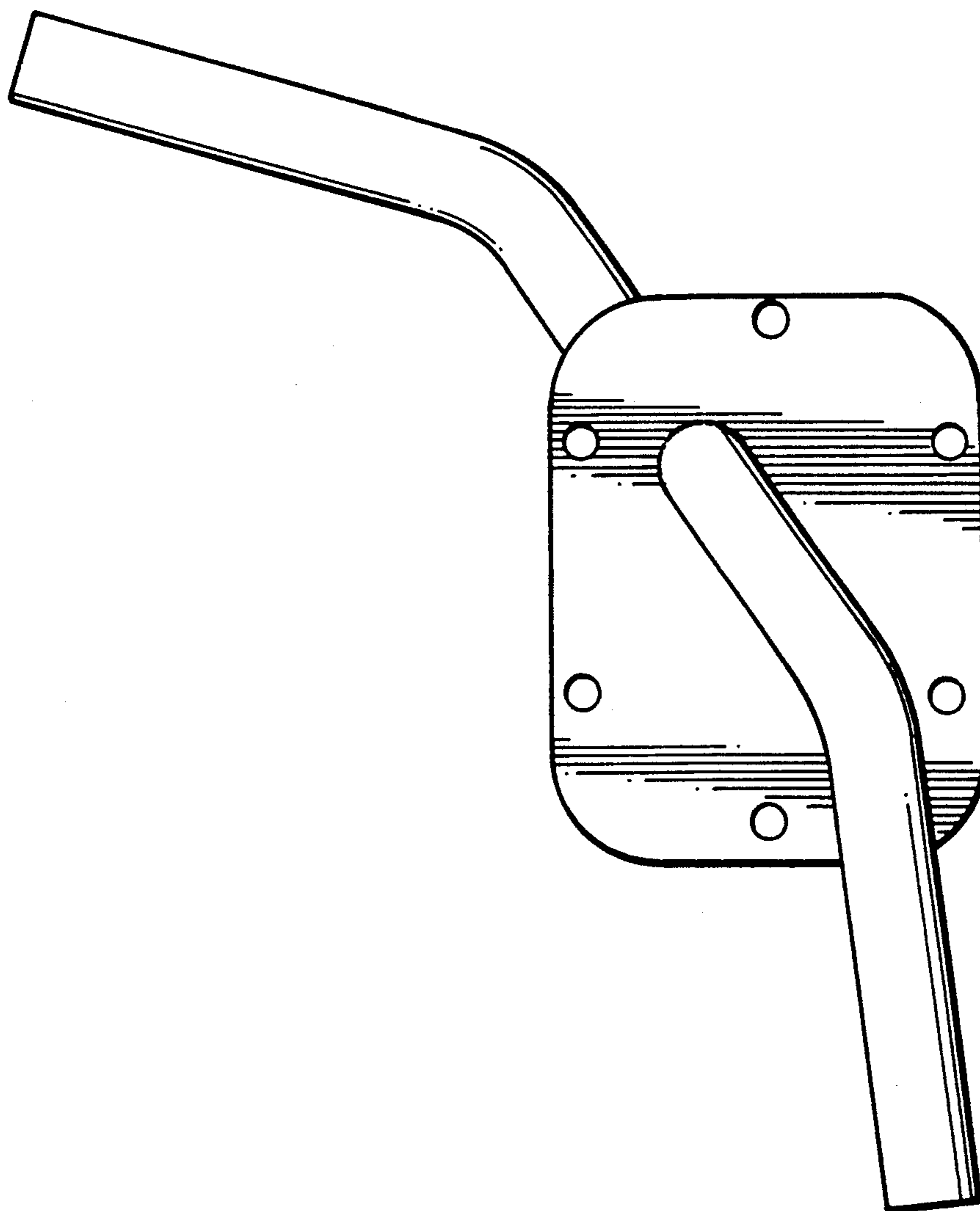
Primary Examiner—Bruce W. Dunkins  
Assistant Examiner—Jeffrey Asch  
Attorney, Agent, or Firm—T. W. Secrest

[57] CLAIM

The ornamental design for a combination pipe and transmission adaptor unit, as shown and described.

DESCRIPTION

FIG. 1 is a rear elevational view of a combination pipe and transmission adaptor unit showing my new design; FIG. 2 is a front elevational view on an enlarged scale; FIG. 3 is a right side elevational view; FIG. 4 is a top plan view; and, FIG. 5 is a bottom plan view thereof.



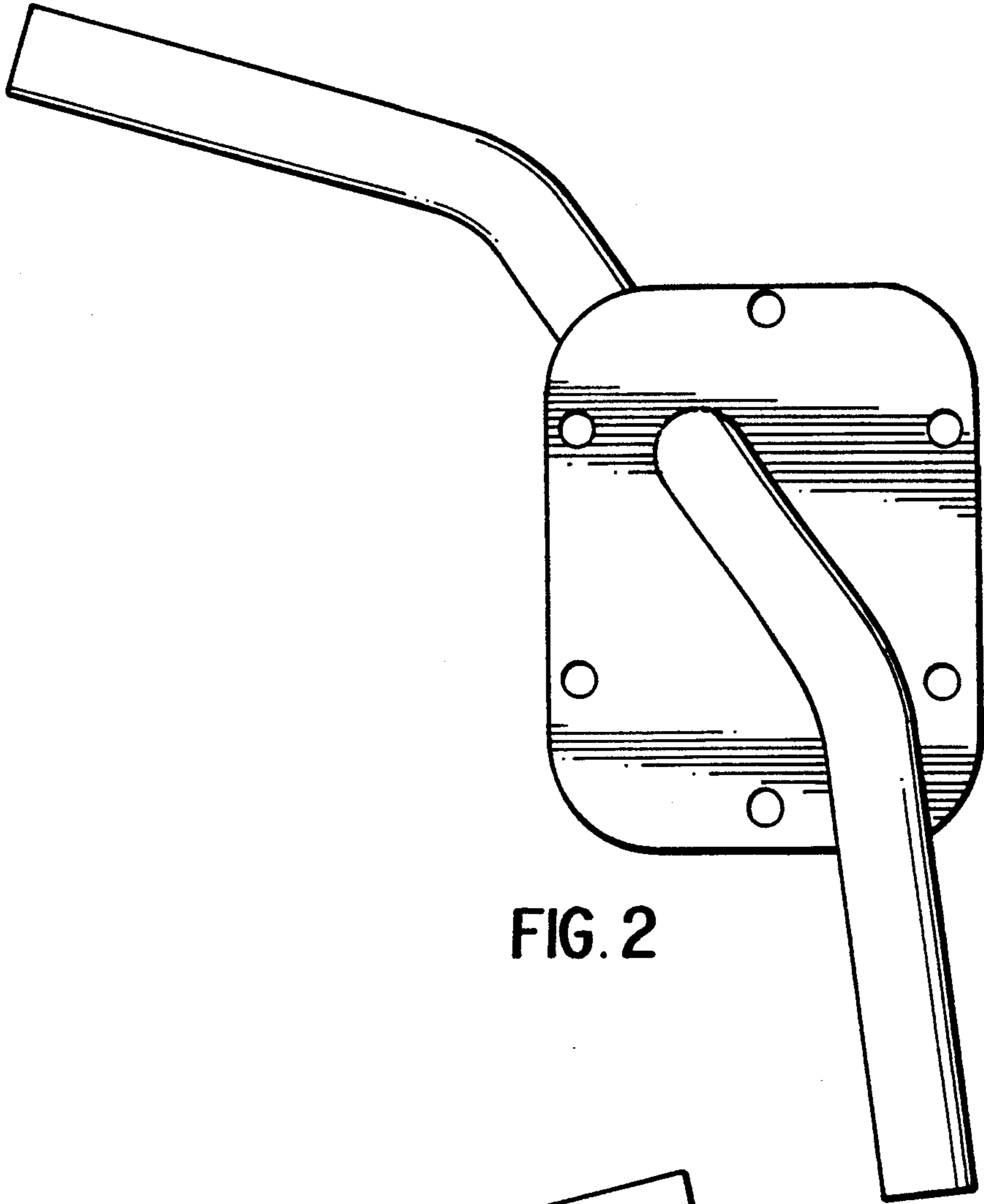


FIG. 2

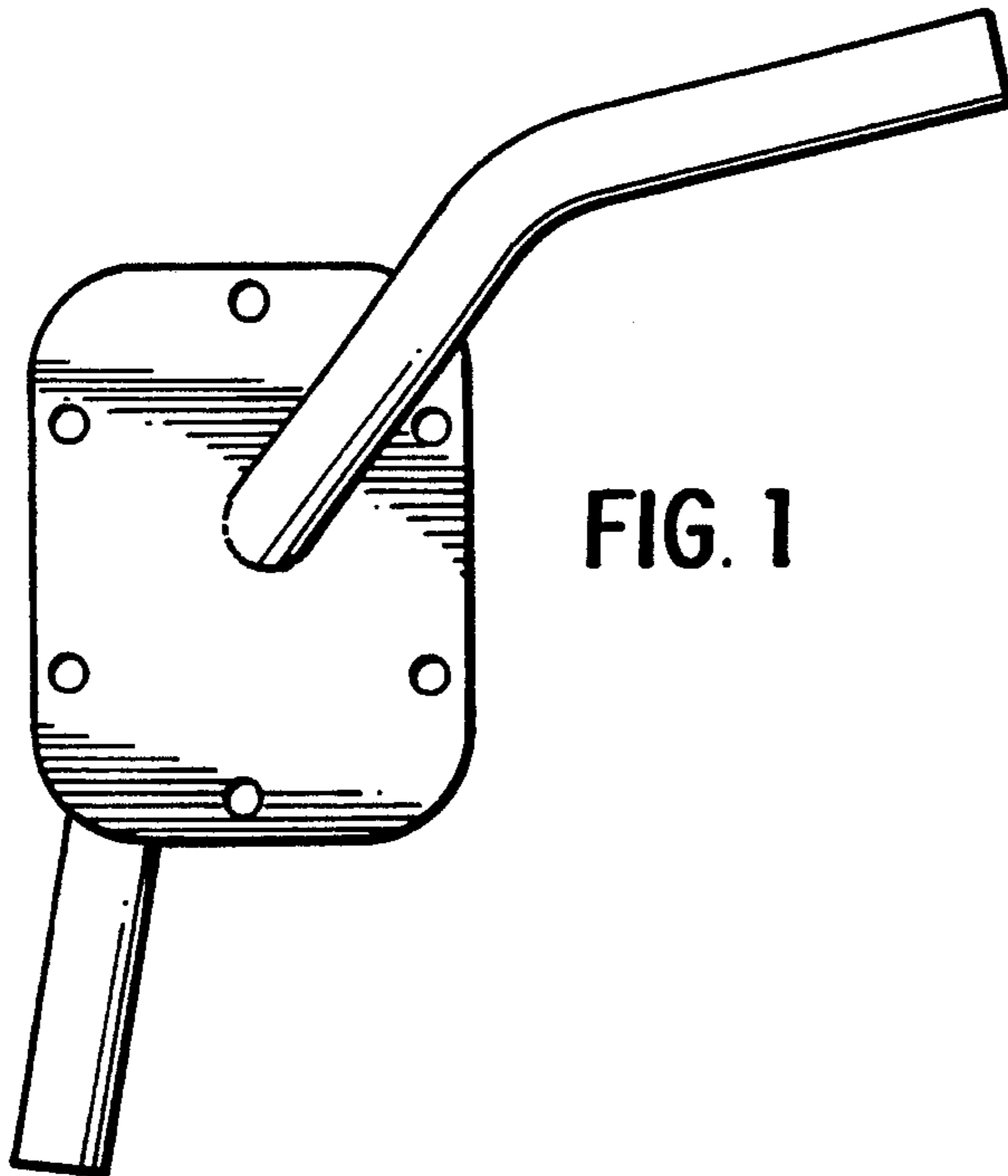


FIG. 1

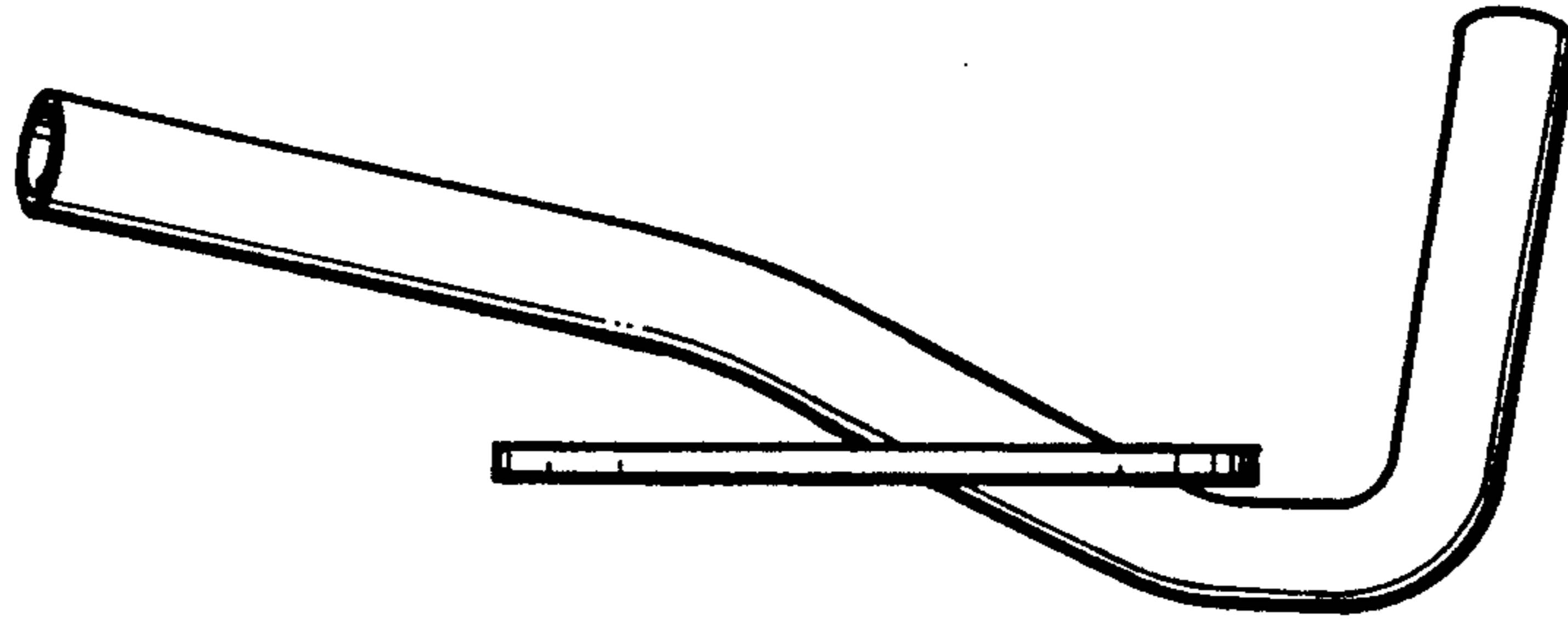


FIG. 3

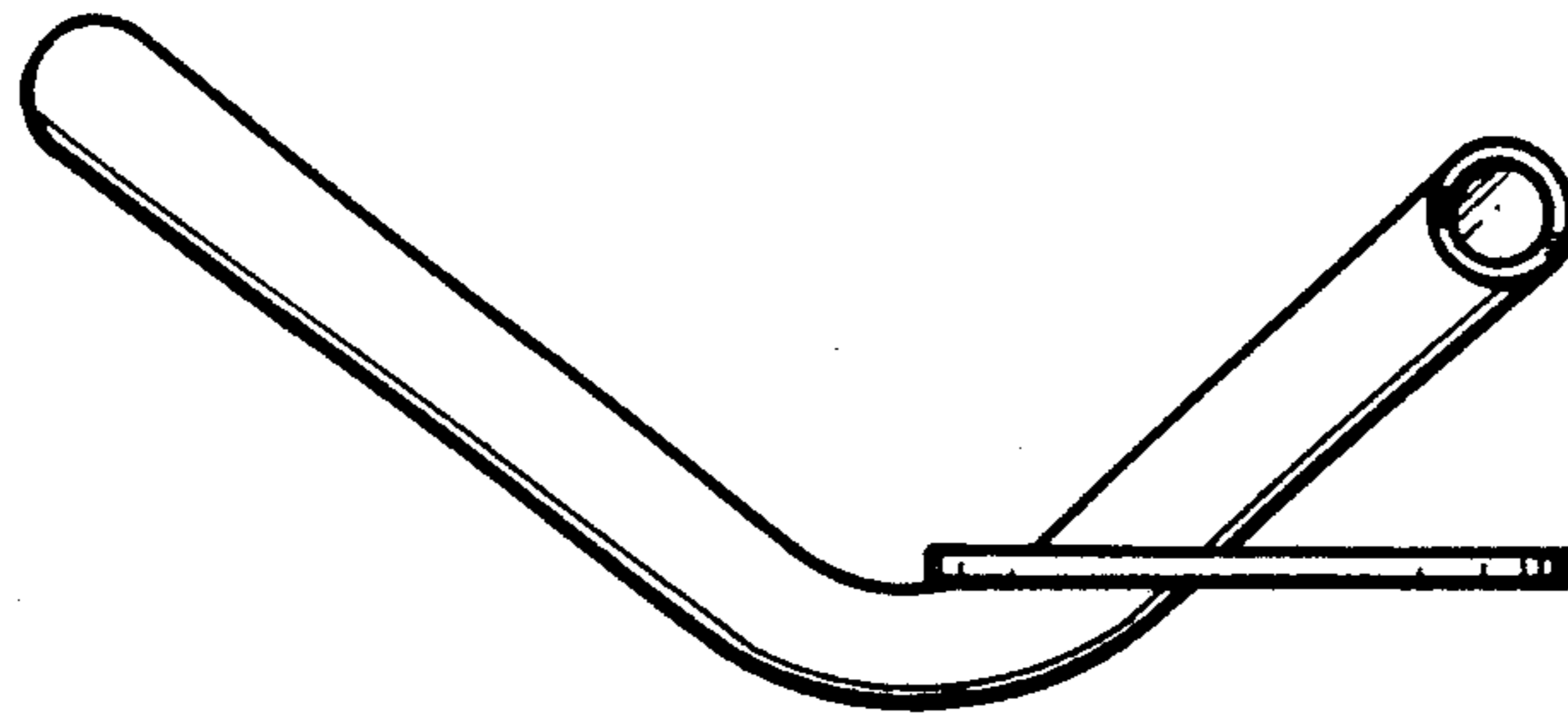


FIG. 4

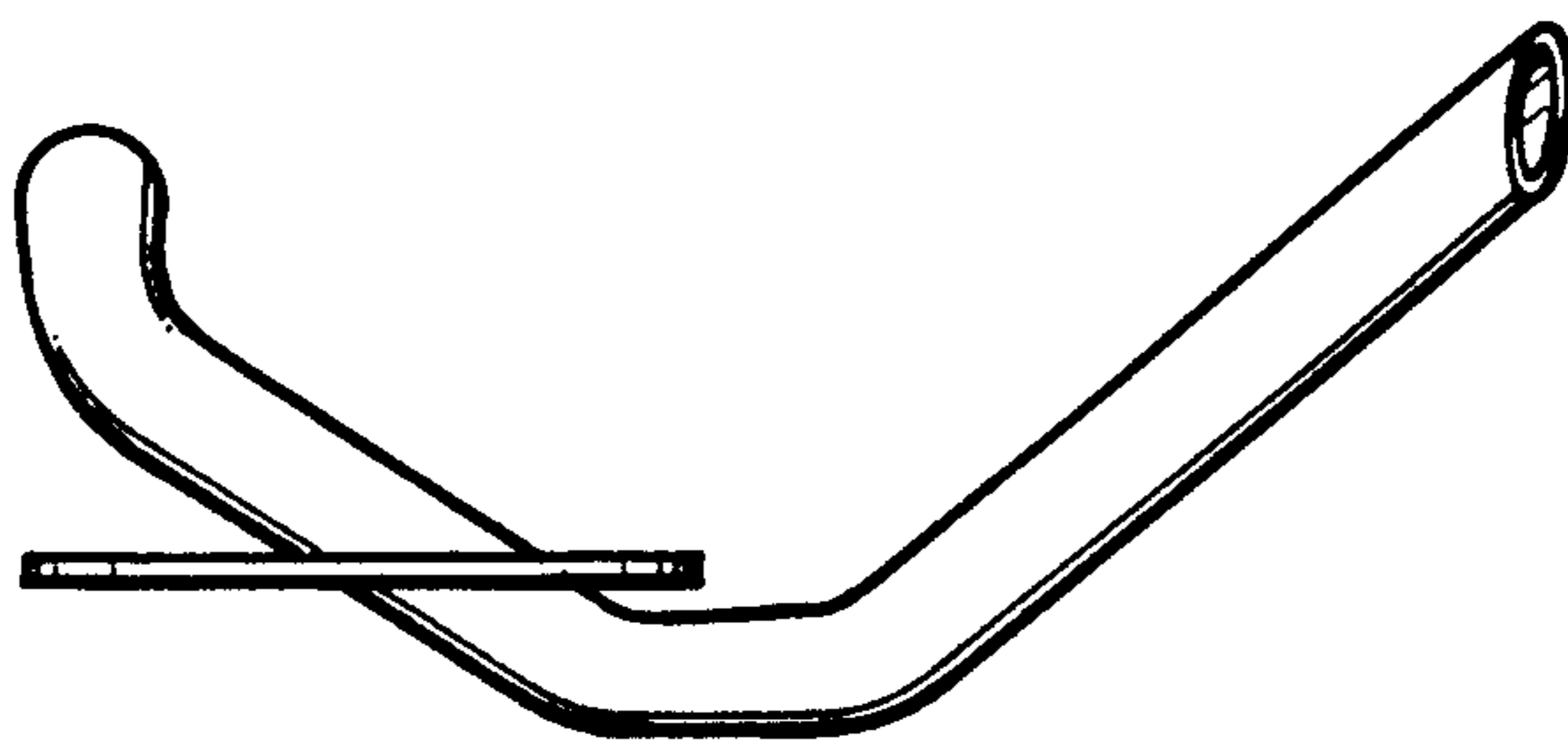


FIG. 5