

[54] SEWING MACHINE

4,718,364 1/1988 Kessler 112/259

[75] Inventor: Koji Uchida, Tokyo, Japan

[73] Assignee: Janome Sewing Machine Co. Ltd., Tokyo, Japan

[**] Term: 14 Years

[21] Appl. No.: 398,045

[22] Filed: Aug. 23, 1989

[30] Foreign Application Priority Data

Jul. 12, 1989 [JP] Japan 1-25575
[52] U.S. Cl. D15/69
[58] Field of Search D15/66-76;
112/199, 217.1-217.4, 258-261, 262.1

[56] References Cited

U.S. PATENT DOCUMENTS

D. 305,237 12/1989 Kuroki D15/69
D. 309,739 8/1990 Itoh et al. D15/69

OTHER PUBLICATIONS

Vogue Pattern, 9-10 1984, p. 19 Juki America Sewing Machine.

Primary Examiner—B. J. Bullock
Assistant Examiner—Sandra Morris
Attorney, Agent, or Firm—Michael J. Striker

[57] CLAIM

The ornamental design for a sewing machine, as shown and described.

DESCRIPTION

FIG. 1 is a front elevational view of a sewing machine, showing my new design;
FIG. 2 is a rear elevational view thereof;
FIG. 3 is a top plan view thereof;
FIG. 4 is a bottom plan view thereof;
FIG. 5 is right side elevational view thereof;
FIG. 6 is a left side elevational view thereof;
FIG. 7 is a reduced perspective view thereof.

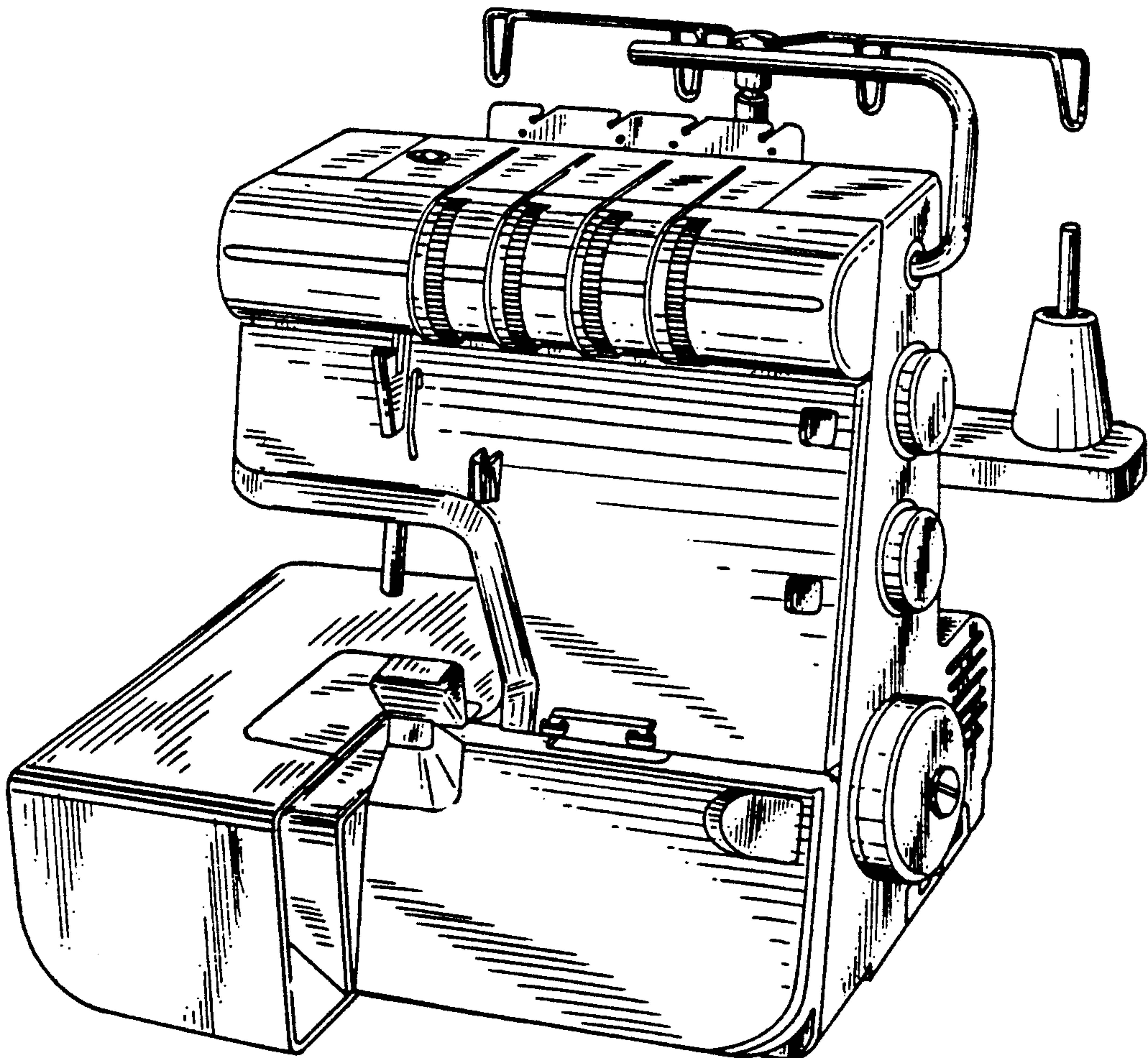


FIG. 1

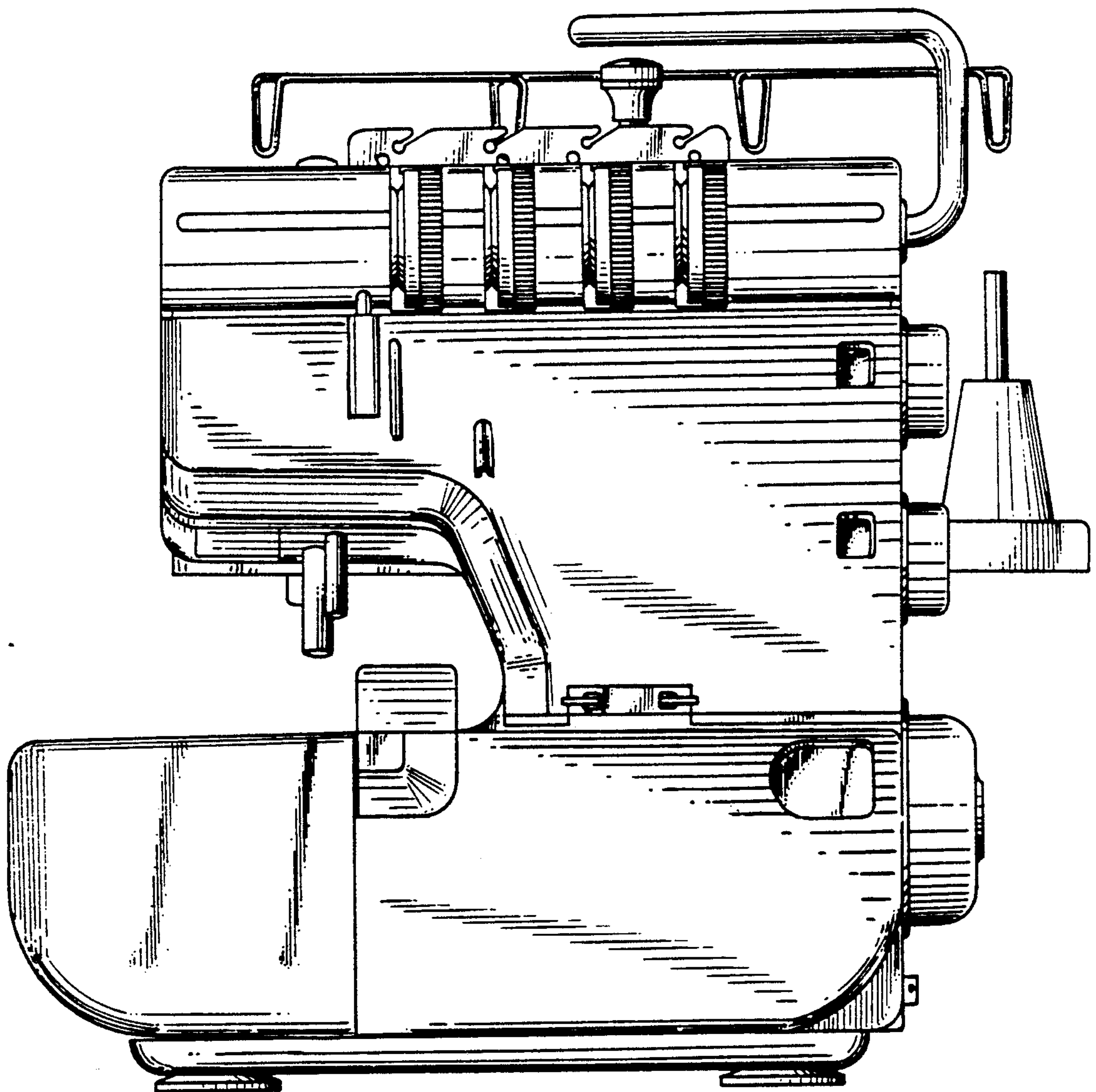


FIG. 2

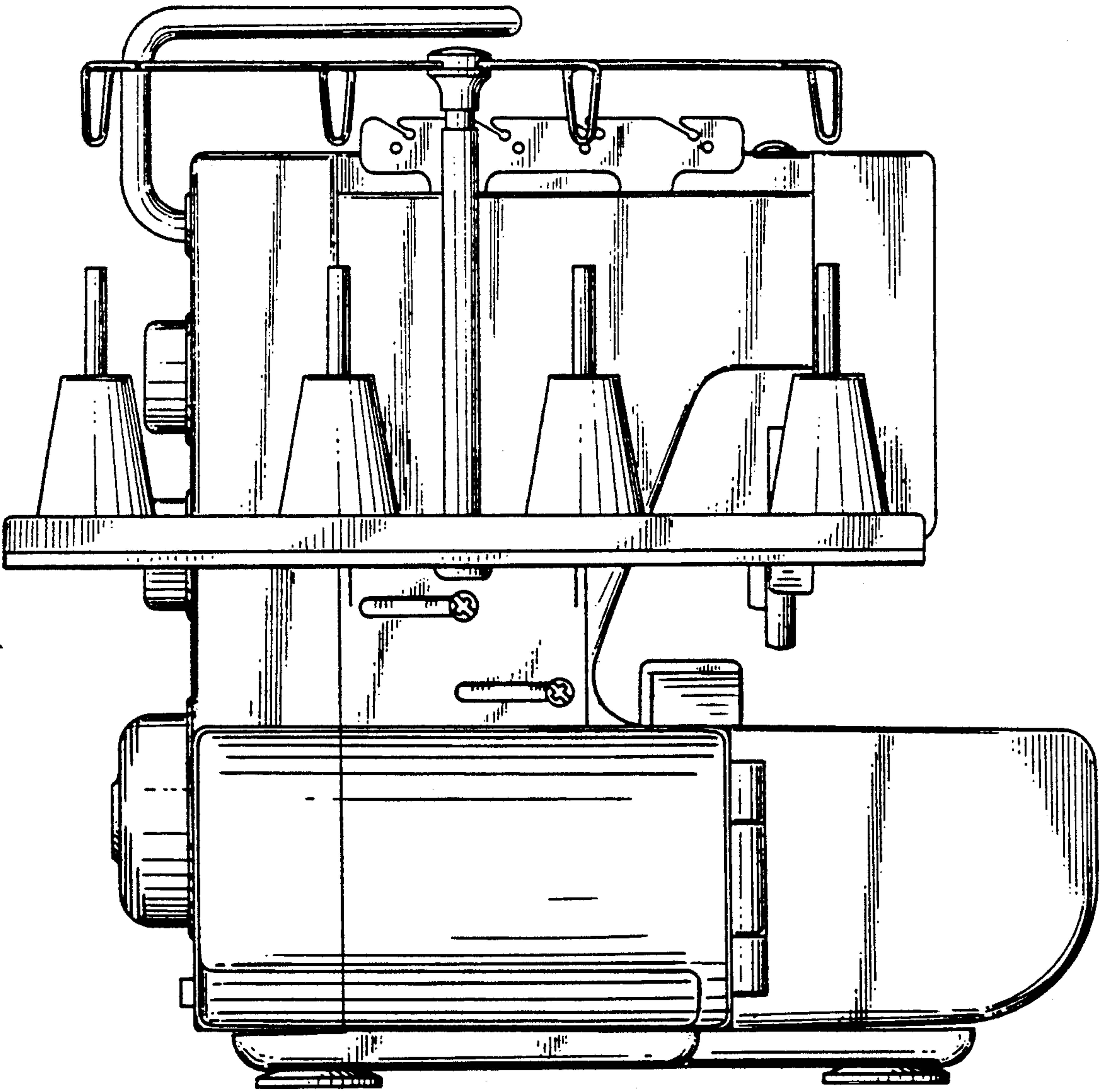
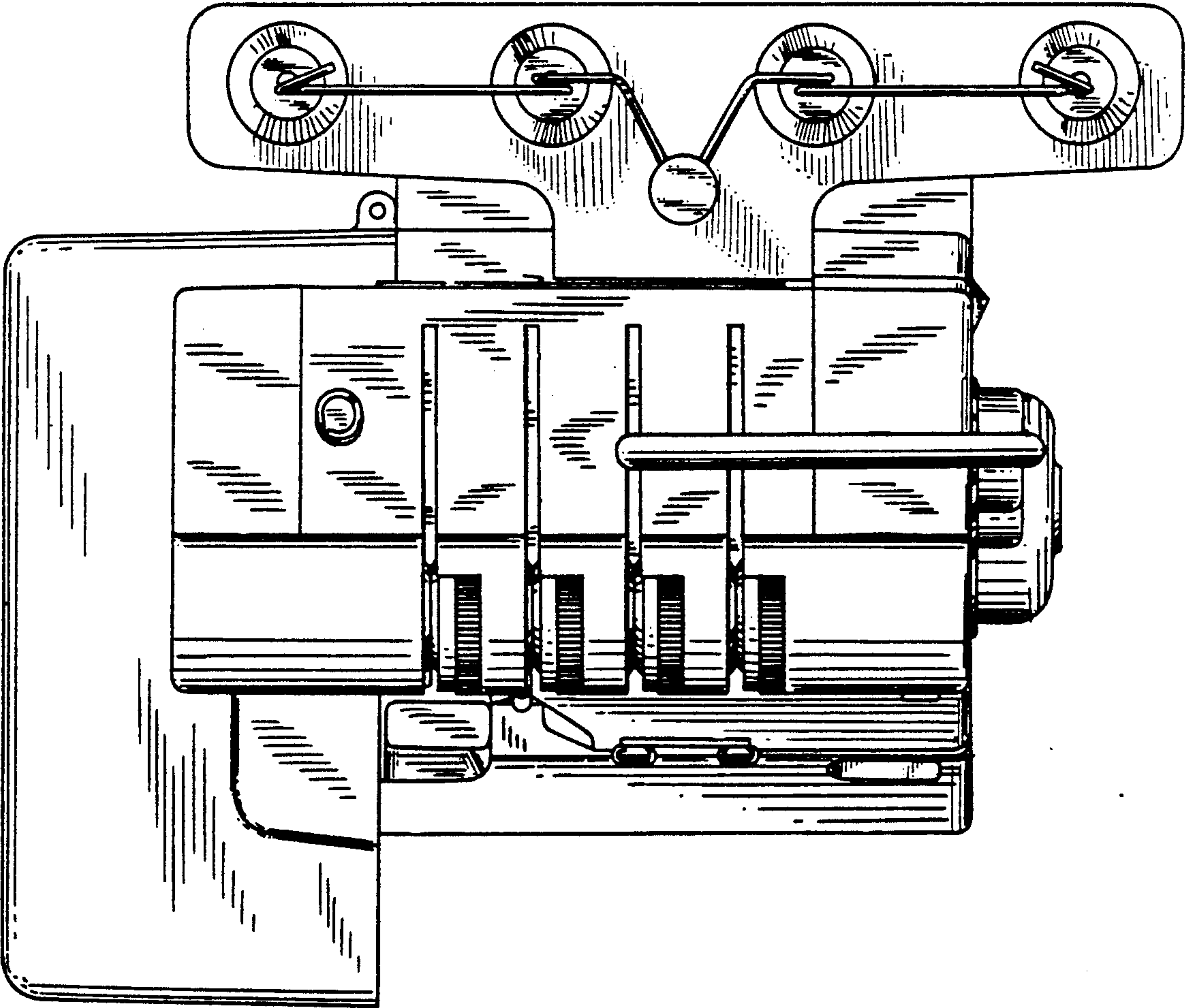


FIG. 3



FIG_4

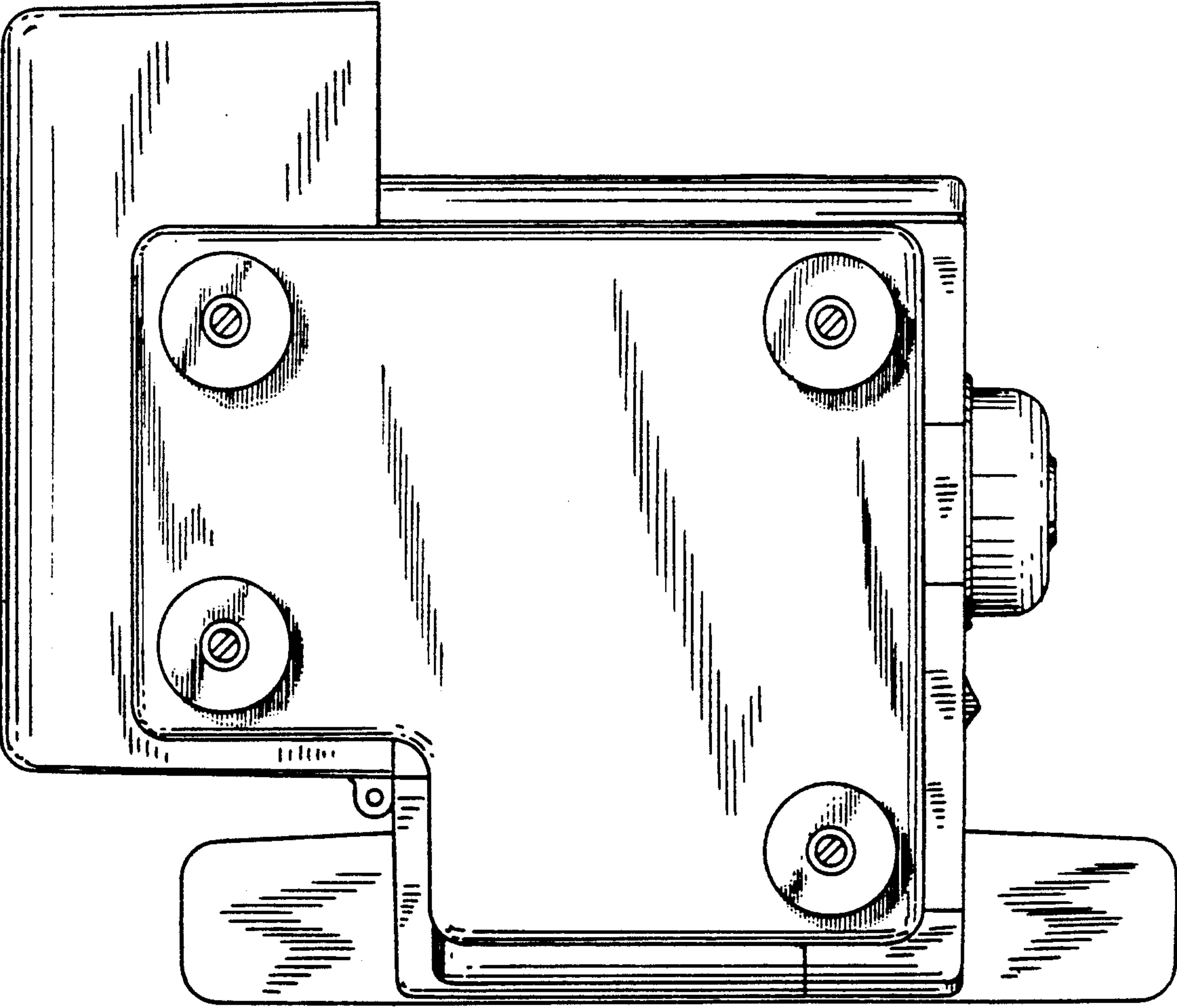


FIG. 5

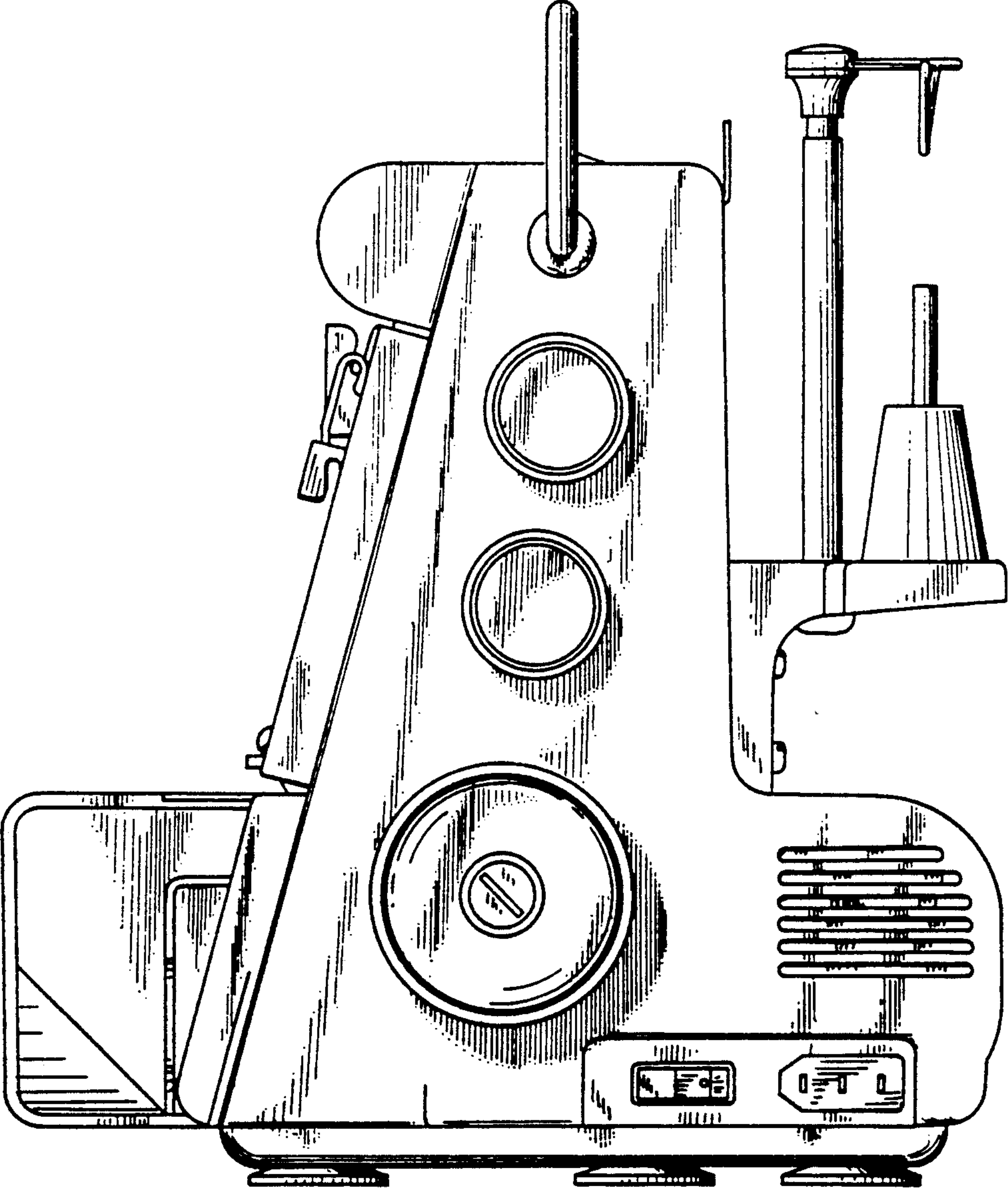


FIG. 6

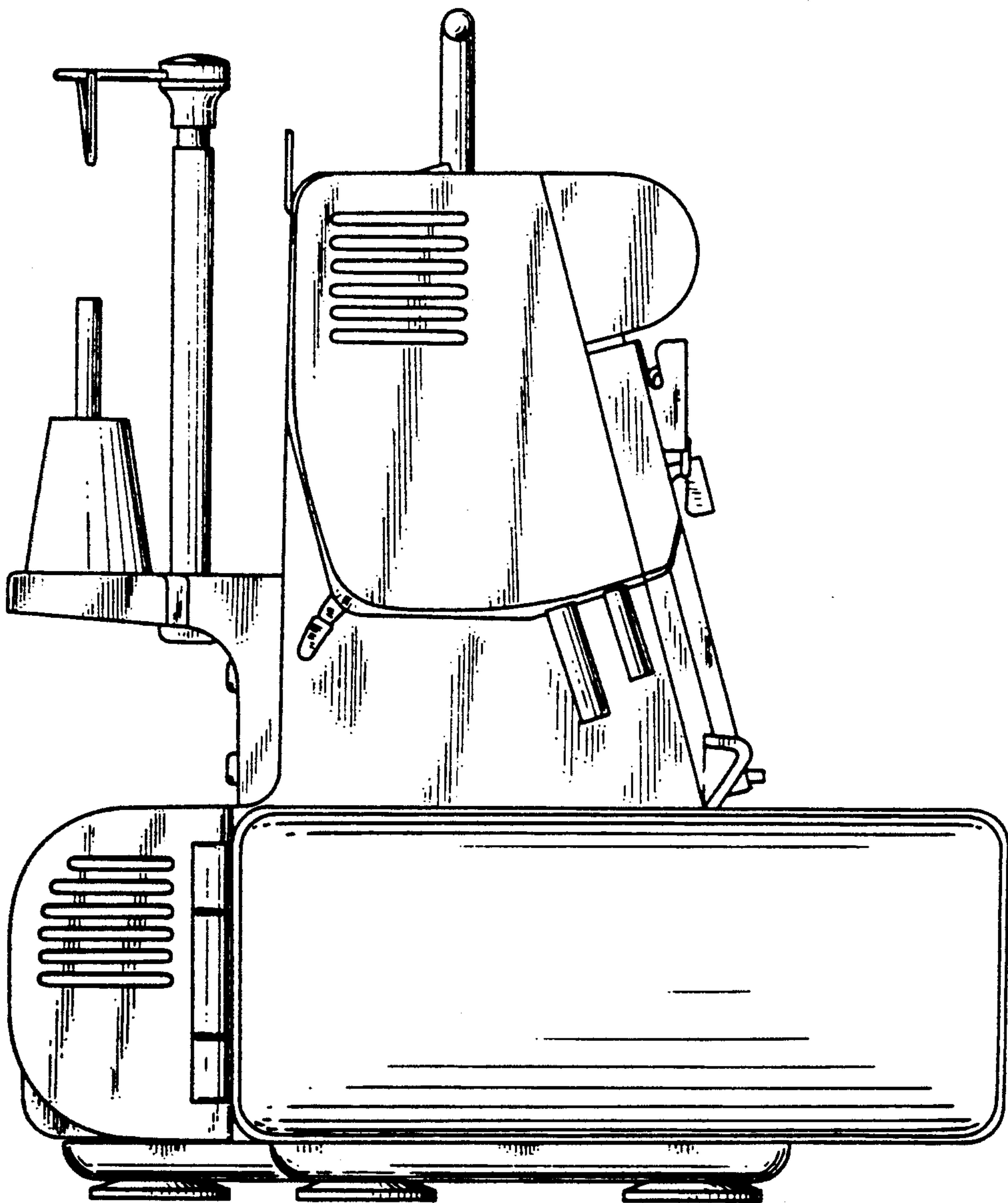


FIG. 7

