

[54] **AGRICULTURAL TRACTOR CAB**

[75] Inventors: **Hisato Katoh; Hiroyuki Miki**, both of Sakai, Japan

[73] Assignee: **Kubota, Ltd.**, Osaka, Japan

[**] Term: **14 Years**

[21] Appl. No.: **344,943**

[22] Filed: **Apr. 28, 1989**

3,802,530 4/1974 Purcell et al. 296/190
 4,772,065 9/1988 Nakata et al. 296/190

Primary Examiner—Bernard Ansher
Assistant Examiner—Sandra Morris
Attorney, Agent, or Firm—Edwin E. Greigg; Ronald E. Greigg

[30] **Foreign Application Priority Data**
 Nov. 7, 1988 [DE] Fed. Rep. of Germany 63-43654

[52] **U.S. Cl.** **D15/30**

[58] **Field of Search** **D15/10, 22-26;**
 180/89.12, 89.13, 89.19, 900; 296/190, 202

[57] **CLAIM**
 The ornamental design for an agricultural tractor cab, as shown and described.

[56] **References Cited**
U.S. PATENT DOCUMENTS

D. 250,114 10/1978 Segales D15/30
 D. 259,424 6/1981 Puig D15/30
 D. 267,486 1/1983 Martin D15/30
 D. 306,450 3/1990 Funabashi et al. D15/30

DESCRIPTION

FIG. 1 is a front elevational view of an agricultural tractor cabin showing our new design;
 FIG. 2 is a rear elevational view thereof;
 FIG. 3 is a bottom plan view thereof;
 FIG. 4 is a top plan view thereof;
 FIG. 5 is a right side elevational view thereof;
 FIG. 6 is an enlarged right side sectional view thereof, taken on line 6—6 in FIG. 1;
 FIG. 7 is an enlarged rear elevational view thereof, taken on line 7—7 in FIG. 1;
 FIG. 8 is a right side elevational view thereof, the sun-roof and rear window shown in an open position.

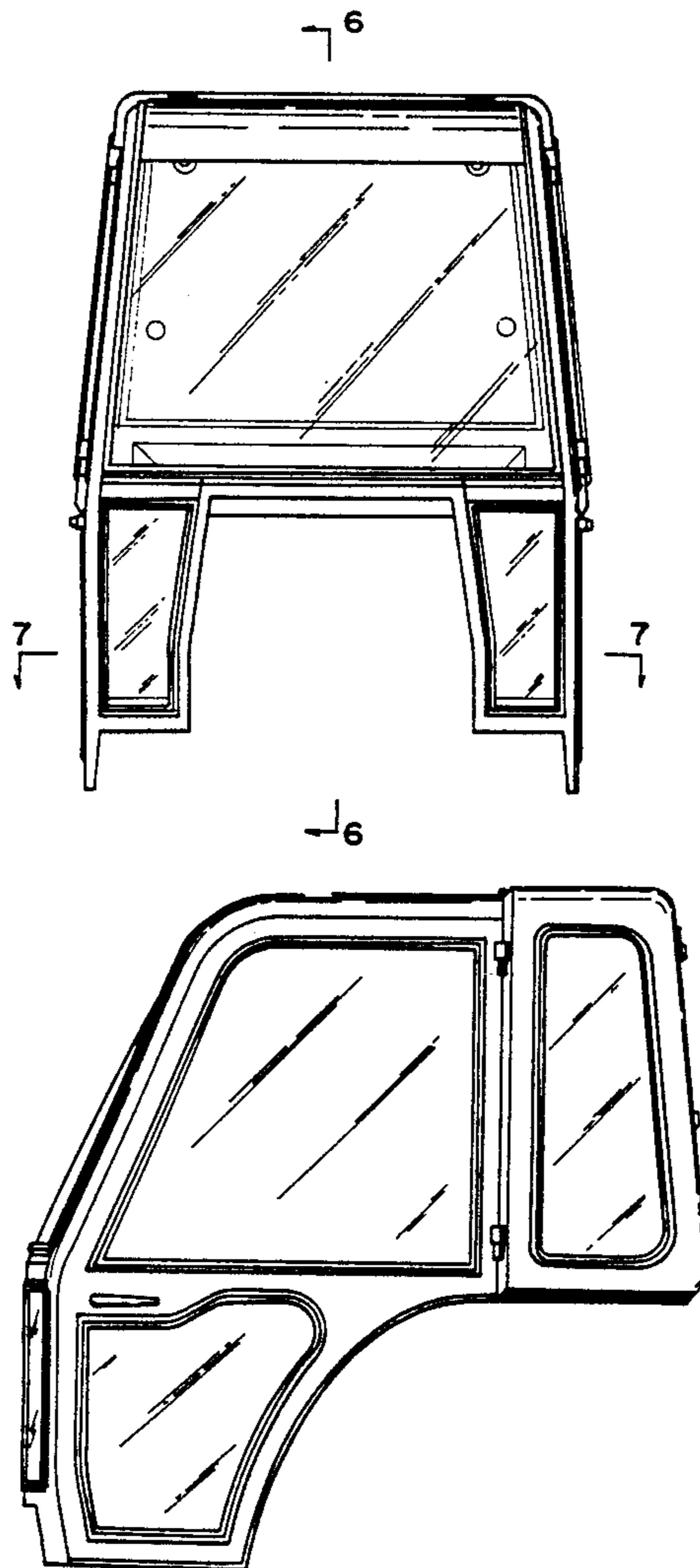


FIG. 1

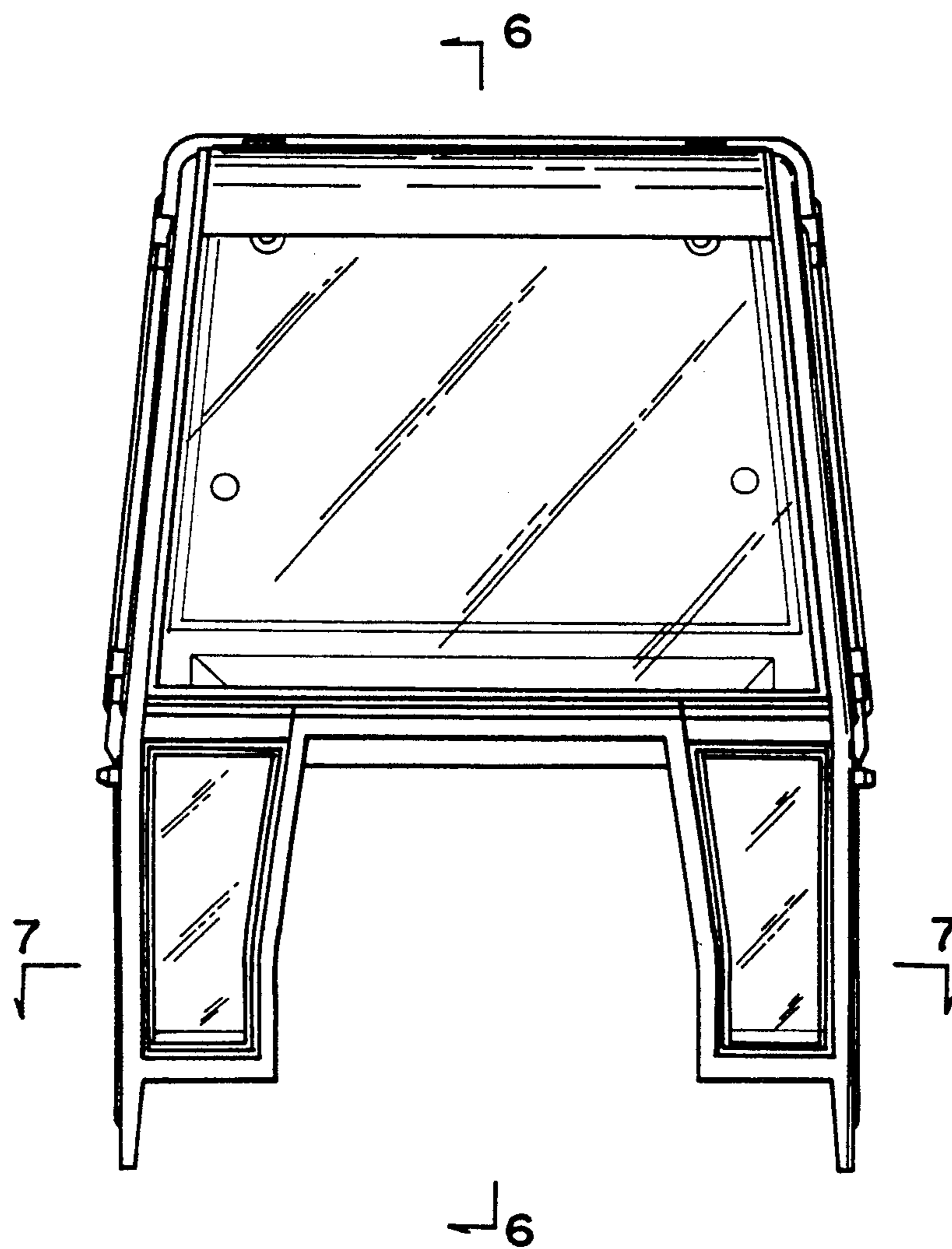


FIG. 2

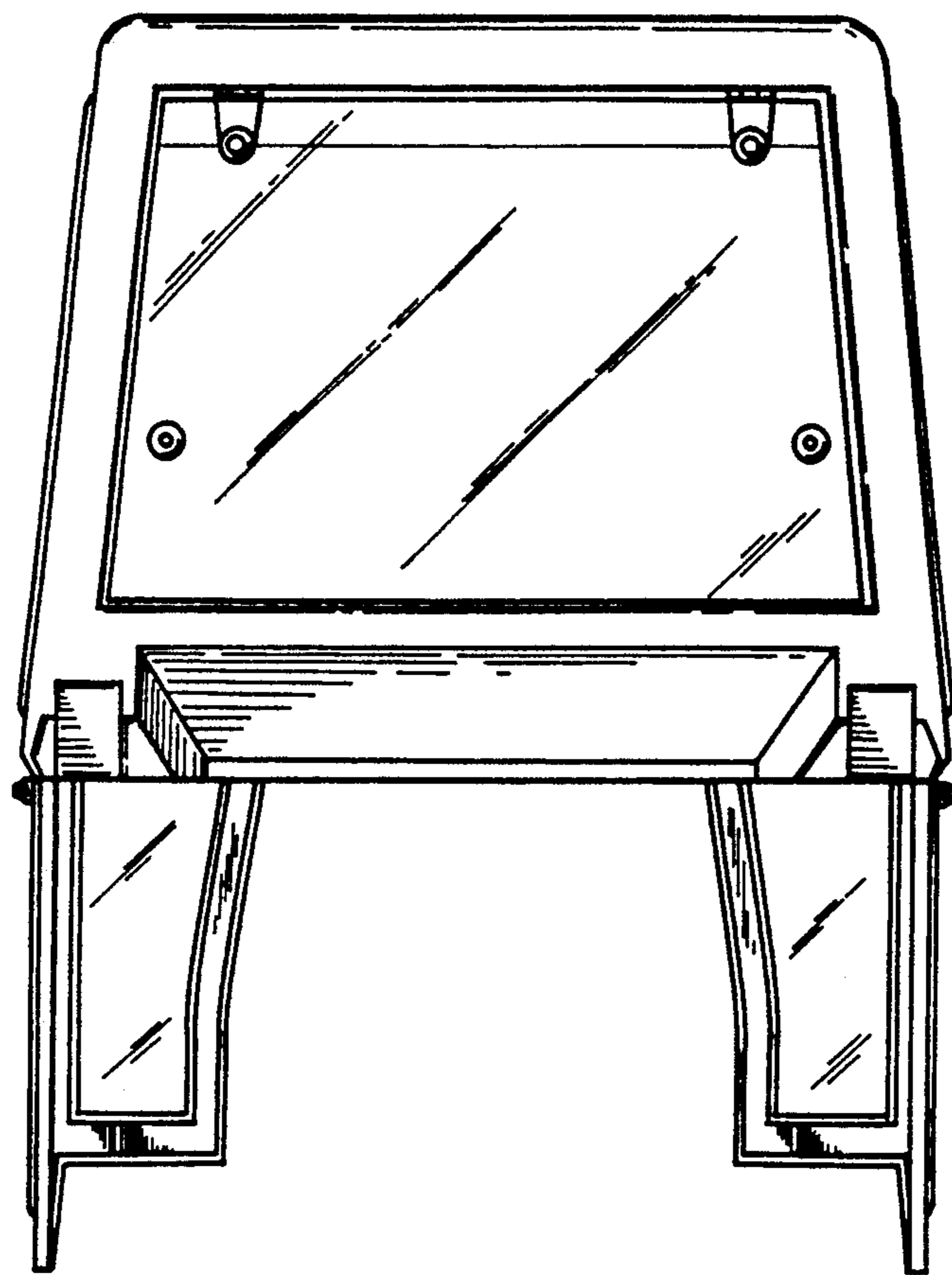


FIG. 3

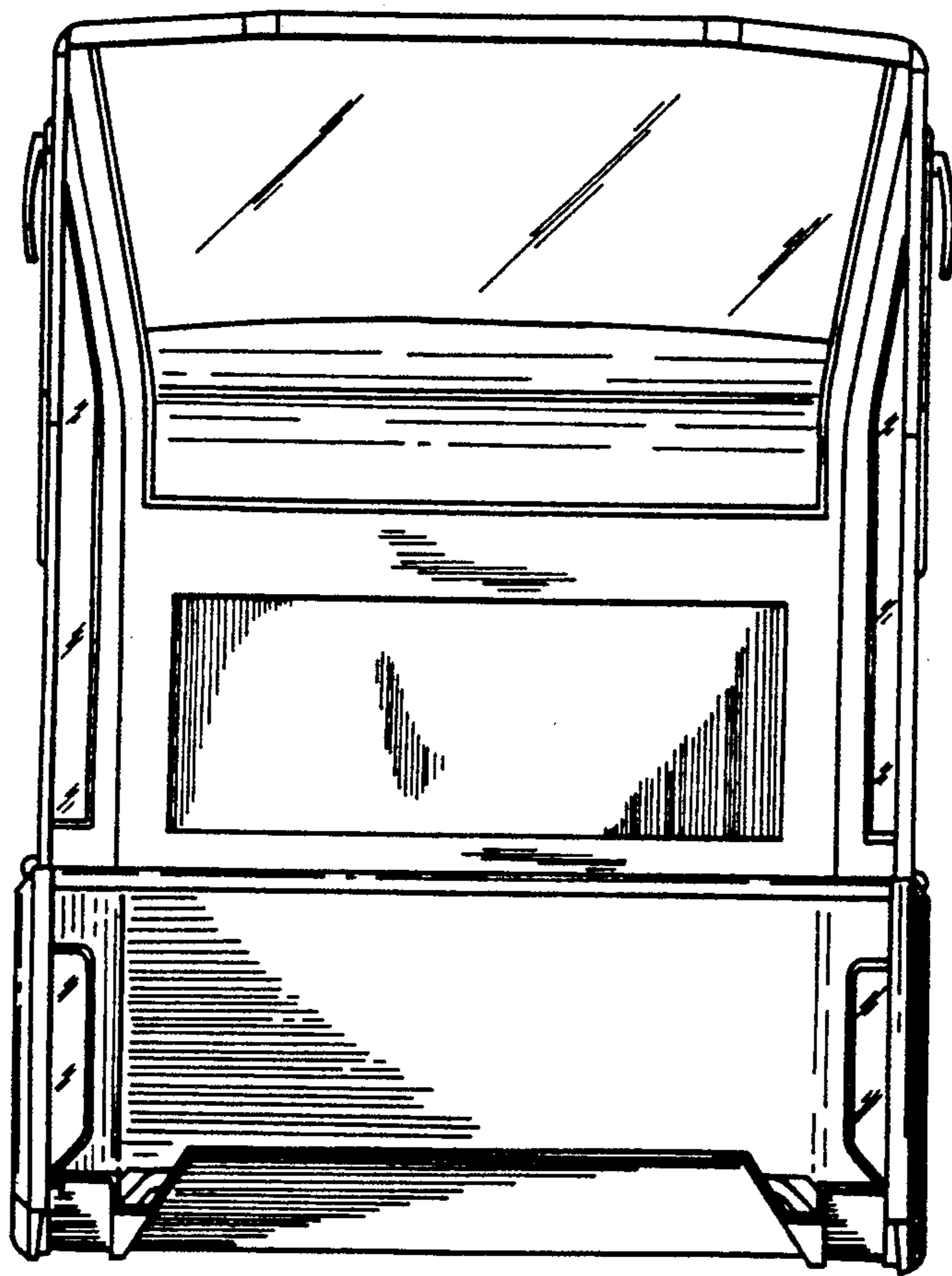


FIG. 4

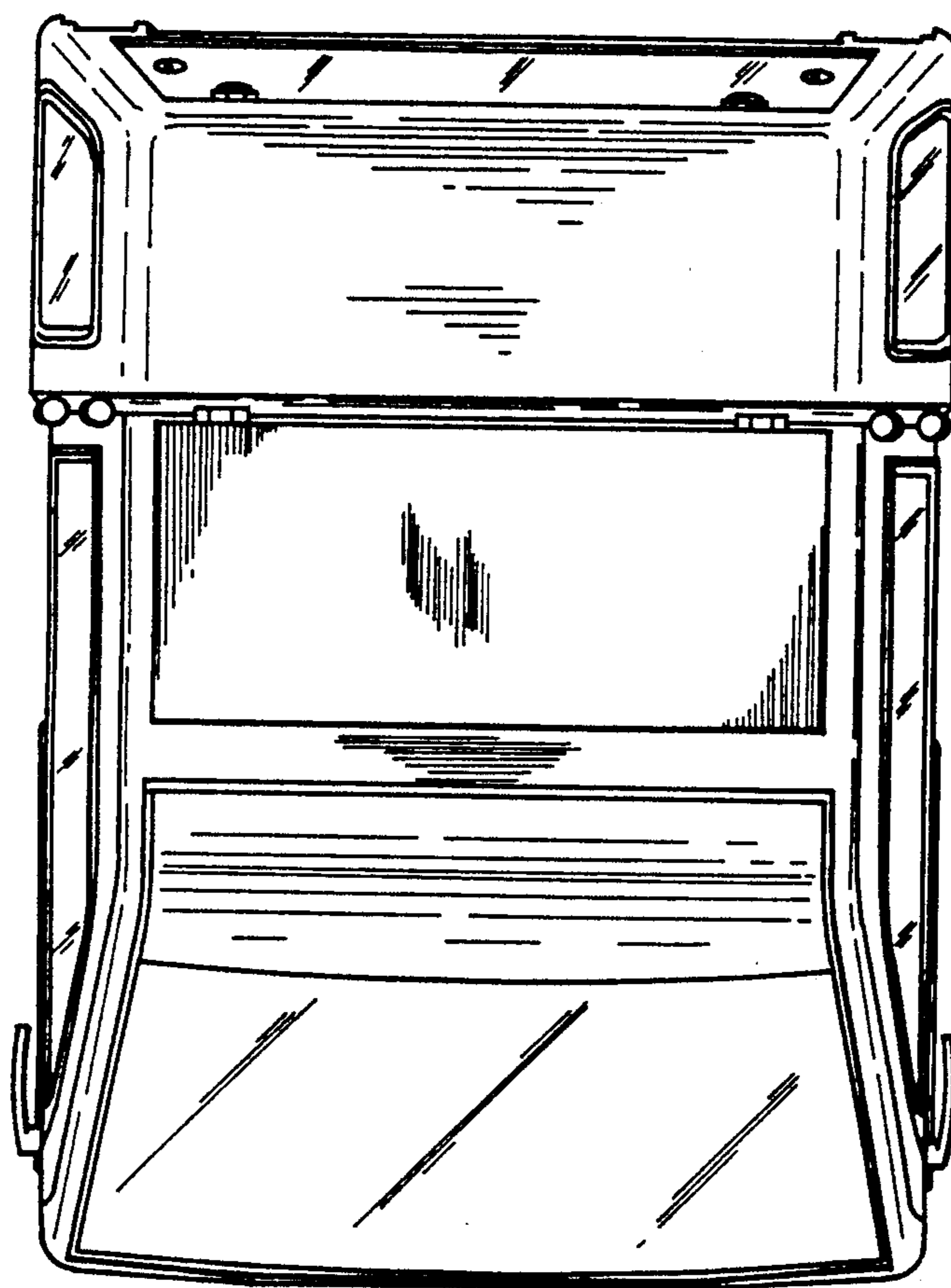
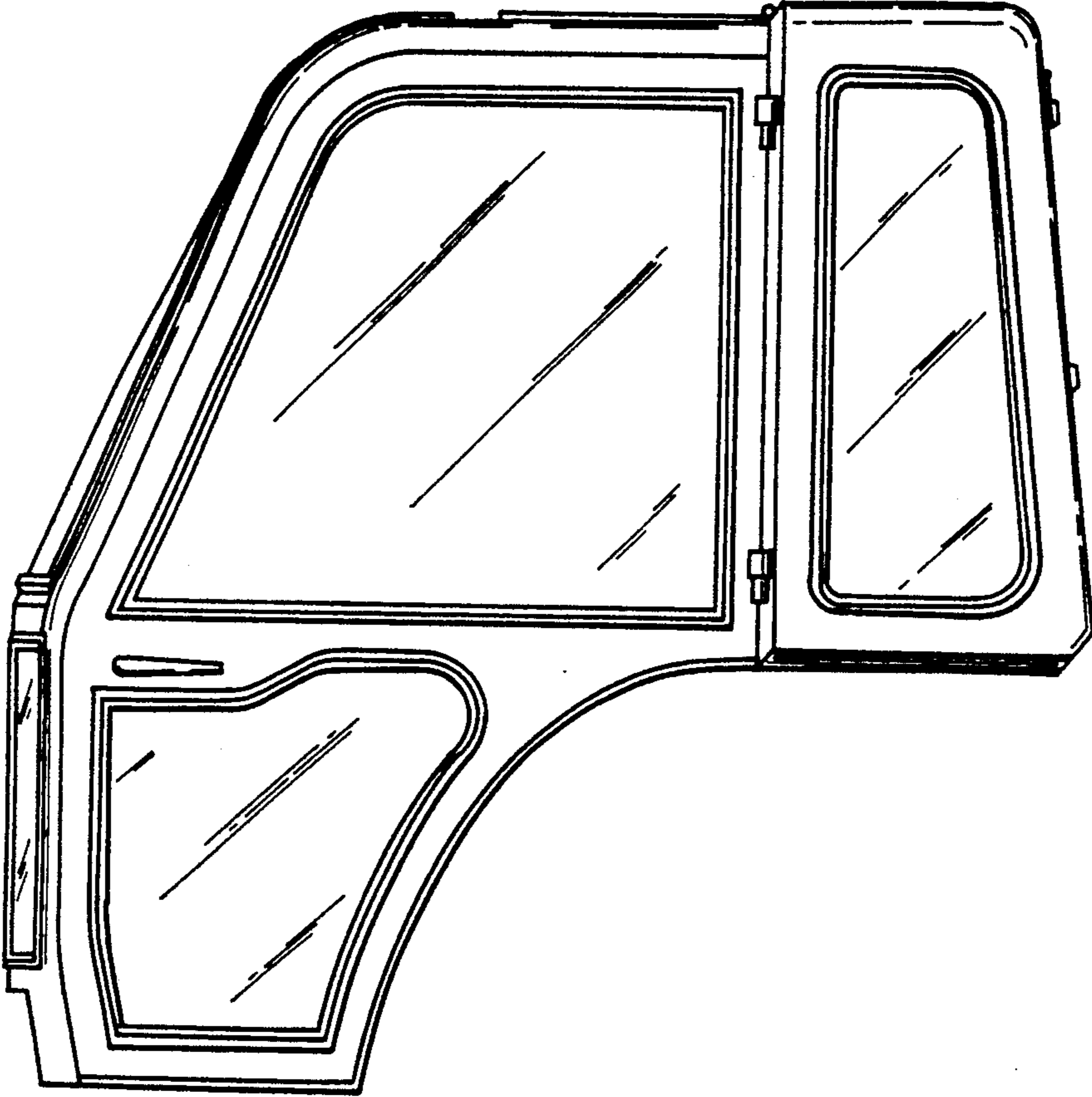


FIG. 5



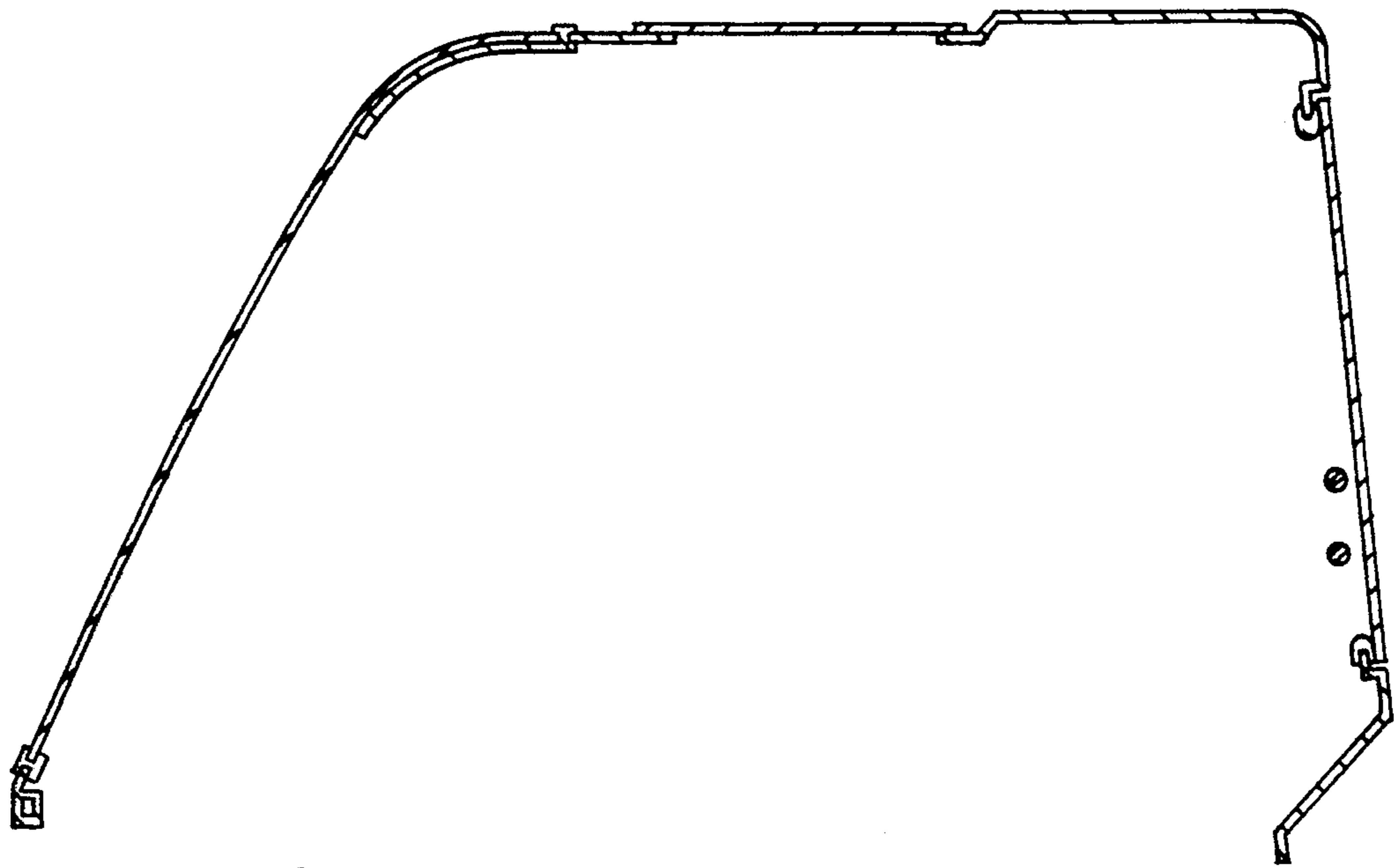


FIG. 6

FIG. 7

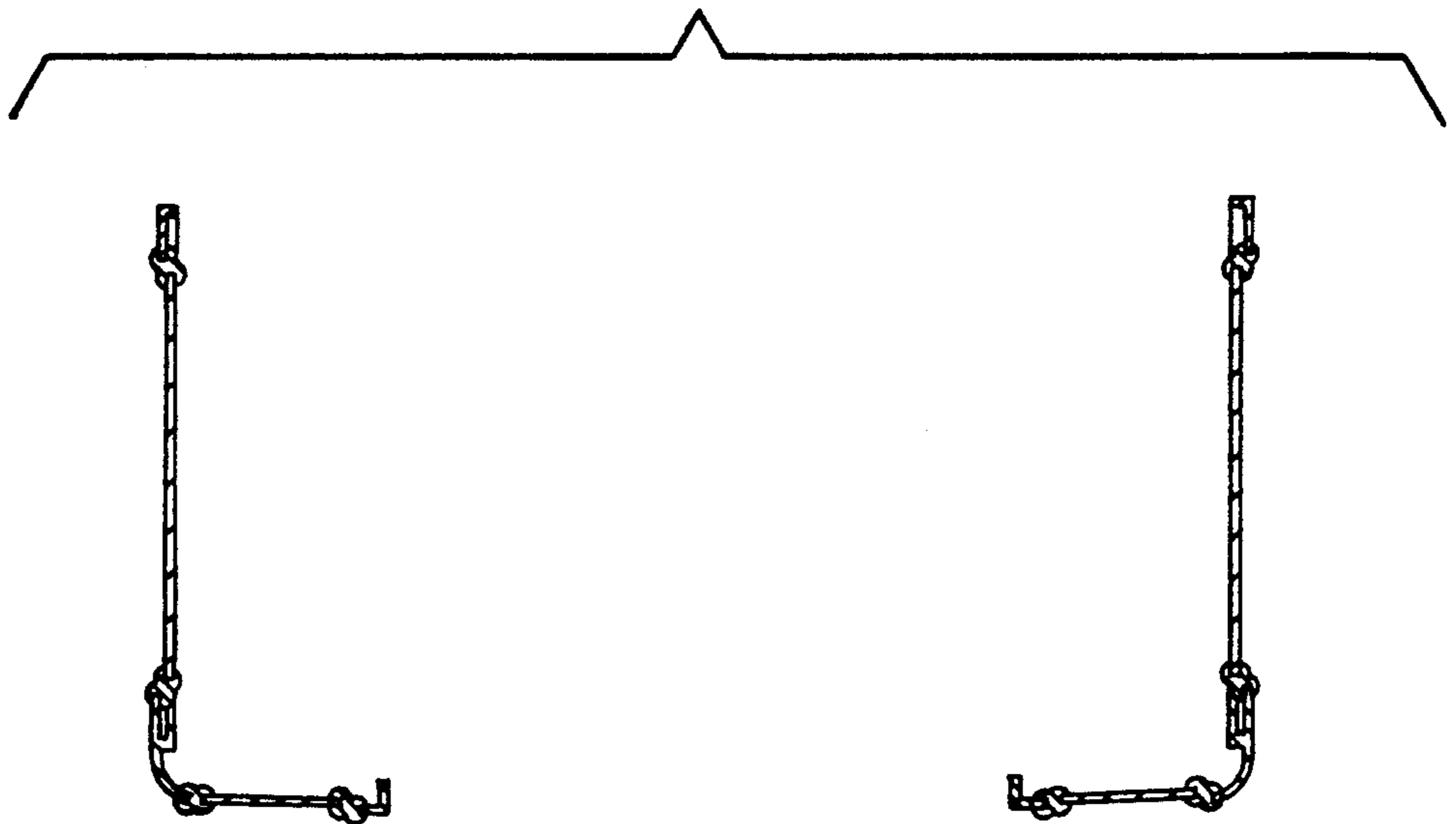


FIG. 8

