

[54] COMBINED CAR RADIO AND TAPE PLAYER

[75] Inventor: Masumi Kanari, Osaka, Japan

[73] Assignee: Sharp Corporation, Osaka, Japan

[**] Term: 14 Years

[21] Appl. No.: 350,118

[22] Filed: May 10, 1989

[30] Foreign Application Priority Data

Nov. 28, 1988 [JP] Japan 63-46319

[52] U.S. Cl. D14/157; D14/258

[58] Field of Search D14/124, 157, 188, 258, D14/299; 455/345, 346

[56] References Cited

U.S. PATENT DOCUMENTS

- D. 292,398 10/1987 Kifer et al. D14/258
- D. 292,795 11/1987 Newman D14/157
- D. 305,760 1/1990 Davidson D14/157

OTHER PUBLICATIONS

Stereo Review, Jun. 1987, p. 107, Blaupunkt Car Stereo.
Stereo Review, Oct. 1988, p. 49, Coustic Car Stereo.
Crutchfield Summer 1987 Catalog, (c) 1987, p. 25, Center—Sony XR-550R.

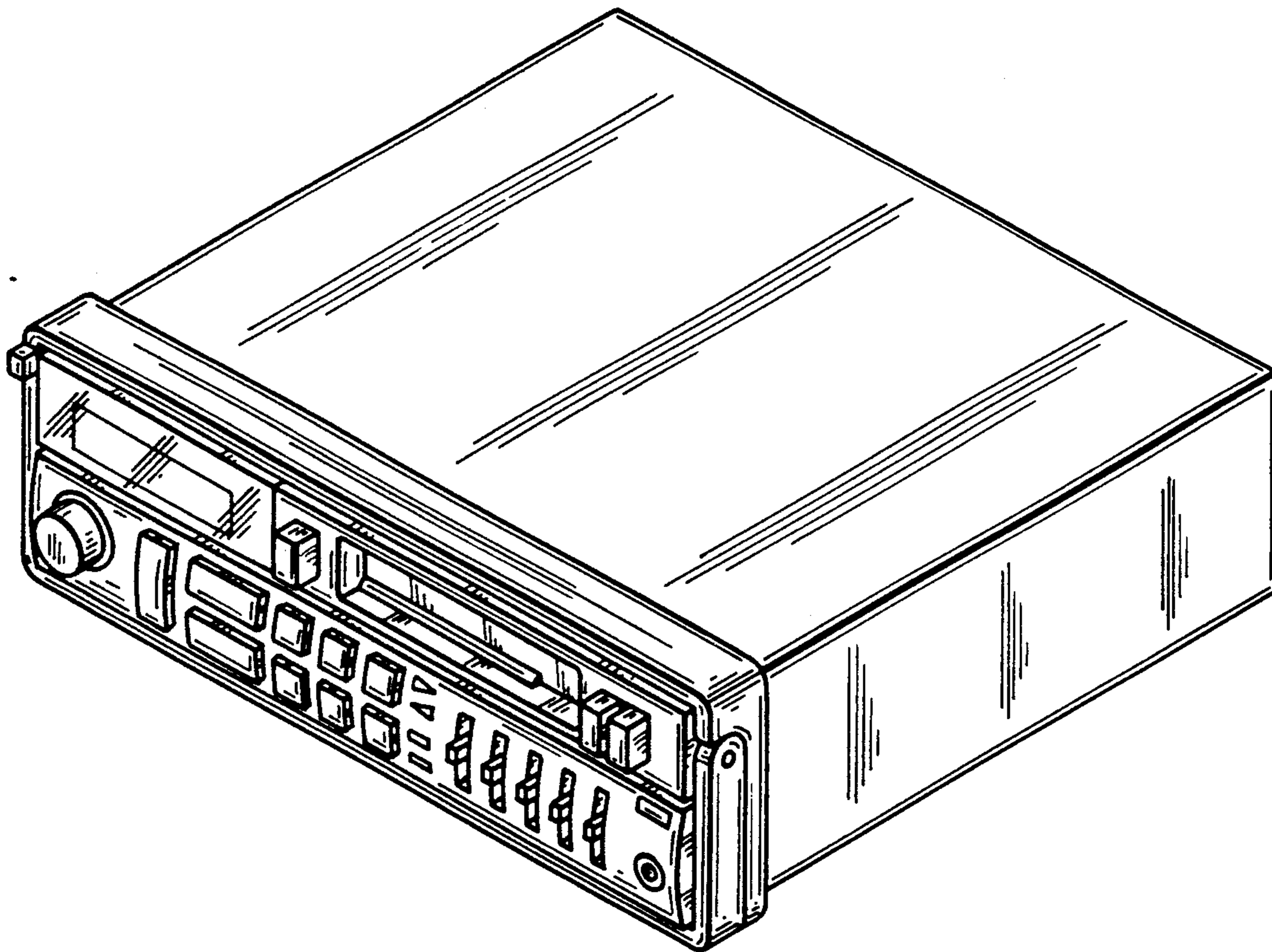
Primary Examiner—Theodore M. Shooman
Attorney, Agent, or Firm—Flehr, Hohbach, Test, Albritton & Herbert

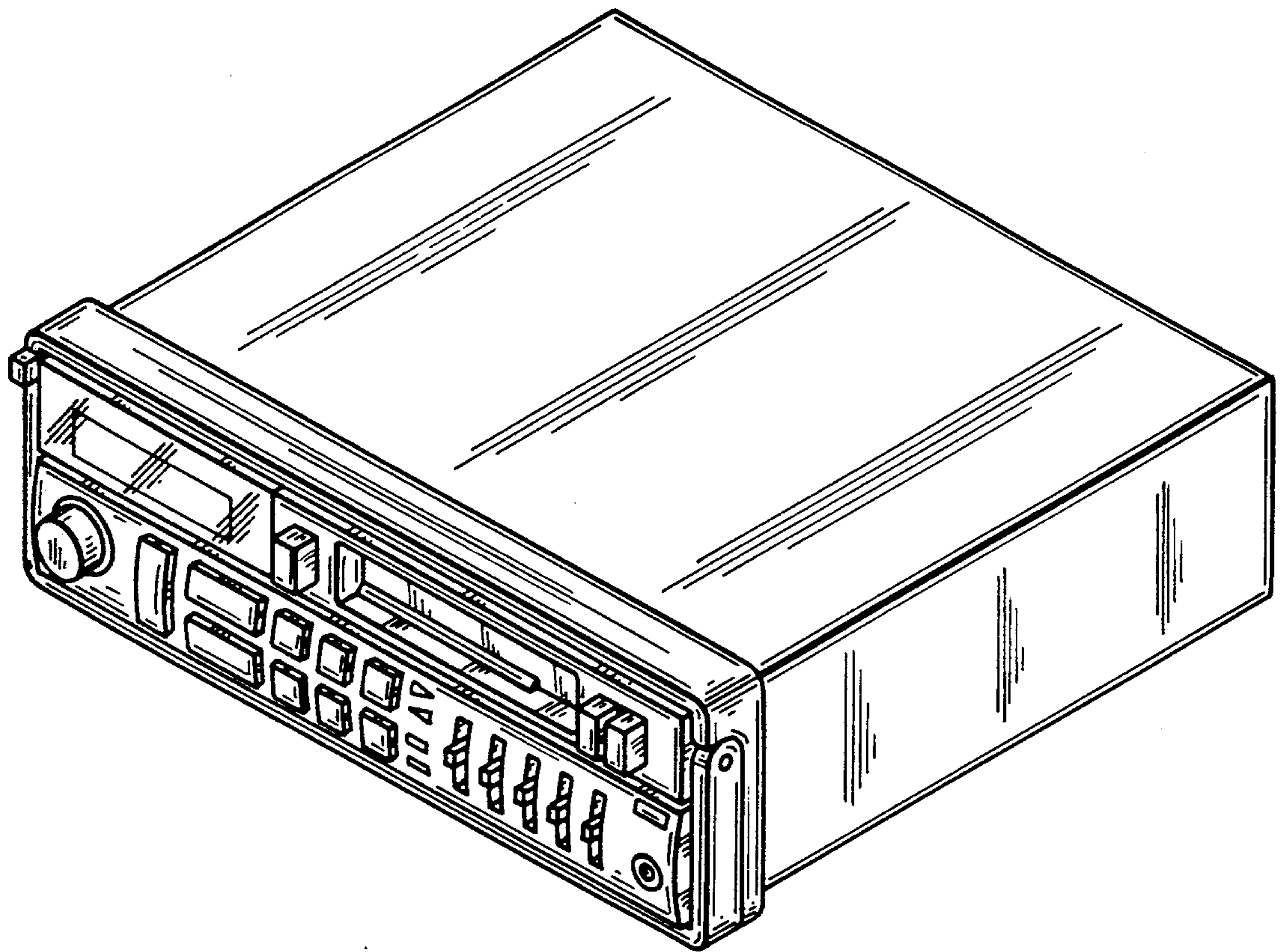
[57] CLAIM

The ornamental design for a combined car radio and tape player, as shown and described.

DESCRIPTION

FIG. 1 is a top, front and right side perspective view of a combined car radio and tape player showing my new design;
FIG. 2 is a top plan view thereof;
FIG. 3 is a bottom plan view thereof;
FIG. 4 is a front elevational view thereof;
FIG. 5 is a rear elevational view thereof;
FIG. 6 is a right side elevational view thereof; and
FIG. 7 is a left side elevational view thereof.

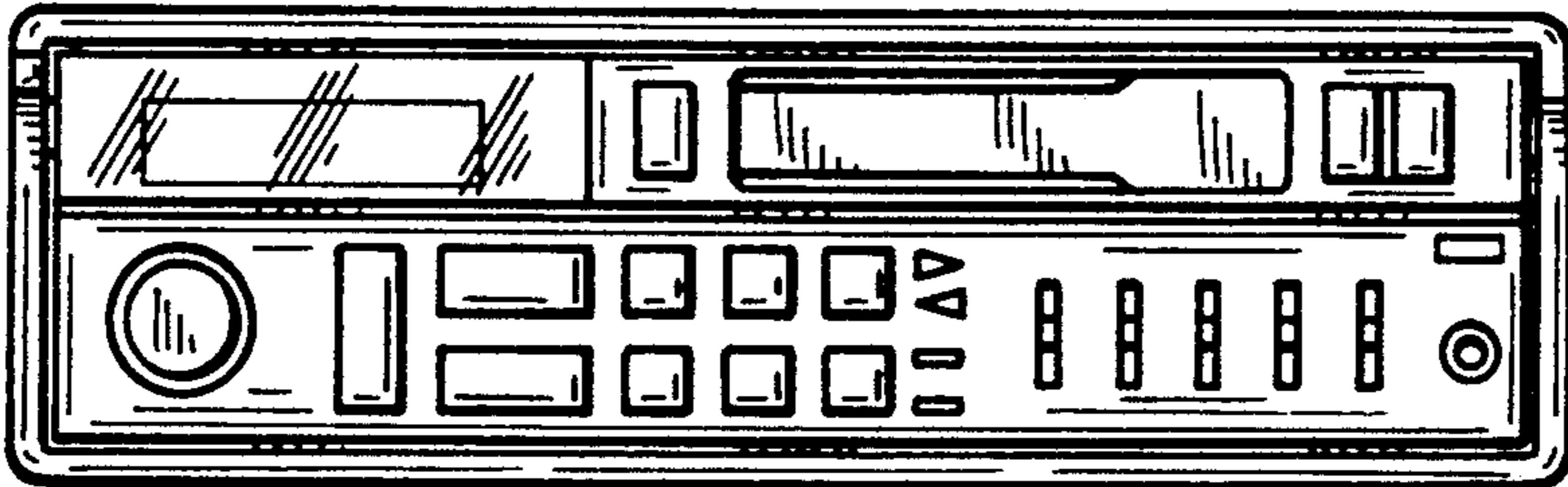




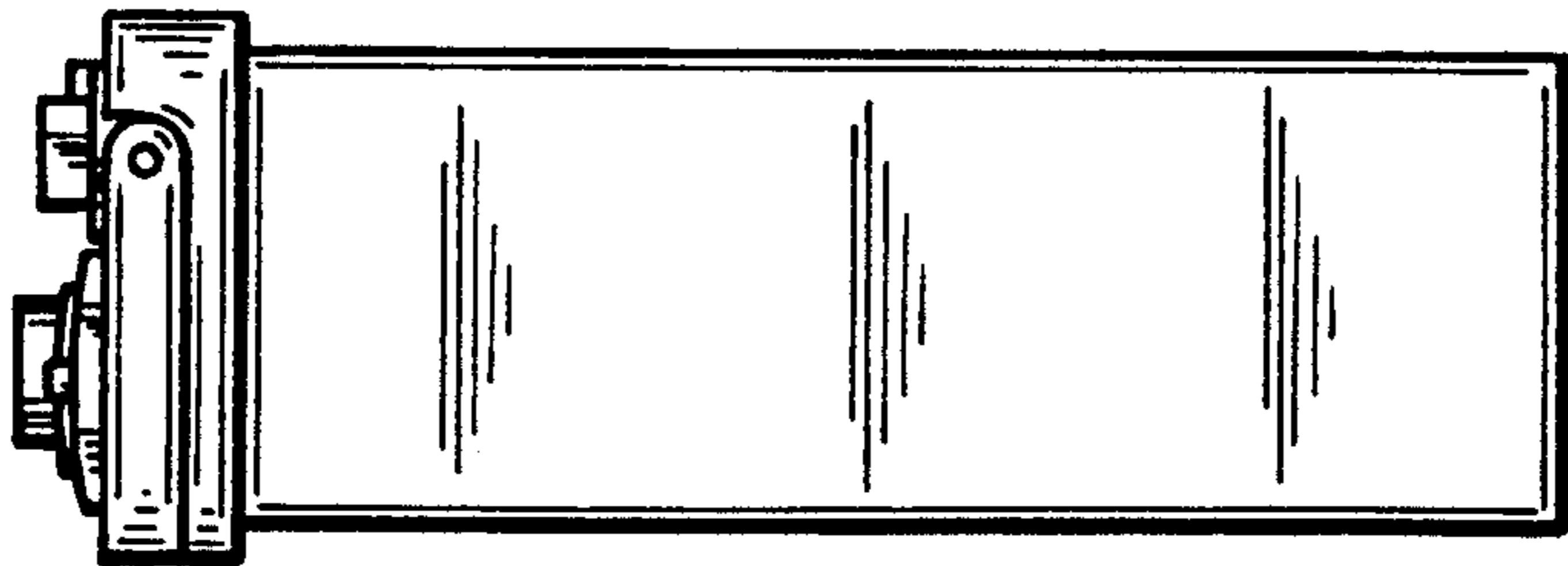
FIG_1



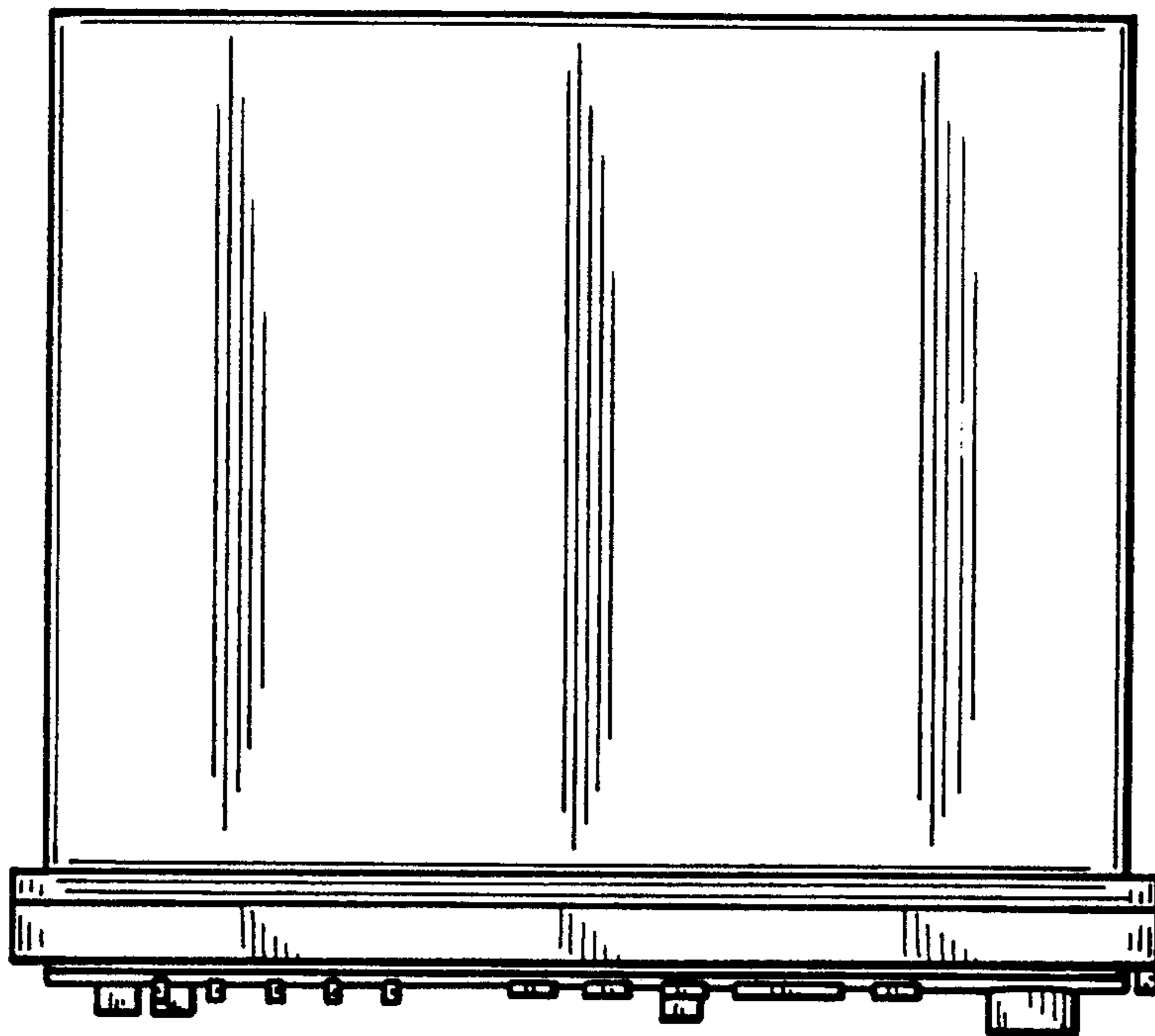
FIG_2



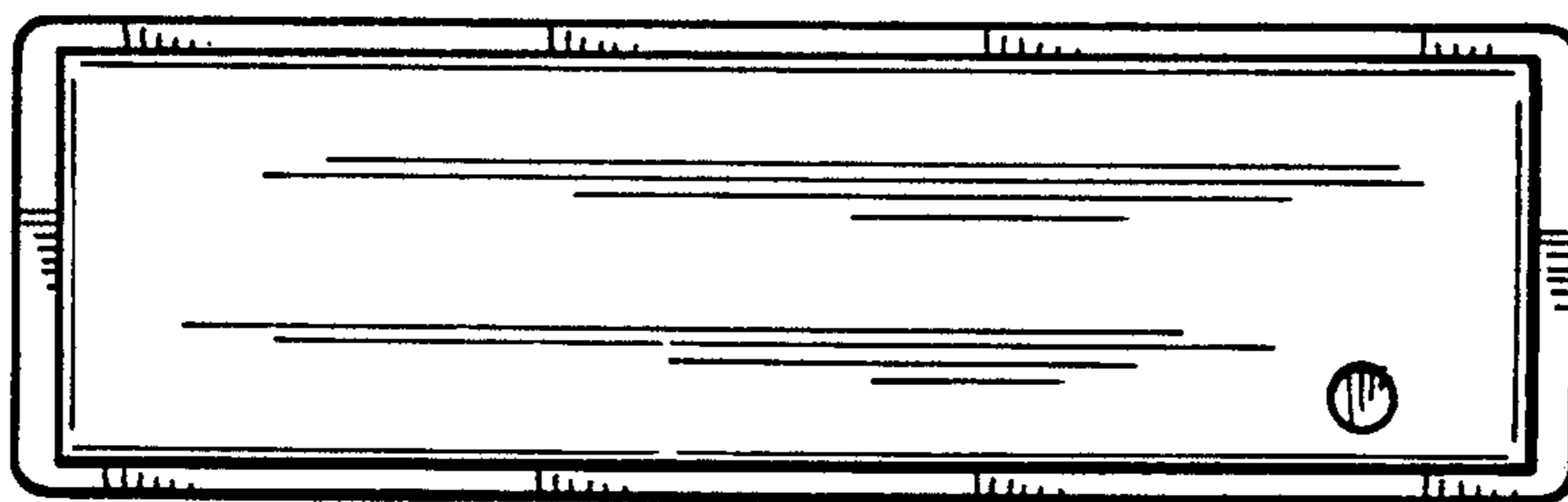
FIG_4



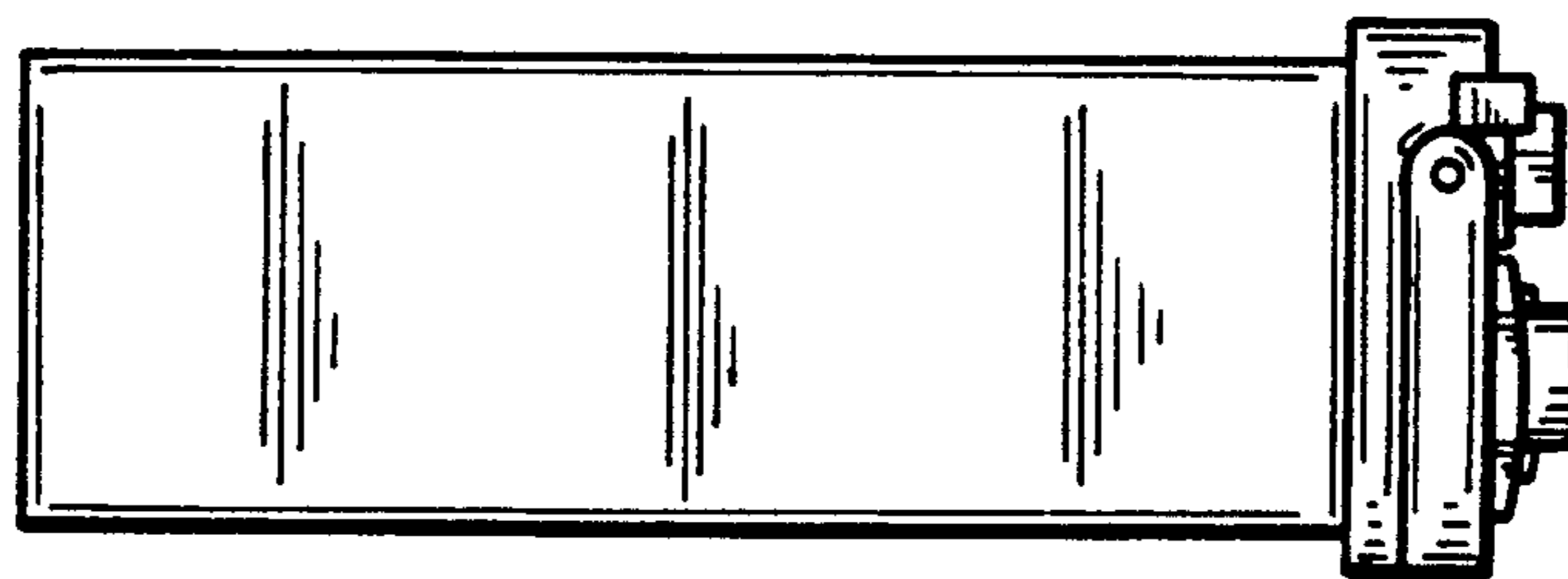
FIG_6



FIG_3



FIG_5



FIG_7