

[54] INTERRUPTER SWITCH WITH SELECTIVE CIRCUIT-ISOLATING FEATURE

[75] Inventor: Joel A. Ramos, Chicago, Ill.

[73] Assignee: S&C Electric Company, Chicago, Ill.

[*] Notice: The portion of the term of this patent subsequent to Oct. 22, 2005 has been disclaimed.

[**] Term: 14 Years

[21] Appl. No.: 331,573

[22] Filed: Mar. 30, 1989

[52] U.S. Cl. D13/160

[58] Field of Search D13/158, 160, 169, 129-132; 200/48 R, 48 P, 48 A, 48 B, 146 R

[56] References Cited

U.S. PATENT DOCUMENTS

3,163,736	12/1964	Mikos et al.	200/146 R X
3,627,939	6/1970	Myers	200/48.5 B
4,049,936	9/1977	Frink et al.	200/48 R X
4,541,033	9/1985	Saito	200/48 R X

OTHER PUBLICATIONS

G & W Interrupter on p. 12 of Electrical Systems Design 3-88.

Primary Examiner—Susan J. Lucas

Assistant Examiner—J. Sincavage

Attorney, Agent, or Firm—James V. Lapacek

[57] CLAIM

The ornamental design for an interrupter switch with selective circuit-isolating feature, as shown and described.

DESCRIPTION

FIG. 1 is a perspective view of an interrupter switch with selective circuit-isolating feature showing my new design;

FIG. 2 is a front elevational view thereof;

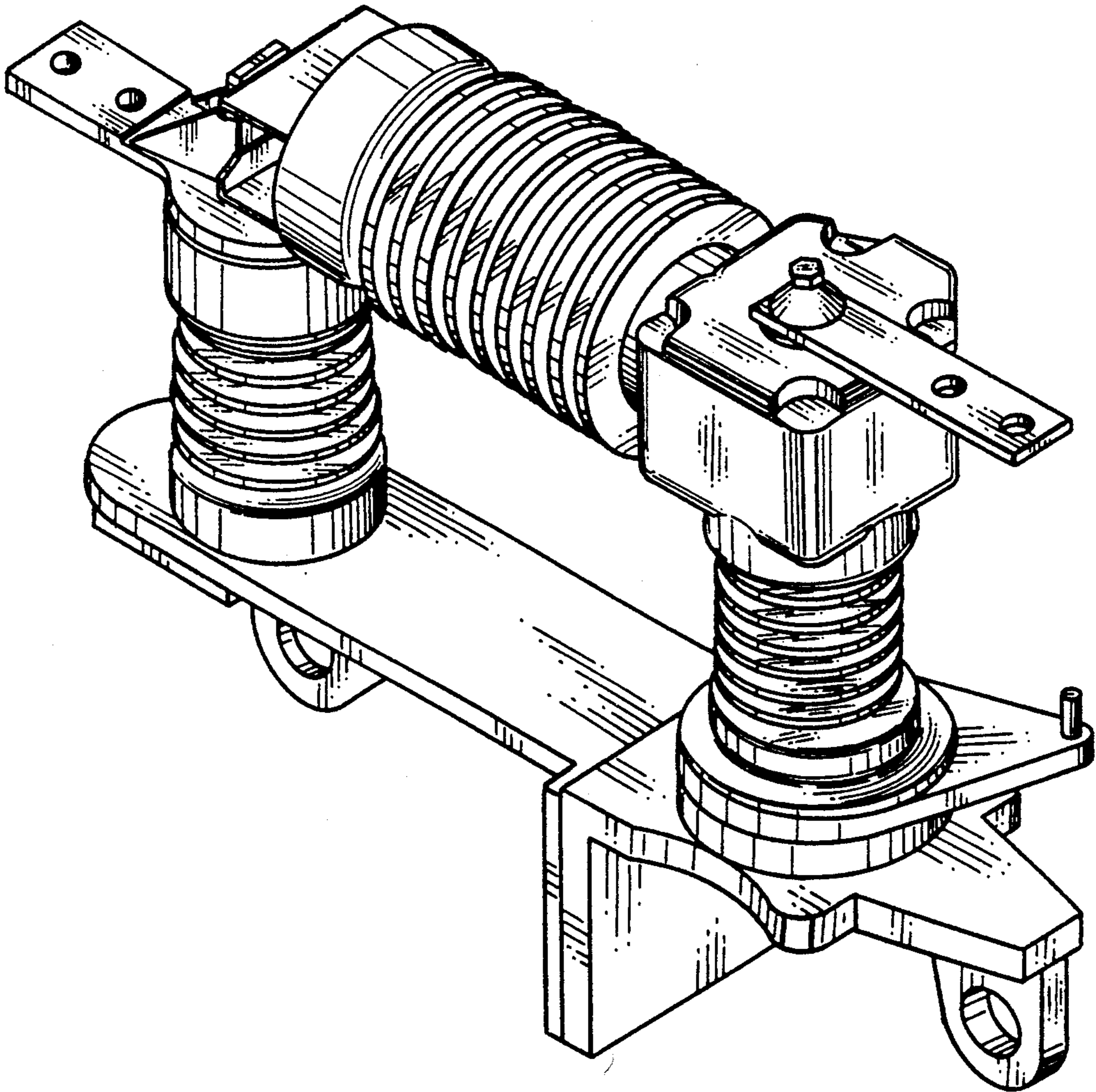
FIG. 3 is a rear elevational view thereof;

FIG. 4 is a right side elevational view thereof;

FIG. 5 is a left side elevational view thereof;

FIG. 6 is a top plan view thereof;

FIG. 7 is a bottom plan view thereof.



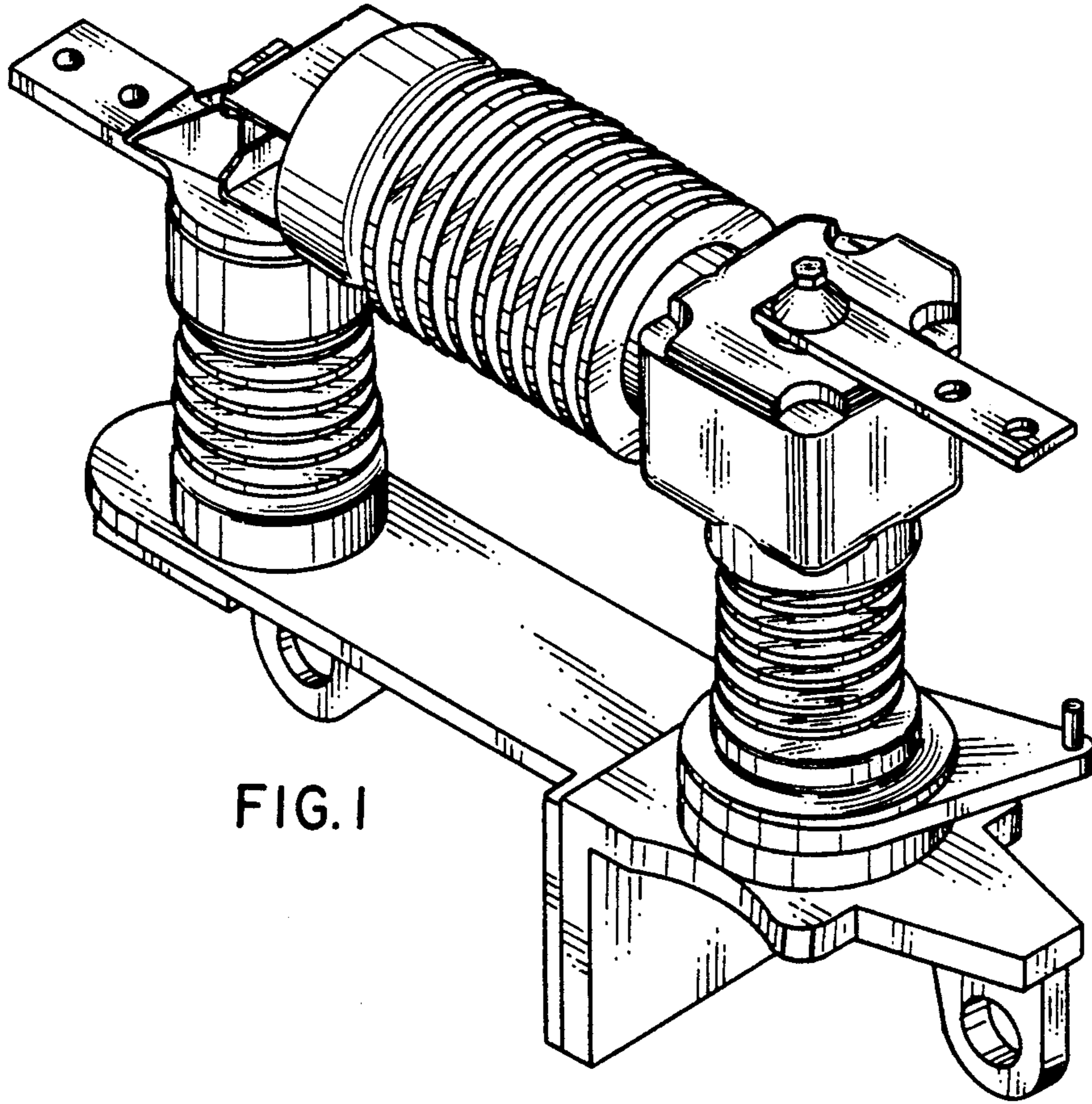


FIG. 1

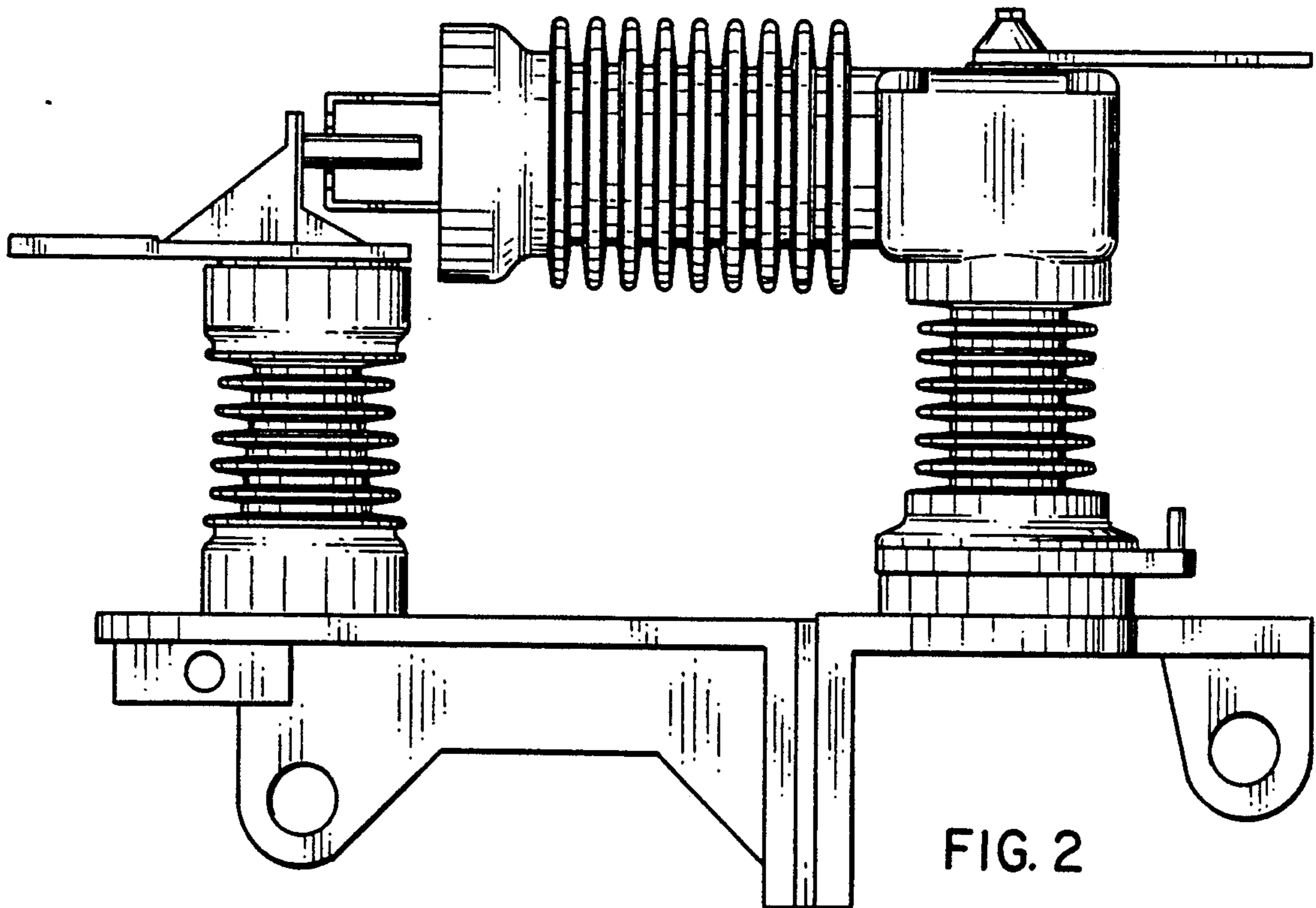


FIG. 2

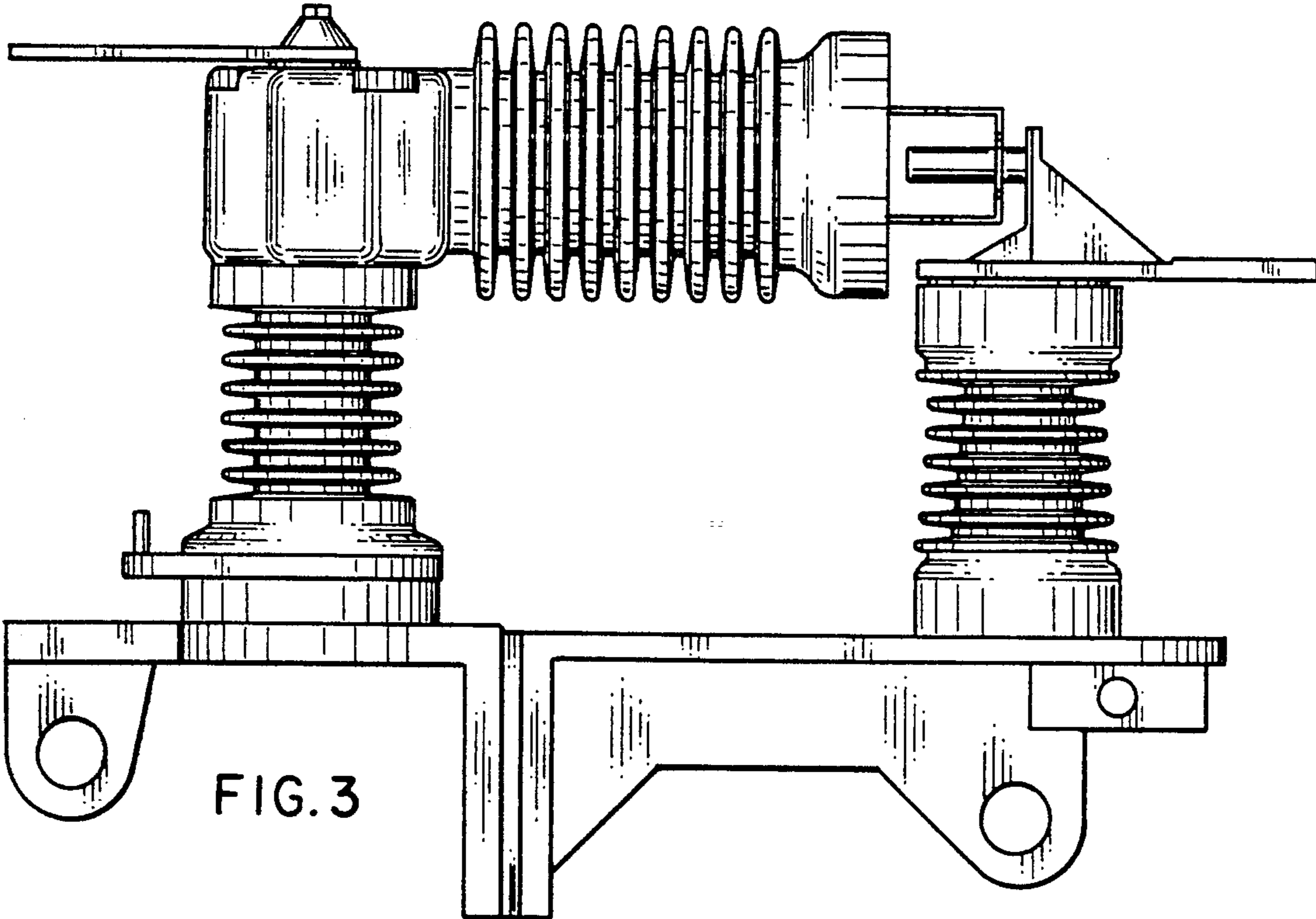


FIG. 3

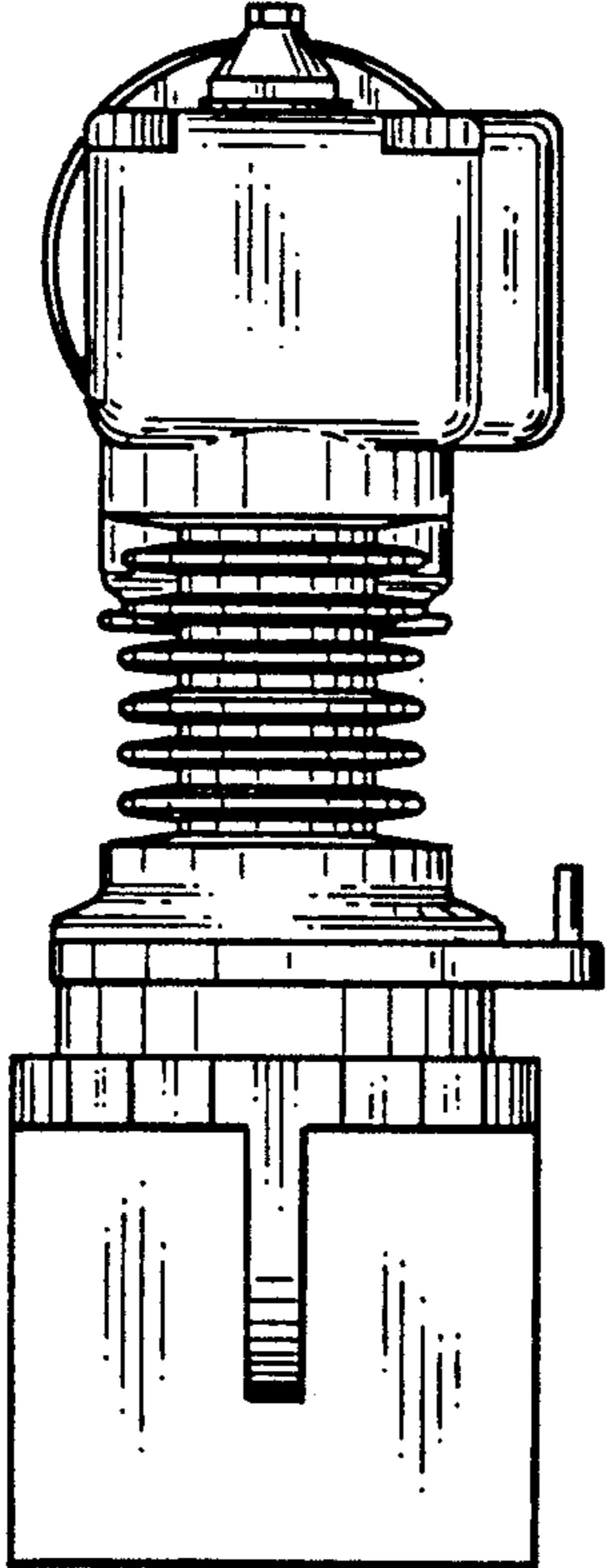


FIG. 4

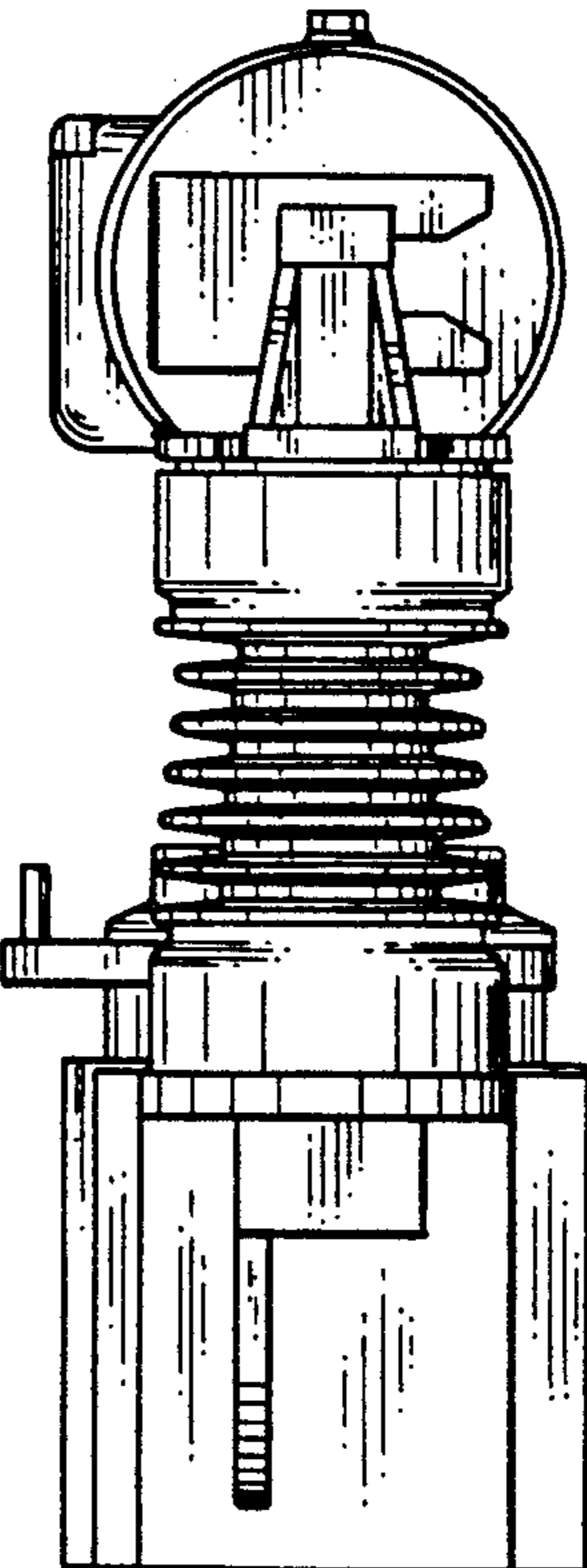


FIG. 5

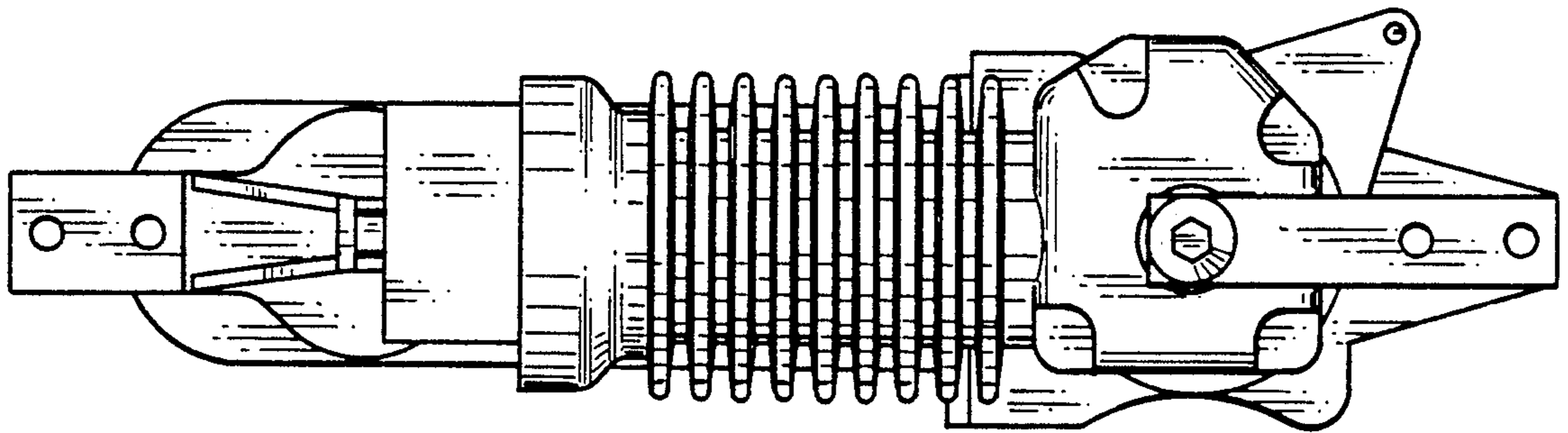


FIG. 6

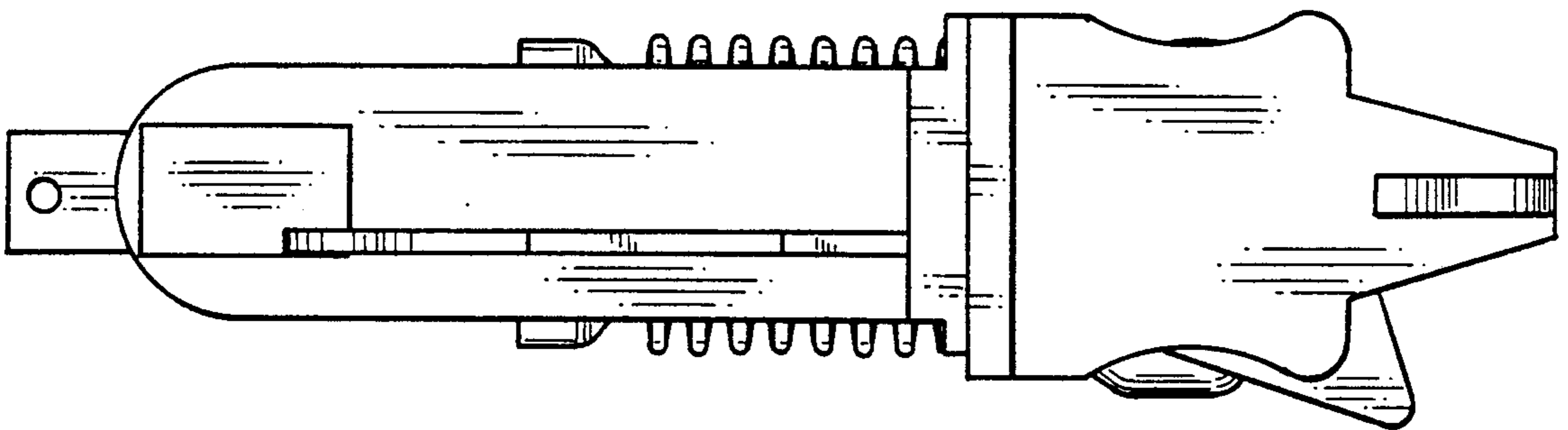


FIG. 7